

**Common Lisp The Language**

**Second Edition**

**Guy L. Steele Jr.**

*Thinking Machines Corporation  
with contributions by*

**Scott E. Fahlman**

*Carnegie-Mellon University*

**Richard P. Gabriel**

*Lucid, Inc.*

*Stanford University*

**David A. Moon**

*Symbolics, Incorporated*

**Daniel L. Weinreb**

*Symbolics, Incorporated*

*and with contributions to the second edition by*

**Kent M. Pitman**

*Symbolics, Incorporated*

**Richard C. Waters**

*Massachusetts Institute of Technology*

**Jon L White**

*Lucid, Inc.*

© 1984, 1989 Guy L. Steele Jr. All rights reserved.

To be published by Digital Press.

Would it be wonderful if, under the pressure of all these difficulties, the Convention should have been forced into some deviations from that artificial structure and regular symmetry which an abstract view of the subject might lead an ingenious theorist to bestow on a constitution planned in his closet or in his imagination?

—*James Madison, The Federalist*  
*No. 37, January 11, 1788*

# Contents

<b>1</b>	<b>Introduction</b>	<b>1</b>
1.1	Purpose . . . . .	1
1.2	Notational Conventions . . . . .	4
1.2.1	Decimal Numbers . . . . .	4
1.2.2	Nil, False, and the Empty List . . . . .	4
1.2.3	Evaluation, Expansion, and Equivalence . . . . .	5
1.2.4	Errors . . . . .	6
1.2.5	Descriptions of Functions and Other Entities . . . . .	7
1.2.6	The Lisp Reader . . . . .	10
1.2.7	Overview of Syntax . . . . .	10
<b>2</b>	<b>Data Types</b>	<b>13</b>
2.1	Numbers . . . . .	16
2.1.1	Integers . . . . .	17
2.1.2	Ratios . . . . .	18
2.1.3	Floating-Point Numbers . . . . .	19
2.1.4	Complex Numbers . . . . .	23
2.2	Characters . . . . .	24
2.2.1	Standard Characters . . . . .	25
2.2.2	Line Divisions . . . . .	26
2.2.3	Non-standard Characters . . . . .	27
2.3	Symbols . . . . .	27
2.4	Lists and Conses . . . . .	30
2.5	Arrays . . . . .	32
2.5.1	Vectors . . . . .	33
2.5.2	Strings . . . . .	34
2.5.3	Bit-Vectors . . . . .	35
2.6	Hash Tables . . . . .	35

2.7	Readtables . . . . .	36
2.8	Packages . . . . .	36
2.9	Pathnames . . . . .	36
2.10	Streams . . . . .	36
2.11	Random-States . . . . .	37
2.12	Structures . . . . .	37
2.13	Functions . . . . .	37
2.14	Unreadable Data Objects . . . . .	38
2.15	Overlap, Inclusion, and Disjointness of Types . . . . .	38
<b>3</b>	<b>Scope and Extent</b>	<b>43</b>
<b>4</b>	<b>Type Specifiers</b>	<b>51</b>
4.1	Type Specifier Symbols . . . . .	51
4.2	Type Specifier Lists . . . . .	51
4.3	Predicating Type Specifiers . . . . .	52
4.4	Type Specifiers That Combine . . . . .	53
4.5	Type Specifiers That Specialize . . . . .	54
4.6	Type Specifiers That Abbreviate . . . . .	62
4.7	Defining New Type Specifiers . . . . .	63
4.8	Type Conversion Function . . . . .	65
4.9	Determining the Type of an Object . . . . .	67
4.10	Type Upgrading . . . . .	68
<b>5</b>	<b>Program Structure</b>	<b>71</b>
5.1	Forms . . . . .	71
5.1.1	Self-Evaluating Forms . . . . .	72
5.1.2	Variables . . . . .	72
5.1.3	Special Operators . . . . .	74
5.1.4	Macros . . . . .	76
5.1.5	Function Calls . . . . .	77
5.2	Functions . . . . .	77
5.2.1	Named Functions . . . . .	78
5.2.2	Lambda-Expressions . . . . .	78
5.3	Top-Level Forms . . . . .	86
5.3.1	Defining Named Functions . . . . .	87
5.3.2	Declaring Global Variables and Named Constants . . . . .	88
5.3.3	Control of Time of Evaluation . . . . .	91

<b>6</b>	<b>Predicates</b>	<b>97</b>
6.1	Logical Values . . . . .	98
6.2	Data Type Predicates . . . . .	98
6.2.1	General Type Predicates . . . . .	98
6.2.2	Specific Data Type Predicates . . . . .	101
6.3	Equality Predicates . . . . .	106
6.4	Logical operators . . . . .	113
<b>7</b>	<b>Control Structure</b>	<b>117</b>
7.1	Constants and Variables . . . . .	118
7.1.1	Reference . . . . .	119
7.1.2	Assignment . . . . .	125
7.2	Generalized Variables . . . . .	128
7.3	Function Invocation . . . . .	151
7.4	Simple Sequencing . . . . .	153
7.5	Establishing New Variable Bindings . . . . .	154
7.6	Conditionals . . . . .	162
7.7	Blocks and Exits . . . . .	166
7.8	Iteration . . . . .	168
7.8.1	Indefinite Iteration . . . . .	168
7.8.2	General Iteration . . . . .	169
7.8.3	Simple Iteration Constructs . . . . .	173
7.8.4	Mapping . . . . .	176
7.8.5	The “Program Feature” . . . . .	178
7.9	Structure Traversal and Side Effects . . . . .	183
7.10	Multiple Values . . . . .	185
7.10.1	Constructs for Handling Multiple Values . . . . .	185
7.10.2	Rules Governing the Passing of Multiple Values . . . . .	189
7.11	Dynamic Non-Local Exits . . . . .	192
<b>8</b>	<b>Macros</b>	<b>201</b>
8.1	Macro Definition . . . . .	202
8.2	Macro Expansion . . . . .	210
8.3	Destructuring . . . . .	212
8.4	Compiler Macros . . . . .	213
8.5	Environments . . . . .	215

<b>9</b>	<b>Declarations</b>	<b>225</b>
9.1	Declaration Syntax . . . . .	225
9.2	Declaration Specifiers . . . . .	232
9.3	Type Declaration for Forms . . . . .	246
<b>10</b>	<b>Symbols</b>	<b>249</b>
10.1	The Property List . . . . .	250
10.2	The Print Name . . . . .	254
10.3	Creating Symbols . . . . .	254
<b>11</b>	<b>Packages</b>	<b>259</b>
11.1	Consistency Rules . . . . .	261
11.2	Package Names . . . . .	262
11.3	Translating Strings to Symbols . . . . .	263
11.4	Exporting and Importing Symbols . . . . .	265
11.5	Name Conflicts . . . . .	268
11.6	Built-in Packages . . . . .	271
11.7	Package System Functions and Variables . . . . .	274
<b>12</b>	<b>Numbers</b>	<b>291</b>
12.1	Precision, Contagion, and Coercion . . . . .	292
12.2	Predicates on Numbers . . . . .	295
12.3	Comparisons on Numbers . . . . .	296
12.4	Arithmetic Operations . . . . .	299
12.5	Irrational and Transcendental Functions . . . . .	302
12.5.1	Exponential and Logarithmic Functions . . . . .	303
12.5.2	Trigonometric and Related Functions . . . . .	306
12.5.3	Branch Cuts, Principal Values, and Boundary Condi- tions in the Complex Plane . . . . .	312
12.6	Type Conversions and Component Extractions on Numbers . .	360
12.7	Logical Operations on Numbers . . . . .	367
12.8	Byte Manipulation Functions . . . . .	372
12.9	Random Numbers . . . . .	375
12.10	Implementation Parameters . . . . .	379
<b>13</b>	<b>Characters</b>	<b>383</b>
13.1	Character Attributes . . . . .	383
13.2	Predicates on Characters . . . . .	385

13.3	Character Construction and Selection . . . . .	390
13.4	Character Conversions . . . . .	390
<b>14</b>	<b>Sequences</b>	<b>393</b>
14.1	Simple Sequence Functions . . . . .	398
14.2	Concatenating, Mapping, and Reducing Sequences . . . . .	400
14.3	Modifying Sequences . . . . .	404
14.4	Searching Sequences for Items . . . . .	410
14.5	Sorting and Merging . . . . .	413
<b>15</b>	<b>Lists</b>	<b>417</b>
15.1	Conses . . . . .	417
15.2	Lists . . . . .	420
15.3	Alteration of List Structure . . . . .	429
15.4	Substitution of Expressions . . . . .	430
15.5	Using Lists as Sets . . . . .	432
15.6	Association Lists . . . . .	437
<b>16</b>	<b>Hash Tables</b>	<b>441</b>
16.1	Hash Table Functions . . . . .	442
16.2	Primitive Hash Function . . . . .	447
<b>17</b>	<b>Arrays</b>	<b>449</b>
17.1	Array Creation . . . . .	449
17.2	Array Access . . . . .	454
17.3	Array Information . . . . .	455
17.4	Functions on Arrays of Bits . . . . .	460
17.5	Fill Pointers . . . . .	462
17.6	Changing the Dimensions of an Array . . . . .	464
<b>18</b>	<b>Strings</b>	<b>469</b>
18.1	String Access . . . . .	470
18.2	String Comparison . . . . .	470
18.3	String Construction and Manipulation . . . . .	473
<b>19</b>	<b>Structures</b>	<b>477</b>
19.1	Introduction to Structures . . . . .	477
19.2	How to Use Defstruct . . . . .	480
19.3	Using the Automatically Defined Constructor Function . . . . .	484

19.4	Defstruct Slot-Options . . . . .	485
19.5	Defstruct Options . . . . .	486
19.6	By-Position Constructor Functions . . . . .	493
19.7	Structures of Explicitly Specified Representational Type . . . . .	497
19.7.1	Unnamed Structures . . . . .	497
19.7.2	Named Structures . . . . .	498
19.7.3	Other Aspects of Explicitly Specified Structures . . . . .	500
<b>20</b>	<b>Evaluator</b>	<b>503</b>
20.1	Run-Time Evaluation of Forms . . . . .	503
20.2	The Top-Level Loop . . . . .	507
<b>21</b>	<b>Streams</b>	<b>511</b>
21.1	Standard Streams . . . . .	511
21.2	Creating New Streams . . . . .	514
21.3	Operations on Streams . . . . .	518
<b>22</b>	<b>Input/Output</b>	<b>523</b>
22.1	Printed Representation of Lisp Objects . . . . .	524
22.1.1	What the Read Function Accepts . . . . .	526
22.1.2	Parsing of Numbers and Symbols . . . . .	536
22.1.3	Macro Characters . . . . .	546
22.1.4	Standard Dispatching Macro Character Syntax . . . . .	554
22.1.5	The Readtable . . . . .	563
22.1.6	What the Print Function Produces . . . . .	573
22.2	Input Functions . . . . .	591
22.2.1	Input from Character Streams . . . . .	591
22.2.2	Input from Binary Streams . . . . .	601
22.3	Output Functions . . . . .	602
22.3.1	Output to Character Streams . . . . .	602
22.3.2	Output to Binary Streams . . . . .	606
22.3.3	Formatted Output to Character Streams . . . . .	606
22.4	Querying the User . . . . .	640
<b>23</b>	<b>File System Interface</b>	<b>645</b>
23.1	File Names . . . . .	646
23.1.1	Pathnames . . . . .	647
23.1.2	Case Conventions . . . . .	652



23.1.3	Structured Directories . . . . .	655
23.1.4	Extended Wildcards . . . . .	658
23.1.5	Logical Pathnames . . . . .	664
23.1.6	Pathname Functions . . . . .	674
23.2	Opening and Closing Files . . . . .	683
23.3	Renaming, Deleting, and Other File Operations . . . . .	689
23.4	Loading Files . . . . .	693
23.5	Accessing Directories . . . . .	700
<b>24</b>	<b>Miscellaneous Features</b>	<b>703</b>
24.1	The Compiler . . . . .	703
24.1.1	Compiler Diagnostics . . . . .	711
24.1.2	Compiled Functions . . . . .	712
24.1.3	Compilation Environment . . . . .	713
24.1.4	Similarity of Constants . . . . .	719
24.2	Debugging Tools . . . . .	722
24.3	Environment Inquiries . . . . .	729
24.3.1	Time Functions . . . . .	729
24.3.2	Other Environment Inquiries . . . . .	733
24.3.3	Справочные функции о среде . . . . .	733
24.4	Identity Function . . . . .	735
<b>25</b>	<b>Loop</b>	<b>737</b>
<b>26</b>	<b>Цикл loop</b>	<b>739</b>
26.1	Introduction . . . . .	739
26.2	Введение . . . . .	739
26.3	How the Loop Facility Works . . . . .	740
26.4	Как работает Loop . . . . .	740
26.5	Parsing Loop Clauses . . . . .	742
26.6	Парсинг выражений Loop . . . . .	742
26.6.1	Order of Execution . . . . .	743
26.6.2	Порядок вычисления . . . . .	743
26.6.3	Kinds of Loop Clauses . . . . .	745
26.6.4	Разновидности Loop выражений . . . . .	745
26.6.5	Loop Syntax . . . . .	750
26.6.6	Синтаксис Loop . . . . .	750
26.7	User Extensibility . . . . .	752

26.8	Пользовательские расширения . . . . .	752
26.9	Loop Constructs . . . . .	752
26.10	Конструкции Loop . . . . .	752
26.11	Iteration Control . . . . .	754
26.12	Управление итерациями . . . . .	754
26.13	End-Test Control . . . . .	766
26.14	Проверка завершения . . . . .	766
26.15	Value Accumulation . . . . .	770
26.16	Variable Initializations . . . . .	776
26.17	Инициализация переменных . . . . .	776
26.18	Conditional Execution . . . . .	780
26.19	Условное выполнение . . . . .	780
26.20	Unconditional Execution . . . . .	786
26.21	Безусловное выполнение . . . . .	786
26.22	Miscellaneous Features . . . . .	789
26.23	Дополнительные возможности . . . . .	789
	26.23.1 Data Types . . . . .	790
	26.23.2 Типы данных . . . . .	790
	26.23.3 Destructuring . . . . .	791
<b>27</b>	<b>Pretty Printing</b>	<b>797</b>
27.1	Introduction . . . . .	797
27.2	Pretty Printing Control Variables . . . . .	798
27.3	Dynamic Control of the Arrangement of Output . . . . .	799
27.4	Format Directive Interface . . . . .	812
27.5	Compiling Format Control Strings . . . . .	815
27.6	Pretty Printing Dispatch Tables . . . . .	816
<b>28</b>	<b>Common Lisp Object System</b>	<b>821</b>
28.1	Programmer Interface Concepts . . . . .	821
	28.1.1 Error Terminology . . . . .	822
	28.1.2 Classes . . . . .	825
	28.1.3 Inheritance . . . . .	830
	28.1.4 Integrating Types and Classes . . . . .	833
	28.1.5 Determining the Class Precedence List . . . . .	835
	28.1.6 Generic Functions and Methods . . . . .	838
	28.1.7 Method Selection and Combination . . . . .	845
	28.1.8 Meta-objects . . . . .	853

28.1.9	Object Creation and Initialization . . . . .	854
28.1.10	Redefining Classes . . . . .	864
28.1.11	Changing the Class of an Instance . . . . .	867
28.1.12	Reinitializing an Instance . . . . .	869
28.2	Functions in the Programmer Interface . . . . .	869
<b>29</b>	<b>Conditions</b>	<b>923</b>
29.1	Introduction . . . . .	923
29.2	Changes in Terminology . . . . .	925
29.3	Survey of Concepts . . . . .	926
29.3.1	Signaling Errors . . . . .	926
29.3.2	Trapping Errors . . . . .	929
29.3.3	Handling Conditions . . . . .	930
29.3.4	Object-Oriented Basis of Condition Handling . . . . .	931
29.3.5	Restarts . . . . .	933
29.3.6	Anonymous Restarts . . . . .	934
29.3.7	Named Restarts . . . . .	936
29.3.8	Restart Functions . . . . .	937
29.3.9	Comparison of Restarts and Catch/Throw . . . . .	937
29.3.10	Generalized Restarts . . . . .	939
29.3.11	Interactive Condition Handling . . . . .	940
29.3.12	Serious Conditions . . . . .	940
29.3.13	Non-Serious Conditions . . . . .	941
29.3.14	Condition Types . . . . .	942
29.3.15	Signaling Conditions . . . . .	942
29.3.16	Resignaling Conditions . . . . .	943
29.3.17	Condition Handlers . . . . .	943
29.3.18	Printing Conditions . . . . .	944
29.4	Program Interface to the Condition System . . . . .	946
29.4.1	Signaling Conditions . . . . .	946
29.4.2	Assertions . . . . .	949
29.4.3	Exhaustive Case Analysis . . . . .	952
29.4.4	Handling Conditions . . . . .	955
29.4.5	Defining Conditions . . . . .	958
29.4.6	Creating Conditions . . . . .	961
29.4.7	Establishing Restarts . . . . .	962
29.4.8	Finding and Manipulating Restarts . . . . .	971
29.4.9	Warnings . . . . .	973

29.4.10 Restart Functions . . . . .	974
29.4.11 Debugging Utilities . . . . .	975
29.5 Predefined Condition Types . . . . .	977
<b>30 Metaobject Protocol</b>	<b>987</b>
30.1 Concepts . . . . .	987
30.1.1 Introduction . . . . .	987
30.1.2 Введение . . . . .	987
30.1.3 Inheritance Structure of Metaobject Classes . . . . .	993
30.1.4 Processing of the User Interface Macros . . . . .	998
30.1.5 Subprotocols . . . . .	1008
30.2 Generic Functions and Methods Dictionary . . . . .	1017
30.2.1 Initialization of Class Metaobjects . . . . .	1044
30.2.2 Initialization of Generic Function Metaobjects . . . . .	1048
30.2.3 Initialization of Method Metaobjects . . . . .	1051
30.2.4 Initialization of Slot Definition Metaobjects . . . . .	1054
30.2.5 Readers for Class Metaobjects . . . . .	1062
30.2.6 Readers for Generic Function Metaobjects . . . . .	1065
30.2.7 Readers for Method Metaobjects . . . . .	1067
30.2.8 Readers for Slot Definition Metaobjects . . . . .	1069
<b>Bibliography</b>	<b>1096</b>
<b>Index</b>	<b>1097</b>
X3J13 Votes . . . . .	1097
Symbols . . . . .	1101

# Preface SECOND EDITION

Common Lisp has succeeded. Since publication of the first edition of this book in 1984, many implementors have used it as a *de facto* standard for Lisp implementation. As a result, it is now much easier to port large Lisp programs from one implementation to another. Common Lisp has proved to be a useful and stable platform for rapid prototyping and systems delivery in artificial intelligence and other areas. With experience gained in using Common Lisp for so many applications, implementors found no shortage of opportunities for innovation. One of the important characteristics of Lisp is its good support for experimental extension of the language; while Common Lisp has been stable, it has not stagnated.

The 1984 definition of Common Lisp was imperfect and incomplete. In some cases this was inadvertent: some odd boundary situation was overlooked and its consequences not specified, or different passages were in conflict, or some property of Lisp was so well-known and traditionally relied upon that I forgot to write it down. In other cases the informal committee that was defining Common Lisp could not settle on a solution, and therefore agreed to leave some important aspect of the language unspecified rather than choose a less than satisfactory definition. An example is error handling; 1984 Common Lisp had plenty of ways to signal errors but no way for a program to trap or process them.

Over the next year I collected reports of errors in the book and gaps in the language. In December 1985, a group of implementors and users met in Boston to discuss the state of Common Lisp. I prepared two lists for this meeting, one of errata and clarifications that I thought would be relatively uncontroversial (boy, was I wrong!) and one of more substantial changes I thought should be considered and perhaps voted upon. Others also brought proposals to discuss. It became clear to everyone that there was now enough interest in Common Lisp, and dependence on its stability, that a more formal

mechanism was needed for managing changes to the language.

This realization led to the formation of X3J13, a subcommittee of ANSI committee X3, to produce a formal American National Standard for Common Lisp. That process is nearing completion. X3J13 has completed the bulk of its technical work in rectifying the 1984 definition and codifying extensions to that definition that have received widespread use and approval. A draft standard is now being prepared; it will probably be available in 1990. There will then be a period (required by ANSI) for public review. X3J13 must then consider the comments it receives and respond appropriately. If the comments result in substantial changes to the draft standard, multiple public review periods may be required before the draft can be approved as an American National Standard.

Fortunately, X3J13 has done an outstanding job of documenting its work. For every change that came to a formal vote, a document was prepared that described the problem to be solved and one or more solutions. For each solution there is a detailed proposal for changing the language; a rationale; test cases that distinguish the proposal from the status quo or from other proposals for solving that problem; discussions of current practice, cost to implementors, cost to users, cost of not adopting the proposal, benefits of adoption, aesthetic criteria; and any relevant informal discussion that may have preceded creation of the formal proposal. All of these proposal documents were made available on-line as well as in paper form. By my count, by June 1989 some 186 such proposals were approved as language changes. (This count does not include many proposals that came before the committee but were rejected.)

The purpose of this second edition is to bridge the gap between the first edition and the forthcoming ANSI standard for Common Lisp. Because of the requirement for formal public review, it will be some time yet before the ANSI standard is final. This book in no way resembles the forthcoming standard (which is being written independently by Kathy Chapman of Digital Equipment Corporation with assistance from the X3J13 Drafting Subcommittee).

I have incorporated into this second edition a great deal of material based on the votes of X3J13, in order to give the reader a picture of where the language is heading. My purpose here is not simply to quote the X3J13 documents verbatim but to paraphrase them and relate them to the structure of the first edition. A single vote by X3J13 may be discussed in many parts of this book, and a single passage of this book may be affected by many of

the votes.

I wish to be very clear: this book is not an official document of X3J13, though it is based on publicly available material produced by X3J13. In no way does this book constitute a definitive description of the forthcoming ANSI standard. The committee's decisions have been remarkably stable (it has rescinded earlier decisions only two or three times), and I do not expect radical changes in direction. Nevertheless, it is quite probable that the draft standard will be substantively revised in response to editorial review or public comment. I have therefore reported here on the actions of X3J13 not to inscribe them in stone, but to make clear how the language of the first edition is likely to change. I have tried to be careful in my wording to avoid saying "the language has been changed" and to state simply that "X3J13 voted at such-and-so time to make the following change."

Until the day when an official ANSI Common Lisp standard emerges, it is likely that the 1984 definition of Common Lisp will continue to be used widely. This book has been designed to be used as a reference both to the 1984 definition and to the language as modified by the actions of X3J13.

It contains the entire text of the first edition of *Common Lisp: The Language*, with corrections and minor editorial changes; however, more than half of the material in this edition is new. All new material is identified by solid lines in the left margin. Dotted lines in the left margin indicate material from the first edition that applies to the 1984 definition but that has been modified by a vote of X3J13. Modifications to these outmoded passages are explained by preceding or following text (which will have a solid line in the margin). In summary:

- To use the 1984 language definition, read all material that does not have a solid line in the margin.
- To use the updated language definition, read everything, but be wary of material with a dotted line in the margin.

At the end of the book is an index of the X3J13 votes, ordered by the committee's internal code names (included to ease cross-reference to the X3J13 documents, which may be useful during the public review periods). References to this list of votes appear as numbers in angle brackets; thus "<14>" refers to the vote on issue number 14, whereas "[14]" refers to reference 14 in the bibliography.

I have kept changes to the wording of the first-edition material to a minimum. Obvious spelling and typographical errors have been corrected, and the entire text has been edited to a uniform style of spelling and punctuation. (Note in particular that the first edition used the spelling “signalling” but this edition, in deference to the style decision of the X3J13 Drafting Subcommittee, uses “signaling.”) A few minor changes were made to accommodate typographical or layout constraints. (For example, the word “also” has been deleted from the first sentence of chapter 1, partly to make that paragraph look better and partly to allow a better page break at the bottom of page 2.) In a very few cases the first edition contained substantive errors that I could not in good conscience correct silently; these have been flagged by paragraphs beginning with the phrase *Notice of correction*.

The chapter and section numbering of this edition matches that of the first edition, with the exception that a new section 7.9 has been interpolated. Four new chapters (26–29) describe substantial changes approved by X3J13: an extended **loop** macro, a pretty printer interface, the Common Lisp Object System, and the Common Lisp Condition System.

X3J13, in the course of its work, formed a subcommittee to study whether additional means of iteration should be standardized for use in Common Lisp, for a great deal of existing practice in this area was not included in the first edition because of lack of agreement in 1984. The X3J13 Iteration Subcommittee produced reports on three possible facilities. One (**loop**) was approved for inclusion in the forthcoming draft standard and is described in chapter 26.

X3J13 expressed interest in the other two approaches (series and generators), but the consensus as of January 1989 was that these other approaches were not yet sufficiently mature or in sufficiently widespread use to warrant inclusion in the draft Common Lisp standard at that time. However, the subcommittee was directed to continue work on these approaches and X3J13 is open to the possibility of standardizing them at a later date. Please note that I do not wish to prejudge the question of whether X3J13 will ever choose to make the other two proposals the subject of standardization. Nevertheless, I have chosen to include them in the second edition, in cooperation with Dr. Richard C. Waters, as appendices ?? and ??, in order to make these ideas available to the Lisp community. In my judgement these proposals address an area of language design not otherwise covered by Common Lisp and are likely to have practical value even if they are never adopted as part of a formal standard.



Some new material in this book has nothing to do with the work of X3J13. In many places I have added explanations, clarifications, new examples, warnings, and tips on writing portable code. Appendix ?? contains a piece of code that may help in understanding the backquote syntax.

This second edition, unlike the first edition, also includes a few diagrams to pep up the text. However, there are absolutely no new jokes, and very few outright lies.



# Acknowledgments SECOND EDITION

First and foremost, I must thank the many people in the Lisp community who have worked so hard to specify, implement, and use Common Lisp. Some of these have volunteered many hours of effort as members of ANSI committee X3J13. Others have made presentations or proposals to X3J13, and yet others have sent suggestions and corrections to the first edition directly to me. This book builds on their efforts as well as mine.

An early draft of this book was made available to all members of X3J13 for their criticism. I have also worked with the many public documents that have been written during the course of the committee's work (which is not over yet). It is my hope that this book is an accurate reflection of the committee's actions as of October 1989. Nevertheless, any errors or inconsistencies are my responsibility. The fact that I have made a draft available to certain persons, received feedback from them, or thanked them in these acknowledgments does not necessarily imply that any one of them or any of the institutions with which they are affiliated endorse this book or anything of its contents.

Digital Press and I gave permission to X3J13 to use any or all parts of the first edition in the production of an ANSI Common Lisp standard. Conversely, in writing this book I have worked with publicly available documents produced by X3J13 in the course of its work, and in some cases as a courtesy have obtained the consent of the authors of those documents to quote them extensively. This common ancestry will result in similarities between this book and the emerging ANSI Common Lisp standard (that is the purpose, after all). Nevertheless, this second edition has no official connection whatsoever with X3J13 or ANSI, nor is it endorsed by either of those institutions.

The following persons have been members of X3J13 or involved in its activities at one time or another: Jim Allard, Dave Andre, Jim Antonisse,

William Arbaugh, John Aspinall, Bob Balzer, Gerald Barber, Richard Barber, Kim Barrett, David Bartley, Roger Bate, Alan Bawden, Michael Beck-erle, Paul Beiser, Eric Benson, Daniel Bobrow, Mary Boelk, Skona Brit-tain, Gary Brown, Tom Bucken, Robert Buckley, Gary Byers, Dan Carnese, Bob Cassels, Jérôme Chailloux, Kathy Chapman, Thomas Christaller, Will Clinger, Peter Coffee, John Cugini, Pavel Curtis, Doug Cutting, Christo-pher Dabrowski, Jeff Dalton, Linda DeMichiel, Fred Discenzo, Jerry Dug-gan, Patrick Dussud, Susan Ennis, Scott Fahlman, Jogn Fitch, John Foder-aro, Richard Gabriel, Steven Gadol, Nick Gall, Oscar Garcia, Robert Gian-siracusa, Brad Goldstein, David Gray, Richard Greenblatt, George Had-den, Steve Hafflich, Dave Henderson, Carl Hewitt, Carl Hoffman, Cheng Hu, Masayuki Ida, Takayasu Ito, Sonya Keene, James Kempf, Gregory Jennings, Robert Kerns, Gregor Kiczales, Kerry Kimbrough, Dieter Kolb, Timothy Koschmann, Ed Krall, Fritz Kunze, Aaron Larson, Joachim Laubsch, Kevin Layer, Michael Levin, Ray Lim, Thom Linden, David Loeffler, Sandra Loose-more, Barry Margolin, Larry Masinter, David Matthews, Robert Mathis, John McCarthy, Chris McConnell, Rob McLachlan, Jay Mendelsohn, Martin Mikelsons, Tracey Miles, Richard Mlyarnik, David Moon, Jarl Nilsson, Leo Noordhulsen, Ronald Ohlander, Julian Padget, Jeff Peck, Jan Pedersen, Bob Pellegrino, Crispin Perdue, Dan Pierson, Kent Pitman, Dexter Pratt, Chris-tian Quiennec, B. Raghavan, Douglas Rand, Jonathan Rees, Chris Richard-son, Jeff Rininger, Walter van Roggen, Jeffrey Rosenking, Don Sakahara, William Scherlis, David Slater, James Smith, Alan Snyder, Angela Sotan, Richard Soley, S. Sridhar, Bill St. Clair, Philip Stanhope, Guy Steele, Herbert Stoyan, Hiroshi Torii, Dave Touretzky, Paul Tucker, Rick Tucker, Thomas Turba, David Unietis, Mary Van Deusen, Ellen Waldrum, Richard Waters, Allen Wechsler, Mark Wegman, Jon L White, Skef Wholey, Alexis Wieland, Martin Yonke, Bill York, Taiichi Yuasa, Gail Zacharias, and Jan Zubkoff.

I must express particular gratitude and appreciation to a number of people for their exceptional efforts:

Larry Masinter, chairman of the X3J13 Cleanup Subcommittee, devel-oped the standard format for documenting all proposals to be voted upon. The result has been an outstanding technical and historical record of all the actions taken by X3J13 to rectify and improve Common Lisp.

Sandra Loosemore, chairwoman of the X3J13 Compiler Subcommittee, produced many proposals for clarifying the semantics of the compilation pro-cess. She has been a diligent stickler for detail and has helped to clarify many parts of Common Lisp left vague in the first edition.

Jon L White, chairman of the X3J13 Iteration Subcommittee, supervised the consideration of several controversial proposals, one of which (**loop**) was eventually adopted by X3J13.

Thom Linden, chairman of the X3J13 Character Subcommittee, led a team in grappling with the difficult problem of accommodating various character sets in Common Lisp. One result is that Common Lisp will be more attractive for international use.

Kent Pitman, chairman of the X3J13 Error Handling Subcommittee, plugged the biggest outstanding hole in Common Lisp as described by the first edition.

Kathy Chapman, chairwoman of the X3J13 Drafting Subcommittee, and principal author of the draft standard, has not only written a great deal of text but also insisted on coherent and consistent terminology and pushed the rest of the committee forward when necessary.

Robert Mathis, chairman of X3J13, has kept administrative matters flowing smoothly during technical controversies.

Mary Van Deusen, secretary of X3J13, kept excellent minutes that were a tremendous aid to me in tracing the history of a number of complex discussions.

Jan Zubkoff, X3J13 meeting and mailing organizer, knows what's going on, as always. She is a master of organization and of physical arrangements. Moreover, she once again pulled me out of the fire at the last minute.

Dick Gabriel, international representative for X3J13, has kept information flowing smoothly between Europe, Japan, and the United States. He provided a great deal of the energy and drive for the completion of the Common Lisp Object System specification. He has also provided me with a great deal of valuable advice and has been on call for last-minute consultation at all hours during the final stages of preparation for this book.

David Moon has consistently been a source of reason, expert knowledge, and careful scrutiny. He has read the first edition and the X3J13 proposals perhaps more carefully than anyone else.

David Moon, Jon L White, Gregor Kiczales, Robert Mathis, Mary Boelk provided extensive feedback on an early draft of this book. I thank them as well as the many others who commented in one way or another on the draft.

I wish to thank the authors of large proposals to X3J13 that have made material available for more or less wholesale inclusion in this book as distinct chapters. This material was produced primarily for the use of X3J13 in its work. It has been included here on a non-exclusive basis with the consent of

the authors.

The author of the chapter on **loop** (Jon L White) notes that the chapter is based on documentation written at Lucid, Inc., by Molly M. Miller, Sonia Orin Lyris, and Kris Dinkel. Glenn Burke, Scott Fahlman, Colin Meldrum, David Moon, Cris Perdue, and Dick Waters contributed to the design of the **loop** macro.

The authors of the Common Lisp Object System specification (Daniel G. Bobrow, Linda G. DeMichiel, Richard P. Gabriel, Sonya E. Keene, Gregor Kiczales, and David A. Moon) wish to thank Patrick Dussud, Kenneth Kahn, Jim Kempf, Larry Masinter, Mark Stefik, Daniel L. Weinreb, and Jon L White for their contributions.

The author of the chapter on Conditions (Kent M. Pitman) notes that there is a paper [38] containing background information about the design of the condition system, which is based on the condition system of the Symbolics Lisp Machines [49]. The members of the X3J13 Error Handling Subcommittee were Andy Daniels and Kent Pitman. Richard Mlynarik and David A. Moon made major design contributions. Useful comments, questions, suggestions, and criticisms were provided by Paul Anagnostopoulos, Alan Bawden, William Chiles, Pavel Curtis, Mary Fontana, Dick Gabriel, Dick King, Susan Lander, David D. Loeffler, Ken Olum, David C. Plummer, Alan Snyder, Eric Weaver, and Daniel L. Weinreb. The Condition System was designed specifically to accommodate the needs of Common Lisp. The design is, however, most directly based on the “New Error System” (NES) developed at Symbolics by David L. Andre, Bernard S. Greenberg, Mike McMahon, David A. Moon, and Daniel L. Weinreb. The NES was in turn based on experiences with the original Lisp Machine error system (developed at MIT), which was found to be inadequate for the needs of the modern Lisp Machine environments. Many aspects of the NES were inspired by the (PL/I) condition system used by the Honeywell Multics operating system. Henry Lieberman provided conceptual guidance and encouragement in the design of the NES. A reimplementaion of the NES for non-Symbolics Lisp Machine dialects (MIT, LMI, and TI) was done at MIT by Richard M. Stallman. During the process of that reimplementaion, some conceptual changes were made which have significantly influenced the Common Lisp Condition System.

As for the smaller but no less important proposals, Larry Masinter deserves recognition as an author of over half of them. He has worked indefatigably to write up proposals and to polish drafts by other authors. Kent Pitman, David Moon, and Sandra Loosemore have also been notably prolific,

as well as Jon L White, Dan Pierson, Walter van Roggen, Skona Brittain, Scott Fahlman, and myself. Other authors of proposals include David Andre, John Aspinall, Kim Barrett, Eric Benson, Daniel Bobrow, Bob Cassels, Kathy Chapman, William Clinger, Pavel Curtis, Doug Cutting, Jeff Dalton, Linda DiMichiel, Richard Gabriel, Steven Haflich, Sonya Keene, James Kempf, Gregor Kiczales, Dieter Kolb, Barry Margolin, Chris McConnell, Jeff Peck, Jan Pedersen, Crispin Perdue, Jonathan Rees, Don Sakahara, David Touretzky, Richard Waters, and Gail Zacharias.

I am grateful to Donald E. Knuth and his colleagues for producing the  $\text{\TeX}$  text formatting system [28], which was used to produce and typeset the manuscript. Knuth did an especially good job of publishing the program for  $\text{\TeX}$  [29]; I had to consult the code about eight times while debugging particularly complicated macros. Thanks to the extensive indexing and cross-references, in each case it took me less than five minutes to find the relevant fragment of that 500-page program.

I also owe a debt to Leslie Lamport, author of the  $\text{\LaTeX}$  macro package [30] for  $\text{\TeX}$ , within which I implemented the document style for this book.

Blue Sky Research sells and supports Textures, an implementation of  $\text{\TeX}$  for Apple Macintosh computers; Gayla Groom and Barry Smith of Blue Sky Research provided excellent technical support when I needed it. Other software tools that were invaluable in preparing this book were QuicKeys (sold by CE Software, Inc.), which provides keyboard macros; Göfer (sold by Microlytics, Inc.), which performs rapid text searches in multiple files; Symantec Utilities for Macintosh (sold by Symantec Corporation), which saved me from more than one disk crash; and the PostScript language and compatible fonts (sold by Adobe Systems Incorporated).

Some of this software (such as  $\text{\LaTeX}$ ) I obtained for free and some I bought, but all have proved to be useful tools of excellent quality. I am grateful to these developers for creating them.

Electronic mail has been indispensable to the writing of this book, as well to as the work of X3J13. (It is a humbling experience to publish a book and then for the next five years to receive at least one electronic mail message a week, if not twenty, pointing out some mistake or defect.) Kudos to those develop and maintain the Internet, which arose from the Arpanet and other networks.

Chase Duffy, George Horesta, and Will Buddenhagen of Digital Press have given me much encouragement and support. David Ford designed the

book and provided specifications that I could code into T<sub>E</sub>X. Alice Cheyer and Kate Schmit edited the copy for style and puzzled over the more obscure jokes with great patience. Marilyn Rowland created the index; Tim Evans and I did some polishing. Laura Fillmore and her colleagues at Editorial, Inc., have tirelessly and meticulously checked one draft after another and has kept the paperwork flowing smoothly during the last hectic weeks of proofreading, page makeup, and typesetting.

Thinking Machines Corporation has supported all my work with X3J13. I thank all my colleagues there for their encouragement and help.

Others who provided indispensable encouragement and support include Guy and Nalora Steele; David Steele; Cordon and Ruth Kerns; David, Patricia, Tavis, Jacob, Nicholas, and Daniel Auwerda; Donald and Denise Kerns; and David, Joyce, and Christine Kerns.

Most of the writing of this book took place between 10 P.M. and 3 A.M. (I'm not as young as I used to be). I am grateful to Barbara, Julia, Peter, and Matthew for putting up with it, and for their love.

Guy L. Steele Jr.  
Lexington, Massachusetts  
All Saints' Day, 1989



# Acknowledgments FIRST EDITION (1984)

Common Lisp was designed by a diverse group of people affiliated with many institutions.

Contributors to the design and implementation of Common Lisp and to the polishing of this book are hereby gratefully acknowledged:

Paul Anagnostopoulos	Digital Equipment Corporation
Dan Aronson	Carnegie-Mellon University
Alan Bawden	Massachusetts Institute of Technology
Eric Benson	University of Utah, Stanford University, and Symbolics, Incorporated
Jon Bentley	Carnegie-Mellon University and Bell Laboratories
Jerry Boetje	Digital Equipment Corporation
Gary Brooks	Texas Instruments
Rodney A. Brooks	Stanford University
Gary L. Brown	Digital Equipment Corporation
Richard L. Bryan	Symbolics, Incorporated
Glenn S. Burke	Massachusetts Institute of Technology
Howard I. Cannon	Symbolics, Incorporated
George J. Carrette	Massachusetts Institute of Technology
Robert Cassels	Symbolics, Incorporated
Monica Cellio	Carnegie-Mellon University
David Dill	Carnegie-Mellon University
Scott E. Fahlman	Carnegie-Mellon University
Richard J. Fateman	University of California, Berkeley
Neal Feinberg	Carnegie-Mellon University
Ron Fischer	Rutgers University
John Foderaro	University of California, Berkeley

Steve Ford

Texas Instruments

Richard P. Gabriel Stanford University and Lawrence Livermore National  
Laboratory

Joseph Ginder Carnegie-Mellon University and Perq Systems Corp.

Bernard S. Greenberg Symbolics, Incorporated

Richard Greenblatt Lisp Machines Incorporated (LMI)

Martin L. Griss University of Utah and Hewlett-Packard Incorporated

Steven Handerson Carnegie-Mellon University

Charles L. Hedrick Rutgers University

Gail Kaiser Carnegie-Mellon University

Earl A. Killian Lawrence Livermore National Laboratory

Steve Krueger Texas Instruments

John L. Kulp Symbolics, Incorporated

Jim Large Carnegie-Mellon University

Rob Maclachlan Carnegie-Mellon University

William Maddox Carnegie-Mellon University

Larry M. Masinter Xerox Corporation, Palo Alto Research Center

John McCarthy Stanford University

Michael E. McMahon Symbolics, Incorporated

Brian Milnes Carnegie-Mellon University

David A. Moon Symbolics, Incorporated

Beryl Morrison Digital Equipment Corporation

Don Morrison University of Utah

Dan Pierson Digital Equipment Corporation

Kent M. Pitman Massachusetts Institute of Technology

Jonathan Rees Yale University

Walter van Roggen Digital Equipment Corporation

Susan Rosenbaum Texas Instruments

William L. Scherlis Carnegie-Mellon University

Lee Schumacher Carnegie-Mellon University

Richard M. Stallman Massachusetts Institute of Technology

Barbara K. Steele Carnegie-Mellon University

Guy L. Steele Jr. Carnegie-Mellon University and Tartan Laboratories  
Incorporated

Peter Szolovits Massachusetts Institute of Technology

William vanMelle Xerox Corporation, Palo Alto Research Center

Ellen Waldrum Texas Instruments

Allan C. Wechsler Symbolics, Incorporated

Daniel L. Weinreb Symbolics, Incorporated

Jon L White	Xerox Corporation, Palo Alto Research Center
Skef Wholey	Carnegie-Mellon University
Richard Zippel	Massachusetts Institute of Technology
Leonard Zubkoff	Carnegie-Mellon University and Tartan Laboratories Incorporated

Some contributions were relatively small; others involved enormous expenditures of effort and great dedication. A few of the contributors served more as worthy adversaries than as benefactors (and do not necessarily endorse the final design reported here), but their pointed criticisms were just as important to the polishing of Common Lisp as all the positively phrased suggestions. All of the people named above were helpful in one way or another, and I am grateful for the interest and spirit of cooperation that allowed most decisions to be made by consensus after due discussion.

Considerable encouragement and moral support were also provided by:

Norma Abel	Digital Equipment Corporation
Roger Bate	Texas Instruments
Harvey Cragon	Texas Instruments
Dennis Duncan	Digital Equipment Corporation
Sam Fuller	Digital Equipment Corporation
A. Nico Habermann	Carnegie-Mellon University
Berthold K. P. Horn	Massachusetts Institute of Technology
Gene Kromer	Texas Instruments
Gene Matthews	Texas Instruments
Allan Newell	Carnegie-Mellon University
Dana Scott	Carnegie-Mellon University
Harry Tennant	Texas Instruments
Patrick H. Winston	Massachusetts Institute of Technology
Lowell Wood	Lawrence Livermore National Laboratory
William A. Wulf	Carnegie-Mellon University and Tartan Laboratories Incorporated

I am very grateful to each of them.

Jan Zubkoff of Carnegie-Mellon University provided a great deal of organization, secretarial support, and unflinching good cheer in the face of adversity.

The development of Common Lisp would most probably not have been possible without the electronic message system provided by the ARPANET.

Design decisions were made on several hundred distinct points, for the most part by consensus, and by simple majority vote when necessary. Except for two one-day face-to-face meetings, all of the language design and discussion was done through the ARPANET message system, which permitted effortless dissemination of messages to dozens of people, and several interchanges per day. The message system also provided automatic archiving of the entire discussion, which has proved invaluable in the preparation of this reference manual. Over the course of thirty months, approximately 3000 messages were sent (an average of three per day), ranging in length from one line to twenty pages. Assuming 5000 characters per printed page of text, the entire discussion totaled about 1100 pages. It would have been substantially more difficult to have conducted this discussion by any other means, and would have required much more time.

The ideas in Common Lisp have come from many sources and been polished by much discussion. I am responsible for the form of this book, and for any errors or inconsistencies that may remain; but the credit for the design and support of Common Lisp lies with the individuals named above, each of whom has made significant contributions.

The organization and content of this book were inspired in large part by the *MacLISP Reference Manual* by David A. Moon and others [33], and by the *LISP Machine Manual* (fourth edition) by Daniel Weinreb and David Moon [55], which in turn acknowledges the efforts of Richard Stallman, Mike McMahon, Alan Bawden, Glenn Burke, and “many people too numerous to list.”

I thank Phyllis Keenan, Chase Duffy, Virginia Anderson, John Osborn, and Jonathan Baker of Digital Press for their help in preparing this book for publication. Jane Blake did an admirable job of copy-editing. James Gibson and Katherine Downs of Waldman Graphics were most cooperative in typesetting this book from my on-line manuscript files.

I am grateful to Carnegie-Mellon University and to Tartan Laboratories Incorporated for supporting me in the writing of this book over the last three years.

Part of the work on this book was done in conjunction with the Carnegie-Mellon University Spice Project, an effort to construct an advanced scientific software development environment for personal computers. The Spice Project is supported by the Defense Advanced Research Projects Agency, Department of Defense, ARPA Order 3597, monitored by the Air Force Avionics Laboratory under contract F33615-78-C-1551. The views and conclusions

contained in this book are those of the author and should not be interpreted as representing the official policies, either expressed or implied, of the Defense Advanced Research Projects Agency or the U.S. Government.

Most of the writing of this book took place between midnight and 5 A.M. I am grateful to Barbara, Julia, and Peter for putting up with it, and for their love.

Guy L. Steele Jr.  
Pittsburgh, Pennsylvania  
March 1984

# Chapter 1

## Introduction

Common Lisp is a new dialect of Lisp, a successor to MacLisp [33, 37], influenced strongly by Zetalisp [55, 34] and to some extent by Scheme [46] and Interlisp [50].

### 1.1 Purpose

Common Lisp is intended to meet these goals:

***Commonality*** Common Lisp originated in an attempt to focus the work of several implementation groups, each of which was constructing successor implementations of MacLisp for different computers. These implementations had begun to diverge because of the differences in the implementation environments: microcoded personal computers (Zetalisp, Spice Lisp), commercial timeshared computers (NIL—the “New Implementation of Lisp”), and supercomputers (S-1 Lisp). While the differences among the several implementation environments of necessity will continue to force certain incompatibilities among the implementations, Common Lisp serves as a common dialect to which each implementation makes any necessary extensions.

***Portability*** Common Lisp intentionally excludes features that cannot be implemented easily on a broad class of machines. On the one hand, features that are difficult or expensive to implement on hardware without special microcode are avoided or provided in a more abstract and

efficiently implementable form. (Examples of this are the invisible forwarding pointers and locatives of Zetalisp. Some of the problems that they solve are addressed in different ways in Common Lisp.) On the other hand, features that are useful only on certain “ordinary” or “commercial” processors are avoided or made optional. (An example of this is the type declaration facility, which is useful in some implementations and completely ignored in others. Type declarations are completely optional and for correct programs affect only efficiency, not semantics.) Common Lisp is designed to make it easy to write programs that depend as little as possible on machine-specific characteristics, such as word length, while allowing some variety of implementation techniques.

**Consistency** Most Lisp implementations are internally inconsistent in that by default the interpreter and compiler may assign different semantics to correct programs. This semantic difference stems primarily from the fact that the interpreter assumes all variables to be dynamically scoped, whereas the compiler assumes all variables to be local unless explicitly directed otherwise. This difference has been the usual practice in Lisp for the sake of convenience and efficiency but can lead to very subtle bugs. The definition of Common Lisp avoids such anomalies by explicitly requiring the interpreter and compiler to impose identical semantics on correct programs so far as possible.

**Expressiveness** Common Lisp culls what experience has shown to be the most useful and understandable constructs from not only MacLisp but also Interlisp, other Lisp dialects, and other programming languages. Constructs judged to be awkward or less useful have been excluded. (An example is the **store** construct of MacLisp.)

**Compatibility** Unless there is a good reason to the contrary, Common Lisp strives to be compatible with Lisp Machine Lisp, MacLisp, and Interlisp, roughly in that order.

**Efficiency** Common Lisp has a number of features designed to facilitate the production of high-quality compiled code in those implementations whose developers care to invest effort in an optimizing compiler. One implementation of Common Lisp, namely S-1 Lisp, already has a compiler that produces code for numerical computations that is competitive



in execution speed to that produced by a Fortran compiler [11]. The S-1 Lisp compiler extends the work done in MacLisp to produce extremely efficient numerical code [19].

**Power** Common Lisp is a descendant of MacLisp, which has traditionally placed emphasis on providing system-building tools. Such tools may in turn be used to build the user-level packages such as Interlisp provides; these packages are not, however, part of the Common Lisp core specification. It is expected such packages will be built on top of the Common Lisp core.

**Stability** It is intended that Common Lisp will change only slowly and with due deliberation. The various dialects that are supersets of Common Lisp may serve as laboratories within which to test language extensions, but such extensions will be added to Common Lisp only after careful examination and experimentation.

The goals of Common Lisp are thus very close to those of Standard Lisp [31] and Portable Standard Lisp [51]. Common Lisp differs from Standard Lisp primarily in incorporating more features, including a richer and more complicated set of data types and more complex control structures.

This book is intended to be a language specification rather than an implementation specification (although implementation notes are scattered throughout the text). It defines a set of standard language concepts and constructs that may be used for communication of data structures and algorithms in the Common Lisp dialect. This set of concepts and constructs is sometimes referred to as the “core Common Lisp language” because it contains conceptually necessary or important features. It is not necessarily implementationally minimal. While many features could be defined in terms of others by writing Lisp code, and indeed may be implemented that way, it was felt that these features should be conceptually primitive so that there might be agreement among all users as to their usage. (For example, bignums and rational numbers could be implemented as Lisp code given operations on fixnums. However, it is important to the conceptual integrity of the language that they be regarded by the user as primitive, and they are useful enough to warrant a standard definition.)

For the most part, this book defines a programming language, not a programming environment. A few interfaces are defined for invoking such standard programming tools as a compiler, an editor, a program trace facility,

and a debugger, but very little is said about their nature or operation. It is expected that one or more extensive programming environments will be built using Common Lisp as a foundation, and will be documented separately.

There are now many implementations of Common Lisp, some programmed by research groups in universities and some by companies that sell them commercially, and a number of useful programming environments have indeed grown up around these implementations. What is more, all the goals stated above have been achieved, most notably that of portability. Moving large bodies of Lisp code from one computer to another is now routine.

## 1.2 Notational Conventions

A number of special notational conventions are used throughout this book for the sake of conciseness.

### 1.2.1 Decimal Numbers

All numbers in this book are in decimal notation unless there is an explicit indication to the contrary. (Decimal notation is normally taken for granted, of course. Unfortunately, for certain other dialects of Lisp, MacLisp in particular, the default notation for numbers is octal (base 8) rather than decimal, and so the use of decimal notation for describing Common Lisp is, taken in its historical context, a bit unusual!)

### 1.2.2 Nil, False, and the Empty List

In Common Lisp, as in most Lisp dialects, the symbol **nil** is used to represent both the empty list and the “false” value for Boolean tests. An empty list may, of course, also be written `()`; this normally denotes the same object as **nil**. (It is possible, by extremely perverse manipulation of the package system, to cause the sequence of letters **nil** to be recognized not as the symbol that represents the empty list but as another symbol with the same name. This obscure possibility will be ignored in this book.) These two notations may be used interchangeably as far as the Lisp system is concerned. However, as a matter of style, this book uses the notation `()` when it is desirable to emphasize the use of an empty list, and uses the notation **nil** when it is desirable to emphasize the use of the Boolean “false”. The notation **'nil**

(note the explicit quotation mark) is used to emphasize the use of a symbol. For example:

```
(defun three () 3) ;Emphasize empty parameter list
(append '() '()) ⇒ ();Emphasize use of empty lists
(not nil) ⇒ t ;Emphasize use as Boolean “false”
(get 'nil 'color) ;Emphasize use as a symbol
```

Any data object other than **nil** is construed to be Boolean “not false”, that is, “true”. The symbol **t** is conventionally used to mean “true” when no other value is more appropriate. When a function is said to “return *false*” or to “be *false*” in some circumstance, this means that it returns **nil**. However, when a function is said to “return *true*” or to “be *true*” in some circumstance, this means that it returns some value other than **nil**, but not necessarily **t**.

### 1.2.3 Evaluation, Expansion, and Equivalence

Execution of code in Lisp is called *evaluation* because executing a piece of code normally results in a data object called the *value* produced by the code. The symbol  $\Rightarrow$  is used in examples to indicate evaluation. For example,

```
(+ 4 5) ⇒ 9
```

means “the result of evaluating the code `(+ 4 5)` is (or would be, or would have been) **9**.”

The symbol  $\rightarrow$  is used in examples to indicate macro expansion. For example,

```
(push x v) → (setf v (cons x v))
```

means “the result of expanding the macro-call form `(push x v)` is `(setf v (cons x v))`.” This implies that the two pieces of code do the same thing; the second piece of code is the definition of what the first does.

The symbol  $\equiv$  is used in examples to indicate code equivalence. For example,

```
(gcd x (gcd y z)) ≡ (gcd (gcd x y) z)
```

means “the value and effects of evaluating the form `(gcd x (gcd y z))` are always the same as the value and effects of `(gcd (gcd x y) z)` for any values of the variables **x**, **y**, and **z**.” This implies that the two pieces of code do the same thing; however, neither directly defines the other in the way macro expansion does.

### 1.2.4 Errors

When this book specifies that it “is an error” for some situation to occur, this means that:

- No valid Common Lisp program should cause this situation to occur.
- If this situation occurs, the effects and results are completely undefined as far as adherence to the Common Lisp specification is concerned.
- No Common Lisp implementation is required to detect such an error. Of course, implementors are encouraged to provide for detection of such errors wherever reasonable.

This is not to say that some particular implementation might not define the effects and results for such a situation; the point is that no program conforming to the Common Lisp specification may correctly depend on such effects or results.

On the other hand, if it is specified in this book that in some situation “an error is *signaled*,” this means that:

- If this situation occurs, an error will be signaled (see **error** and **error**).
- Valid Common Lisp programs may rely on the fact that an error will be signaled.
- Every Common Lisp implementation is required to detect such an error.

In places where it is stated that so-and-so “must” or “must not” or “may not” be the case, then it “is an error” if the stated requirement is not met. For example, if an argument “must be a symbol,” then it “is an error” if the argument is not a symbol. In all cases where an error is to be *signaled*, the word “signaled” is always used explicitly in this book.

X3J13 has adopted a more elaborate terminology for errors, and has made some effort to specify the type of error to be signaled in situations where signaling is appropriate. This effort was not complete as of September 1989, and I have made little attempt to incorporate the new error terminology or error type specifications in this book. However, the new terminology is described and used in the specification of the Common Lisp Object System appearing in chapter 28; this gives the flavor of how erroneous situations will be described, and appropriate actions prescribed, in the forthcoming ANSI Common Lisp standard.

Table 1.1: Sample Function Description

*[Function]* **sample-function** *arg1 arg2 &optional arg3 arg4*

The function **sample-function** adds together *arg1* and *arg2*, and then multiplies the result by *arg3*. If *arg3* is not provided or is **nil**, the multiplication isn't done. **sample-function** then returns a list whose first element is this result and whose second element is *arg4* (which defaults to the symbol **foo**). For example:

```
(sample-function 3 4) ⇒ (7 foo)
(sample-function 1 2 2 'bar) ⇒ (6 bar)
```

In general, **(sample-function x y) ≡ (list (+ x y) 'foo)**.

Table 1.2: Sample Variable Description

*[Variable]* **\*sample-variable\***

The variable **\*sample-variable\*** specifies how many times the special operator **sample-special-form** should iterate. The value should always be a non-negative integer or **nil** (which means iterate indefinitely many times). The initial value is **0** (meaning no iterations).

Table 1.3: Sample Constant Description

*[Constant]* **sample-constant**

The named constant **sample-constant** has as its value the height of the terminal screen in furlongs times the base-2 logarithm of the implementation's total disk capacity in bytes, as a floating-point number.

## 1.2.5 Descriptions of Functions and Other Entities

Functions, variables, named constants, special operators, and macros are described using a distinctive typographical format. Table 1.1 illustrates the manner in which Common Lisp functions are documented. The first line specifies the name of the function, the manner in which it accepts arguments, and the fact that it is a function. If the function takes many arguments, then the names of the arguments may spill across two or three lines. The paragraphs following this standard header explain the definition and uses of the function and often present examples or related functions.

Sometimes two or more related functions are explained in a single com-

Table 1.4: Sample Special Operator Description

*[Special operator]* **sample-special-form** [*name*] (*{var}*\*) *{form}*+  
 This evaluates each form in sequence as an implicit **progn**, and does this as many times as specified by the global variable **\*sample-variable\***. Each variable *var* is bound and initialized to **43** before the first iteration, and unbound after the last iteration. The name *name*, if supplied, may be used in a **return-from** form to exit from the loop prematurely. If the loop ends normally, **sample-special-form** returns **nil**. For example:

```
(setq *sample-variable* 3)
(sample-special-form () form1 form2)
```

This evaluates *form1*, *form2*, *form1*, *form2*, *form1*, *form2* in that order.

Table 1.5: Sample Macro Description

*[Macro]* **sample-macro** *var* [[*declaration\** | *doc-string*]] *{tag* | *statement*]\*

This evaluates the statements as a **prog** body, with the variable *var* bound to **43**.

```
(sample-macro x (return (+ x x))) ⇒ 86
(sample-macro var . body) → (prog ((var 43)) . body)
```

combined description. In this situation the headers for all the functions appear together, followed by the combined description.

In general, actual code (including actual names of functions) appears in this typeface: **(cons a b)**. Names that stand for pieces of code (metavariables) are written in *italics*. In a function description, the names of the parameters appear in italics for expository purposes. The word **&optional** in the list of parameters indicates that all arguments past that point are optional; the default values for the parameters are described in the text. Parameter lists may also contain **&rest**, indicating that an indefinite number of arguments may appear, or **&key**, indicating that keyword arguments are accepted. (The **&optional**/**&rest**/**&key** syntax is actually used in Common Lisp function definitions for these purposes.)

Table 1.2 illustrates the manner in which a global variable is documented. The first line specifies the name of the variable and the fact that it is a vari-

able. Purely as a matter of convention, all global variables used by Common Lisp have names beginning and ending with an asterisk.

Table 1.3 illustrates the manner in which a named constant is documented. The first line specifies the name of the constant and the fact that it is a constant. (A constant is just like a global variable, except that it is an error ever to alter its value or to bind it to a new value.)

Tables 1.4 and 1.5 illustrate the documentation of special operators and macros, which are closely related in purpose. These are very different from functions. Functions are called according to a single, specific, consistent syntax; the **&optional**/**&rest**/**&key** syntax specifies how the function uses its arguments internally but does not affect the syntax of a call. In contrast, each special operator or macro can have its own idiosyncratic syntax. It is by special operators and macros that the syntax of Common Lisp is defined and extended.

In the description of a special operator or macro, an italicized word names a corresponding part of the form that invokes the special operator or macro. Parentheses stand for themselves and should be written as such when invoking the special operator or macro. Brackets, braces, stars, plus signs, and vertical bars are metasyntactic marks. Brackets, [ and ], indicate that what they enclose is optional (may appear zero times or one time in that place); the square brackets should not be written in code. Braces, { and }, simply parenthesize what they enclose but may be followed by a star,  $\{ \}^*$ , or a plus sign,  $\{ \}^+$ ; a star indicates that what the braces enclose may appear any number of times (including zero, that is, not at all), whereas a plus sign indicates that what the braces enclose may appear any non-zero number of times (that is, must appear at least once). Within braces or brackets, a vertical bar, |, separates mutually exclusive choices. In summary, the notation  $\{x\}^*$  means zero or more occurrences of  $x$ , the notation  $\{x\}^+$  means one or more occurrences of  $x$ , and the notation  $[x]$  means zero or one occurrence of  $x$ . These notations are also used for syntactic descriptions expressed as BNF-like productions, as in table 22.3.

Double brackets, [[ and ]], indicate that any number of the alternatives enclosed may be used, and those used may occur in any order, but each alternative may be used at most once unless followed by a star. For example,

$$p \ [[x / \{y\}^* / z]] \ q$$

means that at most one  $x$ , any number of  $y$ 's, and at most one  $z$  may appear between the mandatory occurrences of  $p$  and  $q$ , and those that appear may

be in any order.

A downward arrow,  $\downarrow$ , indicates a form of syntactic indirection that helps to make `[[ ]]` notation more readable. If  $X$  is some non-terminal symbol occurring on the left-hand side of some BNF production, then the right-hand side of that production is to be textually substituted for any occurrence of  $\downarrow X$ . Thus the two fragments

$$p \text{ } [[\downarrow xyz\text{-mixture}]] \text{ } q$$

$$xyz\text{-mixture} ::= x \mid \{y\}^* \mid z$$

are together equivalent to the previous example.

In the last example in table 1.5, notice the use of dot notation. The dot appearing in the expression (**sample-macro** *var* . *body*) means that the name *body* stands for a list of forms, not just a single form, at the end of a list. This notation is often used in examples.

In the heading line in table 1.5, notice the use of `[[ ]]` notation to indicate that any number of declarations may appear but at most one documentation string (which may appear before, after, or somewhere in the middle of any declarations).

## 1.2.6 The Lisp Reader

The term “Lisp reader” refers not to you, the reader of this book, nor to some person reading Lisp code, but specifically to a Lisp procedure, namely the function **read**, which reads characters from an input stream and interprets them by parsing as representations of Lisp objects.

## 1.2.7 Overview of Syntax

Certain characters are used in special ways in the syntax of Common Lisp. The complete syntax is explained in detail in chapter 22, but a quick summary here may be useful:

- ( A left parenthesis begins a list of items. The list may contain any number of items, including zero. Lists may be nested. For example, (**cons** (**car** **x**) (**cdr** **y**)) is a list of three things, of which the last two are themselves lists.
- ) A right parenthesis ends a list of items.



- ' An acute accent (also called single quote or apostrophe) followed by an expression *form* is an abbreviation for (**quote form**). Thus **'foo** means (**quote foo**) and **'(cons 'a 'b)** means (**quote (cons (quote a) (quote b))**).
  
- ; Semicolon is the comment character. It and all characters up to the end of the line are discarded.
  
- " Double quotes surround character strings:  
**"This is a thirty-nine-character string."**
  
- \ Backslash is an escape character. It causes the next character to be treated as a letter rather than for its usual syntactic purpose. For example, **A\B** denotes a symbol whose name consists of the three characters **A**, **(**, and **B**. Similarly, **"\""** denotes a character string containing one character, a double quote, because the first and third double quotes serve to delimit the string, and the second double quote serves as the contents of the string. The backslash causes the second double quote to be taken literally and prevents it from being interpreted as the terminating delimiter of the string.
  
- | Vertical bars are used in pairs to surround the name (or part of the name) of a symbol that has many special characters in it. It is roughly equivalent to putting a backslash in front of every character so surrounded. For example, **|A(B)|**, **A|(|B|)**, and **A\B\** all mean the symbol whose name consists of the four characters **A**, **(**, **B**, and **)**.
  
- # The number sign signals the beginning of a complicated syntactic structure. The next character designates the precise syntax to follow. For example, **#o105** means  $105_8$  (105 in octal notation); **#x105** means  $105_{16}$  (105 in hexadecimal notation); **#b1011** means  $1011_2$  (1011 in binary notation); **#\L** denotes a character object for the character **L**; and **#(a b c)** denotes a vector of three elements **a**, **b**, and **c**. A particularly important case is that **#'fn** means (**function fn**), in a manner analogous to **'form** meaning (**quote form**).
  
- ‘ Grave accent (“backquote”) signals that the next expression is a template that may contain commas. The backquote syntax represents a program that will construct a data structure according to the template.

- , Commas are used within the backquote syntax.
- : Colon is used to indicate which package a symbol belongs to. For example, **network:reset** denotes the symbol named **reset** in the package named **network**. A leading colon indicates a *keyword*, a symbol that always evaluates to itself. x The colon character is not actually part of the print name of the symbol. This is all explained in chapter 11; until you read that, just keep in mind that a symbol notated with a leading colon is in effect a constant that evaluates to itself.

Brackets, braces, question mark, and exclamation point (that is, [, ], {, }, ?, and !) are not used for any purpose in standard Common Lisp syntax. These characters are explicitly reserved to the user, primarily for use as *macro characters* for user-defined lexical syntax extensions (see section 22.1.3).

All code in this book is written using lowercase letters. Common Lisp is generally insensitive to the case in which code is written. Internally, names of symbols are ordinarily converted to and stored in uppercase form. There are ways to force case conversion on output if desired; see **\*print-case\***. In this book, wherever an interactive exchange between a user and the Lisp system is shown, the input is exhibited with lowercase letters and the output with uppercase letters.

**readtable-case** settings allow the names of symbols to be case-sensitive. The default behavior, however, is as described in the previous paragraph. In any event, only uppercase letters appear in the internal print names of symbols naming the standard Common Lisp facilities described in this book.

# Chapter 2

## Data Types

Common Lisp provides a variety of types of data objects. It is important to note that in Lisp it is data objects that are typed, not variables. Any variable can have any Lisp object as its value. (It is possible to make an explicit declaration that a variable will in fact take on one of only a limited set of values. However, such a declaration may always be omitted, and the program will still run correctly. Such a declaration merely constitutes advice from the user that may be useful in gaining efficiency. See **declare**.)

In Common Lisp, a data type is a (possibly infinite) set of Lisp objects. Many Lisp objects belong to more than one such set, and so it doesn't always make sense to ask what is *the* type of an object; instead, one usually asks only whether an object belongs to a given type. The predicate **typep** may be used to ask whether an object belongs to a given type, and the function **type-of** returns *a* type to which a given object belongs.

The data types defined in Common Lisp are arranged into a hierarchy (actually a partial order) defined by the subset relationship. Certain sets of objects, such as the set of numbers or the set of strings, are interesting enough to deserve labels. Symbols are used for most such labels (here, and throughout this book, the word “symbol” refers to atomic symbols, one kind of Lisp object, elsewhere known as literal atoms). See chapter 4 for a complete description of type specifiers.

The set of all objects is specified by the symbol **t**. The empty data type, which contains no objects, is denoted by **nil**.

The following categories of Common Lisp objects are of particular interest: numbers, characters, symbols, lists, arrays, structures, and functions. There are others as well. Some of these categories have many subdivisions.

There are also standard types defined to be the union of two or more of these categories. The categories listed above, while they are data types, are neither more nor less “real” than other data types; they simply constitute a particularly useful slice across the type hierarchy for expository purposes.

Here are brief descriptions of various Common Lisp data types. The remaining sections of this chapter go into more detail and also describe notations for objects of each type. Descriptions of Lisp functions that operate on data objects of each type appear in later chapters.

- *Numbers* are provided in various forms and representations. Common Lisp provides a true integer data type: any integer, positive or negative, has in principle a representation as a Common Lisp data object, subject only to total memory limitations (rather than machine word width). A true rational data type is provided: the quotient of two integers, if not an integer, is a ratio. Floating-point numbers of various ranges and precisions are also provided, as well as Cartesian complex numbers.
- *Characters* represent printed glyphs such as letters or text formatting operations. Strings are one-dimensional arrays of characters. Common Lisp provides for a rich character set, including ways to represent characters of various type styles.
- *Symbols* (sometimes called *atomic symbols* for emphasis or clarity) are named data objects. Lisp provides machinery for locating a symbol object, given its name (in the form of a string). Symbols have *property lists*, which in effect allow symbols to be treated as record structures with an extensible set of named components, each of which may be any Lisp object. Symbols also serve to name functions and variables within programs.
- *Lists* are sequences represented in the form of linked cells called *conses*. There is a special object (the symbol **nil**) that is the empty list. All other lists are built recursively by adding a new element to the front of an existing list. This is done by creating a new *cons*, which is an object having two components called the *car* and the *cdr*. The *car* may hold anything, and the *cdr* is made to point to the previously existing list. (Conses may actually be used completely generally as two-element record structures, but their most important use is to represent lists.)

- *Arrays* are dimensioned collections of objects. An array can have any non-negative number of dimensions and is indexed by a sequence of integers. A general array can have any Lisp object as a component; other types of arrays are specialized for efficiency and can hold only certain types of Lisp objects. It is possible for two arrays, possibly with differing dimension information, to share the same set of elements (such that modifying one array modifies the other also) by causing one to be *displaced* to the other. One-dimensional arrays of any kind are called *vectors*. One-dimensional arrays of characters are called *strings*. One-dimensional arrays of bits (that is, of integers whose values are 0 or 1) are called *bit-vectors*.
- *Hash tables* provide an efficient way of mapping any Lisp object (a *key*) to an associated object.
- *Readtables* are used to control the built-in expression parser **read**.
- *Packages* are collections of symbols that serve as name spaces. The parser recognizes symbols by looking up character sequences in the current package.
- *Pathnames* represent names of files in a fairly implementation-independent manner. They are used to interface to the external file system.
- *Streams* represent sources or sinks of data, typically characters or bytes. They are used to perform I/O, as well as for internal purposes such as parsing strings.
- *Random-states* are data structures used to encapsulate the state of the built-in random-number generator.
- *Structures* are user-defined record structures, objects that have named components. The **defstruct** facility is used to define new structure types. Some Common Lisp implementations may choose to implement certain system-supplied data types, such as *bignums*, *readtables*, *streams*, *hash tables*, and *pathnames*, as structures, but this fact will be invisible to the user.

- *Conditions* are objects used to affect control flow in certain conventional ways by means of signals and handlers that intercept those signals. In particular, errors are signaled by raising particular conditions, and errors may be trapped by establishing handlers for those conditions.
- *Classes* determine the structure and behavior of other objects, their *instances*. Every Common Lisp data object belongs to some class. (In some ways the CLOS class system is a generalization of the system of type specifiers of the first edition of this book, but the class system augments the type system rather than supplanting it.)
- *Methods* are chunks of code that operate on arguments satisfying a particular pattern of classes. Methods are not functions; they are not invoked directly on arguments but instead are bundled into generic functions.
- *Generic functions* are functions that contain, among other information, a set of methods. When invoked, a generic function executes a subset of its methods. The subset chosen for execution depends in a specific way on the classes or identities of the arguments to which it is applied.

These categories are not always mutually exclusive. The required relationships among the various data types are explained in more detail in section 2.15.

## 2.1 Numbers

Several kinds of numbers are defined in Common Lisp. They are divided into *integers*; *ratios*; *floating-point numbers*, with names provided for up to four different floating-point representations; *reals* and *complex numbers*.

The **number** data type encompasses all kinds of numbers. For convenience, there are names for some subclasses of numbers as well. Integers and ratios are of type **rational**. Rational numbers and floating-point numbers are of type **real**. Real numbers and complex numbers are of type **number**.

Although the names of these types were chosen with the terminology of mathematics in mind, the correspondences are not always exact. Integers and ratios model the corresponding mathematical concepts directly. Numbers of

type **float** may be used to approximate real numbers, both rational and irrational. The **real** type includes all Common Lisp numbers that represent mathematical real numbers, though there are mathematical real numbers (irrational numbers) that do not have an exact Common Lisp representation. Only **real** numbers may be ordered using the `<`, `>`, `<=`, and `>=` functions.

### 2.1.1 Integers

The **integer** data type is intended to represent mathematical integers. Unlike most programming languages, Common Lisp in principle imposes no limit on the magnitude of an integer; storage is automatically allocated as necessary to represent large integers.

In every Common Lisp implementation there is a range of integers that are represented more efficiently than others; each such integer is called a *fixnum*, and an integer that is not a fixnum is called a *bignum*. Common Lisp is designed to hide this distinction as much as possible; the distinction between fixnums and bignums is visible to the user in only a few places where the efficiency of representation is important. Exactly which integers are fixnums is implementation-dependent; typically they will be those integers in the range  $-2^n$  to  $2^n - 1$ , inclusive, for some  $n$  not less than 15. See **most-positive-fixnum** and **most-negative-fixnum**.

**fixnum** must be a supertype of the type (**signed-byte 16**), and additionally that the value of **array-dimension-limit** must be a fixnum (implying that the implementor should choose the range of fixnums to be large enough to accommodate the largest size of array to be supported).

---

**Rationale:** This specification allows programmers to declare variables in portable code to be of type **fixnum** for efficiency. Fixnums are guaranteed to encompass at least the set of 16-bit signed integers (compare this to the data type **short int** in the C programming language). In addition, any valid array index must be a fixnum, and therefore variables used to hold array indices (such as a **dotimes** variable) may be declared **fixnum** in portable code.

---

Integers are ordinarily written in decimal notation, as a sequence of decimal digits, optionally preceded by a sign and optionally followed by a decimal point. For example:

0	;Zero
-0	;This <i>always</i> means the same as <b>0</b>
+6	;The first perfect number
28	;The second perfect number
1024.	;Two to the tenth power
-1	;e <sup><math>\pi i</math></sup>
15511210043330985984000000.	;25 factorial (25!), probably a bignum

Integers may be notated in radices other than ten. The notation

`#nnrdddd` or `#nnRdddd`

means the integer in radix- $nn$  notation denoted by the digits *dddd*. More precisely, one may write `#`, a non-empty sequence of decimal digits representing an unsigned decimal integer  $n$ , **r** (or **R**), an optional sign, and a sequence of radix- $n$  digits, to indicate an integer written in radix  $n$  (which must be between 2 and 36, inclusive). Only legal digits for the specified radix may be used; for example, an octal number may contain only the digits 0 through 7. For digits above 9, letters of the alphabet of either case may be used in order. Binary, octal, and hexadecimal radices are useful enough to warrant the special abbreviations `#b` for `#2r`, `#o` for `#8r`, and `#x` for `#16r`. For example:

<code>#2r11010101</code>	;Another way of writing <b>213</b> decimal
<code>#b11010101</code>	;Ditto
<code>#b+11010101</code>	;Ditto
<code>#o325</code>	;Ditto, in octal radix
<code>#xD5</code>	;Ditto, in hexadecimal radix
<code>#16r+D5</code>	;Ditto
<code>#o-300</code>	;Decimal -192, written in base 8
<code>#3r-21010</code>	;Same thing in base 3
<code>#25R-7H</code>	;Same thing in base 25
<code>#xACCEDED</code>	;181202413, in hexadecimal radix

## 2.1.2 Ratios

A *ratio* is a number representing the mathematical ratio of two integers. Integers and ratios collectively constitute the type **rational**. The canonical representation of a rational number is as an integer if its value is integral,



and otherwise as the ratio of two integers, the *numerator* and *denominator*, whose greatest common divisor is 1, and of which the denominator is positive (and in fact greater than 1, or else the value would be integral). A ratio is notated with / as a separator, thus: **3/5**. It is possible to notate ratios in non-canonical (unreduced) forms, such as **4/6**, but the Lisp function **prin1** always prints the canonical form for a ratio.

If any computation produces a result that is a ratio of two integers such that the denominator evenly divides the numerator, then the result is immediately converted to the equivalent integer. This is called the rule of *rational canonicalization*.

Rational numbers may be written as the possibly signed quotient of decimal numerals: an optional sign followed by two non-empty sequences of digits separated by a /. This syntax may be described as follows:

*ratio* ::= [sign] {digit}<sup>+</sup> / {digit}<sup>+</sup>

The second sequence may not consist entirely of zeros. For example:

2/3                   ;This is in canonical form  
 4/6                   ;A non-canonical form for the same number  
 -17/23               ;A not very interesting ratio  
 -30517578125/32768   ;This is  $(-5/2)^{15}$   
 10/5                  ;The canonical form for this is **2**

To notate rational numbers in radices other than ten, one uses the same radix specifiers (one of **#nnR**, **#O**, **#B**, or **#X**) as for integers. For example:

#o-101/75            ;Octal notation for **-65/61**  
 #3r120/21           ;Ternary notation for **15/7**  
 #Xbc/ad             ;Hexadecimal notation for **188/173**  
 #xFADED/FACADE     ;Hexadecimal notation for **1027565/16435934**

### 2.1.3 Floating-Point Numbers

Common Lisp allows an implementation to provide one or more kinds of floating-point number, which collectively make up the type **float**. Now a floating-point number is a (mathematical) rational number of the form  $s \cdot f \cdot b^{e-p}$ , where  $s$  is +1 or -1, the *sign*;  $b$  is an integer greater than 1, the

*base* or *radix* of the representation;  $p$  is a positive integer, the *precision* (in base- $b$  digits) of the floating-point number;  $f$  is a positive integer between  $b^{p-1}$  and  $b^p - 1$  (inclusive), the *significand*; and  $e$  is an integer, the *exponent*. The value of  $p$  and the range of  $e$  depends on the implementation and on the type of floating-point number within that implementation. In addition, there is a floating-point zero; depending on the implementation, there may also be a “minus zero.” If there is no minus zero, then **0.0** and **-0.0** are both interpreted as simply a floating-point zero.

---

**Implementation note:** The form of the above description should not be construed to require the internal representation to be in sign-magnitude form. Two’s-complement and other representations are also acceptable. Note that the radix of the internal representation may be other than 2, as on the IBM 360 and 370, which use radix 16; see **float-radix**.

---

Floating-point numbers may be provided in a variety of precisions and sizes, depending on the implementation. High-quality floating-point software tends to depend critically on the precise nature of the floating-point arithmetic and so may not always be completely portable. As an aid in writing programs that are moderately portable, however, certain definitions are made here:

- A *short* floating-point number (type **short-float**) is of the representation of smallest fixed precision provided by an implementation.
- A *long* floating-point number (type **long-float**) is of the representation of the largest fixed precision provided by an implementation.
- Intermediate between short and long formats are two others, arbitrarily called *single* and *double* (types **single-float** and **double-float**).

The precise definition of these categories is implementation-dependent. However, the rough intent is that short floating-point numbers be precise to at least four decimal places (but also have a space-efficient representation); single floating-point numbers, to at least seven decimal places; and double floating-point numbers, to at least fourteen decimal places. It is suggested that the precision (measured in bits, computed as  $p \log_2 b$ ) and the exponent size (also measured in bits, computed as the base-2 logarithm of 1 plus the maximum exponent value) be at least as great as the values in table 2.1.

Table 2.1: Recommended Minimum Floating-Point Precision and Exponent

Format	Minimum Precision	Minimum Exponent Size
Short	13 bits	5 bits
Single	24 bits	8 bits
Double	50 bits	8 bits
Long	50 bits	8 bits

Floating-point numbers are written in either decimal fraction or computerized scientific notation: an optional sign, then a non-empty sequence of digits with an embedded decimal point, then an optional decimal exponent specification. If there is no exponent specifier, then the decimal point is required, and there must be digits after it. The exponent specifier consists of an exponent marker, an optional sign, and a non-empty sequence of digits. For preciseness, here is a modified-BNF description of floating-point notation.

```

floating-point-number ::= [sign] {digit}* decimal-point {digit}+ [exponent]
                        | [sign] {digit}+ [decimal-point {digit}*] exponent
sign ::= + | -
decimal-point ::= .
digit ::= 0 | 1 | 2 | 3 | 4 | 5 | 6 | 7 | 8 | 9
exponent ::= exponent-marker [sign] {digit}+
exponent-marker ::= e | s | f | d | l | E | S | F | D | L

```

If no exponent specifier is present, or if the exponent marker **e** (or **E**) is used, then the precise format to be used is not specified. When such a representation is read and converted to an internal floating-point data object, the format specified by the variable **\*read-default-float-format\*** is used; the initial value of this variable is **single-float**.

The letters **s**, **f**, **d**, and **l** (or their respective uppercase equivalents) explicitly specify the use of *short*, *single*, *double*, and *long* format, respectively.

Examples of floating-point numbers:

```

0.0           ;Floating-point zero in default format
0E0          ;Also floating-point zero in default format
-.0          ;This may be a zero or a minus zero,
             ; depending on the implementation
0.           ;The integer zero, not a floating-point zero!

```

0.0s0	;A floating-point zero in <i>short</i> format
0s0	;Also a floating-point zero in <i>short</i> format
3.1415926535897932384d0	;A <i>double</i> -format approximation to $\pi$
6.02E+23	;Avogadro's number, in default format
602E+21	;Also Avogadro's number, in default format
3.010299957f-1	;log <sub>10</sub> 2, in <i>single</i> format
-0.000000001s9	;e <sup><math>\pi i</math></sup> in <i>short</i> format, the hard way

The internal format used for an external representation depends only on the exponent marker and not on the number of decimal digits in the external representation.

While Common Lisp provides terminology and notation sufficient to accommodate four distinct floating-point formats, not all implementations will have the means to support that many distinct formats. An implementation is therefore permitted to provide fewer than four distinct internal floating-point formats, in which case at least one of them will be “shared” by more than one of the external format names *short*, *single*, *double*, and *long* according to the following rules:

- If one internal format is provided, then it is considered to be *single*, but serves also as *short*, *double*, and *long*. The data types **short-float**, **single-float**, **double-float**, and **long-float** are considered to be identical. An expression such as `(eql 1.0s0 1.0d0)` will be true in such an implementation because the two numbers **1.0s0** and **1.0d0** will be converted into the same internal format and therefore be considered to have the same data type, despite the differing external syntax. Similarly, `(typep 1.0L0 'short-float)` will be true in such an implementation. For output purposes all floating-point numbers are assumed to be of *single* format and thus will print using the exponent letter **E** or **F**.
- If two internal formats are provided, then either of two correspondences may be used, depending on which is the more appropriate:
  - One format is *short*; the other is *single* and serves also as *double* and *long*. The data types **single-float**, **double-float**, and **long-float** are considered to be identical, but **short-float** is distinct. An expression such as `(eql 1.0s0 1.0d0)` will be false, but `(eql 1.0f0 1.0d0)` will be true. Similarly, `(typep 1.0L0 'short-float)`

will be false, but **(typep 1.0L0 'single-float)** will be true. For output purposes all floating-point numbers are assumed to be of *short* or *single* format.

- One format is *single* and serves also as *short*; the other is *double* and serves also as *long*. The data types **short-float** and **single-float** are considered to be identical, and the data types **double-float** and **long-float** are considered to be identical. An expression such as **(eql 1.0s0 1.0d0)** will be false, as will **(eql 1.0f0 1.0d0)**; but **(eql 1.0d0 1.0L0)** will be true. Similarly, **(typep 1.0L0 'short-float)** will be false, but **(typep 1.0L0 'double-float)** will be true. For output purposes all floating-point numbers are assumed to be of *single* or *double* format.
- If three internal formats are provided, then either of two correspondences may be used, depending on which is the more appropriate:
  - One format is *short*; another format is *single*; and the third format is *double* and serves also as *long*. Similar constraints apply.
  - One format is *single* and serves also as *short*; another is *double*; and the third format is *long*.

---

**Implementation note:** It is recommended that an implementation provide as many distinct floating-point formats as feasible, using table 2.1 as a guideline. Ideally, short-format floating-point numbers should have an “immediate” representation that does not require heap allocation; single-format floating-point numbers should approximate IEEE proposed standard single-format floating-point numbers; and double-format floating-point numbers should approximate IEEE proposed standard double-format floating-point numbers [23, 17, 16].

---

### 2.1.4 Complex Numbers

Complex numbers (type **complex**) are represented in Cartesian form, with a real part and an imaginary part, each of which is a non-complex number (integer, ratio, or floating-point number). It should be emphasized that the parts of a complex number are not necessarily floating-point numbers; in this, Common Lisp is like PL/I and differs from Fortran. However, both

parts must be of the same type: either both are rational, or both are of the same floating-point format.

Complex numbers may be notated by writing the characters `#C` followed by a list of the real and imaginary parts. If the two parts as notated are not of the same type, then they are converted according to the rules of floating-point contagion as described in chapter 12. (Indeed, `#C(a b)` is equivalent to `#, (complex a b)`; see the description of the function `complex`.) For example:

```
#C(3.0s1 2.0s-1) ;Real and imaginary parts are short format
#C(5 -3)          ;A Gaussian integer
#C(5/3 7.0)       ;Will be converted internally to #C(1.66666 7.0)
#C(0 1)           ;The imaginary unit, that is, i
```

The type of a specific complex number is indicated by a list of the word `complex` and the type of the components; for example, a specialized representation for complex numbers with short floating-point parts would be of type `(complex short-float)`. The type `complex` encompasses all complex representations.

A complex number of type `(complex rational)`, that is, one whose components are rational, can never have a zero imaginary part. If the result of a computation would be a complex rational with a zero imaginary part, the result is immediately converted to a non-complex rational number by taking the real part. This is called the rule of *complex canonicalization*. This rule does not apply to floating-point complex numbers; `#C(5.0 0.0)` and `5.0` are different.

## 2.2 Characters

Characters are represented as data objects of type `character`.

A character object can be notated by writing `#\` followed by the character itself. For example, `#\g` means the character object for a lowercase `g`. This works well enough for printing characters. Non-printing characters have names, and can be notated by writing `#\` and then the name; for example, `#\Space` (or `#\SPACE` or `#\space` or `#\sPaCE`) means the space character. The syntax for character names after `#\` is the same as that for symbols. However, only character names that are known to the particular implementation may be used.

### 2.2.1 Standard Characters

Common Lisp defines a standard character set (subtype **standard-char**) for two purposes. Common Lisp programs that are *written* in the standard character set can be read by any Common Lisp implementation; and Common Lisp programs that *use* only standard characters as data objects are most likely to be portable. The Common Lisp character set consists of a space character `#\Space`, a newline character `#\Newline`, and the following ninety-four non-blank printing characters or their equivalents:

```
! " # $ % & ' ( ) * + , - . / 0 1 2 3 4 5 6 7 8 9 : ; < = > ?
@ A B C D E F G H I J K L M N O P Q R S T U V W X Y Z [ \ ] ^ _
` a b c d e f g h i j k l m n o p q r s t u v w x y z { | } ~
```

The Common Lisp standard character set is apparently equivalent to the ninety-five standard ASCII printing characters plus a newline character. Nevertheless, Common Lisp is designed to be relatively independent of the ASCII character encoding. For example, the collating sequence is not specified except to say that digits must be properly ordered, the uppercase letters must be properly ordered, and the lowercase letters must be properly ordered (see `char<` for a precise specification). Other character encodings, particularly EBCDIC, should be easily accommodated (with a suitable mapping of printing characters).

Of the ninety-four non-blank printing characters, the following are used in only limited ways in the syntax of Common Lisp programs:

```
[ ] { } ? ! ^ _ ~ $ %
```

The following characters are called *semi-standard*:

```
#\Backspace #\Tab #\Linefeed #\Page #\Return #\Rubout
```

Not all implementations of Common Lisp need to support them; but those implementations that use the standard ASCII character set should support them, treating them as corresponding respectively to the ASCII characters BS (octal code 010), HT (011), LF (012), FF (014), CR (015), and DEL (177). These characters are not members of the subtype **standard-char** unless synonymous with one of the standard characters specified above. For example, in a given implementation it might be sensible for the implementor to define `#\Linefeed` or `#\Return` to be synonymous with `#\Newline`, or `#\Tab` to be synonymous with `#\Space`.

### 2.2.2 Line Divisions

The treatment of line divisions is one of the most difficult issues in designing portable software, simply because there is so little agreement among operating systems. Some use a single character to delimit lines; the recommended ASCII character for this purpose is the line feed character LF (also called the new line character, NL), but some systems use the carriage return character CR. Much more common is the two-character sequence CR followed by LF. Frequently line divisions have no representation as a character but are implicit in the structuring of a file into records, each record containing a line of text. A deck of punched cards has this structure, for example.

Common Lisp provides an abstract interface by requiring that there be a single character, `#\Newline`, that within the language serves as a line delimiter. (The language C has a similar requirement.) An implementation of Common Lisp must translate between this internal single-character representation and whatever external representation(s) may be used.

---

**Implementation note:** How the character called `#\Newline` is represented internally is not specified here, but it is strongly suggested that the ASCII LF character be used in Common Lisp implementations that use the ASCII character encoding. The ASCII CR character is a workable, but in most cases inferior, alternative.

---

The requirement that a line division be represented as a single character has certain consequences. A character string written in the middle of a program in such a way as to span more than one line must contain exactly one character to represent each line division. Consider this code fragment:

```
(setq a-string "This string
contains
forty-two characters.")
```

Between `g` and `c` there must be exactly one character, `#\Newline`; a two-character sequence, such as `#\Return` and then `#\Newline`, is not acceptable, nor is the absence of a character. The same is true between `s` and `f`.

When the character `#\Newline` is written to an output file, the Common Lisp implementation must take the appropriate action to produce a line division. This might involve writing out a record or translating `#\Newline` to a CR/LF sequence.



---

**Implementation note:** If an implementation uses the ASCII character encoding, uses the CR/LF sequence externally to delimit lines, uses LF to represent `#\Newline` internally, and supports `#\Return` as a data object corresponding to the ASCII character CR, the question arises as to what action to take when the program writes out `#\Return` followed by `#\Newline`. It should first be noted that `#\Return` is not a standard Common Lisp character, and the action to be taken when `#\Return` is written out is therefore not defined by the Common Lisp language. A plausible approach is to buffer the `#\Return` character and suppress it if and only if the next character is `#\Newline` (the net effect is to generate a CR/LF sequence). Another plausible approach is simply to ignore the difficulty and declare that writing `#\Return` and then `#\Newline` results in the sequence CR/CR/LF in the output.

---

### 2.2.3 Non-standard Characters

Any implementation may provide additional characters, whether printing characters or named characters. Some plausible examples:

```
#\pi #\alpha #\Break #\Home-Up #\Escape
```

The use of such characters may render Common Lisp programs non-portable.

## 2.3 Symbols

Symbols are Lisp data objects that serve several purposes and have several interesting characteristics. Every object of type **symbol** has a name, called its *print name*. Given a symbol, one can obtain its name in the form of a string. Conversely, given the name of a symbol as a string, one can obtain the symbol itself. (More precisely, symbols are organized into *packages*, and all the symbols in a package are uniquely identified by name. See chapter 11.)

Symbols have a component called the *property list*, or *plist*. By convention this is always a list whose even-numbered components (calling the first component zero) are symbols, here functioning as property names, and whose odd-numbered components are associated property values. Functions are provided for manipulating this property list; in effect, these allow a symbol to be treated as an extensible record structure.

Symbols are also used to represent certain kinds of variables in Lisp programs, and there are functions for dealing with the values associated with symbols in this role.

A symbol can be notated simply by writing its name. If its name is not empty, and if the name consists only of uppercase alphabetic, numeric, or certain pseudo-alphabetic special characters (but not delimiter characters such as parentheses or space), and if the name of the symbol cannot be mistaken for a number, then the symbol can be notated by the sequence of characters in its name. Any uppercase letters that appear in the (internal) name may be written in either case in the external notation (more on this below). For example:

```
FROBBOZ      ;The symbol whose name is FROBBOZ
frobboz      ;Another way to notate the same symbol
fRObBoz      ;Yet another way to notate it
unwind-protect;A symbol with a - in its name
+$           ;The symbol named +$
1+           ;The symbol named 1+
+1           ;This is the integer 1, not a symbol
pascal_style ;This symbol has an underscore in its name
b^2-4*a*c    ;This is a single symbol!
              ; It has several special characters in its name
file.rel.43  ;This symbol has periods in its name
/usr/games/zor;This symbol has slashes in its name
```

In addition to letters and numbers, the following characters are normally considered to be alphabetic for the purposes of notating symbols:

+ - \* / @ \$ % ^ & \_ = < > ~ .

Some of these characters have conventional purposes for naming things; for example, symbols that name special variables generally have names beginning and ending with \*. The last character listed above, the period, is considered alphabetic *provided* that a token does not consist entirely of periods. A single period standing by itself is used in the notation of conses and dotted lists; a token consisting of two or more periods is syntactically illegal. (The period also serves as the decimal point in the notation of numbers.)

The following characters are also alphabetic by default but are explicitly reserved to the user for definition as reader macro characters (see sec-

tion 22.1.3) or any other desired purpose and therefore should not be used routinely in names of symbols:

? ! [ ] { }

A symbol may have uppercase letters, lowercase letters, or both in its print name. However, the Lisp reader normally converts lowercase letters to the corresponding uppercase letters when reading symbols. The net effect is that most of the time case makes no difference when *notating* symbols. Case *does* make a difference internally and when printing a symbol. Internally the symbols that name all standard Common Lisp functions, variables, and keywords have uppercase names; their names appear in lowercase in this book for readability. Typing such names with lowercase letters works because the function **read** will convert lowercase letters to the equivalent uppercase letters.

**readtable-case**, which controls whether **read** will alter the case of letters read as part of the name of a symbol.

If a symbol cannot be simply notated by the characters of its name because the (internal) name contains special characters or lowercase letters, then there are two “escape” conventions for notating them. Writing a `\` character before any character causes the character to be treated itself as an ordinary character for use in a symbol name; in particular, it suppresses internal conversion of lowercase letters to their uppercase equivalents. If any character in a notation is preceded by `\`, then that notation can never be interpreted as a number. For example:

```
\(           ;The symbol whose name is (
\+1          ;The symbol whose name is +1
\1           ;Also the symbol whose name is +1
\frobboz     ;The symbol whose name is fROBBOZ
3.14159265\s0 ;The symbol whose name is 3.14159265s0
3.14159265\S0 ;A different symbol, whose name is 3.14159265S0
3.14159265s0 ;A short-format floating-point approximation to  $\pi$ 
APL\\360     ;The symbol whose name is APL\360
apl\\360     ;Also the symbol whose name is APL\360
\ (b^2) \ -\ 4*a*c ;The name is (B^2) - 4*A*C;
                  ; it has parentheses and two spaces in it
\ (\b^2) \ -\ 4*a*c ;The name is (b^2) - 4*a*c;
                  ; the letters are explicitly lowercase
```

It may be tedious to insert a `\` before *every* delimiter character in the name of a symbol if there are many of them. An alternative convention is to surround the name of a symbol with vertical bars; these cause every character between them to be taken as part of the symbol's name, as if `\` had been written before each one, excepting only `|` itself and `\`, which must nevertheless be preceded by `\`. For example:

```
|"|           ;The same as writing \"
|(b^2) - 4*a*c| ;The name is (b^2) - 4*a*c
|frobboz|     ;The name is frobboz, not FROBBOZ
|APL\360|    ;The name is APL360, because the \ quotes the 3
|APL\\360|   ;The name is APL\360
|apl\\360|   ;The name is apl\360
|\\|\\|      ;Same as \\|\\|: the name is ||
|(B^2) - 4*A*C| ;The name is (B^2) - 4*A*C;
              ; it has parentheses and two spaces in it
|(b^2) - 4*a*c| ;The name is (b^2) - 4*a*c
```

## 2.4 Lists and Conses

A **cons** is a record structure containing two components called the *car* and the *cdr*. Conses are used primarily to represent lists.

A *list* is recursively defined to be either the empty list or a cons whose *cdr* component is a list. A list is therefore a chain of conses linked by their *cdr* components and terminated by **nil**, the empty list. The *car* components of the conses are called the *elements* of the list. For each element of the list there is a cons. The empty list has no elements at all.

A list is notated by writing the elements of the list in order, separated by blank space (space, tab, or return characters) and surrounded by parentheses.

```
(a b c)           ;A list of three symbols
(2.0s0 (a 1) #\*) ;A list of three things: a short floating-point
                  ; number, another list, and a character object
```

The empty list **nil** therefore can be written as `()`, because it is a list with no elements.

A *dotted list* is one whose last cons does not have **nil** for its *cdr*, rather some other data object (which is also not a cons, or the first-mentioned

cons would not be the last cons of the list). Such a list is called “dotted” because of the special notation used for it: the elements of the list are written between parentheses as before, but after the last element and before the right parenthesis are written a dot (surrounded by blank space) and then the *cdr* of the last cons. As a special case, a single cons is notated by writing the *car* and the *cdr* between parentheses and separated by a space-surrounded dot. For example:

```
(a . 4)      ;A cons whose car is a symbol
              ; and whose cdr is an integer
(a b c . d)  ;A dotted list with three elements whose last cons
              ; has the symbol d in its cdr
```

It is legitimate to write something like **(a b . (c d))**; this means the same as **(a b c d)**. The standard Lisp output routines will never print a list in the first form, however; they will avoid dot notation wherever possible.

Often the term *list* is used to refer either to true lists or to dotted lists. When the distinction is important, the term “true list” will be used to refer to a list terminated by **nil**. Most functions advertised to operate on lists expect to be given true lists. Throughout this book, unless otherwise specified, it is an error to pass a dotted list to a function that is specified to require a list as an argument.

---

**Implementation note:** Implementors are encouraged to use the equivalent of the predicate **endp** wherever it is necessary to test for the end of a list. Whenever feasible, this test should explicitly signal an error if a list is found to be terminated by a non-**nil** atom. However, such an explicit error signal is not required, because some such tests occur in important loops where efficiency is important. In such cases, the predicate **atom** may be used to test for the end of the list, quietly treating any non-**nil** list-terminating atom as if it were **nil**.

---

Sometimes the term *tree* is used to refer to some cons and all the other conses transitively accessible to it through *car* and *cdr* links until non-conses are reached; these non-conses are called the *leaves* of the tree.

Lists, dotted lists, and trees are not mutually exclusive data types; they are simply useful points of view about structures of conses. There are yet other terms, such as *association list*. None of these are true Lisp data types. Conses are a data type, and **nil** is the sole object of type **null**. The Lisp data type **list** is taken to mean the union of the **cons** and **null** data types, and therefore encompasses both true lists and dotted lists.

## 2.5 Arrays

An **array** is an object with components arranged according to a Cartesian coordinate system. In general, these components may be any Lisp data objects.

The number of dimensions of an array is called its *rank* (this terminology is borrowed from APL); the rank is a non-negative integer. Likewise, each dimension is itself a non-negative integer. The total number of elements in the array is the product of all the dimensions.

An implementation of Common Lisp may impose a limit on the rank of an array, but this limit may not be smaller than 7. Therefore, any Common Lisp program may assume the use of arrays of rank 7 or less. (A program may determine the actual limit on array ranks for a given implementation by examining the constant **array-rank-limit**.)

It is permissible for a dimension to be zero. In this case, the array has no elements, and any attempt to access an element is in error. However, other properties of the array, such as the dimensions themselves, may be used. If the rank is zero, then there are no dimensions, and the product of the dimensions is then by definition 1. A zero-rank array therefore has a single element.

An array element is specified by a sequence of indices. The length of the sequence must equal the rank of the array. Each index must be a non-negative integer strictly less than the corresponding array dimension. Array indexing is therefore zero-origin, not one-origin as in (the default case of) Fortran.

As an example, suppose that the variable **foo** names a 3-by-5 array. Then the first index may be 0, 1, or 2, and the second index may be 0, 1, 2, 3, or 4. One may refer to array elements using the function **aref**; for example, (**aref foo 2 1**) refers to element (2, 1) of the array. Note that **aref** takes a variable number of arguments: an array, and as many indices as the array has dimensions. A zero-rank array has no dimensions, and therefore **aref** would take such an array and no indices, and return the sole element of the array.

In general, arrays can be multidimensional, can share their contents with other array objects, and can have their size altered dynamically (either enlarging or shrinking) after creation. A one-dimensional array may also have a *fill pointer*.

Multidimensional arrays store their components in row-major order; that

is, internally a multidimensional array is stored as a one-dimensional array, with the multidimensional index sets ordered lexicographically, last index varying fastest. This is important in two situations: (1) when arrays with different dimensions share their contents, and (2) when accessing very large arrays in a virtual-memory implementation. (The first situation is a matter of semantics; the second, a matter of efficiency.)

An array that is not displaced to another array, has no fill pointer, and is not to have its size adjusted dynamically after creation is called a *simple* array. The user may provide declarations that certain arrays will be simple. Some implementations can handle simple arrays in an especially efficient manner; for example, simple arrays may have a more compact representation than non-simple arrays.

If one or more of the **:adjustable**, **:fill-pointer**, and **:displaced-to** arguments is true when **make-array** is called, then whether the resulting array is simple is unspecified; but if all three arguments are false, then the resulting array is guaranteed to be simple.

### 2.5.1 Vectors

One-dimensional arrays are called *vectors* in Common Lisp and constitute the type **vector** (which is therefore a subtype of **array**). Vectors and lists are collectively considered to be *sequences*. They differ in that any component of a one-dimensional array can be accessed in constant time, whereas the average component access time for a list is linear in the length of the list; on the other hand, adding a new element to the front of a list takes constant time, whereas the same operation on an array takes time linear in the length of the array.

A general vector (a one-dimensional array that can have any data object as an element but that has no additional paraphernalia) can be notated by notating the components in order, separated by whitespace and surrounded by **#(** and **)**. For example:

```
#(a b c)           ;A vector of length 3
#()               ;An empty vector
#(2 3 5 7 11 13 17 19 23 29 31 37 41 43 47)
                  ;A vector containing the primes below 50
```

Note that when the function **read** parses this syntax, it always constructs a *simple* general vector.

---

**Rationale:** Many people have suggested that brackets be used to notate vectors, as `[a b c]` instead of  `#(a b c)`. This notation would be shorter, perhaps more readable, and certainly in accord with cultural conventions in other parts of computer science and mathematics. However, to preserve the usefulness of the user-definable macro-character feature of the function `read`, it is necessary to leave some characters to the user for this purpose. Experience in MacLisp has shown that users, especially implementors of languages for use in artificial intelligence research, often want to define special kinds of brackets. Therefore Common Lisp avoids using brackets and braces for any syntactic purpose.

---

Implementations may provide certain specialized representations of arrays for efficiency in the case where all the components are of the same specialized (typically numeric) type. All implementations provide specialized arrays for the cases when the components are characters (or rather, a special subset of the characters); the one-dimensional instances of this specialization are called *strings*. All implementations are also required to provide specialized arrays of bits, that is, arrays of type `(array bit)`; the one-dimensional instances of this specialization are called *bit-vectors*.

## 2.5.2 Strings

`base-string`  $\equiv$  `(vector base-char)`

`simple-base-string`  $\equiv$  `(simple-array base-char (*))`

An implementation may support other string subtypes as well. All Common Lisp functions that operate on strings treat all strings uniformly; note, however, that it is an error to attempt to insert an extended character into a base string.

The type `string` is therefore a subtype of the type `vector`.

A string can be written as the sequence of characters contained in the string, preceded and followed by a `"` (double quote) character. Any `"` or `\` character in the sequence must additionally have a `\` character before it.

For example:

```
"Foo"           ;A string with three characters in it
""              ;An empty string
"\\"APL\\360?\" he cried." ;A string with twenty characters
"|x| = |-x|"    ;A ten-character string
```



Notice that any vertical bar `|` in a string need not be preceded by a `\`. Similarly, any double quote in the name of a symbol written using vertical-bar notation need not be preceded by a `\`. The double-quote and vertical-bar notations are similar but distinct: double quotes indicate a character string containing the sequence of characters, whereas vertical bars indicate a symbol whose name is the contained sequence of characters.

The characters contained by the double quotes, taken from left to right, occupy locations within the string with increasing indices. The leftmost character is string element number 0, the next one is element number 1, the next one is element number 2, and so on.

Note that the function **prin1** will print any character vector (not just a simple one) using this syntax, but the function **read** will always construct a simple string when it reads this syntax.

### 2.5.3 Bit-Vectors

A bit-vector can be written as the sequence of bits contained in the string, preceded by `#*`; any delimiter character, such as whitespace, will terminate the bit-vector syntax. For example:

```
#*10110    ;A five-bit bit-vector; bit 0 is a 1
#*         ;An empty bit-vector
```

The bits notated following the `#*`, taken from left to right, occupy locations within the bit-vector with increasing indices. The leftmost notated bit is bit-vector element number 0, the next one is element number 1, and so on.

The function **prin1** will print any bit-vector (not just a simple one) using this syntax, but the function **read** will always construct a simple bit-vector when it reads this syntax.

## 2.6 Hash Tables

Hash tables provide an efficient way of mapping any Lisp object (a *key*) to an associated object. They are provided as primitives of Common Lisp because some implementations may need to use internal storage management strategies that would make it very difficult for the user to implement hash tables in a portable fashion. Hash tables are described in chapter 16.

## 2.7 Readtables

A readtable is a data structure that maps characters into syntax types for the Lisp expression parser. In particular, a readtable indicates for each character with syntax *macro character* what its macro definition is. This is a mechanism by which the user may reprogram the parser to a limited but useful extent. See section 22.1.5.

## 2.8 Packages

Packages are collections of symbols that serve as name spaces. The parser recognizes symbols by looking up character sequences in the current package. Packages can be used to hide names internal to a module from other code. Mechanisms are provided for exporting symbols from a given package to the primary “user” package. See chapter 11.

## 2.9 Pathnames

Pathnames are the means by which a Common Lisp program can interface to an external file system in a reasonably implementation-independent manner. See section 23.1.1.

## 2.10 Streams

A stream is a source or sink of data, typically characters or bytes. Nearly all functions that perform I/O do so with respect to a specified stream. The function **open** takes a pathname and returns a stream connected to the file specified by the pathname. There are a number of standard streams that are used by default for various purposes. See chapter 21.

There are subtypes of type **stream**: **broadcast-stream**, **concatenated-stream**, **echo-stream**, **synonym-stream**, **string-stream**, **file-stream**, and **two-way-stream** are disjoint subtypes of **stream**. Note particularly that a synonym stream is always and only of type **synonym-stream**, regardless of the type of the stream for which it is a synonym.

## 2.11 Random-States

An object of type **random-state** is used to encapsulate state information used by the pseudo-random number generator. For more information about **random-state** objects, see section 12.9.

## 2.12 Structures

Structures are instances of user-defined data types that have a fixed number of named components. They are analogous to records in Pascal. Structures are declared using the **defstruct** construct; **defstruct** automatically defines access and constructor functions for the new data type.

Different structures may print out in different ways; the definition of a structure type may specify a print procedure to use for objects of that type (see the **:print-function** option to **defstruct**). The default notation for structures is

```
#S(structure-name
   slot-name-1 slot-value-1
   slot-name-2 slot-value-2
   ...)
```

where **#S** indicates structure syntax, *structure-name* is the name (a symbol) of the structure type, each *slot-name* is the name (also a symbol) of a component, and each corresponding *slot-value* is the representation of the Lisp object in that slot.

## 2.13 Functions

The type **function** is to be disjoint from **cons** and **symbol**, and so a list whose *car* is **lambda** is not, properly speaking, of type **function**, nor is any symbol. However, standard Common Lisp functions that accept functional arguments will accept a symbol or a list whose *car* is **lambda** and automatically coerce it to be a function; such standard functions include **funcall**, **apply**, and **mapcar**. Such functions do not, however, accept a lambda-expression as a functional argument; therefore one may not write

```
(mapcar '(lambda (x y) (sqrt (* x y))) p q)
```

but instead one must write something like

```
(mapcar #'(lambda (x y) (sqrt (* x y))) p q)
```

This change makes it impermissible to represent a lexical closure as a list whose *car* is some special marker.

The value of a **function** special operator will always be of type **function**.

## 2.14 Unreadable Data Objects

Some objects may print in implementation-dependent ways. Such objects cannot necessarily be reliably reconstructed from a printed representation, and so they are usually printed in a format informative to the user but not acceptable to the **read** function: `#<useful information>`. The Lisp reader will signal an error on encountering `#<`.

As a hypothetical example, an implementation might print

```
#<stack-pointer si:rename-within-new-definition-maybe #o311037552>
```

for an implementation-specific “internal stack pointer” data type whose printed representation includes the name of the type, some information about the stack slot pointed to, and the machine address (in octal) of the stack slot.

See **print-unreadable-object**, a macro that prints an object using `#<` syntax.

## 2.15 Overlap, Inclusion, and Disjointness of Types

The Common Lisp data type hierarchy is tangled and purposely left somewhat open-ended so that implementors may experiment with new data types as extensions to the language. This section explicitly states all the defined relationships between types, including subtype/supertype relationships, disjointness, and exhaustive partitioning. The user of Common Lisp should not depend on any relationships not explicitly stated here. For example, it is not valid to assume that because a number is not complex and not rational that it must be a **float**, because implementations are permitted to provide yet other kinds of numbers.

First we need some terminology. If  $x$  is a supertype of  $y$ , then any object of type  $y$  is also of type  $x$ , and  $y$  is said to be a subtype of  $x$ . If types  $x$  and  $y$  are disjoint, then no object (in any implementation) may be both of type  $x$  and of type  $y$ . Types  $a_1$  through  $a_n$  are an *exhaustive union* of type  $x$  if each  $a_j$  is a subtype of  $x$ , and any object of type  $x$  is necessarily of at least one of the types  $a_j$ ;  $a_1$  through  $a_n$  are furthermore an *exhaustive partition* if they are also pairwise disjoint.

- The type **t** is a supertype of every type whatsoever. Every object is of type **t**.
- The type **nil** is a subtype of every type whatsoever. No object is of type **nil**.
- The types **cons**, **symbol**, **array**, **number**, **character**, **hash-table**, **readtable**, **package**, **pathname**, **stream**, **random-state**, and any single other type created by **defstruct** or **defclass** are pairwise disjoint. Type **function** is disjoint from the types **cons**, **symbol**, **array**, **number**, and **character**.  
The type **compiled-function** is a subtype of **function**; implementations are free to define other subtypes of **function**.
- The types **real** and **complex** are pairwise disjoint subtypes of **number**.

---

**Rationale:** It might be thought that **real** and **complex** should form an exhaustive partition of the type **number**. This is purposely avoided here in order to permit compatible experimentation with extensions to the Common Lisp number system.

---

- The types **rational** and **float** are pairwise disjoint subtypes of **real**.

---

**Rationale:** It might be thought that **rational** and **float** should form an exhaustive partition of the type **real**. This is purposely avoided here in order to permit compatible experimentation with extensions to the Common Lisp number system.

---

- The types **integer** and **ratio** are disjoint subtypes of **rational**.

---

**Rationale:** It might be thought that **integer** and **ratio** should form an exhaustive partition of the type **rational**. This is purposely avoided here in order to permit compatible experimentation with extensions to the Common Lisp rational number system.

---

Types **fixnum** and **bignum** do in fact form an exhaustive partition of the type **integer**; more precisely, they voted to specify that the type **bignum** is by definition equivalent to **(and integer (not fixnum))**. This is consistent with the first edition text in section 2.1.1.

I interpret this to mean that implementators could still experiment with such extensions as adding explicit representations of infinity, but such infinities would necessarily be of type **bignum**.

- The types **short-float**, **single-float**, **double-float**, and **long-float** are subtypes of **float**. Any two of them must be either disjoint or identical; if identical, then any other types between them in the above ordering must also be identical to them (for example, if **single-float** and **long-float** are identical types, then **double-float** must be identical to them also).
- The type **null** is a subtype of **symbol**; the only object of type **null** is **nil**.
- The types **cons** and **null** form an exhaustive partition of the type **list**.
- The type **standard-char** is a subtype of **base-char**. The types **base-char** and **extended-char** form an exhaustive partition of **character**.
- The type **string** is a subtype of **vector**; it is the union of all types **(vector c)** such that *c* is a subtype of **character**.
- The type **bit-vector** is a subtype of **vector**, for **bit-vector** means **(vector bit)**.
- The types **(vector t)**, **string**, and **bit-vector** are disjoint.
- The type **vector** is a subtype of **array**; for all types *x*, the type **(vector x)** is the same as the type **(array x (\*))**.

- The type **simple-array** is a subtype of **array**.
- The types **simple-vector**, **simple-string**, and **simple-bit-vector** are disjoint subtypes of **simple-array**, for they mean (**simple-array t (\*)**), the union of all types (**simple-array c (\*)**) such that *c* is a subtype of **character**, and (**simple-array bit (\*)**), respectively.
- The type **simple-vector** is a subtype of **vector** and indeed is a subtype of (**vector t**).
- The type **simple-string** is a subtype of **string**. (Note that although **string** is a subtype of **vector**, **simple-string** is not a subtype of **simple-vector**.)

---

**Rationale:** The hypothetical name **simple-general-vector** would have been more accurate than **simple-vector**, but in this instance euphony and user convenience were deemed more important to the design of Common Lisp than a rigid symmetry.

---

- The type **simple-bit-vector** is a subtype of **bit-vector**. (Note that although **bit-vector** is a subtype of **vector**, **simple-bit-vector** is not a subtype of **simple-vector**.)
- The types **vector** and **list** are disjoint subtypes of **sequence**.
- The types **random-state**, **readtable**, **package**, **pathname**, **stream**, and **hash-table** are pairwise disjoint.

**random-state**, **readtable**, **package**, **pathname**, **stream**, and **hash-table** are pairwise disjoint from a number of other types as well; see note above.

- The types **two-way-stream**, **echo-stream**, **broadcast-stream**, **file-stream**, **synonym-stream**, **string-stream**, and **concatenated-stream** are disjoint subtypes of **stream**.
- Any two types created by **defstruct** are disjoint unless one is a super-type of the other by virtue of the **:include** option.





# Chapter 3

## Scope and Extent

In describing various features of the Common Lisp language, the notions of *scope* and *extent* are frequently useful. These notions arise when some object or construct must be referred to from some distant part of a program. *Scope* refers to the spatial or textual region of the program within which references may occur. *Extent* refers to the interval of time during which references may occur.

As a simple example, consider this program:

```
(defun copy-cell (x) (cons (car x) (cdr x)))
```

The scope of the parameter named **x** is the body of the **defun** form. There is no way to refer to this parameter from any other place but within the body of the **defun**. Similarly, the extent of the parameter **x** (for any particular call to **copy-cell**) is the interval from the time the function is invoked to the time it is exited. (In the general case, the extent of a parameter may last beyond the time of function exit, but that cannot occur in this simple case.)

Within Common Lisp, a referenceable entity is *established* by the execution of some language construct, and the scope and extent of the entity are described relative to the construct and the time (during execution of the construct) at which the entity is established. For the purposes of this discussion, the term “entity” refers not only to Common Lisp data objects, such as symbols and conses, but also to variable bindings (both ordinary and special), catchers, and **go** targets. It is important to distinguish between an entity and a name for the entity. In a function definition such as

```
(defun foo (x y) (* x (+ y 1)))
```

there is a single name,  $\mathbf{x}$ , used to refer to the first parameter of the procedure whenever it is invoked; however, a new binding is established on every invocation. A *binding* is a particular parameter instance. The value of a reference to the name  $\mathbf{x}$  depends not only on the scope within which it occurs (the one in the body of **foo** in the example occurs in the scope of the function definition's parameters) but also on the particular binding or instance involved. (In this case, it depends on the invocation during which the reference is made). More complicated examples appear at the end of this chapter.

There are a few kinds of scope and extent that are particularly useful in describing Common Lisp:

- *Lexical scope.* Here references to the established entity can occur only within certain program portions that are lexically (that is, textually) contained within the establishing construct. Typically the construct will have a part designated the *body*, and the scope of all entities established will be (or include) the body.

Example: the names of parameters to a function normally are lexically scoped.

- *Indefinite scope.* References may occur anywhere, in any program.
- *Dynamic extent.* References may occur at any time in the interval between establishment of the entity and the explicit disestablishment of the entity. As a rule, the entity is disestablished when execution of the establishing construct completes or is otherwise terminated. Therefore entities with dynamic extent obey a stack-like discipline, paralleling the nested executions of their establishing constructs.

Example: the **with-open-file** construct opens a connection to a file and creates a stream object to represent the connection. The stream object has indefinite extent, but the connection to the open file has dynamic extent: when control exits the **with-open-file** construct, either normally or abnormally, the stream is automatically closed.

Example: the binding of a “special” variable has dynamic extent.

- *Indefinite extent.* The entity continues to exist as long as the possibility of reference remains. (An implementation is free to destroy the entity if

it can prove that reference to it is no longer possible. Garbage collection strategies implicitly employ such proofs.)

Example: most Common Lisp data objects have indefinite extent.

Example: the bindings of lexically scoped parameters of a function have indefinite extent. (By contrast, in Algol the bindings of lexically scoped parameters of a procedure have dynamic extent.) The function definition

```
(defun compose (f g)
  #'(lambda (x)
      (funcall f (funcall g x))))
```

when given two arguments, immediately returns a function as its value. The parameter bindings for **f** and **g** do not disappear because the returned function, when called, could still refer to those bindings. Therefore

```
(funcall (compose #'sqrt #'abs) -9.0)
```

produces the value **3.0**. (An analogous procedure would not necessarily work correctly in typical Algol implementations or, for that matter, in most Lisp dialects.)

In addition to the above terms, it is convenient to define *dynamic scope* to mean *indefinite scope and dynamic extent*. Thus we speak of “special” variables as having dynamic scope, or being dynamically scoped, because they have indefinite scope and dynamic extent: a special variable can be referred to anywhere as long as its binding is currently in effect.

The term “dynamic scope” is a misnomer. Nevertheless it is both traditional and useful.

The above definitions do not take into account the possibility of *shadowing*. Remote reference of entities is accomplished by using *names* of one kind or another. If two entities have the same name, then the second may shadow the first, in which case an occurrence of the name will refer to the second and cannot refer to the first.

In the case of lexical scope, if two constructs that establish entities with the same name are textually nested, then references within the inner construct refer to the entity established by the inner one; the inner one shadows

the outer one. Outside the inner construct but inside the outer one, references refer to the entity established by the outer construct. For example:

```
(defun test (x z)
  (let ((z (* x 2))) (print z))
  z)
```

The binding of the variable **z** by the **let** construct shadows the parameter binding for the function **test**. The reference to the variable **z** in the **print** form refers to the **let** binding. The reference to **z** at the end of the function refers to the parameter named **z**.

In the case of dynamic extent, if the time intervals of two entities overlap, then one interval will necessarily be nested within the other one. This is a property of the design of Common Lisp.

---

**Implementation note:** Behind the assertion that dynamic extents nest properly is the assumption that there is only a single program or process. Common Lisp does not address the problems of multiprogramming (timesharing) or multiprocessing (more than one active processor) within a single Lisp environment. The documentation for implementations that extend Common Lisp for multiprogramming or multiprocessing should be very clear on what modifications are induced by such extensions to the rules of extent and scope. Implementors should note that Common Lisp has been carefully designed to allow special variables to be implemented using either the “deep binding” technique or the “shallow binding” technique, but the two techniques have different semantic and performance implications for multiprogramming and multiprocessing.

---

A reference by name to an entity with dynamic extent will always refer to the entity of that name that has been most recently established that has not yet been disestablished. For example:

```
(defun fun1 (x)
  (catch 'trap (+ 3 (fun2 x))))
```

```
(defun fun2 (y)
  (catch 'trap (* 5 (fun3 y))))
```

```
(defun fun3 (z)
  (throw 'trap z))
```

Consider the call `(fun1 7)`. The result will be `10`. At the time the `throw` is executed, there are two outstanding catchers with the name `trap`: one established within procedure `fun1`, and the other within procedure `fun2`. The latter is the more recent, and so the value `7` is returned from the `catch` form in `fun2`. Viewed from within `fun3`, the `catch` in `fun2` shadows the one in `fun1`. Had `fun2` been defined as

```
(defun fun2 (y)
  (catch 'snare (* 5 (fun3 y))))
```

then the two catchers would have different names, and therefore the one in `fun1` would not be shadowed. The result would then have been `7`.

As a rule, this book simply speaks of the scope or extent of an entity; the possibility of shadowing is left implicit.

- Variable bindings normally have lexical scope and indefinite extent.
- Variable bindings for which there is a **dynamic-extent** declaration also have lexical scope and indefinite extent, but objects that are the values of such bindings may have dynamic extent. (The declaration is the programmer's guarantee that the program will behave correctly even if certain of the data objects have only dynamic extent rather than the usual indefinite extent.)
- Bindings of variable names to symbol macros by **symbol-macrolet** have lexical scope and indefinite extent.
- Variable bindings that are declared to be **special** have dynamic scope (indefinite scope and dynamic extent).
- Bindings of function names established, for example, by **flet** and **labels** have lexical scope and indefinite extent.
- Bindings of function names for which there is a **dynamic-extent** declaration also have lexical scope and indefinite extent, but function objects that are the values of such bindings may have dynamic extent.
- Bindings of function names to macros as established by **macrolet** have lexical scope and indefinite extent.
- Condition handlers and restarts have dynamic scope (see chapter 29).

- A catcher established by a **catch** or **unwind-protect** special operator has dynamic scope.
- An exit point established by a **block** construct has lexical scope and dynamic extent. (Such exit points are also established by **do**, **prog**, and other iteration constructs.)
- The **go** targets established by a **tagbody**, named by the tags in the **tagbody**, and referred to by **go** have lexical scope and dynamic extent. (Such **go** targets may also appear as tags in the bodies of **do**, **prog**, and other iteration constructs.)
- Named constants such as **nil** and **pi** have indefinite scope and indefinite extent.

The rules of lexical scoping imply that lambda-expressions appearing in the **function** construct will, in general, result in “closures” over those non-special variables visible to the lambda-expression. That is, the function represented by a lambda-expression may refer to any lexically apparent non-special variable and get the correct value, even if the construct that established the binding has been exited in the course of execution. The **compose** example shown earlier in this chapter provides one illustration of this. The rules also imply that special variable bindings are not “closed over” as they may be in certain other dialects of Lisp.

Constructs that use lexical scope effectively generate a new name for each established entity on each execution. Therefore dynamic shadowing cannot occur (though lexical shadowing may). This is of particular importance when dynamic extent is involved. For example:

```
(defun contorted-example (f g x)
  (if (= x 0)
      (funcall f)
      (block here
        (+ 5 (contorted-example g
                               #'(lambda ()
                                   (return-from here 4))
                               (- x 1)))))))
```

Consider the call (**contorted-example nil nil 2**). This produces the result **4**. During the course of execution, there are three calls on **contorted-example**, interleaved with two establishments of blocks:

```

(contorted-example nil nil 2)

(block here1 ...)

(contorted-example nil #'(lambda () (return-from here1 4)) 1)

(block here2 ...)

(contorted-example #'(lambda () (return-from here1 4))
  #'(lambda () (return-from here2 4))
  0)
(funcall f)
  where f ⇒ #'(lambda () (return-from here1 4))

(return-from here1 4)

```

At the time the **funcall** is executed there are two **block** exit points outstanding, each apparently named **here**. In the trace above, these exit points are distinguished for expository purposes by subscripts. The **return-from** form executed as a result of the **funcall** operation refers to the *outer* outstanding exit point (**here<sub>1</sub>**), not the inner one (**here<sub>2</sub>**). This is a consequence of the rules of lexical scoping: it refers to that exit point textually visible at the point of execution of the **function** construct (here abbreviated by the **#'** syntax) that resulted in creation of the function object actually invoked by the **funcall**.

If, in this example, one were to change the form (**funcall f**) to (**funcall g**), then the value of the call (**contorted-example nil nil 2**) would be **9**. The value would change because the **funcall** would cause the execution of (**return-from here<sub>2</sub> 4**), thereby causing a return from the inner exit point (**here<sub>2</sub>**). When that occurs, the value **4** is returned from the middle invocation of **contorted-example**, **5** is added to that to get **9**, and that value is returned from the outer block and the outermost call to **contorted-example**. The point is that the choice of exit point returned from has nothing to do with its being innermost or outermost; rather, it depends on the lexical scoping information that is effectively packaged up with a lambda-expression when the **function** construct is executed.

This function **contorted-example** works only because the function named by **f** is invoked during the extent of the exit point. Block exit points

are like non-special variable bindings in having lexical scope, but they differ in having dynamic extent rather than indefinite extent. Once the flow of execution has left the block construct, the exit point is disestablished. For example:

```
(defun illegal-example ()
  (let ((y (block here #'(lambda (z) (return-from here z)))))
    (if (numberp y) y (funcall y 5))))
```

One might expect the call (**illegal-example**) to produce **5** by the following incorrect reasoning: the **let** statement binds the variable **y** to the value of the **block** construct; this value is a function resulting from the lambda-expression. Because **y** is not a number, it is invoked on the value **5**. The **return-from** should then return this value from the exit point named **here**, thereby exiting from the block *again* and giving **y** the value **5** which, being a number, is then returned as the value of the call to **illegal-example**.

The argument fails only because exit points are defined in Common Lisp to have dynamic extent. The argument is correct up to the execution of the **return-from**. The execution of the **return-from** is an error, however, *not* because it cannot refer to the exit point, but because it does correctly refer to an exit point *and* that exit point has been disestablished.



# Chapter 4

## Type Specifiers

In Common Lisp, types are named by Lisp objects, specifically symbols and lists, called *type specifiers*. Symbols name predefined classes of objects, whereas lists usually indicate combinations or specializations of simpler types. Symbols or lists may also be abbreviations for types that could be specified in other ways.

### 4.1 Type Specifier Symbols

The type symbols defined by the system include those shown in table 4.1. In addition, when a structure type is defined using **defstruct**, the name of the structure type becomes a valid type symbol.

### 4.2 Type Specifier Lists

If a type specifier is a list, the *car* of the list is a symbol, and the rest of the list is subsidiary type information. In many cases a subsidiary item may be *unspecified*. The unspecified subsidiary item is indicated by writing **\***. For example, to completely specify a vector type, one must mention the type of the elements and the length of the vector, as for example

```
(vector double-float 100)
```

To leave the length unspecified, one would write

```
(vector double-float *)
```

Table 4.1: Standard Type Specifier Symbols

array	fixnum	package	simple-string
atom	float	pathname	simple-vector
bignum	function	random-state	single-float
bit	hash-table	ratio	standard-char
bit-vector	integer	rational	stream
character	keyword	readtable	string
	list	sequence	
compiled-function	long-float	short-float	symbol
complex	nil	signed-byte	t
cons	null	simple-array	unsigned-byte
double-float	number	simple-bit-vector	vector

To leave the element type unspecified, one would write

```
(vector * 100)
```

One may also leave both length and element type unspecified:

```
(vector * *)
```

Suppose that two type specifiers are the same except that the first has a `*` where the second has a more explicit specification. Then the second denotes a subtype of the type denoted by the first.

As a convenience, if a list has one or more unspecified items at the end, such items may simply be dropped rather than writing an explicit `*` for each one. If dropping all occurrences of `*` results in a singleton list, then the parentheses may be dropped as well (the list may be replaced by the symbol in its *car*). For example, **(vector double-float \*)** may be abbreviated to **(vector double-float)**, and **(vector \* \*)** may be abbreviated to **(vector)** and then to simply **vector**.

### 4.3 Predicating Type Specifiers

A type specifier list (**satisfies *predicate-name***) denotes the set of all objects that satisfy the predicate named by *predicate-name*, which must be

a symbol whose global function definition is a one-argument predicate. (A name is required; lambda-expressions are disallowed in order to avoid scoping problems.) For example, the type (**satisfies numberp**) is the same as the type **number**. The call (**typep x '(satisfies p)**) results in applying **p** to **x** and returning **t** if the result is true and **nil** if the result is false.

It is not a good idea for a predicate appearing in a **satisfies** type specifier to cause any side effects when invoked.

## 4.4 Type Specifiers That Combine

The following type specifier lists define a type in terms of other types or objects.

**(member *object1 object2 ...*)** This denotes the set containing precisely those objects named. An object is of this type if and only if it is **eql** to one of the specified objects.

**(eql *object*)** It may be used as a parameter specializer for CLOS methods (see section 28.1.6 and **find-method**). It denotes the set of the one object named; an object is of this type if and only if it is **eql** to *object*. While **(eql *object*)** denotes the same type as **(member *object*)**, only **(eql *object*)** may be used as a CLOS parameter specializer.

**(not *type*)** This denotes the set of all those objects that are *not* of the specified type.

**(and *type1 type2 ...*)** This denotes the intersection of the specified types.

When **typep** processes an **and** type specifier, it always tests each of the component types in order from left to right and stops processing as soon as one component of the intersection has been found to which the object in question does not belong. In this respect an **and** type specifier is similar to an executable **and** form. The purpose of this similarity is to allow a **satisfies** type specifier to depend on filtering by previous type specifiers. For example, suppose there were a function **primep** that takes an integer and says whether it is prime. Suppose also that it is an error to give any object other than an integer to **primep**. Then the type specifier

(and integer (satisfies primep))

is guaranteed never to result in an error because the function **primep** will not be invoked unless the object in question has already been determined to be an integer.

(or *type1 type2 ...*) This denotes the union of the specified types. For example, the type **list** by definition is the same as (or **null cons**). Also, the value returned by the function **position** is always of type (or **null (integer 0 \*)**) (either **nil** or a non-negative integer).

As for **and**, when **typep** processes an **or** type specifier, it always tests each of the component types in order from left to right and stops processing as soon as one component of the union has been found to which the object in question belongs.

## 4.5 Type Specifiers That Specialize

Some type specifier lists denote *specializations* of data types named by symbols. These specializations may be reflected by more efficient representations in the underlying implementation. As an example, consider the type (**array short-float**). Implementation A may choose to provide a specialized representation for arrays of short floating-point numbers, and implementation B may choose not to.

If you should want to create an array for the express purpose of holding only short-float objects, you may optionally specify to **make-array** the element type **short-float**. This does not *require* **make-array** to create an object of type (**array short-float**); it merely *permits* it. The request is construed to mean “Produce the most specialized array representation capable of holding short-floats that the implementation can provide.” Implementation A will then produce a specialized array of type (**array short-float**), and implementation B will produce an ordinary array of type (**array t**).

If one were then to ask whether the array were actually of type (**array short-float**), implementation A would say “yes,” but implementation B would say “no.” This is a property of **make-array** and similar functions: what you ask for is not necessarily what you get.

X3J13 voted in January 1989 to eliminate the differing treatment of types when used “for discrimination” rather than “for declaration” on the grounds

that implementors have not treated the distinction consistently and (which is more important) users have found the distinction confusing.

As a consequence of this change, the behavior of **typep** and **subtypep** on **array** and **complex** type specifiers must be modified. See the descriptions of those functions. In particular, under their new behavior, implementation B would say “yes,” agreeing with implementation A, in the discussion above.

Note that the distinction between declaration and discrimination remains useful, if only so that we may remark that the specialized (list) form of the **function** type specifier may still be used only for declaration and not for discrimination.

X3J13 voted in June 1988 to clarify that while the specialized form of the **function** type specifier (a list of the symbol **function** possibly followed by argument and value type specifiers) may be used only for declaration, the symbol form (simply the name **function**) may be used for discrimination.

The valid list-format names for data types are as follows:

**(array *element-type dimensions*)** This denotes the set of specialized arrays whose elements are all members of the type *element-type* and whose dimensions match *dimensions*. For declaration purposes, this type encompasses those arrays that can result by specifying *element-type* as the element type to the function **make-array**; this may be different from what the type means for discrimination purposes. *element-type* must be a valid type specifier or unspecified. *dimensions* may be a non-negative integer, which is the number of dimensions, or it may be a list of non-negative integers representing the length of each dimension (any dimension may be unspecified instead), or it may be unspecified. For example:

```
(array integer 3)           ;Three-dimensional arrays of integers
(array integer (* * *))    ;Three-dimensional arrays of integers
(array * (4 5 6))         ;4-by-5-by-6 arrays
(array character (3 *))    ;Two-dimensional arrays of characters
                          ; that have exactly three rows
(array short-float ())     ;Zero-rank arrays of short-format
                          ; floating-point numbers
```

Note that **(array t)** is a proper subset of **(array \*)**. The reason is that **(array t)** is the set of arrays that can hold any Common Lisp

object (the elements are of type **t**, which includes all objects). On the other hand, **(array \*)** is the set of all arrays whatsoever, including, for example, arrays that can hold only characters. Now **(array character)** is not a subset of **(array t)**; the two sets are in fact disjoint because **(array character)** is not the set of all arrays that can hold characters but rather the set of arrays that are specialized to hold precisely characters and no other objects. To test whether an array **foo** can hold a character, one should not use

```
(typep foo '(array character))
```

but rather

```
(subtypep 'character (array-element-type foo))
```

See **array-element-type**. X3J13 voted in January 1989 to change **typep** and **subtypep** so that the specialized **array** type specifier means the same thing for discrimination as for declaration: it encompasses those arrays that can result by specifying *element-type* as the element type to the function **make-array**. Under this interpretation **(array character)** might be the same type as **(array t)** (although it also might not be the same). See **upgraded-array-element-type**. However,

```
(typep foo '(array character))
```

is still not a legitimate test of whether the array **foo** can hold a character; one must still say

```
(subtypep 'character (array-element-type foo))
```

to determine that question.

X3J13 also voted in January 1989 to specify that within the lexical scope of an array type declaration, it is an error for an array element, when referenced, not to be of the exact declared element type. A compiler may, for example, treat every reference to an element of a declared array as if the reference were surrounded by a **the** form mentioning the declared array element type (*not* the upgraded array element type). Thus

```
(defun snarf-hex-digits (the-array)
  (declare (type (array (unsigned-byte 4) 1) the-array))
  (do ((j (- (length array) 1) (- j 1))
      (val 0 (logior (ash val 4)
                    (aref the-array j))))
      ((< j 0) val)))
```

may be treated as

```
(defun snarf-hex-digits (the-array)
  (declare (type (array (unsigned-byte 4) 1) the-array))
  (do ((j (- (length array) 1) (- j 1))
      (val 0 (logior (ash val 4)
                    (the (unsigned-byte 4)
                        (aref the-array j)))))
      ((< j 0) val)))
```

The declaration amounts to a promise by the user that the **aref** will never produce a value outside the interval 0 to 15, even if in that particular implementation the array element type (**unsigned-byte 4**) is upgraded to, say, (**unsigned-byte 8**). If such upgrading does occur, then values outside that range may in fact be stored in **the-array**, as long as the code in **snarf-hex-digits** never sees them.

As a general rule, a compiler would be justified in transforming

```
(aref (the (array elt-type ...) a) ...)
```

into

```
(the elt-type (aref (the (array elt-type ...) a) ...))
```

It may also make inferences involving more complex functions, such as **position** or **find**. For example, **find** applied to an array always returns either **nil** or an object whose type is the element type of the array.

X3J13 voted in January 1989 to change **typep** and **subtypep** so that the specialized **array** type specifier means the same thing for discrimination as for declaration: it encompasses those arrays that can result

by specifying *element-type* as the element type to the function **make-array**. Under this interpretation (**array character**) might be the same type as (**array t**) (although it also might not be the same). See **upgraded-array-element-type**. However,

```
(typep foo '(array character))
```

is still not a legitimate test of whether the array **foo** can hold a character; one must still say

```
(subtypep 'character (array-element-type foo))
```

to determine that question.

As a general rule, a compiler would be justified in transforming

```
(aref (the (array elt-type ...) a) ...)
```

into

```
(the elt-type (aref (the (array elt-type ...) a) ...))
```

It may also make inferences involving more complex functions, such as **position** or **find**. For example, **find** applied to an array always returns either **nil** or an object whose type is the element type of the array.

**(simple-array *element-type dimensions*)** This is equivalent to (**array *element-type dimensions***) except that it additionally specifies that objects of the type are *simple* arrays (see section 2.5).

**(vector *element-type size*)** This denotes the set of specialized one-dimensional arrays whose elements are all of type *element-type* and whose lengths match *size*. This is entirely equivalent to (**array *element-type (size)***). For example:

```
(vector double-float) ; Vectors of double-format
                        ; floating-point numbers
(vector * 5)           ; Vectors of length 5
(vector t 5)           ; General vectors of length 5
(vector (mod 32) *)    ; Vectors of integers between 0 and 31
```



Type **string** is the union of one or more specialized vector types, the types of whose elements are subtypes of the type **character**.

(**simple-vector *size***) This is the same as (**vector *t size***) except that it additionally specifies that its elements are *simple* general vectors.

(**complex *type***) Every element of this type is a complex number whose real part and imaginary part are each of type *type*. For declaration purposes, this type encompasses those complex numbers that can result by giving numbers of the specified type to the function **complex**; this may be different from what the type means for discrimination purposes. As an example, Gaussian integers might be described as (**complex integer**), even in implementations where giving two integers to the function **complex** results in an object of type (**complex rational**).

X3J13 voted in January 1989 to change **typep** and **subtypep** so that the specialized **complex** type specifier means the same thing for discrimination purposes as for declaration purposes. See **upgraded-complex-part-type**.

(**function (*arg1-type arg2-type ...*) *value-type***) This type may be used only for declaration and not for discrimination; **typep** will signal an error if it encounters a specifier of this form. Every element of this type is a function that accepts arguments at *least* of the types specified by the *argj-type* forms and returns a value that is a member of the types specified by the *value-type* form. The **&optional**, **&rest**, and **&key** markers may appear in the list of argument types. The *value-type* may be a **values** type specifier in order to indicate the types of multiple values.

The *arg-type* that follows a **&rest** marker indicates the type of each actual argument that would be gathered into the list for a **&rest** parameter, and not the type of the **&rest** parameter itself (which is always **list**). Thus one might declare the function **gcd** to be of type (**function (&rest integer) integer**), or the function **aref** to be of type (**function (array &rest fixnum) t**).

A declaration specifier of the form

(ftype (function (*arg1-type arg2-type ... argn-type*) *value-type*) *fname*)

implies that any function call of the form

*(fname arg1 arg2 ...)*

within the scope of the declaration can be treated as if it were rewritten to use **the**-forms in the following manner:

*(the value-type*  
     *(fname (the arg1-type arg1)*  
         *(the arg2-type arg2)*  
         ...  
         *(the argn-type argn)))*

That is, it is an error for any of the actual arguments not to be of its specified type *arg-type* or for the result not to be of the specified type *value-type*. (In particular, if any argument is not of its specified type, then the result is not guaranteed to be of the specified type—if indeed a result is returned at all.)

Similarly, a declaration specifier of the form

*(type (function (arg1-type arg2-type ... argn-type) value-type) var)*

is interpreted to mean that any reference to the variable *var* will find that its value is a function, and that it is an error to call this function with any actual argument not of its specified type *arg-type*. Also, it is an error for the result not to be of the specified type *value-type*. For example, a function call of the form

*(funcall var arg1 arg2 ...)*

could be rewritten to use **the**-forms as well. If any argument is not of its specified type, then the result is not guaranteed to be of the specified type—if indeed a result is returned at all.

Thus, a **type** or **ftype** declaration specifier describes type requirements imposed on calls to a function as opposed to requirements imposed on the definition of the function. This is analogous to the treatment of type declarations of variables as imposing type requirements on references

to variables, rather than on the contents of variables. See the vote of X3J13 on **type** declaration specifiers in general, discussed in section 9.2.

In the same manner as for variable type declarations in general, if two or more of these declarations apply to the same function call (which can occur if declaration scopes are suitably nested), then they all apply; in effect, the types for each argument or result are intersected. For example, the code fragment

```
(locally (declare (ftype (function (biped) digit)
                        butcher-fudge))
 (locally (declare (ftype (function (featherless) opposable)
                        butcher-fudge))
 (butcher-fudge sam)))
```

may be regarded as equivalent to

```
(the opposable
 (the digit (butcher-fudge (the featherless
                          (the biped sam))))))
```

or to

```
(the (and opposable digit)
 (butcher-fudge (the (and featherless biped) sam)))
```

That is, **sam** had better be both **featherless** and a **biped**, and the result of **butcher-fudge** had better be both **opposable** and a **digit**; otherwise the code is in error. Therefore a compiler may generate code that relies on these type assumptions, for example.

**(values *value1-type value2-type ...*)** This type specifier is extremely restricted: it may be used *only* as the *value-type* in a **function** type specifier or in a **the** special operator. It is used to specify individual types when multiple values are involved. The **&optional**, **&rest**, and **&key** markers may appear in the *value-type* list; they thereby indicate the parameter list of a function that, when given to **multiple-value-call** along with the values, would be suitable for receiving those values.

## 4.6 Type Specifiers That Abbreviate

The following type specifiers are, for the most part, abbreviations for other type specifiers that would be far too verbose to write out explicitly (using, for example, **member**).

**(integer *low high*)** Denotes the integers between *low* and *high*. The limits *low* and *high* must each be an integer, a list of an integer, or unspecified. An integer is an inclusive limit, a list of an integer is an exclusive limit, and \* means that a limit does not exist and so effectively denotes minus or plus infinity, respectively. The type **fixnum** is simply a name for **(integer *smallest largest*)** for implementation-dependent values of *smallest* and *largest* (see **most-negative-fixnum** and **most-positive-fixnum**). The type **(integer 0 1)** is so useful that it has the special name **bit**.

**(mod *n*)** Denotes the set of non-negative integers less than *n*. This is equivalent to **(integer 0 *n* - 1)** or to **(integer 0 (*n*))**.

**(signed-byte *s*)** Denotes the set of integers that can be represented in two's-complement form in a byte of *s* bits. This is equivalent to **(integer  $-2^{s-1}$   $2^{s-1} - 1$ )**. Simply **signed-byte** or **(signed-byte \*)** is the same as **integer**.

**(unsigned-byte *s*)** Denotes the set of non-negative integers that can be represented in a byte of *s* bits. This is equivalent to **(mod  $2^s$ )**, that is, **(integer 0  $2^s - 1$ )**. Simply **unsigned-byte** or **(unsigned-byte \*)** is the same as **(integer 0 \*)**, the set of non-negative integers.

**(rational *low high*)** Denotes the rationals between *low* and *high*. The limits *low* and *high* must each be a rational, a list of a rational, or unspecified. A rational is an inclusive limit, a list of a rational is an exclusive limit, and \* means that a limit does not exist and so effectively denotes minus or plus infinity, respectively.

**(float *low high*)** Denotes the set of floating-point numbers between *low* and *high*. The limits *low* and *high* must each be a floating-point number, a list of a floating-point number, or unspecified; a floating-point

number is an inclusive limit, a list of a floating-point number is an exclusive limit, and \* means that a limit does not exist and so effectively denotes minus or plus infinity, respectively.

In a similar manner, one may use:

(short-float *low high*)  
 (single-float *low high*)  
 (double-float *low high*)  
 (long-float *low high*)

In this case, if a limit is a floating-point number (or a list of one), it must be one of the appropriate format.

**(real *low high*)** Denotes the real numbers between *low* and *high*. The limits *low* and *high* must each be a real, a list of a real, or unspecified. A real is an inclusive limit, a list of a real is an exclusive limit, and \* means that a limit does not exist and so effectively denotes minus or plus infinity, respectively.

**(base-string *size*)** Means the same as **(vector base-char *size*)**: the set of base strings of the indicated size.

**(simple-base-string *size*)** Means the same as **(simple-array base-char (*size*))**: the set of simple base strings of the indicated size.

**(bit-vector *size*)** Means the same as **(array bit (*size*))**: the set of bit-vectors of the indicated size.

**(simple-bit-vector *size*)** This means the same as **(simple-array bit (*size*))**: the set of bit-vectors of the indicated size.

## 4.7 Defining New Type Specifiers

New type specifiers can come into existence in two ways. First, defining a new structure type with **defstruct** automatically causes the name of the structure to be a new type specifier symbol. Second, the **deftype** special operator can be used to define new type-specifier abbreviations.

*[Macro]* **deftype** name lambda-list [{declaration}\* | doc-string] {form}\*

This is very similar to a **defmacro** form: *name* is the symbol that identifies the type specifier being defined, *lambda-list* is a lambda-list (and may

contain **&optional** and **&rest** markers), and the *forms* constitute the body of the expander function. If we view a type specifier list as a list containing the type specifier name and some argument forms, the argument forms (un-evaluated) are bound to the corresponding parameters in *lambda-list*. Then the body forms are evaluated as an implicit **progn**, and the value of the last form is interpreted as a new type specifier for which the original specifier was an abbreviation. The *name* is returned as the value of the **deftype** form.

**deftype** differs from **defmacro** in that if no *initform* is specified for an **&optional** parameter, the default value is **\***, not **nil**.

If the optional documentation string *doc-string* is present, then it is attached to the *name* as a documentation string of type **type**; see **documentation**.

Here are some examples of the use of **deftype**:

```
(deftype mod (n) '(integer 0 (,n)))
```

```
(deftype list () '(or null cons))
```

```
(deftype square-matrix (&optional type size)
  "SQUARE-MATRIX includes all square two-dimensional arrays."
  '(array ,type (,size ,size)))
```

```
(square-matrix short-float 7) means (array short-float (7 7))
```

```
(square-matrix bit) means (array bit (* *))
```

```
(deftype square-matrix (&optional type size)
  "SQUARE-MATRIX includes all square two-dimensional arrays."
  '(array ,type (,size ,size)))
```

```
(square-matrix short-float 7) означает (array short-float (7 7))
```

```
(square-matrix bit) означает (array bit (* *))
```

If the type name defined by **deftype** is used simply as a type specifier symbol, it is interpreted as a type specifier list with no argument forms. Thus, in the example above, **square-matrix** would mean (**array \* (\* \*)**), the set of two-dimensional arrays. This would unfortunately fail to convey the constraint that the two dimensions be the same; (**square-matrix bit**) has the same problem. A better definition is

```
(defun equidimensional (a)
  (or (< (array-rank a) 2)
      (apply #'= (array-dimensions a))))

(deftype square-matrix (&optional type size)
  '(and (array ,type (,size ,size))
        (satisfies equidimensional)))
```

The body of the expander function defined by **deftype** is implicitly enclosed in a **block** construct whose name is the same as the *name* of the defined type. Therefore **return-from** may be used to exit from the function.

While defining forms normally appear at top level, it is meaningful to place them in non-top-level contexts; **deftype** must define the expander function within the enclosing lexical environment, not within the global environment.

## 4.8 Type Conversion Function

The following function may be used to convert an object to an equivalent object of another type.

*[Function]* **coerce** *object result-type*

The *result-type* must be a type specifier; the *object* is converted to an “equivalent” object of the specified type. If the coercion cannot be performed, then an error is signaled. In particular, (**coerce** *x* **'nil**) always signals an error. If *object* is already of the specified type, as determined by **typep**, then it is simply returned. It is not generally possible to convert any object to be of any type whatsoever; only certain conversions are permitted:

- Any sequence type may be converted to any other sequence type, provided the new sequence can contain all actual elements of the old sequence (it is an error if it cannot). If the *result-type* is specified as simply **array**, for example, then (**array** *t*) is assumed. A specialized type such as **string** or (**vector** (**complex short-float**)) may be specified; of course, the result may be of either that type or some more general type, as determined by the implementation. Elements

of the new sequence will be **eql** to corresponding elements of the old sequence. If the *sequence* is already of the specified type, it may be returned without copying it; in this, (**coerce sequence type**) differs from (**concatenate type sequence**), for the latter is required to copy the argument *sequence*. In particular, if one specifies **sequence**, then the argument may simply be returned if it already is a **sequence**.

(coerce '(a b c) 'vector) ⇒ #(a b c)

**coerce** should signal an error if the new sequence type specifies the number of elements and the old sequence has a different length.

If the *result-type* is **string** then it is understood to mean (**vector character**), and **simple-string** is understood to mean (**simple-array character (\*)**).

- Any non-complex number can be converted to a **short-float**, **single-float**, **double-float**, or **long-float**. If simply **float** is specified, and *object* is not already a **float** of some kind, then the object is converted to a **single-float**.

(coerce 0 'short-float) ⇒ 0.0S0

(coerce 3.5L0 'float) ⇒ 3.5L0

(coerce 7/2 'float) ⇒ 3.5

- Any number can be converted to a complex number. If the number is not already complex, then a zero imaginary part is provided by coercing the integer zero to the type of the given real part. (If the given real part is rational, however, then the rule of canonical representation for complex rationals will result in the immediate re-conversion of the result from type **complex** back to type **rational**.)

(coerce 4.5s0 'complex) ⇒ #C(4.5S0 0.0S0)

(coerce 7/2 'complex) ⇒ 7/2

(coerce #C(7/2 0) '(complex double-float))

⇒ #C(3.5D0 0.0D0)

- Any object may be coerced to type **t**.



(coerce x 't)  $\equiv$  (identity x)  $\equiv$  x

- A symbol or lambda-expression can be converted to a function. A symbol is coerced to type **function** as if by applying **symbol-function** to the symbol; an error is signaled if the predicate **fboundp** is not true of the symbol or if the symbol names a macro or special operator. A list  $x$  whose *car* is the symbol **lambda** is coerced to a function as if by execution of (**eval** '#', $x$ ), that is, of (**eval** (**list** 'function  $x$ )).

Coercions from floating-point numbers to rationals and from ratios to integers are purposely *not* provided because of rounding problems. The functions **rational**, **rationalize**, **floor**, **ceiling**, **truncate**, and **round** may be used for such purposes. Similarly, coercions from characters to integers are purposely not provided; **char-code** or **char-int** may be used explicitly to perform such conversions.

## 4.9 Determining the Type of an Object

The following function may be used to obtain a type specifier describing the type of a given object.

[Function] **type-of** *object*

There are the following constraints on **type-of**:

- Let  $x$  be an object such that (**typep**  $x$  *type*) is true and *type* is one of the following:

array	float	package	sequence
bit-vector	function	pathname	short-float
character	hash-table	random-state	single-float
complex	integer	ratio	stream
condition	long-float	rational	string
cons	null	readtable	symbol
double-float	number	restart	vector

Then (**subtypep** (**type-of**  $x$ ) *type*) must return the values **t** and **t**; that is, **type-of** applied to  $x$  must return either *type* itself or a subtype of *type* that **subtypep** can recognize in that implementation.

- For any object  $x$ , **(subtypep (type-of  $x$ ) (class-of  $x$ ))** must produce the values **t** and **t**.
- For every object  $x$ , **(typep  $x$  (type-of  $x$ ))** must be true. (This implies that **type-of** can never return **nil**, for no object is of type **nil**.)
- **type-of** never returns **t** and never uses a **satisfies**, **and**, **or**, **not**, or **values** type specifier in its result.
- For objects of CLOS metaclass **structure-class** or of **standard-class**, **type-of** returns the proper name of the class returned by **class-of** if it has a proper name, and otherwise returns the class itself. In particular, for any object created by a **defstruct** constructor function, where the **defstruct** had the name *name* and no **:type** option, **type-of** will return *name*.

As an example, **(type-of "acetylcholinesterase")** may return **string** or **simple-string** or **(simple-string 20)**, but not **array** or **simple-vector**. As another example, it is permitted for **(type-of 1729)** to return **integer** or **fixnum** (if it is indeed a fixnum) or **(signed-byte 16)** or **(integer 1729 1729)** or **(integer 1685 1750)** or even **(mod 1730)**, but not **rational** or **number**, because

```
(typep (+ (expt 9 3) (expt 10 3)) 'integer)
```

is true, **integer** is in the list of types mentioned above, and

```
(subtypep (type-of (+ (expt 1 3) (expt 12 3))) 'integer)
```

would be false if **type-of** were to return **rational** or **number**.

## 4.10 Type Upgrading

There are functions by which a program can determine, in a given Common Lisp implementation, how that implementation will *upgrade* a type when constructing an array specialized to contain elements of that type, or a complex number specialized to contain parts of that type.

*[Function]* **upgraded-array-element-type** *type*

A type specifier is returned, indicating the element type of the most specialized array representation capable of holding items of the specified argument *type*. The result is necessarily a supertype of the given *type*. Furthermore, if a type *A* is a subtype of type *B*, then (**upgraded-array-element-type A**) is a subtype of (**upgraded-array-element-type B**).

The manner in which an array element type is upgraded depends only on the element type as such and not on any other property of the array such as size, rank, adjustability, presence or absence of a fill pointer, or displacement.

---

**Rationale:** If upgrading were allowed to depend on any of these properties, all of which can be referred to, directly or indirectly, in the language of type specifiers, then it would not be possible to displace an array in a consistent and dependable manner to another array created with the same **:element-type** argument but differing in one of these properties.

---

Note that **upgraded-array-element-type** could be defined as

```
(defun upgraded-array-element-type (type)
  (array-element-type (make-array 0 :element-type type)))
```

but this definition has the disadvantage of allocating an array and then immediately discarding it. The clever implementor surely can conjure up a more practical approach.

*[Function]* **upgraded-complex-part-type** *type*

A type specifier is returned, indicating the element type of the most specialized complex number representation capable of having parts of the specified argument *type*. The result is necessarily a supertype of the given *type*. Furthermore, if a type *A* is a subtype of type *B*, then (**upgraded-complex-part-type A**) is a subtype of (**upgraded-complex-part-type B**).



# Chapter 5

## Program Structure

In chapter 2 the syntax was sketched for notating data objects in Common Lisp. The same syntax is used for notating programs because all Common Lisp programs have a representation as Common Lisp data objects.

Lisp programs are organized as forms and functions. Forms are *evaluated* (relative to some context) to produce values and side effects. Functions are invoked by *applying* them to arguments. The most important kind of form performs a function call; conversely, a function performs computation by evaluating forms.

In this chapter, forms are discussed first and then functions. Finally, certain “top level” special operators are discussed; the most important of these is **defun**, whose purpose is to define a named function.

### 5.1 Forms

The standard unit of interaction with a Common Lisp implementation is the *form*, which is simply a data object meant to be *evaluated* as a program to produce one or more *values* (which are also data objects). One may request evaluation of *any* data object, but only certain ones are meaningful. For instance, symbols and lists are meaningful forms, while arrays normally are not. Examples of meaningful forms are **3**, whose value is **3**, and **(+ 3 4)**, whose value is **7**. We write **3**  $\Rightarrow$  **3** and **(+ 3 4)**  $\Rightarrow$  **7** to indicate these facts. ( $\Rightarrow$  means “evaluates to.”)

Meaningful forms may be divided into three categories: self-evaluating forms, such as numbers; symbols, which stand for variables; and lists. The

lists in turn may be divided into three categories: special operators, macro calls, and function calls.

All standard Common Lisp data objects other than symbols and lists (including **defstruct** structures defined without the **:type** option) are self-evaluating.

### 5.1.1 Self-Evaluating Forms

All numbers, characters, strings, and bit-vectors are *self-evaluating* forms. When such an object is evaluated, that object (or possibly a copy in the case of numbers or characters) is returned as the value of the form. The empty list `()`, which is also the false value **nil**, is also a self-evaluating form: the value of **nil** is **nil**. Keywords (symbols written with a leading colon) also evaluate to themselves: the value of **:start** is **:start**.

It is an error to destructively modify any object that appears as a constant in executable code, whether as a self-evaluating form or within a **quote** special operator.

### 5.1.2 Variables

Symbols are used as names of variables in Common Lisp programs. When a symbol is evaluated as a form, the value of the variable it names is produced. For example, after doing **(setq items 3)**, which assigns the value **3** to the variable named **items**, then **items**  $\Rightarrow$  **3**. Variables can be *assigned* to, as by **setq**, or *bound*, as by **let**. Any program construct that binds a variable effectively saves the old value of the variable and causes it to have a new value, and on exit from the construct the old value is reinstated.

There are actually two kinds of variables in Common Lisp, called *lexical* (or *static*) variables and *special* (or *dynamic*) variables. At any given time either or both kinds of variable with the same name may have a current value. Which of the two kinds of variable is referred to when a symbol is evaluated depends on the context of the evaluation. The general rule is that if the symbol occurs textually within a program construct that creates a *binding* for a variable of the same name, then the reference is to the variable specified by the binding; if no such program construct textually contains the reference, then it is taken to refer to the special variable of that name.

The distinction between the two kinds of variable is one of scope and extent. A lexically bound variable can be referred to *only* by forms occurring at

any *place* textually within the program construct that binds the variable. A dynamically bound (special) variable can be referred to at any *time* from the time the binding is made until the time evaluation of the construct that binds the variable terminates. Therefore lexical binding of variables imposes a spatial limitation on occurrences of references (but no temporal limitation, for the binding continues to exist as long as the possibility of reference remains). Conversely, dynamic binding of variables imposes a temporal limitation on occurrences of references (but no spatial limitation). For more information on scope and extent, see chapter 3.

The value a special variable has when there are currently no bindings of that variable is called the *global* value of the (special) variable. A global value can be given to a variable only by assignment, because a value given by binding is by definition not global.

It is possible for a special variable to have no value at all, in which case it is said to be *unbound*. By default, every global variable is unbound unless and until explicitly assigned a value, except for those global variables defined in this book or by the implementation already to have values when the Lisp system is first started. It is also possible to establish a binding of a special variable and then cause that binding to be valueless by using the function **makunbound**. In this situation the variable is also said to be “unbound,” although this is a misnomer; precisely speaking, it is bound but valueless. It is an error to refer to a variable that is unbound.

Reading an unbound variable or an undefined function must be detected in the highest safety setting (see the **safety** quality of the **optimize** declaration specifier) but the effect is undefined in any other safety setting. That is, reading an unbound variable should signal an error and reading an undefined function should signal an error. (“Reading a function” includes both references to the function using the **function** special operator, such as **f** in **(function f)**, and references to the function in a call, such as **f** in **(f x y)**.)

For the case of **inline** functions (in implementations where they are supported), a permitted point of view is that performing the inlining constitutes the read of the function, so that an **fboundp** check need not be done at execution time. Put another way, the effect of the application of **fmakunbound** to a function name on potentially inlined references to that function is undefined.

When an unbound variable is detected an error of type **unbound-variable** is signaled, and the **name** slot of the **unbound-variable** condition is initialized to the name of the offending variable.

When an undefined function is detected an error of type **undefined-function** is signaled, and the **name** slot of the **undefined-function** condition is initialized to the name of the offending function.

The condition type **unbound-slot**, which inherits from **cell-error**, has an additional slot **instance**, which can be initialized using the **:instance** keyword to **make-condition**. The function **unbound-slot-instance** accesses this slot.

The type of error signaled by the default primary method for the CLOS **slot-unbound** generic function is **unbound-slot**. The **instance** slot of the **unbound-slot** condition is initialized to the offending instance and the **name** slot is initialized to the name of the offending variable.

Certain global variables are reserved as “named constants.” They have a global value and may not be bound or assigned to. For example, the symbols **t** and **nil** are reserved. One may not assign a value to **t** or **nil**, and one may not bind **t** or **nil**. The global value of **t** is always **t**, and the global value of **nil** is always **nil**. Constant symbols defined by **defconstant** also become reserved and may not be further assigned to or bound (although they may be redefined, if necessary, by using **defconstant** again). Keyword symbols, which are notated with a leading colon, are reserved and may never be assigned to or bound; a keyword always evaluates to itself.

### 5.1.3 Special Operators

If a list is to be evaluated as a form, the first step is to examine the first element of the list. If the first element is one of the symbols appearing in table 5.1, then the list is called a *special operator*. (This use of the word “special” is unrelated to its use in the phrase “special variable.”)

Special operators are generally environment and control constructs. Every special operator has its own idiosyncratic syntax. An example is the **if** special operator: **(if p (+ x 4) 5)** in Common Lisp means what “**if p then  $x+4$  else 5**” means in Algol.

The evaluation of a special operator normally produces a value or values, but the evaluation may instead call for a non-local exit; see **return-from**, **go**, and **throw**.

The set of special operators is fixed in Common Lisp; no way is provided for the user to define more. The user can create new syntactic constructs, however, by defining macros.



Table 5.1: Names of All Common Lisp Special Operators

<b>block</b>	<b>if</b>	<b>progv</b>
<b>catch</b>	<b>labels</b>	<b>quote</b>
	<b>let</b>	<b>return-from</b>
<b>declare</b>	<b>let*</b>	<b>setq</b>
<b>eval-when</b>	<b>macrolet</b>	<b>tagbody</b>
<b>flet</b>	<b>multiple-value-call</b>	<b>the</b>
<b>function</b>	<b>multiple-value-prog1</b>	<b>throw</b>
<b>go</b>	<b>progn</b>	<b>unwind-protect</b>
		<b>symbol-macrolet</b>
	<b>locally</b>	<b>load-time-value</b>

The set of special operators in Common Lisp is purposely kept very small because any program-analyzing program must have special knowledge about every type of special operator. Such a program needs no special knowledge about macros because it is simple to expand the macro and operate on the resulting expansion. (This is not to say that many such programs, particularly compilers, will not have such special knowledge. A compiler may be able to produce much better code if it recognizes such constructs as **typecase** and **multiple-value-bind** and gives them customized treatment.)

An implementation is free to implement as a macro any construct described herein as a special operator. Conversely, an implementation is free to implement as a special operator any construct described herein as a macro if an equivalent macro definition is also provided. The practical consequence is that the predicates **macro-function** and **special-operator-p** may both be true of the same symbol. It is recommended that a program-analyzing program process a form that is a list whose *car* is a symbol as follows:

1. If the program has particular knowledge about the symbol, process the form using special-purpose code. All of the symbols listed in table 5.1 should fall into this category.
2. Otherwise, if **macro-function** is true of the symbol, apply either **macroexpand** or **macroexpand-1**, as appropriate, to the entire form and then start over.
3. Otherwise, assume it is a function call.

### 5.1.4 Macros

If a form is a list and the first element is not the name of a special form, it may be the name of a *macro*; if so, the form is said to be a *macro call*. A macro is essentially a function from forms to forms that will, given a call to that macro, compute a new form to be evaluated in place of the macro call. (This computation is sometimes referred to as *macro expansion*.) For example, the macro named **return** will take a form such as **(return x)** and from that form compute a new form **(return-from nil x)**. We say that the old form *expands* into the new form. The new form is then evaluated in place of the original form; the value of the new form is returned as the value of the original form.

Macro calls, and subforms of macro calls, need not be proper lists, but that use of dotted forms requires the macro definition to use “. *var*” or “&rest *var*” in order to match them properly. It is then the responsibility of the macro definition to recognize and appropriately handle such dotted forms or subforms.

There are a number of standard macros in Common Lisp, and the user can define more by using **defmacro**.

Macros provided by a Common Lisp implementation as described herein may expand into code that is not portable among differing implementations. That is, a macro call may be implementation-independent because the macro is defined in this book, but the expansion need not be.

---

**Implementation note:** Implementors are encouraged to implement the macros defined in this book, as far as is possible, in such a way that the expansion will not contain any implementation-dependent special operators, nor contain as forms data objects that are not considered to be forms in Common Lisp. The purpose of this restriction is to ensure that the expansion can be processed by a program-analyzing program in an implementation-independent manner. There is no problem with a macro expansion containing calls to implementation-dependent functions. This restriction is not a requirement of Common Lisp; it is recognized that certain complex macros may be able to expand into significantly more efficient code in certain implementations by using implementation-dependent special operators in the macro expansion.

---

### 5.1.5 Function Calls

If a list is to be evaluated as a form and the first element is not a symbol that names a special operator or macro, then the list is assumed to be a *function call*. The first element of the list is taken to name a function. Any and all remaining elements of the list are forms to be evaluated; one value is obtained from each form, and these values become the *arguments* to the function. The function is then *applied* to the arguments. The functional computation normally produces a value, but it may instead call for a non-local exit; see **throw**. A function that does return may produce no value or several values; see **values**. If and when the function returns, whatever values it returns become the values of the function-call form.

For example, consider the evaluation of the form  $(+ \mathbf{3} (* \mathbf{4} \mathbf{5}))$ . The symbol  $+$  names the addition function, not a special operator or macro. Therefore the two forms  $\mathbf{3}$  and  $(* \mathbf{4} \mathbf{5})$  are evaluated to produce arguments. The form  $\mathbf{3}$  evaluates to  $\mathbf{3}$ , and the form  $(* \mathbf{4} \mathbf{5})$  is a function call (to the multiplication function). Therefore the forms  $\mathbf{4}$  and  $\mathbf{5}$  are evaluated, producing arguments  $\mathbf{4}$  and  $\mathbf{5}$  for the multiplication. The multiplication function calculates the number  $\mathbf{20}$  and returns it. The values  $\mathbf{3}$  and  $\mathbf{20}$  are then given as arguments to the addition function, which calculates and returns the number  $\mathbf{23}$ . Therefore we say  $(+ \mathbf{3} (* \mathbf{4} \mathbf{5})) \Rightarrow \mathbf{23}$ .

While the arguments in a function call are always evaluated in strict left-to-right order, whether the function to be called is determined before or after argument evaluation is unspecified. Programs are in error that rely on a particular order of evaluation of the first element of a function call relative to the argument forms.

## 5.2 Functions

There are two ways to indicate a function to be used in a function-call form. One is to use a symbol that names the function. This use of symbols to name functions is completely independent of their use in naming special and lexical variables. The other way is to use a *lambda-expression*, which is a list whose first element is the symbol **lambda**. A lambda-expression is *not* a form; it cannot be meaningfully evaluated. Lambda-expressions and symbols, when used in programs as names of functions, can appear only as the first element of a function-call form, or as the second element of the **function** special

operator. Note that symbols and lambda-expressions are treated as *names* of functions in these two contexts. This should be distinguished from the treatment of symbols and lambda-expressions as *function objects*, that is, objects that satisfy the predicate **functionp**, as when giving such an object to **apply** or **funcall** to be invoked.

### 5.2.1 Named Functions

A name can be given to a function in one of two ways. A *global name* can be given to a function by using the **defun** construct. A *local name* can be given to a function by using the **flet** or **labels** special operator. When a function is named, a lambda-expression is effectively associated with that name along with information about the entities that are lexically apparent at that point. If a symbol appears as the first element of a function-call form, then it refers to the definition established by the innermost **flet** or **labels** construct that textually contains the reference, or to the global definition (if any) if there is no such containing construct.

### 5.2.2 Lambda-Expressions

A *lambda-expression* is a list with the following syntax:

```
(lambda lambda-list . body)
```

The first element must be the symbol **lambda**. The second element must be a list. It is called the *lambda-list*, and specifies names for the *parameters* of the function. When the function denoted by the lambda-expression is applied to arguments, the arguments are matched with the parameters specified by the lambda-list. The *body* may then refer to the arguments by using the parameter names. The *body* consists of any number of forms (possibly zero). These forms are evaluated in sequence, and the results of the *last* form only are returned as the results of the application (the value **nil** is returned if there are zero forms in the body). The complete syntax of a lambda-expression is:

```
(lambda ( {var})*
  [Optional {var / (var [initform [svar]])}*]
  [Rest var]
  [Key {var / ( {var / (keyword var)} [initform [svar]])}*]
  [Aux {var / (var [initform])}*])
```

*[Optional]*

```
[[ {declaration}* / documentation-string]
 {form}* )
```

Each element of a lambda-list is either a *parameter specifier* or a *lambda-list keyword*; lambda-list keywords begin with **&**. (Note that lambda-list keywords are not keywords in the usual sense; they do not belong to the keyword package. They are ordinary symbols each of whose names begins with an ampersand. This terminology is unfortunately confusing but is retained for historical reasons.)

*Keyword* in the preceding specification of a lambda-list may be any symbol whatsoever, not just a keyword symbol in the **keyword** package. See below.

A lambda-list has five parts, any or all of which may be empty:

- Specifiers for the *required* parameters. These are all the parameter specifiers up to the first lambda-list keyword; if there is no such lambda-list keyword, then all the specifiers are for required parameters.
- Specifiers for *optional* parameters. If the lambda-list keyword **&optional** is present, the *optional* parameter specifiers are those following the lambda-list keyword **&optional** up to the next lambda-list keyword or the end of the list.
- A specifier for a *rest* parameter. The lambda-list keyword **&rest**, if present, must be followed by a single *rest* parameter specifier, which in turn must be followed by another lambda-list keyword or the end of the lambda-list.
- Specifiers for *keyword* parameters. If the lambda-list keyword **&key** is present, all specifiers up to the next lambda-list keyword or the end of the list are *keyword* parameter specifiers. The keyword parameter specifiers may optionally be followed by the lambda-list keyword **&allow-other-keys**.
- Specifiers for *aux* variables. These are not really parameters. If the lambda-list keyword **&aux** is present, all specifiers after it are *auxiliary variable* specifiers.

When the function represented by the lambda-expression is applied to arguments, the arguments and parameters are processed in order from left

to right. In the simplest case, only required parameters are present in the lambda-list; each is specified simply by a name *var* for the parameter variable. When the function is applied, there must be exactly as many arguments as there are parameters, and each parameter is bound to one argument. Here, and in general, the parameter is bound as a lexical variable unless a declaration has been made that it should be a special binding; see **defvar**, **proclaim**, and **declare**.

In the more general case, if there are  $n$  required parameters ( $n$  may be zero), there must be at least  $n$  arguments, and the required parameters are bound to the first  $n$  arguments. The other parameters are then processed using any remaining arguments.

If *optional* parameters are specified, then each one is processed as follows. If any unprocessed arguments remain, then the parameter variable *var* is bound to the next remaining argument, just as for a required parameter. If no arguments remain, however, then the *initform* part of the parameter specifier is evaluated, and the parameter variable is bound to the resulting value (or to **nil** if no *initform* appears in the parameter specifier). If another variable name *svar* appears in the specifier, it is bound to *true* if an argument was available, and to *false* if no argument remained (and therefore *initform* had to be evaluated). The variable *svar* is called a *supplied-p* parameter; it is bound not to an argument but to a value indicating whether or not an argument had been supplied for another parameter.

After all *optional* parameter specifiers have been processed, then there may or may not be a *rest* parameter. If there is a *rest* parameter, it is bound to a list of all as-yet-unprocessed arguments. (If no unprocessed arguments remain, the *rest* parameter is bound to the empty list.) If there is no *rest* parameter and there are no *keyword* parameters, then there should be no unprocessed arguments (it is an error if there are).

If a function has a *rest* parameter and is called using **apply**, then the list to which the *rest* parameter is bound is permitted, but not required, to share top-level list structure with the list that was the last argument to **apply**. Programmers should be careful about performing side effects on the top-level list structure of a *rest* parameter.

This was the result of a rather long discussion within X3J13 and the wider Lisp community. To set it in its historical context, I must remark that in Lisp Machine Lisp the list to which a *rest* parameter was bound had only dynamic extent; this in conjunction with the technique of “cdr-coding” permitted a clever stack-allocation technique with very low overhead. However, the early

designers of Common Lisp, after a great deal of debate, concluded that it was dangerous for cons cells to have dynamic extent; as an example, the “obvious” definition of the function **list**

```
(defun list (&rest x) x)
```

could fail catastrophically. Therefore the first edition simply implied that the list for a *rest* parameter, like all other lists, would have indefinite extent. This still left open the flip side of the question, namely, Is the list for a *rest* parameter guaranteed fresh? This is the question addressed by the X3J13 vote. If it is always freshly consed, then it is permissible to destroy it, for example by giving it to **nconc**. However, the requirement always to cons fresh lists could impose an unacceptable overhead in many implementations. The clarification approved by X3J13 specifies that the programmer may not rely on the list being fresh; if the function was called using **apply**, there is no way to know where the list came from.

Next, any *keyword* parameters are processed. For this purpose the same arguments are processed that would be made into a list for a *rest* parameter. (Indeed, it is permitted to specify both **&rest** and **&key**. In this case the remaining arguments are used for both purposes; that is, all remaining arguments are made into a list for the **&rest** parameter and are also processed for the **&key** parameters. This is the only situation in which an argument is used in the processing of more than one parameter specifier.) If **&key** is specified, there must remain an even number of arguments; these are considered as pairs, the first argument in each pair being interpreted as a keyword name and the second as the corresponding value.

A *keyword* in a lambda-list may be any symbol whatsoever, not just a keyword symbol in the **keyword** package. If, after **&key**, a variable appears alone or within only one set of parentheses (possibly with an *initform* and a *svar*), then the behavior is as before: a keyword symbol with the same name as the variable is used as the keyword-name when matching arguments to parameter specifiers. Only a parameter specifier of the form **((keyword var) ...)** can cause the keyword-name not to be a keyword symbol, by specifying a symbol not in the **keyword** package as the *keyword*. For example:

```
(defun wager (&key ((secret password) nil) amount)
  (format nil "You ~A $~D"
    (if (eq password 'joe-sent-me) "win" "lose")
    amount))
```

```
(wager :amount 100) ⇒ "You lose $100"
(wager :amount 100 'secret 'joe-sent-me) ⇒ "You win $100"
```

The **secret** word could be made even more secret in this example by placing it in some other **obscure** package, so that one would have to write

```
(wager :amount 100 'obscure:secret 'joe-sent-me) ⇒ "You win $100"
```

to win anything.

In each keyword parameter specifier must be a name *var* for the parameter variable. If an explicit *keyword* is specified, then that is the keyword name for the parameter. Otherwise the name *var* serves to indicate the keyword name, in that a keyword with the same name (in the **keyword** package) is used as the keyword. Thus

```
(defun foo (&key radix (type 'integer)) ...)
```

means exactly the same as

```
(defun foo (&key ((:radix radix)) (:(type type) 'integer)) ...)
```

The keyword parameter specifiers are, like all parameter specifiers, effectively processed from left to right. For each keyword parameter specifier, if there is an argument pair whose keyword name matches that specifier's keyword name (that is, the names are **eq**), then the parameter variable for that specifier is bound to the second item (the value) of that argument pair. If more than one such argument pair matches, it is not an error; the leftmost argument pair is used. If no such argument pair exists, then the *initform* for that specifier is evaluated and the parameter variable is bound to that value (or to **nil** if no *initform* was specified). The variable *svar* is treated as for ordinary *optional* parameters: it is bound to *true* if there was a matching argument pair, and to *false* otherwise.

It is an error if an argument pair has a keyword name not matched by any parameter specifier, unless at least one of the following two conditions is met:

- **&allow-other-keys** was specified in the lambda-list.
- Somewhere among the keyword argument pairs is a pair whose keyword is **:allow-other-keys** and whose value is not **nil**.



If either condition obtains, then it is not an error for an argument pair to match no parameter specified, and the argument pair is simply ignored (but such an argument pair is accessible through the **&rest** parameter if one was specified). The purpose of these mechanisms is to allow sharing of argument lists among several functions and to allow either the caller or the called function to specify that such sharing may be taking place.

After all parameter specifiers have been processed, the auxiliary variable specifiers (those following the lambda-list keyword **&aux**) are processed from left to right. For each one, the *initform* is evaluated and the variable *var* bound to that value (or to **nil** if no *initform* was specified). Nothing can be done with **&aux** variables that cannot be done with the special operator **let\***:

```
(lambda (x y &aux (a (car x)) (b 2) c) ...)
≡ (lambda (x y) (let* ((a (car x)) (b 2) c) ...))
```

Which to use is purely a matter of style.

Whenever any *initform* is evaluated for any parameter specifier, that form may refer to any parameter variable to the left of the specifier in which the *initform* appears, including any supplied-p variables, and may rely on the fact that no other parameter variable has yet been bound (including its own parameter variable).

Once the lambda-list has been processed, the forms in the body of the lambda-expression are executed. These forms may refer to the arguments to the function by using the names of the parameters. On exit from the function, either by a normal return of the function's value(s) or by a non-local exit, the parameter bindings, whether lexical or special, are no longer in effect. (The bindings are not necessarily permanently discarded, for a lexical binding can later be reinstated if a "closure" over that binding was created, perhaps by using **function**, and saved before the exit occurred.)

Examples of **&optional** and **&rest** parameters:

```
((lambda (a b) (+ a (* b 3))) 4 5) ⇒ 19
((lambda (a &optional (b 2)) (+ a (* b 3))) 4 5) ⇒ 19
((lambda (a &optional (b 2)) (+ a (* b 3))) 4) ⇒ 10
((lambda (&optional (a 2 b) (c 3 d) &rest x) (list a b c d x))
 ⇒ (2 nil 3 nil nil))
((lambda (&optional (a 2 b) (c 3 d) &rest x) (list a b c d x))
 6)
 ⇒ (6 t 3 nil nil)
```

```

((lambda (&optional (a 2 b) (c 3 d) &rest x) (list a b c d x))
 6 3)
⇒ (6 t 3 t nil)
((lambda (&optional (a 2 b) (c 3 d) &rest x) (list a b c d x))
 6 3 8)
⇒ (6 t 3 t (8))
((lambda (&optional (a 2 b) (c 3 d) &rest x) (list a b c d x))
 6 3 8 9 10 11)
⇒ (6 t 3 t (8 9 10 11))

```

Examples of **&key** parameters:

```

((lambda (a b &key c d) (list a b c d)) 1 2)
⇒ (1 2 nil nil)
((lambda (a b &key c d) (list a b c d)) 1 2 :c 6)
⇒ (1 2 6 nil)
((lambda (a b &key c d) (list a b c d)) 1 2 :d 8)
⇒ (1 2 nil 8)
((lambda (a b &key c d) (list a b c d)) 1 2 :c 6 :d 8)
⇒ (1 2 6 8)
((lambda (a b &key c d) (list a b c d)) 1 2 :d 8 :c 6)
⇒ (1 2 6 8)
((lambda (a b &key c d) (list a b c d)) :a 1 :d 8 :c 6)
⇒ (:a 1 6 8)
((lambda (a b &key c d) (list a b c d)) :a :b :c :d)
⇒ (:a :b :d nil)

```

Examples of mixtures:

```

((lambda (a &optional (b 3) &rest x &key c (d a))
 (list a b c d x))
 1) ⇒ (1 3 nil 1 ())

((lambda (a &optional (b 3) &rest x &key c (d a))
 (list a b c d x))
 1 2) ⇒ (1 2 nil 1 ())

((lambda (a &optional (b 3) &rest x &key c (d a))
 (list a b c d x))
 :c 7) ⇒ (:c 7 nil :c ())

```

```
((lambda (a &optional (b 3) &rest x &key c (d a))
  (list a b c d x))
 1 6 :c 7) ⇒ (1 6 7 1 (:c 7))
```

```
((lambda (a &optional (b 3) &rest x &key c (d a))
  (list a b c d x))
 1 6 :d 8) ⇒ (1 6 nil 8 (:d 8))
```

```
((lambda (a &optional (b 3) &rest x &key c (d a))
  (list a b c d x))
 1 6 :d 8 :c 9 :d 10) ⇒ (1 6 9 8 (:d 8 :c 9 :d 10))
```

All lambda-list keywords are permitted, but not terribly useful, in lambda-expressions appearing explicitly as the first element of a function-call form. They are extremely useful, however, in functions given global names by **defun**.

All symbols whose names begin with **&** are conventionally reserved for use as lambda-list keywords and should not be used as variable names. Implementations of Common Lisp are free to provide additional lambda-list keywords.

### *[Constant]* **lambda-list-keywords**

The value of **lambda-list-keywords** is a list of all the lambda-list keywords used in the implementation, including the additional ones used only by **defmacro**. This list must contain at least the symbols **&optional**, **&rest**, **&key**, **&allow-other-keys**, **&aux**, **&body**, **&whole**, and **&environment**.

As an example of the use of **&allow-other-keys** and **:allow-other-keys**, consider a function that takes two keyword arguments of its own and also accepts additional keyword arguments to be passed to **make-array**:

```
(defun array-of-strings (str dims &rest keyword-pairs
  &key (start 0) end &allow-other-keys)
  (apply #'make-array dims
    :initial-element (subseq str start end)
    :allow-other-keys t
    keyword-pairs))
```

This function takes a string and dimensioning information and returns an array of the specified dimensions, each of whose elements is the specified string. However, **:start** and **:end** keyword arguments may be used in the usual manner (see chapter 14) to specify that a substring of the given string should be used. In addition, the presence of **&allow-other-keys** in the lambda-list indicates that the caller may specify additional keyword arguments; the **&rest** argument provides access to them. These additional keyword arguments are fed to **make-array**. Now, **make-array** normally does not allow the keywords **:start** and **:end** to be used, and it would be an error to specify such keyword arguments to **make-array**. However, the presence in the call to **make-array** of the keyword argument **:allow-other-keys** with a non-**nil** value causes any extraneous keyword arguments, including **:start** and **:end**, to be acceptable and ignored.

*[Constant]* **lambda-parameters-limit**

The value of **lambda-parameters-limit** is a positive integer that is the upper exclusive bound on the number of distinct parameter names that may appear in a single lambda-list. This bound depends on the implementation but will not be smaller than 50. Implementors are encouraged to make this limit as large as practicable without sacrificing performance. See **call-arguments-limit**.

### 5.3 Top-Level Forms

The standard way for the user to interact with a Common Lisp implementation is via a *read-eval-print loop*: the system repeatedly reads a form from some input source (such as a keyboard or a disk file), evaluates it, and then prints the value(s) to some output sink (such as a display screen or another disk file). Any form (evaluable data object) is acceptable; however, certain special operators are specifically designed to be convenient for use as *top-level* forms, rather than as forms embedded within other forms in the way that **(+ 3 4)** is embedded within **(if p (+ 3 4) 6)**. These top-level special operators may be used to define globally named functions, to define macros, to make declarations, and to define global values for special variables.

While defining forms normally appear at top level, it is meaningful to place them in non-top-level contexts. All defining forms that create functional objects from code appearing as argument forms must ensure that such

argument forms refer to the enclosing lexical environment. Compilers must handle defining forms properly in all situations, not just top-level contexts. However, certain compile-time side effects of these defining forms are performed only when the defining forms occur at top level (see section 24.1).

Macros are usually defined by using the special operator **defmacro**. This facility is fairly complicated; it is described in chapter 8.

### 5.3.1 Defining Named Functions

The **defun** special operator is the usual means of defining named functions.

*[Macro]* **defun** name lambda-list [{declaration}\* | doc-string] {form}\*

Evaluating a **defun** form causes the symbol *name* to be a global name for the function specified by the lambda-expression

(lambda *lambda-list* {declaration / doc-string}\* {form}\*)

defined in the lexical environment in which the **defun** form was executed. Because **defun** forms normally appear at top level, this is normally the null lexical environment.

While defining forms normally appear at top level, it is meaningful to place them in non-top-level contexts; **defun** must define the function within the enclosing lexical environment, not within the null lexical environment.

**defun** can accept any function-name (a symbol or a list whose *car* is **setf**—see section 7.1) as a *name*. Thus one may write

(defun (setf cadr) ...)

to define a **setf** expansion function for **cadr** (although it may be much more convenient to use **defsetf** or **define-modify-macro**).

If the optional documentation string *doc-string* is present, then it is attached to the *name* as a documentation string of type **function**; see **documentation**. If *doc-string* is not followed by a declaration, it may be present only if at least one *form* is also specified, as it is otherwise taken to be a *form*. It is an error if more than one *doc-string* is present.

The *forms* constitute the body of the defined function; they are executed as an implicit **progn**.

The body of the defined function is implicitly enclosed in a **block** construct whose name is the same as the *name* of the function. Therefore **return-from** may be used to exit from the function.

Other implementation-dependent bookkeeping actions may be taken as well by **defun**. The *name* is returned as the value of the **defun** form. For example:

```
(defun discriminant (a b c)
  (declare (number a b c))
  "Compute the discriminant for a quadratic equation.
  Given a, b, and c, the value  $b^2-4*a*c$  is calculated.
  If the coefficients a, b, and c are all real (that is,
  not complex), then the quadratic equation  $a*x^2+b*x+c=0$ 
  has real, multiple, or complex roots depending on
  whether this calculated value is positive, zero, or
  negative, respectively." (- (* b b) (* 4 a c)))
  => discriminant
  and now (discriminant 1 2/3 -2) => 76/9
```

It is permissible to use **defun** to redefine a function, to install a corrected version of an incorrect definition, for example. It is permissible to redefine a macro as a function. It is an error to attempt to redefine the name of a special form (see table 5.1) as a function.

### 5.3.2 Declaring Global Variables and Named Constants

The **defvar** and **defparameter** special operators are the usual means of specifying globally defined variables. The **defconstant** special operator is used for defining named constants.

```
[Macro] defvar name [initial-value [documentation]]
[Macro] defparameter name initial-value [documentation]
[Macro] defconstant name initial-value [documentation]
```

**defvar** is the recommended way to declare the use of a special variable in a program.

```
(defvar variable)
```

proclaims *variable* to be **special** (see **proclaim**), and may perform other system-dependent bookkeeping actions.

If no *initial-value* form is provided, **defvar** does not change the value of the *variable*; if no *initial-value* form is provided and the variable has no value, **defvar** does not give it a value.

If a second argument form is supplied,

```
(defvar variable initial-value)
```

then *variable* is initialized to the result of evaluating the form *initial-value* unless it already has a value. The *initial-value* form is not evaluated unless it is used; this fact is useful if evaluation of the *initial-value* form does something expensive like creating a large data structure.

X3J13 voted in June 1987 to clarify that evaluation of the *initial-value* and the initialization of the variable occur, if at all, at the time the **defvar** form is executed, and that the *initial-value* form is evaluated if and only if the *variable* does not already have a value. The initialization is performed by assignment and thus assigns a global value to the variable unless there are currently special bindings of that variable. Normally there should not be any such special bindings.

**defvar** also provides a good place to put a comment describing the meaning of the variable, whereas an ordinary **special** proclamation offers the temptation to declare several variables at once and not have room to describe them all.

```
(defvar *visible-windows* 0
  "Number of windows at least partially visible on the screen")
```

**defparameter** is similar to **defvar**, but **defparameter** requires an *initial-value* form, always evaluates the form, and assigns the result to the variable. The semantic distinction is that **defvar** is intended to declare a variable changed by the program, whereas **defparameter** is intended to declare a variable that is normally constant but can be changed (possibly at run time), where such a change is considered a change *to* the program. **defparameter** therefore does not indicate that the quantity *never* changes; in particular, it does not license the compiler to build assumptions about the value into programs being compiled.

**defconstant** is like **defparameter** but *does* assert that the value of the variable *name* is fixed and does license the compiler to build assumptions about the value into programs being compiled. (However, if the compiler chooses to replace references to the name of the constant by the value of the constant in code to be compiled, perhaps in order to allow further optimization, the compiler must take care that such “copies” appear to be **eq** to the object that is the actual value of the constant. For example, the compiler may freely make copies of numbers but must exercise care when the value is a list.)

It is an error if there are any special bindings of the variable at the time the **defconstant** form is executed (but implementations may or may not check for this).

Once a name has been declared by **defconstant** to be constant, any further assignment to or binding of that special variable is an error. This is the case for such system-supplied constants as **t** and **most-positive-fixnum**. A compiler may also choose to issue warnings about bindings of the lexical variable of the same name.

X3J13 voted in January 1989 to clarify the preceding paragraph by specifying that it is an error to rebind constant symbols as either lexical or special variables. Consequently, a valid reference to a symbol declared with **defconstant** always refers to its global value. (Unfortunately, this violates the principle of referential transparency, for one cannot always choose names for lexical variables without regard to surrounding context.)

For any of these constructs, the documentation should be a string. The string is attached to the name of the variable, parameter, or constant under the **variable** documentation type; see the **documentation** function.

The *documentation-string* is not evaluated but must appear as a literal string when the **defvar**, **defparameter**, or **defconstant** form is evaluated.

For example, the form

```
(defvar *avoid-registers* nil "Compilation control switch #43")
```

is legitimate, but

```
(defvar *avoid-registers* nil
  (format nil "Compilation control switch #~D"
    (incf *compiler-switch-number*)))
```

is erroneous because the call to **format** is not a literal string.

(On the other hand, the form

```
(defvar *avoid-registers* nil
  #.(format nil "Compilation control switch #~D"
    (incf *compiler-switch-number*)))
```

might be used to accomplish the same purpose, because the call to **format** is evaluated at **read** time; when the **defvar** form is evaluated, only the result of the call to **format**, a string, appears in the **defvar** form.)

These constructs are normally used only as top-level forms. The value returned by each of these constructs is the *name* declared.



### 5.3.3 Control of Time of Evaluation

*[Special operator]* **eval-when** ({situation}\*) {form}\*

The body of an **eval-when** form is processed as an implicit **progn**, but only in the situations listed. Each *situation* must be a symbol, either **:compile-toplevel**, **:load-toplevel**, or **:execute**.

The use of **:compile-toplevel** and **:load-toplevel** controls whether and when processing occurs for top-level forms. The use of **:execute** controls whether processing occurs for non-top-level forms.

The **eval-when** construct may be more precisely understood in terms of a model of how the file compiler, **compile-file**, processes forms in a file to be compiled.

Successive forms are read from the file by the file compiler using **read**. These top-level forms are normally processed in what we call “not-compile-time” mode. There is one other mode, called “compile-time-too” mode, which can come into play for top-level forms. The **eval-when** special operator is used to annotate a program in a way that allows the program doing the processing to select the appropriate mode.

Processing of top-level forms in the file compiler works as follows:

- If the form is a macro call, it is expanded and the result is processed as a top-level form in the same processing mode (compile-time-too or not-compile-time).
- If the form is a **progn** (or **locally** ) form, each of its body forms is sequentially processed as top-level forms in the same processing mode.
- If the form is a **compiler-let**, **macrolet**, or **symbol-macrolet**, the file compiler makes the appropriate bindings and recursively processes the body forms as an implicit top-level **progn** with those bindings in effect, in the same processing mode.
- If the form is an **eval-when** form, it is handled according to the following table:

LT	CT	EX	CTTM	Action
yes	yes	–	–	process body in compile-time-too mode
yes	no	yes	yes	process body in compile-time-too mode
yes	no	–	no	process body in not-compile-time mode
yes	no	no	–	process body in not-compile-time mode
no	yes	–	–	evaluate body
no	no	yes	yes	evaluate body
no	no	–	no	do nothing
no	no	no	–	do nothing

In the preceding table the column LT asks whether **:load-toplevel** is one of the situations specified in the **eval-when** form; CT similarly refers to **:compile-toplevel** and EX to **:execute**. The column CTTM asks whether the **eval-when** form was encountered while in compile-time-too mode. The phrase “process body” means to process the body as an implicit top-level **progn** in the indicated mode, and “evaluate body” means to evaluate the body forms sequentially as an implicit **progn** in the dynamic execution context of the compiler and in the lexical environment in which the **eval-when** appears.

- Otherwise, the form is a top-level form that is not one of the special cases. If in compile-time-too mode, the compiler first evaluates the form and then performs normal compiler processing on it. If in not-compile-time mode, only normal compiler processing is performed (see section 24.1). Any subforms are treated as non-top-level forms.

Note that top-level forms are guaranteed to be processed in the order in which they textually appear in the file, and that each top-level form read by the compiler is processed before the next is read. However, the order of processing (including, in particular, macro expansion) of subforms that are not top-level forms is unspecified.

For an **eval-when** form that is not a top-level form in the file compiler (that is, either in the interpreter, in **compile**, or in the file compiler but not at top level), if the **:execute** situation is specified, its body is treated as an implicit **progn**. Otherwise, the body is ignored and the **eval-when** form has the value **nil**.

For the sake of backward compatibility, a *situation* may also be **compile**, **load**, or **eval**. Within a top-level **eval-when** form these have the same

meaning as **:compile-toplevel**, **:load-toplevel**, and **:execute**, respectively; but their effect is undefined when used in an **eval-when** form that is not at top level.

The following effects are logical consequences of the preceding specification:

- It is never the case that the execution of a single **eval-when** expression will execute the body code more than once.
- The old keyword **eval** was a misnomer because execution of the body need not be done by **eval**. For example, when the function definition

```
(defun foo () (eval-when (:execute) (print 'foo)))
```

is compiled the call to **print** should be compiled, not evaluated at compile time.

- Macros intended for use in top-level forms should arrange for all side-effects to be done by the forms in the macro expansion. The macro-expander itself should not perform the side-effects.

```
(defmacro foo ()
  (really-foo)                ;Wrong
  `(really-foo))
```

```
(defmacro foo ()
  `(eval-when (:compile-toplevel
              :load-toplevel :execute) ;Right
   (really-foo)))
```

Adherence to this convention will mean that such macros will behave intuitively when called in non-top-level positions.

- Placing a variable binding around an **eval-when** reliably captures the binding because the “compile-time-too” mode cannot occur (because the **eval-when** could not be a top-level form). For example,

```
(let ((x 3))
  (eval-when (:compile-toplevel :load-toplevel :execute)
    (print x)))
```

will print 3 at execution (that is, load) time and will not print anything at compile time. This is important so that expansions of **defun** and **defmacro** can be done in terms of **eval-when** and can correctly capture the lexical environment. For example, an implementation might expand a **defun** form such as

```
(defun bar (x) (defun foo () (+ x 3)))
```

into

```
(progn (eval-when (:compile-toplevel)
  (compiler::notice-function 'bar '(x)))
  (eval-when (:load-toplevel :execute)
    (setf (symbol-function 'bar)
      #'(lambda (x)
          (progn (eval-when (:compile-toplevel)
            (compiler::notice-function 'foo
              '()))
              (eval-when (:load-toplevel :execute)
                (setf (symbol-function 'foo)
                  #'(lambda () (+ x 3))))))))))
```

which by the preceding rules would be treated the same as

```
(progn (eval-when (:compile-toplevel)
  (compiler::notice-function 'bar '(x)))
  (eval-when (:load-toplevel :execute)
    (setf (symbol-function 'bar)
      #'(lambda (x)
          (progn (eval-when (:load-toplevel :execute)
            (setf (symbol-function 'foo)
              #'(lambda () (+ x 3))))))))))
```

Here are some additional examples.

```
(let ((x 1))
  (eval-when (:execute :load-toplevel :compile-toplevel)
    (setf (symbol-function 'foo1) #'(lambda () x))))
```

The **eval-when** in the preceding expression is not at top level, so only the **:execute** keyword is considered. At compile time, this has no effect. At load time (if the **let** is at top level), or at execution time (if the **let** is embedded in some other form which does not execute until later), this sets (**symbol-function 'foo1**) to a function that returns **1**.

```
(eval-when (:execute :load-toplevel :compile-toplevel)
  (let ((x 2))
    (eval-when (:execute :load-toplevel :compile-toplevel)
      (setf (symbol-function 'foo2) #'(lambda () x))))))
```

If the preceding expression occurs at the top level of a file to be compiled, it has *both* a compile time *and* a load-time effect of setting (**symbol-function 'foo2**) to a function that returns **2**.

```
(eval-when (:execute :load-toplevel :compile-toplevel)
  (setf (symbol-function 'foo3) #'(lambda () 3)))
```

If the preceding expression occurs at the top level of a file to be compiled, it has *both* a compile time *and* a load-time effect of setting the function cell of **foo3** to a function that returns **3**.

```
(eval-when (:compile-toplevel)
  (eval-when (:compile-toplevel)
    (print 'foo4)))
```

The preceding expression always does nothing; it simply returns **nil**.

```
(eval-when (:compile-toplevel)
  (eval-when (:execute)
    (print 'foo5)))
```

If the preceding form occurs at the top level of a file to be compiled, **foo5** is printed at compile time. If this form occurs in a non-top-level position, nothing is printed at compile time. Regardless of context, nothing is ever printed at load time or execution time.

```
(eval-when (:execute :load-toplevel)
  (eval-when (:compile-toplevel)
    (print 'foo6)))
```

If the preceding form occurs at the top level of a file to be compiled, **foo6** is printed at compile time. If this form occurs in a non-top-level position, nothing is printed at compile time. Regardless of context, nothing is ever printed at load time or execution time.

# Chapter 6

## Predicates

A *predicate* is a function that tests for some condition involving its arguments and returns **nil** if the condition is false, or some non-**nil** value if the condition is true. One may think of a predicate as producing a Boolean value, where **nil** stands for *false* and anything else stands for *true*. Conditional control structures such as **cond**, **if**, **when**, and **unless** test such Boolean values. We say that a predicate *is true* when it returns a non-**nil** value, and *is false* when it returns **nil**; that is, it is true or false according to whether the condition being tested is true or false.

By convention, the names of predicates usually end in the letter **p** (which stands for “predicate”). Common Lisp uses a uniform convention in hyphenating names of predicates. If the name of the predicate is formed by adding a **p** to an existing name, such as the name of a data type, a hyphen is placed before the final **p** if and only if there is a hyphen in the existing name. For example, **number** begets **numberp** but **standard-char** begets **standard-char-p**. On the other hand, if the name of a predicate is formed by adding a prefixing qualifier to the front of an existing predicate name, the two names are joined with a hyphen and the presence or absence of a hyphen before the final **p** is not changed. For example, the predicate **string-lessp** has no hyphen before the **p** because it is the string version of **lessp** (a MacLisp function that has been renamed `<` in Common Lisp). The name **string-less-p** would incorrectly imply that it is a predicate that tests for a kind of object called a **string-less**, and the name **stringlessp** would connote a predicate that tests whether something has no strings (is “stringless”)!

The control structures that test Boolean values only test for whether or not the value is **nil**, which is considered to be false. Any other value is

considered to be true. Often a predicate will return **nil** if it “fails” and some *useful* value if it “succeeds”; such a function can be used not only as a test but also for the useful value provided in case of success. An example is **member**.

If no better non-**nil** value is available for the purpose of indicating success, by convention the symbol **t** is used as the “standard” true value.

## 6.1 Logical Values

The names **nil** and **t** are constants in Common Lisp. Although they are symbols like any other symbols, and appear to be treated as variables when evaluated, it is not permitted to modify their values. See **defconstant**.

*[Constant]* **nil**

The value of **nil** is always **nil**. This object represents the logical *false* value and also the empty list. It can also be written **()**.

*[Constant]* **t**

The value of **t** is always **t**.

## 6.2 Data Type Predicates

Perhaps the most important predicates in Lisp are those that deal with data types; that is, given a data object one can determine whether or not it belongs to a given type, or one can compare two type specifiers.

### 6.2.1 General Type Predicates

If a data type is viewed as the set of all objects belonging to the type, then the **typep** function is a set membership test, while **subtypep** is a subset test.

*[Function]* **typep** *object type*

**typep** is a predicate that is true if *object* is of type *type*, and is false otherwise. Note that an object can be “of” more than one type, since one type can include another. The *type* may be any of the type specifiers mentioned



in chapter 4 *except* that it may not be or contain a type specifier list whose first element is **function** or **values**. A specifier of the form (**satisfies** *fn*) is handled simply by applying the function *fn* to *object* (see **funcall**); the *object* is considered to be of the specified type if the result is not **nil**.

X3J13 voted in January 1989 to change **typep** to give specialized **array** and **complex** type specifiers the same meaning for purposes of type discrimination as they have for declaration purposes. Of course, this also applies to such type specifiers as **vector** and **simple-array** (see section 4.5). Thus

```
(typep foo '(array bignum))
```

in the first edition asked the question, Is **foo** an array specialized to hold bignums? but under the new interpretation asks the question, Could the array **foo** have resulted from giving **bignum** as the **:element-type** argument to **make-array**?

[Function] **subtypep** *type1 type2*

The arguments must be type specifiers that are acceptable to **typep**. The two type specifiers are compared; this predicate is true if *type1* is definitely a (not necessarily proper) subtype of *type2*. If the result is **nil**, however, then *type1* may or may not be a subtype of *type2* (sometimes it is impossible to tell, especially when **satisfies** type specifiers are involved). A second returned value indicates the certainty of the result; if it is true, then the first value is an accurate indication of the subtype relationship. Thus there are three possible result combinations:

<b>t</b>	<b>t</b>	<i>type1</i> is definitely a subtype of <i>type2</i>
<b>nil</b>	<b>t</b>	<i>type1</i> is definitely not a subtype of <i>type2</i>
<b>nil</b>	<b>nil</b>	<b>subtypep</b> could not determine the relationship

X3J13 voted in January 1989 to place certain requirements upon the implementation of **subtypep**, for it noted that implementations in many cases simply “give up” and return the two values **nil** and **nil** when in fact it would have been possible to determine the relationship between the given types. The requirements are as follows, where it is understood that a type specifier *s* *involves* a type specifier *u* if either *s* contains an occurrence of *u* directly or *s* contains a type specifier *w* defined by **deftype** whose expansion involves *u*.

- **subtypep** is not permitted to return a second value of **nil** unless one or both of its arguments involves **satisfies**, **and**, **or**, **not**, or **member**.
- **subtypep** should signal an error when one or both of its arguments involves **values** or the list form of the **function** type specifier.
- **subtypep** must always return the two values **t** and **t** in the case where its arguments, after expansion of specifiers defined by **deftype**, are **equal**.

In addition, X3J13 voted to clarify that in some cases the relationships between types as reflected by **subtypep** may be implementation-specific. For example, in an implementation supporting only one type of floating-point number, (**subtypep 'float 'long-float**) would return **t** and **t**, since the two types would be identical.

Note that **satisfies** is an exception because relationships between types involving **satisfies** are undecidable in general, but (as X3J13 noted) **and**, **or**, **not**, and **member** are merely very messy to deal with. In all likelihood these will not be addressed unless and until someone is willing to write a careful specification that covers all the cases for the processing of these type specifiers by **subtypep**. The requirements stated above were easy to state and probably suffice for most cases of interest.

X3J13 voted in January 1989 to change **subtypep** to give specialized **array** and **complex** type specifiers the same meaning for purposes of type discrimination as they have for declaration purposes. Of course, this also applies to such type specifiers as **vector** and **simple-array** (see section 4.5).

If  $A$  and  $B$  are type specifiers (other than **\***, which technically is not a type specifier anyway), then (**array A**) and (**array B**) represent the same type in a given implementation if and only if they denote arrays of the same specialized representation in that implementation; otherwise they are disjoint. To put it another way, they represent the same type if and only if (**upgraded-array-element-type 'A**) and (**upgraded-array-element-type 'B**) are the same type. Therefore

(**subtypep '(array A) '(array B)**)

is true if and only if (**upgraded-array-element-type 'A**) is the same type as (**upgraded-array-element-type 'B**).

The **complex** type specifier is treated in a similar but subtly different manner. If  $A$  and  $B$  are two type specifiers (but not **\***, which technically is not

a type specifier anyway), then **(complex A)** and **(complex B)** represent the same type in a given implementation if and only if they refer to complex numbers of the same specialized representation in that implementation; otherwise they are disjoint. Note, however, that there is no function called **make-complex** that allows one to specify a particular element type (then to be upgraded); instead, one must describe specialized complex numbers in terms of the actual types of the parts from which they were constructed. There is no number of type (or rather, *representation*) **float** as such; there are only numbers of type **single-float**, numbers of type **double-float**, and so on. Therefore we want **(complex single-float)** to be a subtype of **(complex float)**.

The rule, then, is that **(complex A)** and **(complex B)** represent the same type (and otherwise are disjoint) in a given implementation if and only if *either* the type *A* is a subtype of *B*, *or* **(upgraded-complex-part-type 'A)** and **(upgraded-complex-part-type 'B)** are the same type. In the latter case **(complex A)** and **(complex B)** in fact refer to the same specialized representation. Therefore

(subtypep '(complex A) '(complex B))

is true if and only if the results of **(upgraded-complex-part-type 'A)** and **(upgraded-complex-part-type 'B)** are the same type.

Under this interpretation

(subtypep '(complex single-float) '(complex float))

must be true in all implementations; but

(subtypep '(array single-float) '(array float))

is true only in implementations that do not have a specialized array representation for **single-float** elements distinct from that for **float** elements in general.

### 6.2.2 Specific Data Type Predicates

The following predicates test for individual data types.

*[Function]* **null** *object*

**null** is true if its argument is `()`, and otherwise is false. This is the same operation performed by the function **not**; however, **not** is normally used to invert a Boolean value, whereas **null** is normally used to test for an empty list. The programmer can therefore express *intent* by the choice of function name.

$$(\text{null } x) \equiv (\text{typep } x \text{ 'null}) \equiv (\text{eq } x \text{ '()})$$

*[Function]* **symbolp** *object*

**symbolp** is true if its argument is a symbol, and otherwise is false.

$$(\text{symbolp } x) \equiv (\text{typep } x \text{ 'symbol})$$

*[Function]* **atom** *object*

The predicate **atom** is true if its argument is not a cons, and otherwise is false. Note that **(atom '())** is true, because `()`  $\equiv$  **nil**.

$$(\text{atom } x) \equiv (\text{typep } x \text{ 'atom}) \equiv (\text{not } (\text{typep } x \text{ 'cons}))$$

*[Function]* **consp** *object*

The predicate **consp** is true if its argument is a cons, and otherwise is false. Note that the empty list is not a cons, so **(consp '())**  $\equiv$  **(consp 'nil)**  $\Rightarrow$  **nil**.

$$(\text{consp } x) \equiv (\text{typep } x \text{ 'cons}) \equiv (\text{not } (\text{typep } x \text{ 'atom}))$$

*[Function]* **listp** *object*

**listp** is true if its argument is a cons or the empty list `()`, and otherwise is false. It does not check for whether the list is a “true list” (one terminated by **nil**) or a “dotted list” (one terminated by a non-null atom).

$$(\text{listp } x) \equiv (\text{typep } x \text{ 'list}) \equiv (\text{typep } x \text{ '(or cons null)})$$

*[Function]* **numberp** *object*

**numberp** is true if its argument is any kind of number, and otherwise is false.

$(\text{numberp } x) \equiv (\text{typep } x \text{ 'number})$

*[Function]* **integerp** *object*

**integerp** is true if its argument is an integer, and otherwise is false.

$(\text{integerp } x) \equiv (\text{typep } x \text{ 'integer})$

*[Function]* **rationalp** *object*

**rationalp** is true if its argument is a rational number (a ratio or an integer), and otherwise is false.

$(\text{rationalp } x) \equiv (\text{typep } x \text{ 'rational})$

*[Function]* **floatp** *object*

**floatp** is true if its argument is a floating-point number, and otherwise is false.

$(\text{floatp } x) \equiv (\text{typep } x \text{ 'float})$

*[Function]* **realp** *object*

**realp** is true if its argument is a real number, and otherwise is false.

$(\text{realp } x) \equiv (\text{typep } x \text{ 'real})$

*[Function]* **complexp** *object*

**complexp** is true if its argument is a complex number, and otherwise is false.

$(\text{complexp } x) \equiv (\text{typep } x \text{ 'complex})$

*[Function]* **characterp** *object*

**characterp** is true if its argument is a character, and otherwise is false.

$(\text{characterp } x) \equiv (\text{typep } x \text{ 'character})$

*[Function]* **stringp** *object*

**stringp** is true if its argument is a string, and otherwise is false.

$(\text{stringp } x) \equiv (\text{typep } x \text{ 'string})$

*[Function]* **bit-vector-p** *object*

**bit-vector-p** is true if its argument is a bit-vector, and otherwise is false.

$(\text{bit-vector-p } x) \equiv (\text{typep } x \text{ 'bit-vector})$

*[Function]* **vectorp** *object*

**vectorp** is true if its argument is a vector, and otherwise is false.

$(\text{vectorp } x) \equiv (\text{typep } x \text{ 'vector})$

*[Function]* **simple-vector-p** *object*

**simple-vector-p** is true if its argument is a simple general vector, and otherwise is false.

$(\text{simple-vector-p } x) \equiv (\text{typep } x \text{ 'simple-vector})$

*[Function]* **simple-string-p** *object*

**simple-string-p** is true if its argument is a simple string, and otherwise is false.

$(\text{simple-string-p } x) \equiv (\text{typep } x \text{ 'simple-string})$

*[Function]* **simple-bit-vector-p** *object*

**simple-bit-vector-p** is true if its argument is a simple bit-vector, and otherwise is false.

$(\text{simple-bit-vector-p } x) \equiv (\text{typep } x \text{ 'simple-bit-vector})$

*[Function]* **arrayp** *object*

**arrayp** is true if its argument is an array, and otherwise is false.

$(\text{arrayp } x) \equiv (\text{typep } x \text{ 'array})$

*[Function]* **packagep** *object*

**packagep** is true if its argument is a package, and otherwise is false.

$(\text{packagep } x) \equiv (\text{typep } x \text{ 'package})$

*[Function]* **functionp** *object*

**functionp** is true if its argument is suitable for applying to arguments, using for example the **funcall** or **apply** function. Otherwise **functionp** is false.

**functionp** is always true of symbols, lists whose *car* is the symbol **lambda**, any value returned by the **function** special operator, and any values returned by the function **compile** when the first argument is **nil**. X3J13 voted in June 1988 to define

$(\text{functionp } x) \equiv (\text{typep } x \text{ 'function})$

Because the vote also specifies that types **cons** and **symbol** are disjoint from the type **function**, this is an incompatible change; now **functionp** is in fact always false of symbols and lists.

*[Function]* **compiled-function-p** *object*

**compiled-function-p** is true if its argument is any compiled code object, and otherwise is false.

$(\text{compiled-function-p } x) \equiv (\text{typep } x \text{ 'compiled-function})$

See also **standard-char-p**, **string-char-p**, **streamp**, **random-state-p**, **readtablep**, **hash-table-p**, and **pathnamep**.

### 6.3 Equality Predicates

Common Lisp provides a spectrum of predicates for testing for equality of two objects: **eq** (the most specific), **eql**, **equal**, and **equalp** (the most general). **eq** and **equal** have the meanings traditional in Lisp. **eql** was added because it is frequently needed, and **equalp** was added primarily in order to have a version of **equal** that would ignore type differences when comparing numbers and case differences when comparing characters. If two objects satisfy any one of these equality predicates, then they also satisfy all those that are more general.

*[Function]* **eq** *x y*

**(eq x y)** is true if and only if *x* and *y* are the same identical object. (Implementationally, *x* and *y* are usually **eq** if and only if they address the same identical memory location.)

It should be noted that things that print the same are not necessarily **eq** to each other. Symbols with the same print name usually are **eq** to each other because of the use of the **intern** function. However, numbers with the same value need not be **eq**, and two similar lists are usually not **eq**. For example:

(eq 'a 'b) is false.  
 (eq 'a 'a) is true.  
 (eq 3 3) might be true or false, depending on the implementation.  
 (eq 3 3.0) is false.  
 (eq 3.0 3.0) might be true or false, depending on the implementation.  
 (eq #c(3 -4) #c(3 -4))  
   might be true or false, depending on the implementation.  
 (eq #c(3 -4.0) #c(3 -4)) is false.  
 (eq (cons 'a 'b) (cons 'a 'c)) is false.  
 (eq (cons 'a 'b) (cons 'a 'b)) is false.  
 (eq '(a . b) '(a . b)) might be true or false.  
 (progn (setq x (cons 'a 'b)) (eq x x)) is true.  
 (progn (setq x '(a . b)) (eq x x)) is true.  
 (eq #\A #\A) might be true or false, depending on the implementation.  
 (eq "Foo" "Foo") might be true or false.  
 (eq "Foo" (copy-seq "Foo")) is false.  
 (eq "FOO" "foo") is false.



In Common Lisp, unlike some other Lisp dialects, the implementation is permitted to make “copies” of characters and numbers at any time. (This permission is granted because it allows tremendous performance improvements in many common situations.) The net effect is that Common Lisp makes no guarantee that **eq** will be true even when both its arguments are “the same thing” if that thing is a character or number. For example:

```
(let ((x 5)) (eq x x))
```

might be true or false.

The predicate **eql** is the same as **eq**, except that if the arguments are characters or numbers of the same type then their values are compared. Thus **eql** tells whether two objects are *conceptually* the same, whereas **eq** tells whether two objects are *implementationally* identical. It is for this reason that **eql**, not **eq**, is the default comparison predicate for the sequence functions defined in chapter 14.

---

**Implementation note:** **eq** simply compares the two given pointers, so any kind of object that is represented in an “immediate” fashion will indeed have like-valued instances satisfy **eq**. In some implementations, for example, fixnums and characters happen to “work.” However, no program should depend on this, as other implementations of Common Lisp might not use an immediate representation for these data types.

---

An additional problem with **eq** is that the implementation is permitted to “collapse” constants (or portions thereof) appearing in code to be compiled if they are **equal**. An object is considered to be a constant in code to be compiled if it is a self-evaluating form or is contained in a **quote** form. This is why **(eq "Foo" "Foo")** might be true or false; in interpreted code it would normally be false, because reading in the form **(eq "Foo" "Foo")** would construct distinct strings for the two arguments to **eq**, but the compiler might choose to use the same identical string or two distinct copies as the two arguments in the call to **eq**. Similarly, **(eq '(a . b) '(a . b))** might be true or false, depending on whether the constant conses appearing in the **quote** forms were collapsed by the compiler. However, **(eq (cons 'a 'b) (cons 'a 'b))** is always false, because every distinct call to the **cons** function necessarily produces a new and distinct cons.

X3J13 voted in March 1989 to clarify that **eval** and **compile** are not permitted either to copy or to coalesce (“collapse”) constants (see **eq**) appearing

in the code they process; the resulting program behavior must refer to objects that are **eq** to the corresponding objects in the source code. Only the **compile-file/load** process is permitted to copy or coalesce constants (see section 24.1).

*[Function]* **eq** *x y*

The **eq** predicate is true if its arguments are **eq**, or if they are numbers of the same type with the same value, or if they are character objects that represent the same character. For example:

```
(eq 'a 'b) is false.
(eq 'a 'a) is true.
(eq 3 3) is true.
(eq 3 3.0) is false.
(eq 3.0 3.0) is true.
(eq #c(3 -4) #c(3 -4)) is true.
(eq #c(3 -4.0) #c(3 -4)) is false.
(eq (cons 'a 'b) (cons 'a 'c)) is false.
(eq (cons 'a 'b) (cons 'a 'b)) is false.
(eq '(a . b) '(a . b)) might be true or false.
(progn (setq x (cons 'a 'b)) (eq x x)) is true.
(progn (setq x '(a . b)) (eq x x)) is true.
(eq #\A #\A) is true.
(eq "Foo" "Foo") might be true or false.
(eq "Foo" (copy-seq "Foo")) is false.
(eq "FOO" "foo") is false.
```

Normally (**eq 1.0s0 1.0d0**) would be false, under the assumption that **1.0s0** and **1.0d0** are of distinct data types. However, implementations that do not provide four distinct floating-point formats are permitted to “collapse” the four formats into some smaller number of them; in such an implementation (**eq 1.0s0 1.0d0**) might be true. The predicate **=** will compare the values of two numbers even if the numbers are of different types.

If an implementation supports positive and negative zeros as distinct values (as in the IEEE proposed standard floating-point format), then (**eq 0.0 -0.0**) will be false. Otherwise, when the syntax **-0.0** is read it will be interpreted as the value **0.0**, and so (**eq 0.0 -0.0**) will be true. The predicate **=** differs from **eq** in that (**= 0.0 -0.0**) will always be true, because

`=` compares the mathematical values of its operands, whereas `eq` compares the representational values, so to speak.

Two complex numbers are considered to be `eq` if their real parts are `eq` and their imaginary parts are `eq`. For example, `(eq #C(4 5) #C(4 5))` is true and `(eq #C(4 5) #C(4.0 5.0))` is false. Note that while `(eq #C(5.0 0.0) 5.0)` is false, `(eq #C(5 0) 5)` is true. In the case of `(eq #C(5.0 0.0) 5.0)` the two arguments are of different types and so cannot satisfy `eq`; that's all there is to it. In the case of `(eq #C(5 0) 5)`, however, `#C(5 0)` is not a complex number but is always automatically reduced by the rule of complex canonicalization to the integer `5`, just as the apparent ratio `20/4` is always simplified to `5`.

The case of `(eq "Foo" "Foo")` is discussed above in the description of `eq`. While `eq` compares the values of numbers and characters, it does not compare the contents of strings. To compare the characters of two strings, one should use `equal`, `equalp`, `string=`, or `string-equal`.

[Function] `equal x y`

The `equal` predicate is true if its arguments are structurally similar (isomorphic) objects. A rough rule of thumb is that two objects are `equal` if and only if their printed representations are the same.

Numbers and characters are compared as for `eq`. Symbols are compared as for `eq`. This method of comparing symbols can violate the rule of thumb for `equal` and printed representations, but only in the infrequently occurring case of two distinct symbols with the same print name.

Certain objects that have components are `equal` if they are of the same type and corresponding components are `equal`. This test is implemented in a recursive manner and may fail to terminate for circular structures.

For conses, `equal` is defined recursively as the two `car`'s being `equal` and the two `cdr`'s being `equal`.

Two arrays are `equal` only if they are `eq`, with one exception: strings and bit-vectors are compared element-by-element. If either argument has a fill pointer, the fill pointer limits the number of elements examined by `equal`. Uppercase and lowercase letters in strings are considered by `equal` to be distinct. (In contrast, `equalp` ignores case distinctions in strings.)

Two pathname objects are `equal` if and only if all the corresponding components (host, device, and so on) are equivalent. (Whether or not uppercase

and lowercase letters are considered equivalent in strings appearing in components depends on the file name conventions of the file system.) Pathnames that are **equal** should be functionally equivalent.

**equal** never recursively descends any structure or data type other than the ones explicitly described above: conses, bit-vectors, strings, and pathnames. Numbers and characters are compared as if by **eq1**, and all other data objects are compared as if by **eq**.

```
(equal 'a 'b) is false.
(equal 'a 'a) is true.
(equal 3 3) is true.
(equal 3 3.0) is false.
(equal 3.0 3.0) is true.
(equal #c(3 -4) #c(3 -4)) is true.
(equal #c(3 -4.0) #c(3 -4)) is false.
(equal (cons 'a 'b) (cons 'a 'c)) is false.
(equal (cons 'a 'b) (cons 'a 'b)) is true.
(equal '(a . b) '(a . b)) is true.
(progn (setq x (cons 'a 'b)) (equal x x)) is true.
(progn (setq x '(a . b)) (equal x x)) is true.
(equal #\A #\A) is true.
(equal "Foo" "Foo") is true.
(equal "Foo" (copy-seq "Foo")) is true.
(equal "FOO" "foo") is false.
```

To compare a tree of conses using **eq1** (or any other desired predicate) on the leaves, use **tree-equal**.

*[Function]* **equalp** *x y*

Two objects are **equalp** if they are **equal**; if they are characters and satisfy **char-equal**, which ignores alphabetic case and certain other attributes of characters; if they are numbers and have the same numerical value, even if they are of different types; or if they have components that are all **equalp**.

Objects that have components are **equalp** if they are of the same type and corresponding components are **equalp**. This test is implemented in a recursive manner and may fail to terminate for circular structures. For conses, **equalp** is defined recursively as the two *car*'s being **equalp** and the two *cdr*'s being **equalp**.

Two arrays are **equalp** if and only if they have the same number of dimensions, the dimensions match, and the corresponding components are **equalp**. The specializations need not match; for example, a string and a general array that happens to contain the same characters will be **equalp** (though definitely not **equal**). If either argument has a fill pointer, the fill pointer limits the number of elements examined by **equalp**. Because **equalp** performs element-by-element comparisons of strings and ignores the alphabetic case of characters, case distinctions are therefore also ignored when **equalp** compares strings.

Two symbols can be **equalp** only if they are **eq**, that is, the same identical object.

X3J13 voted in June 1989 to specify that **equalp** compares components of hash tables (see below), and to clarify that otherwise **equalp** never recursively descends any structure or data type other than the ones explicitly described above: conses, arrays (including bit-vectors and strings), and path-names. Numbers are compared for numerical equality (see **=**), characters are compared as if by **char-equal**, and all other data objects are compared as if by **eq**.

Two hash tables are considered the same by **equalp** if and only if they satisfy a four-part test:

- They must be of the same kind; that is, equivalent **:test** arguments were given to **make-hash-table** when the two hash tables were created.
- They must have the same number of entries (see **hash-table-count**).
- For every entry (*key1*, *value1*) in one hash table there must be a corresponding entry (*key2*, *value2*) in the other, such that *key1* and *key2* are considered to be the same by the **:test** function associated with the hash tables.
- For every entry (*key1*, *value1*) in one hash table and its corresponding entry (*key2*, *value2*) in the other, such that *key1* and *key2* are the same, **equalp** must be true of *value1* and *value2*.

The four parts of this test are carried out in the order shown, and if some part of the test fails, **equalp** returns **nil** and the other parts of the test are not attempted.

If **equalp** must compare two structures and the **defstruct** definition for one used the **:type** option and the other did not, then **equalp** returns **nil**.

If **equalp** must compare two structures and neither **defstruct** definition used the **:type** option, then **equalp** returns **t** if and only if the structures have the same type (that is, the same **defstruct** name) and the values of all corresponding slots (slots having the same name) are **equalp**.

As part of the X3J13 discussion of this issue the following observations were made. Object equality is not a concept for which there is a uniquely determined correct algorithm. The appropriateness of an equality predicate can be judged only in the context of the needs of some particular program. Although these functions take any type of argument and their names sound very generic, **equal** and **equalp** are not appropriate for every application. Any decision to use or not use them should be determined by what they are documented to do rather than by any abstract characterization of their function. If neither **equal** nor **equalp** is found to be appropriate in a particular situation, programmers are encouraged to create another operator that is appropriate rather than blame **equal** or **equalp** for “doing the wrong thing.”

Note that one consequence of the vote to change the rules of floating-point contagion (described in section 12.1) is to make **equalp** a true equivalence relation on numbers.

```
(equalp 'a 'b) is false.
(equalp 'a 'a) is true.
(equalp 3 3) is true.
(equalp 3 3.0) is true.
(equalp 3.0 3.0) is true.
(equalp #c(3 -4) #c(3 -4)) is true.
(equalp #c(3 -4.0) #c(3 -4)) is true.
(equalp (cons 'a 'b) (cons 'a 'c)) is false.
(equalp (cons 'a 'b) (cons 'a 'b)) is true.
(equalp '(a . b) '(a . b)) is true.
(progn (setq x (cons 'a 'b)) (equalp x x)) is true.
(progn (setq x '(a . b)) (equalp x x)) is true.
(equalp #\A #\A) is true.
(equalp "Foo" "Foo") is true.
(equalp "Foo" (copy-seq "Foo")) is true.
(equalp "FOO" "foo") is true.
```

## 6.4 Logical operators

Common Lisp provides three operators on Boolean values: **and**, **or**, and **not**. Of these, **and** and **or** are also control structures because their arguments are evaluated conditionally. The function **not** necessarily examines its single argument, and so is a simple function.

*[Function]* **not** *x*

**not** returns **t** if *x* is **nil**, and otherwise returns **nil**. It therefore inverts its argument considered as a Boolean value.

**null** is the same as **not**; both functions are included for the sake of clarity. As a matter of style, it is customary to use **null** to check whether something is the empty list and to use **not** to invert the sense of a logical value.

*[Macro]* **and** {form}\*

(**and** *form1 form2 ...* ) evaluates each *form*, one at a time, from left to right. If any *form* evaluates to **nil**, the value **nil** is immediately returned without evaluating the remaining *forms*. If every *form* but the last evaluates to a non-**nil** value, **and** returns whatever the last *form* returns. Therefore in general **and** can be used both for logical operations, where **nil** stands for *false* and non-**nil** values stand for *true*, and as a conditional expression. An example follows.

```
(if (and (>= n 0)
        (< n (length a-simple-vector))
        (eq (elt a-simple-vector n) 'foo))
    (princ "Foo!"))
```

The above expression prints **Foo!** if element **n** of **a-simple-vector** is the symbol **foo**, provided also that **n** is indeed a valid index for **a-simple-vector**. Because **and** guarantees left-to-right testing of its parts, **elt** is not called if **n** is out of range.

To put it another way, the **and** special operator does *short-circuit* Boolean evaluation, like the **and then** operator in Ada and what in some Pascal-like languages is called **cand** (for “conditional and”); the Lisp **and** special operator is unlike the Pascal or Ada **and** operator, which always evaluates both arguments.

In the previous example writing

```
(and (>= n 0)
      (< n (length a-simple-vector))
      (eq (elt a-simple-vector n) 'foo)
      (princ "Foo!"))
```

would accomplish the same thing. The difference is purely stylistic. Some programmers never use expressions containing side effects within **and**, preferring to use **if** or **when** for that purpose.

From the general definition, one can deduce that  $(\mathbf{and} \ x) \equiv x$ . Also,  $(\mathbf{and})$  evaluates to **t**, which is an identity for this operation.

One can define **and** in terms of **cond** in this way:

```
(and x y z ... w) ≡ (cond ((not x) nil)
                           ((not y) nil)
                           ((not z) nil)
                           ...
                           (t w))
```

See **if** and **when**, which are sometimes stylistically more appropriate than **and** for conditional purposes. If it is necessary to test whether a predicate is true of all elements of a list or vector (element 0 *and* element 1 *and* element 2 *and* ...), then the function **every** may be useful.

[Macro] **or** {form}\*

$(\mathbf{or} \ form1 \ form2 \ \dots)$  evaluates each *form*, one at a time, from left to right. If any *form* other than the last evaluates to something other than **nil**, **or** immediately returns that non-**nil** value without evaluating the remaining *forms*. If every *form* but the last evaluates to **nil**, **or** returns whatever evaluation of the last of the *forms* returns. Therefore in general **or** can be used both for logical operations, where **nil** stands for *false* and non-**nil** values stand for *true*, and as a conditional expression.

To put it another way, the **or** special operator does *short-circuit* Boolean evaluation, like the **or else** operator in Ada and what in some Pascal-like languages is called **cor** (for “conditional or”); the Lisp **or** special operator is unlike the Pascal or Ada **or** operator, which always evaluates both arguments.

From the general definition, one can deduce that  $(\mathbf{or} \ x) \equiv x$ . Also,  $(\mathbf{or})$  evaluates to **nil**, which is the identity for this operation.

One can define **or** in terms of **cond** in this way:

```
(or x y z ... w) ≡ (cond (x) (y) (z) ... (t w))
```



See **if** and **unless**, which are sometimes stylistically more appropriate than **or** for conditional purposes. If it is necessary to test whether a predicate is true of one or more elements of a list or vector (element 0 *or* element 1 *or* element 2 *or* ...), then the function **some** may be useful.



# Chapter 7

## Control Structure

Common Lisp provides a variety of special structures for organizing programs. Some have to do with flow of control (control structures), while others control access to variables (environment structures). Some of these features are implemented as special operators; others are implemented as macros, which typically expand into complex program fragments expressed in terms of special operators or other macros.

Function application is the primary method for construction of Lisp programs. Operations are written as the application of a function to its arguments. Usually, Lisp programs are written as a large collection of small functions, each of which implements a simple operation. These functions operate by calling one another, and so larger operations are defined in terms of smaller ones. Lisp functions may call upon themselves recursively, either directly or indirectly.

Locally defined functions (**flet**, **labels**) and macros (**macrolet**) are quite versatile. The new symbol macro facility allows even more syntactic flexibility.

While the Lisp language is more applicative in style than statement-oriented, it nevertheless provides many operations that produce side effects and consequently requires constructs for controlling the sequencing of side effects. The construct **progn**, which is roughly equivalent to an Algol **begin-end** block with all its semicolons, executes a number of forms sequentially, discarding the values of all but the last. Many Lisp control constructs include sequencing implicitly, in which case they are said to provide an “implicit **progn**.” Other sequencing constructs include **prog1** and **prog2**.

For looping, Common Lisp provides the general iteration facility **do** as

well as a variety of special-purpose iteration facilities for iterating or mapping over various data structures.

Common Lisp provides the simple one-way conditionals **when** and **unless**, the simple two-way conditional **if**, and the more general multi-way conditionals such as **cond** and **case**. The choice of which form to use in any particular situation is a matter of taste and style.

Constructs for performing non-local exits with various scoping disciplines are provided: **block**, **return**, **return-from**, **catch**, and **throw**.

The multiple-value constructs provide an efficient way for a function to return more than one value; see **values**.

## 7.1 Constants and Variables

Because some Lisp data objects are used to represent programs, one cannot always notate a constant data object in a program simply by writing the notation for the object unadorned; it would be ambiguous whether a constant object or a program fragment was intended. The **quote** special operator resolves this ambiguity.

There are two kinds of variables in Common Lisp, in effect: ordinary variables and function names. There are some similarities between the two kinds, and in a few cases there are similar functions for dealing with them, for example **boundp** and **fboundp**. However, for the most part the two kinds of variables are used for very different purposes: one to name defined functions, macros, and special operators, and the other to name data objects.

X3J13 voted in March 1989 to introduce the concept of a *function-name*, which may be either a symbol or a two-element list whose first element is the symbol **setf** and whose second element is a symbol. The primary purpose of this is to allow **setf** expander functions to be CLOS generic functions with user-defined methods. Many places in Common Lisp that used to require a symbol for a function name are changed to allow 2-lists as well; for example, **defun** is changed so that one may write (**defun (setf foo) ...**), and the **function** special operator is changed to accept any function-name. See also **definition**.

By convention, any function named (**setf f**) should return its first argument as its only value, in order to preserve the specification that **setf** returns its *newvalue*. See **setf**.

Implementations are free to extend the syntax of function-names to include lists beginning with additional symbols other than **setf** or **lambda**.

### 7.1.1 Reference

The value of an ordinary variable may be obtained simply by writing the name of the variable as a form to be executed. Whether this is treated as the name of a special variable or a lexical variable is determined by the presence or absence of an applicable **special** declaration; see chapter 9.

The following functions and special operators allow reference to the values of constants and variables in other ways.

*[Special operator]* **quote** object

**(quote *x*)** simply returns *x*. The *object* is not evaluated and may be any Lisp object whatsoever. This construct allows any Lisp object to be written as a constant value in a program. For example:

```
(setq a 43)
(list a (cons a 3)) ⇒ (43 (43 . 3))
(list (quote a) (quote (cons a 3))) ⇒ (a (cons a 3))
```

Since **quote** forms are so frequently useful but somewhat cumbersome to type, a standard abbreviation is defined for them: any form *f* preceded by a single quote ( ' ) character is assumed to have **(quote )** wrapped around it to make **(quote *f*)**. For example:

```
(setq x '(the magic quote hack))
```

is normally interpreted by **read** to mean

```
(setq x (quote (the magic quote hack)))
```

See section 22.1.3.

It is an error to destructively modify any object that appears as a constant in executable code, whether within a **quote** special operator or as a self-evaluating form.

See section 24.1 for a discussion of how quoted constants are treated by the compiler.

X3J13 voted in March 1989 to clarify that **eval** and **compile** are not permitted either to copy or to coalesce (“collapse”) constants (see **eq**) appearing in the code they process; the resulting program behavior must refer to objects

that are **eq1** to the corresponding objects in the source code. Moreover, the constraints introduced by the votes on issues and on what kinds of objects may appear as constants apply only to **compile-file** (see section 24.1).

*[Special operator]* **function** *fn*

The value of **function** is always the functional interpretation of *fn*; *fn* is interpreted as if it had appeared in the functional position of a function invocation. In particular, if *fn* is a symbol, the functional definition associated with that symbol is returned; see **symbol-function**. If *fn* is a lambda-expression, then a “lexical closure” is returned, that is, a function that when invoked will execute the body of the lambda-expression in such a way as to observe the rules of lexical scoping properly.

X3J13 voted in June 1988 to specify that the result of a **function** special operator is always of type **function**. This implies that a form (**function** *fn*) may be interpreted as (**the** (**function** *fn*)).

It is an error to use the **function** special operator on a symbol that does not denote a function in the lexical or global environment in which the special operator appears. Specifically, it is an error to use the **function** special operator on a symbol that denotes a macro or special operator. Some implementations may choose not to signal this error for performance reasons, but implementations are forbidden to extend the semantics of **function** in this respect; that is, an implementation is not allowed to define the failure to signal an error to be a “useful” behavior.

**function** accepts any function-name (a symbol or a list whose *car* is **setf**—see section 7.1) as well as lambda-expressions. Thus one may write (**function** (**setf** *cadr*)) to refer to the **setf** expansion function for *cadr*.

For example:

```
(defun adder (x) (function (lambda (y) (+ x y))))
```

The result of (**adder** **3**) is a function that will add **3** to its argument:

```
(setq add3 (adder 3))
(funcall add3 5) ⇒ 8
```

This works because **function** creates a closure of the inner lambda-expression that is able to refer to the value **3** of the variable **x** even after control has returned from the function **adder**.

More generally, a lexical closure in effect retains the ability to refer to lexically visible *bindings*, not just values. Consider this code:

```
(defun two-funs (x)
  (list (function (lambda () x))
        (function (lambda (y) (setq x y)))))
(setq funs (two-funs 6))
(funcall (car funs)) ⇒ 6
(funcall (cadr funs) 43) ⇒ 43
(funcall (car funs)) ⇒ 43
```

The function **two-funs** returns a list of two functions, each of which refers to the *binding* of the variable **x** created on entry to the function **two-funs** when it was called with argument **6**. This binding has the value **6** initially, but **setq** can alter a binding. The lexical closure created for the first lambda-expression does not “snapshot” the value **6** for **x** when the closure is created. The second function can be used to alter the binding (to **43**, in the example), and this altered value then becomes accessible to the first function.

In situations where a closure of a lambda-expression over the same set of bindings may be produced more than once, the various resulting closures may or may not be **eq**, at the discretion of the implementation. For example:

```
(let ((x 5) (funs '()))
  (dotimes (j 10)
    (push #'(lambda (z)
              (if (null z) (setq x 0) (+ x z)))
          funs))
  funs)
```

The result of the above expression is a list of ten closures. Each logically requires only the binding of **x**. It is the same binding in each case, so the ten closures may or may not be the same identical (**eq**) object. On the other hand, the result of the expression

```
(let ((funs '()))
  (dotimes (j 10)
    (let ((x 5))
      (push (function (lambda (z)
                        (if (null z) (setq x 0) (+ x z))))
            funs)))
  funs)
```

is also a list of ten closures. However, in this case no two of the closures may be **eq**, because each closure is over a distinct binding of **x**, and these bindings can be behaviorally distinguished because of the use of **setq**.

The question of distinguishable behavior is important; the result of the simpler expression

```
(let ((funs '()))
  (dotimes (j 10)
    (let ((x 5))
      (push (function (lambda (z) (+ x z)))
            funks)))
  funks)
```

is a list of ten closures that *may* be pairwise **eq**. Although one might think that a different binding of **x** is involved for each closure (which is indeed the case), the bindings cannot be distinguished because their values are identical and immutable, there being no occurrence of **setq** on **x**. A compiler would therefore be justified in transforming the expression to

```
(let ((funs '()))
  (dotimes (j 10)
    (push (function (lambda (z) (+ 5 z)))
          funks))
  funks)
```

where clearly the closures may be the same after all. The general rule, then, is that the implementation is free to have two distinct evaluations of the same **function** form produce identical (**eq**) closures if it can prove that the two conceptually distinct resulting closures must in fact be behaviorally identical with respect to invocation. This is merely a permitted optimization; a perfectly valid implementation might simply cause every distinct evaluation of a **function** form to produce a new closure object not **eq** to any other.

Frequently a compiler can deduce that a closure in fact does not need to close over any variable bindings. For example, in the code fragment

```
(mapcar (function (lambda (x) (+ x 2))) y)
```

the function (**lambda (x) (+ x 2)**) contains no references to any outside entity. In this important special case, the same “closure” may be used as the value for all evaluations of the **function** special operator. Indeed, this value



need not be a closure object at all; it may be a simple compiled function containing no environment information. This example is simply a special case of the foregoing discussion and is included as a hint to implementors familiar with previous methods of implementing Lisp. The distinction between closures and other kinds of functions is somewhat pointless, actually, as Common Lisp defines no particular representation for closures and no way to distinguish between closures and non-closure functions. All that matters is that the rules of lexical scoping be obeyed.

Since **function** forms are so frequently useful but somewhat cumbersome to type, a standard abbreviation is defined for them: any form *f* preceded by **#'** (**#** followed by an apostrophe) is assumed to have (**function** ) wrapped around it to make (**function f**). For example,

```
(remove-if #'numberp '(1 a b 3))
```

is normally interpreted by **read** to mean

```
(remove-if (function numberp) '(1 a b 3))
```

See section 22.1.4.

[*Function*] **symbol-value** *symbol*

**symbol-value** returns the current value of the dynamic (special) variable named by *symbol*. An error occurs if the symbol has no value; see **boundp** and **makunbound**. Note that constant symbols are really variables that cannot be changed, and so **symbol-value** may be used to get the value of a named constant. In particular, **symbol-value** of a keyword will return that keyword.

**symbol-value** cannot access the value of a lexical variable.

This function is particularly useful for implementing interpreters for languages embedded in Lisp. The corresponding assignment primitive is **set**; alternatively, **symbol-value** may be used with **setf**.

[*Function*] **symbol-function** *symbol*

**symbol-function** returns the current global function definition named by *symbol*. An error is signalled if the symbol has no function definition; see **fboundp**. Note that the definition may be a function or may be an object representing a special operator or macro. In the latter case, however, it is an

error to attempt to invoke the object as a function. If it is desired to process macros, special operators, and functions equally well, as when writing an interpreter, it is best first to test the symbol with **macro-function** and **special-operator-p** and then to invoke the functional value only if these two tests both yield false.

This function is particularly useful for implementing interpreters for languages embedded in Lisp.

**symbol-function** cannot access the value of a lexical function name produced by **flet** or **labels**; it can access only the global function value.

The global function definition of a symbol may be altered by using **setf** with **symbol-function**. Performing this operation causes the symbol to have *only* the specified definition as its global function definition; any previous definition, whether as a macro or as a function, is lost. It is an error to attempt to redefine the name of a special form (see table 5.1).

X3J13 voted in June 1988 to clarify the behavior of **symbol-function** in the light of the redefinition of the type **function**.

- It is permissible to call **symbol-function** on any symbol for which **fboundp** returns true. Note that **fboundp** must return true for a symbol naming a macro or a special operator.
- If **fboundp** returns true for a symbol but the symbol denotes a macro or special operator, then the value returned by **symbol-function** is not well-defined but **symbol-function** will not signal an error.
- When **symbol-function** is used with **setf** the new value must be of type **function**. It is an error to set the **symbol-function** of a symbol to a symbol, a list, or the value returned by **symbol-function** on the name of a macro or a special operator.

*[Function]* **fdefinition** *function-name*

X3J13 voted in March 1989 to add the function **fdefinition** to the language. It is exactly like **symbol-function** except that its argument may be any function-name (a symbol or a list whose *car* is **setf**—see section 7.1); it returns the current global function definition named by the argument *function-name*. One may use **fdefinition** with **setf** to change the current global function definition associated with a function-name.

[Function] **boundp** *symbol*

**boundp** is true if the dynamic (special) variable named by *symbol* has a value; otherwise, it returns **nil**.

See also **set** and **makunbound**.

[Function] **fboundp** *symbol*

**fboundp** is true if the symbol has a global function definition. Note that **fboundp** is true when the symbol names a special operator or macro. **macro-function** and **special-operator-p** may be used to test for these cases.

Despite the tightening of the definition of the type **function**, **fboundp** must return true when the argument names a special operator or macro.

See also **symbol-function** and **fmakunbound**.

**fboundp** accepts any function-name (a symbol or a list whose *car* is **setf**—see section 7.1). Thus one may write (**fboundp** '(**setf** **cadr**)) to determine whether a **setf** expansion function has been globally defined for **cadr**.

[Function] **special-operator-p** *symbol*

The function **special-operator-p** takes a symbol. If the symbol globally names a special operator, then a non-**nil** value is returned; otherwise **nil** is returned. A returned non-**nil** value is typically a function of implementation-dependent nature that can be used to interpret (evaluate) the special operator.

It is possible for *both* **special-operator-p** and **macro-function** to be true of a symbol. This is possible because an implementation is permitted to implement any macro also as a special operator for speed. On the other hand, the macro definition must be available for use by programs that understand only the standard special operators listed in table 5.1.

## 7.1.2 Assignment

The following facilities allow the value of a variable (more specifically, the value associated with the current binding of the variable) to be altered. Such

alteration is different from establishing a new binding. Constructs for establishing new bindings of variables are described in section 7.5.

*[Special operator]* **setq** {var form}\*

The special operator (**setq** *var1 form1 var2 form2 ...*) is the “simple variable assignment statement” of Lisp. First *form1* is evaluated and the result is stored in the variable *var1*, then *form2* is evaluated and the result stored in *var2*, and so forth. The variables are represented as symbols, of course, and are interpreted as referring to static or dynamic instances according to the usual rules. Therefore **setq** may be used for assignment of both lexical and special variables.

**setq** returns the last value assigned, that is, the result of the evaluation of its last argument. As a boundary case, the form (**setq**) is legal and returns **nil**. There must be an even number of argument forms. For example, in

```
(setq x (+ 3 2 1) y (cons x nil))
```

**x** is set to **6**, **y** is set to **(6)**, and the **setq** returns **(6)**. Note that the first assignment is performed before the second form is evaluated, allowing that form to use the new value of **x**.

See also the description of **setf**, the Common Lisp “general assignment statement” that is capable of assigning to variables, array elements, and other locations.

Some programmers choose to avoid **setq** as a matter of style, always using **setf** for any kind of structure modification. Others use **setq** with simple variable names and **setf** with all other generalized variables.

If any *var* refers not to an ordinary variable but to a binding made by **symbol-macrolet**, then that *var* is handled as if **setf** had been used instead of **setq**.

*[Macro]* **psetq** {var form}\*

A **psetq** form is just like a **setq** form, except that the assignments happen in parallel. First all of the forms are evaluated, and then the variables are set to the resulting values. The value of the **psetq** form is **nil**. For example:

```
(setq a 1)
(setq b 2)
(psetq a b b a)
a ⇒ 2
b ⇒ 1
```

In this example, the values of **a** and **b** are exchanged by using parallel assignment. (If several variables are to be assigned in parallel in the context of a loop, the **do** construct may be appropriate.)

See also the description of **psetf**, the Common Lisp “general parallel assignment statement” that is capable of assigning to variables, array elements, and other locations.

If any *var* refers not to an ordinary variable but to a binding made by **symbol-macrolet**, then that *var* is handled as if **psetf** had been used instead of **psetq**.

*[Function]* **set** *symbol value*

**set** allows alteration of the value of a dynamic (special) variable. **set** causes the dynamic variable named by *symbol* to take on *value* as its value.

The *value* may be any Lisp datum whatsoever.

Only the value of the current dynamic binding is altered; if there are no bindings in effect, the most global value is altered. For example,

```
(set (if (eq a b) 'c 'd) 'foo)
```

will either set **c** to **foo** or set **d** to **foo**, depending on the outcome of the test **(eq a b)**.

**set** returns *value* as its result.

**set** cannot alter the value of a local (lexically bound) variable. The special operator **setq** is usually used for altering the values of variables (lexical or dynamic) in programs. **set** is particularly useful for implementing interpreters for languages embedded in Lisp. See also **progv**, a construct that performs binding rather than assignment of dynamic variables.

*[Function]* **makunbound** *symbol*

*[Function]* **fmakunbound** *symbol*

**makunbound** causes the dynamic (special) variable named by *symbol* to become unbound (have no value). **fmakunbound** does the analogous thing for the global function definition named by *symbol*. For example:

```
(setq a 1)
a ⇒ 1
(makunbound 'a)
a ⇒ causes an error
```

```
(defun foo (x) (+ x 1))
(foo 4) ⇒ 5
(fmakunbound 'foo)
(foo 4) ⇒ causes an error
```

Both functions return *symbol* as the result value.

**fmakunbound** accepts any function-name (a symbol or a list whose *car* is **setf**—see section 7.1). Thus one may write (**fmakunbound** '(**setf** **cadr**)) to remove any global definition of a **setf** expansion function for **cadr**.

## 7.2 Generalized Variables

In Lisp, a variable can remember one piece of data, that is, one Lisp object. The main operations on a variable are to recover that object and to alter the variable to remember a new object; these operations are often called *access* and *update* operations. The concept of variables named by symbols can be generalized to any storage location that can remember one piece of data, no matter how that location is named. Examples of such storage locations are the *car* and *cdr* of a cons, elements of an array, and components of a structure.

For each kind of generalized variable, typically there are two functions that implement the conceptual *access* and *update* operations. For a variable, merely mentioning the name of the variable accesses it, while the **setq** special operator can be used to update it. The function **car** accesses the *car* of a cons, and the function **rplaca** updates it. The function **symbol-value** accesses the dynamic value of a variable named by a given symbol, and the function **set** updates it.

Rather than thinking about two distinct functions that respectively access and update a storage location somehow deduced from their arguments, we can instead simply think of a call to the access function with given arguments as a *name* for the storage location. Thus, just as **x** may be considered a name for a storage location (a variable), so (**car** **x**) is a name for the *car* of some cons (which is in turn named by **x**). Now, rather than having to remember two functions for each kind of generalized variable (having to remember, for example, that **rplaca** corresponds to **car**), we adopt a uniform syntax for updating storage locations named in this way, using the **setf** macro. This is analogous to the way we use the **setq** special operator to convert the name

of a variable (which is also a form that accesses it) into a form that updates it. The uniformity of this approach is illustrated in the following table.

Access Function	Update Function	Update Using <b>setf</b>
<b>x</b>	<b>(setq x datum)</b>	<b>(setf x datum)</b>
<b>(car x)</b>	<b>(rplaca x datum)</b>	<b>(setf (car x) datum)</b>
<b>(symbol-value x)</b>	<b>(set x datum)</b>	<b>(setf (symbol-value x) datum)</b>

**setf** is actually a macro that examines an access form and produces a call to the corresponding update function.

Given the existence of **setf** in Common Lisp, it is not necessary to have **setq**, **rplaca**, and **set**; they are redundant. They are retained in Common Lisp because of their historical importance in Lisp. However, most other update functions (such as **putprop**, the update function for **get**) have been eliminated from Common Lisp in the expectation that **setf** will be uniformly used in their place.

*[Macro]* **setf** {place newvalue}\*

**(setf place newvalue)** takes a form *place* that when evaluated *accesses* a data object in some location and “inverts” it to produce a corresponding form to *update* the location. A call to the **setf** macro therefore expands into an update form that stores the result of evaluating the form *newvalue* into the place referred to by the access form.

If more than one *place-newvalue* pair is specified, the pairs are processed sequentially; that is,

```
(setf place1 newvalue1
      place2 newvalue2)
...
      placen newvaluen)
```

is precisely equivalent to

```
(progn (setf place1 newvalue1)
       (setf place2 newvalue2)
       ...
       (setf placen newvaluen))
```

For consistency, it is legal to write **(setf)**, which simply returns **nil**. The form *place* may be any one of the following:

- The name of a variable (either lexical or dynamic).
- A function call form whose first element is the name of any one of the following functions:

<b>aref</b>	<b>car</b>	<b>svref</b>	
<b>nth</b>	<b>cdr</b>	<b>get</b>	
<b>elt</b>	<b>caar</b>	<b>getf</b>	<b>symbol-value</b>
<b>rest</b>	<b>cadr</b>	<b>gethash</b>	<b>symbol-function</b>
<b>first</b>	<b>cdar</b>	<b>documentation</b>	<b>symbol-plist</b>
<b>second</b>	<b>cddr</b>	<b>fill-pointer</b>	<b>macro-function</b>
<b>third</b>	<b>caaar</b>	<b>caaar</b>	<b>cdaaar</b>
<b>fourth</b>	<b>caadr</b>	<b>caadr</b>	<b>cdaadr</b>
<b>fifth</b>	<b>cadar</b>	<b>caadar</b>	<b>cdadar</b>
<b>sixth</b>	<b>caddr</b>	<b>caaddr</b>	<b>cdaddr</b>
<b>seventh</b>	<b>cdaar</b>	<b>cadaar</b>	<b>cdbaar</b>
<b>eighth</b>	<b>cdadr</b>	<b>cadadr</b>	<b>cddadr</b>
<b>ninth</b>	<b>cddar</b>	<b>caddar</b>	<b>cdddar</b>
<b>tenth</b>	<b>cddddr</b>	<b>cadddr</b>	<b>cdddddr</b>
<b>row-major-aref</b>	<b>compiler-macro-function</b>		

This rule applies only when the function name refers to a global function definition and not to a locally defined function or macro.

- A function call form whose first element is the name of a selector function constructed by **defstruct**.

This rule applies only when the function name refers to a global function definition and not to a locally defined function or macro.

- A function call form whose first element is the name of any one of the following functions, provided that the new value

is of the specified type so that it can be used to replace the specified “location” (which is in each of these cases not truly a generalized variable):



Function Name	Required Type
<b>char</b>	<b>string-char</b>
<b>schar</b>	<b>string-char</b>
<b>bit</b>	<b>bit</b>
<b>sbit</b>	<b>bit</b>
<b>subseq</b>	<b>sequence</b>

---

X3J13 voted in March 1989 to eliminate the type **string-char** and to redefine **string** to be the union of one or more specialized vector types, the types of whose elements are subtypes of the type **character**. In the preceding table, the type **string-char** should be replaced by some such phrase as “the element-type of the argument vector.”

X3J13 voted in March 1989 to clarify that this rule applies only when the function name refers to a global function definition and not to a locally defined function or macro.

In the case of **subseq**, the replacement value must be a sequence whose elements may be contained by the sequence argument to **subseq**. (Note that this is not so stringent as to require that the replacement value be a sequence of the same type as the sequence of which the subsequence is specified.) If the length of the replacement value does not equal the length of the subsequence to be replaced, then the shorter length determines the number of elements to be stored, as for the function **replace**.

- A function call form whose first element is the name of any one of the following functions, provided that the specified argument to that function is in turn a *place* form; in this case the new *place* has stored back into it the result of applying the specified “update” function (which is in each of these cases not a true update function):

Function Name	Argument That Is a <i>place</i>	Update Function Used
<b>ldb</b>	second	<b>dpb</b>
<b>mask-field</b>	second	<b>deposit-field</b>

---

This rule applies only when the function name refers to a global function definition and not to a locally defined function or macro.

- A **the** type declaration form, in which case the declaration is transferred to the *newvalue* form, and the resulting **setf** form is analyzed. For example,

```
(setf (the integer (cadr x)) (+ y 3))
```

is processed as if it were

```
(setf (cadr x) (the integer (+ y 3)))
```

- A call to **apply** where the first argument form is of the form *#'name*, that is, (**function name**), where *name* is the name of a function, calls to which are recognized as places by **setf**. Suppose that the use of **setf** with **apply** looks like this:

```
(setf (apply #'name x1 x2 ... xn rest) x0)
```

The **setf** method for the function *name* must be such that

```
(setf (name z1 z2 ... zm) z0)
```

expands into a store form

```
(storefn zi1 zi2 ... zik zm)
```

That is, it must expand into a function call such that all arguments but the last may be any permutation or subset of the new value *z0* and the arguments of the access form, but the *last* argument of the storing call must be the same as the last argument of the access call. See **define-setf-method** for more details on accessing and storing forms.

Given this, the **setf-of-apply** form shown above expands into

```
(apply #'storefn xi1 xi2 ... xik rest)
```

As an example, suppose that the variable **indexes** contains a list of subscripts for a multidimensional array *foo* whose rank is not known until run time. One may access the indicated element of the array by writing

```
(apply #'aref foo indexes)
```

and one may alter the value of the indicated element to that of **new-value** by writing

```
(setf (apply #'aref foo indexes) newvalue)
```

This rule applies only when the function name **apply** refers to the global function definition and not to a locally defined function or macro named **apply**.

- A macro call, in which case **setf** expands the macro call and then analyzes the resulting form.

This step uses **macroexpand-1**, not **macroexpand**. This allows the chance to apply any of the rules preceding this one to any of the intermediate expansions.

- Any form for which a **defsetf** or **define-setf-method** declaration has been made.

This rule applies only when the function name in the form refers to a global function definition and not to a locally defined function or macro.

X3J13 voted in March 1989 to add one more rule to the preceding list, coming after all those listed above:

- Any other list whose first element is a symbol (call it *f*). In this case, the call to **setf** expands into a call to the function named by the list (**setf f**) (see section 7.1). The first argument is the new value and the remaining arguments are the values of the remaining elements of *place*. This expansion occurs regardless of whether either *f* or (**setf f**) is defined as a function locally, globally, or not at all. For example,

```
(setf (f arg1 arg2 ...) newvalue)
```

expands into a form with the same effect and value as

```
(let ((#:temp1 arg1)    ;Force correct order of evaluation
      (:temp2 arg2)
      ...
      (:temp0 newvalue))
      (funcall (function (setf f))
               #:temp0
               #:temp1
               #:temp2 ...))
```

By convention, any function named (**setf** *f*) should return its first argument as its only value, in order to preserve the specification that **setf** returns its *newvalue*.

X3J13 voted in March 1989 to add this case as well:

- A variable reference that refers to a symbol macro definition made by **symbol-macrolet**, in which case **setf** expands the reference and then analyzes the resulting form.

**setf** carefully arranges to preserve the usual left-to-right order in which the various subforms are evaluated. On the other hand, the exact expansion for any particular form is not guaranteed and may even be implementation-dependent; all that is guaranteed is that the expansion of a **setf** form will be an update form that works for that particular implementation, and that the left-to-right evaluation of subforms is preserved.

The ultimate result of evaluating a **setf** form is the value of *newvalue*. Therefore (**setf** (**car** *x*) *y*) does not expand into precisely (**rplaca** *x* *y*), but into something more like

```
(let ((G1 x) (G2 y)) (rplaca G1 G2) G2)
```

the precise expansion being implementation-dependent.

The user can define new **setf** expansions by using **defsetf**.

X3J13 voted in June 1989 to extend the specification of **setf** to allow a *place* whose **setf** method has more than one store variable (see **define-setf-method**). In such a case as many values are accepted from the *newvalue* form as there are store variables; extra values are ignored and missing values default to **nil**, as is usual in situations involving multiple values.

A proposal was submitted to X3J13 in September 1989 to add a **setf** method for **values** so that one could in fact write, for example,

```
(setf (values quotient remainder)
      (truncate linewidth tabstop))
```

but unless this proposal is accepted users will have to define a **setf** method for **values** themselves (not a difficult task).

```
[Macro] psetf {place newvalue}*
```

**psetf** is like **setf** except that if more than one *place-newvalue* pair is specified, then the assignments of new values to places are done in parallel. More precisely, all subforms that are to be evaluated are evaluated from left to right; after all evaluations have been performed, all of the assignments are performed in an unpredictable order. (The unpredictability matters only if more than one *place* form refers to the same place.) **psetf** always returns **nil**.

X3J13 voted in June 1989 to extend the specification of **psetf** to allow a *place* whose **setf** method has more than one store variable (see **define-setf-method**). In such a case as many values are accepted from the *newvalue* form as there are store variables; extra values are ignored and missing values default to **nil**, as is usual in situations involving multiple values.

```
[Macro] shiftf {place}+ newvalue
```

Each *place* form may be any form acceptable as a generalized variable to **setf**. In the form (**shiftf** *place1 place2 ... placen newvalue*), the values in *place1* through *placen* are accessed and saved, and *newvalue* is evaluated, for a total of  $n + 1$  values in all. Values 2 through  $n + 1$  are then stored into *place1* through *placen*, and value 1 (the original value of *place1*) is returned. It is as if all the places form a shift register; the *newvalue* is shifted in from the right, all values shift over to the left one place, and the value shifted out of *place1* is returned. For example:

```
(setq x (list 'a 'b 'c)) ⇒ (a b c)
```

```
(shiftf (cadr x) 'z) ⇒ b
and now x ⇒ (a z c)
```

```
(shiftf (cadr x) (caddr x) 'q) ⇒ z
and now x ⇒ (a (c) . q)
```

The effect of (**shiftf** *place1 place2 ... placen newvalue*) is equivalent to

```
(let ((var1 place1)
      (var2 place2)
      ...
      (varn placen))
  (setf place1 var2)
  (setf place2 var3)
  ...
  (setf placen newvalue)
  var1)
```

except that the latter would evaluate any subforms of each *place* twice, whereas **shiftf** takes care to evaluate them only once. For example:

```
(setq n 0)
(setq x '(a b c d))
(shiftf (nth (setq n (+ n 1)) x) 'z) ⇒ b
  and now x ⇒ (a z c d)
```

*but*

```
(setq n 0)
(setq x '(a b c d))
(prog1 (nth (setq n (+ n 1)) x)
  (setf (nth (setq n (+ n 1)) x) 'z)) ⇒ b
  and now x ⇒ (a b z d)
```

Moreover, for certain *place* forms **shiftf** may be significantly more efficient than the **prog1** version.

X3J13 voted in June 1989 to extend the specification of **shiftf** to allow a *place* whose **setf** method has more than one store variable (see **define-setf-method**). In such a case as many values are accepted from the *newvalue* form as there are store variables; extra values are ignored and missing values default to **nil**, as is usual in situations involving multiple values.

---

**Rationale:** **shiftf** and **rotatef** have been included in Common Lisp as generalizations of two-argument versions formerly called **swapf** and **exchf**. The two-argument versions have been found to be very useful, but the names were easily confused. The generalization to many argument forms and the change of names were both inspired by the work of Suzuki [47], which indicates that use of these primitives can make certain complex pointer-manipulation programs clearer and easier to prove correct.

---

[Macro] **rotatef** {place}\*

Each *place* form may be any form acceptable as a generalized variable to **setf**. In the form (**rotatef** *place1 place2 ... placen*), the values in *place1* through *placen* are accessed and saved. Values 2 through *n* and value 1 are then stored into *place1* through *placen*. It is as if all the places form an end-around shift register that is rotated one place to the left, with the value of *place1* being shifted around the end to *placen*. Note that (**rotatef** *place1 place2*) exchanges the contents of *place1* and *place2*.

The effect of (**rotatef** *place1 place2 ... placen*) is roughly equivalent to

```
(psetf place1 place2
      place2 place3
      ...
      placen place1)
```

except that the latter would evaluate any subforms of each *place* twice, whereas **rotatef** takes care to evaluate them only once. Moreover, for certain *place* forms **rotatef** may be significantly more efficient.

**rotatef** always returns **nil**.

X3J13 voted in June 1989 to extend the specification of **rotatef** to allow a *place* whose **setf** method has more than one store variable (see **define-setf-method**). In such a case as many values are accepted from the *newvalue* form as there are store variables; extra values are ignored and missing values default to **nil**, as is usual in situations involving multiple values.

Other macros that manipulate generalized variables include **getf**, **remf**, **incf**, **decf**, **push**, **pop**, **assert**, **ctypcase**, and **ccase**.

Macros that manipulate generalized variables must guarantee the “obvious” semantics: subforms of generalized-variable references are evaluated exactly as many times as they appear in the source program, and they are evaluated in exactly the same order as they appear in the source program.

In generalized-variable references such as **shiftf**, **incf**, **push**, and **setf** of **ldb**, the generalized variables are both read and written in the same reference. Preserving the source program order of evaluation and the number of evaluations is particularly important.

As an example of these semantic rules, in the generalized-variable reference (**setf** *reference value*) the *value* form must be evaluated *after* all the subforms of the reference because the *value* form appears to the right of them.

The expansion of these macros must consist of code that follows these rules or has the same effect as such code. This is accomplished by introducing temporary variables bound to the subforms of the reference. As an optimization in the implementation, temporary variables may be eliminated whenever it can be proved that removing them has no effect on the semantics of the program. For example, a constant need never be saved in a temporary variable. A variable, or for that matter any form that does not have side effects, need not be saved in a temporary variable if it can be proved that its value will not change within the scope of the generalized-variable reference.

Common Lisp provides built-in facilities to take care of these semantic complications and optimizations. Since the required semantics can be guaranteed by these facilities, the user does not have to worry about writing correct code for them, especially in complex cases. Even experts can become confused and make mistakes while writing this sort of code.

X3J13 voted in March 1988 to clarify the preceding discussion about the order of evaluation of subforms in calls to **setf** and related macros. The general intent is clear: evaluation proceeds from left to right whenever possible. However, the left-to-right rule does not remove the obligation on writers of macros and **define-setf-method** to work to ensure left-to-right order of evaluation.

Let it be emphasized that, in the following discussion, a *form* is something whose syntactic use is such that it will be evaluated. A *subform* means a form that is nested inside another form, not merely any Lisp object nested inside a form regardless of syntactic context.

The evaluation ordering of subforms within a generalized variable reference is determined by the order specified by the second value returned by **get-setf-method**. For all predefined generalized variable references (**getf**, **ldb**), this order of evaluation is exactly left-to-right. When a generalized variable reference is derived from a macro expansion, this rule is applied *after* the macro is expanded to find the appropriate generalized variable reference.

This is intended to make it clear that if the user writes a **defmacro** or **define-setf-method** macro that doesn't preserve left-to-right evaluation order, the order specified in the user's code holds. For example, given

```
(defmacro wrong-order (x y) '(getf ,y ,x))

then

(push value (wrong-order place1 place2))
```



will evaluate *place2* first and then *place1* because that is the order they are evaluated in the macro expansion.

For the macros that manipulate generalized variables (**push**, **pushnew**, **getf**, **remf**, **incf**, **decf**, **shiftf**, **rotatef**, **psetf**, **setf**, **pop**, and those defined with **define-modify-macro**) the subforms of the macro call are evaluated exactly once in left-to-right order, with the subforms of the generalized variable references evaluated in the order specified above.

Each of **push**, **pushnew**, **getf**, **remf**, **incf**, **decf**, **shiftf**, **rotatef**, **psetf**, and **pop** evaluates all subforms before modifying any of the generalized variable locations. Moreover, **setf** itself, in the case when a call on it has more than two arguments, performs its operation on each pair in sequence. That is, in

```
(setf place1 value1 place2 value2 ...)
```

the subforms of *place1* and *value1* are evaluated, the location specified by *place1* is modified to contain the value returned by *value1*, and then the rest of the **setf** form is processed in a like manner.

For the macros **check-type**, **ctypecase**, and **ccase**, subforms of the generalized variable reference are evaluated once per test of a generalized variable, but they may be evaluated again if the type check fails (in the case of **check-type**) or if none of the cases holds (in **ctypecase** or **ccase**).

For the macro **assert**, the order of evaluation of the generalized variable references is not specified.

Another reason for building in these functions is that the appropriate optimizations will differ from implementation to implementation. In some implementations most of the optimization is performed by the compiler, while in others a simpler compiler is used and most of the optimization is performed in the macros. The cost of binding a temporary variable relative to the cost of other Lisp operations may differ greatly between one implementation and another, and some implementations may find it best never to remove temporary variables except in the simplest cases.

A good example of the issues involved can be seen in the following generalized-variable reference:

```
(incf (ldb byte-field variable))
```

This ought to expand into something like

```
(setq variable
  (dpb (1+ (ldb byte-field variable))
        byte-field
        variable))
```

In this expansion example we have ignored the further complexity of returning the correct value, which is the incremented byte, not the new value of **variable**. Note that the variable **byte-field** is evaluated twice, and the variable **variable** is referred to three times: once as the location in which to store a value, and twice during the computation of that value.

Now consider this expression:

```
(incf (ldb (aref byte-fields (incf i))
           (aref (determine-words-array) i)))
```

It ought to expand into something like this:

```
(let ((temp1 (aref byte-fields (incf i)))
      (temp2 (determine-words-array)))
  (setf (aref temp2 i)
        (dpb (1+ (ldb temp1 (aref temp2 i)))
              temp1
              (aref temp2 i))))
```

Again we have ignored the complexity of returning the correct value. What is important here is that the expressions **(incf i)** and **(determine-words-array)** must not be duplicated because each may have a side effect or be affected by side effects.

X3J13 voted in January 1989 to specify more precisely the order of evaluation of subforms when **setf** is used with an access function that itself takes a *place* as an argument, for example, **ldb**, **mask-field**, and **getf**. (The vote also discussed the function **char-bit**, but another vote removed that function from the language.) The **setf** methods for such accessors produce expansions that effectively require explicit calls to **get-setf-method**.

The code produced as the macro expansion of a **setf** form that itself admits a generalized variable as an argument must essentially do the following major steps:

- It evaluates the value-producing subforms, in left-to-right order, and binds the temporary variables to them; this is called *binding the temporaries*.

- It reads the value from the generalized variable, using the supplied accessing form, to get the old value; this is called *doing the access*. Note that this is done after all the evaluations of the preceding step, including any side effects they may have.
- It binds the store variable to a new value, and then installs this new value into the generalized variable using the supplied storing form; this is called *doing the store*.

Doing the access for a generalized variable reference is not part of the series of evaluations that must be done in left-to-right order.

The place-specifier forms **ldb**, **mask-field**, and **getf** admit (other) *place* specifiers as arguments. During the **setf** expansion of these forms, it is necessary to call **get-setf-method** to determine how the inner, nested generalized variable must be treated.

In a form such as

```
(setf (ldb byte-spec place-form) newvalue-form)
```

the place referred to by the *place-form* must always be both accessed and updated; note that the update is to the generalized variable specified by *place-form*, not to any object of type **integer**.

Thus this call to **setf** should generate code to do the following:

- Evaluate *byte-spec* and bind into a temporary
- Bind the temporaries for *place-form*
- Evaluate *newvalue-form* and bind into the store variable
- Do the access to *place-form*
- Do the store into *place-form* with the given bit-field of the accessed integer replaced with the value in the store variable

If the evaluation of *newvalue-form* alters what is found in the given *place*—such as setting a different bit-field of the integer—then the change of the bit-field denoted by *byte-spec* will be to that altered integer, because the access step must be done after the *newvalue-form* evaluation. Nevertheless, the evaluations required for binding the temporaries are done before the evaluation of the *newvalue-form*, thereby preserving the required left-to-right evaluation order.

The treatment of **mask-field** is similar to that of **ldb**.

In a form such as:

```
(setf (getf place-form ind-form) newvalue-form)
```

the *place* referred to by the *place-form* must always be both accessed and updated; note that the update is to the generalized variable specified by *place-form*, not necessarily to the particular list which is the property list in question.

Thus this call to **setf** should generate code to do the following:

- Bind the temporaries for *place-form*
- Evaluate *ind-form* and bind into a temporary
- Evaluate the *newvalue-form* and bind into the store variable
- Do the access to *place-form*
- Do the store into *place-form* with a possibly new property list obtained by combining the results of the evaluations and the access

If the evaluation of *newvalue-form* alters what is found in the given *place*—such as setting a different named property in the list—then the change of the property denoted by *ind-form* will be to that altered list, because the access step is done after the *newvalue-form* evaluation. Nevertheless, the evaluations required for binding the temporaries are done before the evaluation of the *newvalue-form*, thereby preserving the required left-to-right evaluation order.

Note that the phrase “possibly new property list” treats the implementation of property lists as a “black box”; it can mean that the former property list is somehow destructively re-used, or it can mean partial or full copying of it. A side effect may or may not occur; therefore **setf** must proceed as if the resultant property list were a different copy needing to be stored back into the generalized variable.

The Common Lisp facilities provided to deal with these semantic issues include:

- Built-in macros such as **setf** and **push** that follow the semantic rules.

- The **define-modify-macro** macro, which allows new generalized-variable manipulating macros (of a certain restricted kind) to be defined easily. It takes care of the semantic rules automatically.
- The **defsetf** macro, which allows new types of generalized-variable references to be defined easily. It takes care of the semantic rules automatically.
- The **define-setf-method** macro and the **get-setf-method** function, which provide access to the internal mechanisms when it is necessary to define a complicated new type of generalized-variable reference or generalized-variable-manipulating macro.

Also important are the changes that allow lexical environments to be used in appropriate ways in **setf** methods.

[*Macro*] **define-modify-macro** *name* *lambda-list* *function* [*doc-string*]

This macro defines a read-modify-write macro named *name*. An example of such a macro is **incf**. The first subform of the macro will be a generalized-variable reference. The *function* is literally the function to apply to the old contents of the generalized-variable to get the new contents; it is not evaluated. *lambda-list* describes the remaining arguments for the *function*; these arguments come from the remaining subforms of the macro after the generalized-variable reference. *lambda-list* may contain **&optional** and **&rest** markers. (The **&key** marker is not permitted here; **&rest** suffices for the purposes of **define-modify-macro**.) *doc-string* is documentation for the macro *name* being defined.

The expansion of a **define-modify-macro** is equivalent to the following, except that it generates code that follows the semantic rules outlined above.

```
(defmacro name (reference . lambda-list)
  doc-string
  '(setf ,reference
    (function ,reference ,arg1 ,arg2 ...)))
```

where *arg1*, *arg2*, ..., are the parameters appearing in *lambda-list*; appropriate provision is made for a **&rest** parameter.

As an example, **incf** could have been defined by:

```
(define-modify-macro incf (&optional (delta 1)) +)
```

An example of a possibly useful macro not predefined in Common Lisp is  
 (define-modify-macro unionf (other-set &rest keywords) union)

X3J13 voted in March 1988 to specify that **define-modify-macro** creates macros that take **&environment** arguments and perform the equivalent of correctly passing such lexical environments to **get-setf-method** in order to correctly maintain lexical references.

*[Macro]* **defsetf** *access-fn* {*update-fn* [*doc-string*] | *lambda-list* (*store-variable*)} [[{*declarations*}]

This defines how to **setf** a generalized-variable reference of the form (***access-fn ...***). The value of a generalized-variable reference can always be obtained simply by evaluating it, so *access-fn* should be the name of a function or a macro.

The user of **defsetf** provides a description of how to store into the generalized-variable reference and return the value that was stored (because **setf** is defined to return this value). The implementation of **defsetf** takes care of ensuring that subforms of the reference are evaluated exactly once and in the proper left-to-right order. In order to do this, **defsetf** requires that *access-fn* be a function or a macro that evaluates its arguments, behaving like a function. Furthermore, a **setf** of a call on *access-fn* will also evaluate all of *access-fn*'s arguments; it cannot treat any of them specially. This means that **defsetf** cannot be used to describe how to store into a generalized variable that is a byte, such as (**ldb field reference**). To handle situations that do not fit the restrictions imposed by **defsetf**, use **define-setf-method**, which gives the user additional control at the cost of increased complexity.

A **defsetf** declaration may take one of two forms. The simple form is

(defsetf *access-fn update-fn* [*doc-string*])

The *update-fn* must name a function (or macro) that takes one more argument than *access-fn* takes. When **setf** is given a *place* that is a call on *access-fn*, it expands into a call on *update-fn* that is given all the arguments to *access-fn* and also, as its last argument, the new value (which must be returned by *update-fn* as its value). For example, the effect of

(defsetf symbol-value set)

is built into the Common Lisp system. This causes the expansion

(setf (symbol-value foo) fu) → (set foo fu)

for example. Note that

```
(defsetf car rplaca)
```

would be incorrect because **rplaca** does not return its last argument. The complex form of **defsetf** looks like

```
(defsetf access-fn lambda-list (store-variable) . body)
```

and resembles **defmacro**. The *body* must compute the expansion of a **setf** of a call on *access-fn*.

The *lambda-list* describes the arguments of *access-fn*. **&optional**, **&rest**, and **&key** markers are permitted in *lambda-list*. Optional arguments may have defaults and “supplied-p” flags. The *store-variable* describes the value to be stored into the generalized-variable reference.

---

**Rationale:** The *store-variable* is enclosed in parentheses to provide for an extension to multiple store variables that would receive multiple values from the second subform of **setf**. The rules given below for coding **setf** methods discuss the proper handling of multiple store variables to allow for the possibility that this extension may be incorporated into Common Lisp in the future.

---

The *body* forms can be written as if the variables in the *lambda-list* were bound to subforms of the call on *access-fn* and the *store-variable* were bound to the second subform of **setf**. However, this is not actually the case. During the evaluation of the *body* forms, these variables are bound to names of temporary variables, generated as if by **gensym** or **gentemp**, that will be bound by the expansion of **setf** to the values of those subforms. This binding permits the *body* forms to be written without regard for order-of-evaluation issues. **defsetf** arranges for the temporary variables to be optimized out of the final result in cases where that is possible. In other words, an attempt is made by **defsetf** to generate the best code possible in a particular implementation.

Note that the code generated by the *body* forms must include provision for returning the correct value (the value of *store-variable*). This is handled by the *body* forms rather than by **defsetf** because in many cases this value can be returned at no extra cost, by calling a function that simultaneously stores into the generalized variable and returns the correct value.

An example of the use of the complex form of **defsetf**:

```
(defsetf subseq (sequence start &optional end) (new-sequence)
  '(progn (replace ,sequence ,new-sequence
                 :start1 ,start :end1 ,end)
         ,new-sequence))
```

X3J13 voted in March 1988 to specify that the body of the expander function defined by the complex form of **defsetf** is implicitly enclosed in a **block** construct whose name is the same as the *name* of the *access-fn*. Therefore **return-from** may be used to exit from the function.

X3J13 voted in March 1989 to clarify that, while defining forms normally appear at top level, it is meaningful to place them in non-top-level contexts; the complex form of **defsetf** must define the expander function within the enclosing lexical environment, not within the global environment.

The underlying theory by which **setf** and related macros arrange to conform to the semantic rules given above is that from any generalized-variable reference one may derive its “**setf** method,” which describes how to store into that reference and which subforms of it are evaluated.

Given knowledge of the subforms of the reference, it is possible to avoid evaluating them multiple times or in the wrong order. A **setf** method for a given access form can be expressed as five values:

- A list of *temporary variables*
- A list of *value forms* (subforms of the given form) to whose values the temporary variables are to be bound
- A second list of temporary variables, called *store variables*
- A *storing form*
- An *accessing form*

The temporary variables will be bound to the values of the value forms as if by **let\***; that is, the value forms will be evaluated in the order given and may refer to the values of earlier value forms by using the corresponding variables.

The store variables are to be bound to the values of the *newvalue* form, that is, the values to be stored into the generalized variable. In almost all cases only a single value is to be stored, and there is only one store variable.



The storing form and the accessing form may contain references to the temporary variables (and also, in the case of the storing form, to the store variables). The accessing form returns the value of the generalized variable. The storing form modifies the value of the generalized variable and guarantees to return the values of the store variables as its values; these are the correct values for **setf** to return. (Again, in most cases there is a single store variable and thus a single value to be returned.) The value returned by the accessing form is, of course, affected by execution of the storing form, but either of these forms may be evaluated any number of times and therefore should be free of side effects (other than the storing action of the storing form).

The temporary variables and the store variables are generated names, as if by **gensym** or **gentemp**, so that there is never any problem of name clashes among them, or between them and other variables in the program. This is necessary to make the special operators that do more than one **setf** in parallel work properly; these are **psetf**, **shiftf**, and **rotatef**. Computation of the **setf** method must always create new variable names; it may not return the same ones every time.

Some examples of **setf** methods for particular forms:

- For a variable **x**:

```
(  
  (  
    (g0001)  
    (setq x g0001)  
    x
```

- For (**car** *exp*):

```
(g0002)  
(exp)  
(g0003)  
(progn (rplaca g0002 g0003) g0003)  
(car g0002)
```

- For (**subseq** *seq s e*):

```
(g0004 g0005 g0006)  
(seq s e)  
(g0007)
```

```
(progn (replace g0004 g0007 :start1 g0005 :end1 g0006)
      g0007)
(subseq g0004 g0005 g0006)
```

*[Macro]* **define-setf-method** access-fn lambda-list [{declaration}\* | doc-string] {form}\*

This defines how to **setf** a generalized-variable reference that is of the form (*access-fn...*). The value of a generalized-variable reference can always be obtained simply by evaluating it, so *access-fn* should be the name of a function or a macro.

The *lambda-list* describes the subforms of the generalized-variable reference, as with **defmacro**. The result of evaluating the *forms* in the body must be five values representing the **setf** method, as described above. Note that **define-setf-method** differs from the complex form of **defsetf** in that while the body is being executed the variables in *lambda-list* are bound to parts of the generalized-variable reference, not to temporary variables that will be bound to the values of such parts. In addition, **define-setf-method** does not have **defsetf**'s restriction that *access-fn* must be a function or a function-like macro; an arbitrary **defmacro** destructuring pattern is permitted in *lambda-list*.

By definition there are no good small examples of **define-setf-method** because the easy cases can all be handled by **defsetf**. A typical use is to define the **setf** method for **ldb**:

```
;;; SETF method for the form (LDB bytespec int).
;;; Recall that the int form must itself be suitable for SETF.
(define-setf-method ldb (bytespec int)
  (multiple-value-bind (temps vals stores
                      store-form access-form)
    (get-setf-method int) ;Get SETF method for int
    (let ((btemp (gensym)) ;Temp var for byte specifier
          (store (gensym)) ;Temp var for byte to store
          (stemp (first stores))) ;Temp var for int to store
      ;; Return the SETF method for LDB as five values.
      (values (cons btemp temps) ;Temporary variables
              (cons bytespec vals) ;Value forms
              (list store) ;Store variables
```

```

‘(let ((,stemp (dpb ,store ,btemp ,access-form)))
    ,store-form
    ,store)          ;Storing form
‘(ldb ,btemp ,access-form) ;Accessing form
)))))

```

X3J13 voted in March 1988 to specify that the **&environment** lambda-list keyword may appear in the *lambda-list* in the same manner as for **defmacro** in order to obtain the lexical environment of the call to the **setf** macro. The preceding example should be modified to take advantage of this new feature. The **setf** method must accept an **&environment** parameter, which will receive the lexical environment of the call to **setf**; this environment must then be given to **get-setf-method** in order that it may correctly use any locally bound **setf** method that might be applicable to the *place* form that appears as the second argument to **ldb** in the call to **setf**.

```

;;; SETF method for the form (LDB bytespec int).
;;; Recall that the int form must itself be suitable for SETF.
;;; Note the use of an &environment parameter to receive the
;;; lexical environment of the call for use with GET-SETF-METHOD.
(define-setf-method ldb (bytespec int &environment env)
  (multiple-value-bind (temps vals stores
                       store-form access-form)
    (get-setf-method int env) ;Get SETF method for int
    (let ((btemp (gensym)) ;Temp var for byte specifier
          (store (gensym)) ;Temp var for byte to store
          (stemp (first stores))) ;Temp var for int to store
      ;; Return the SETF method for LDB as five values.
      (values (cons btemp temps) ;Temporary variables
              (cons bytespec vals) ;Value forms
              (list store) ;Store variables
              ‘(let ((,stemp (dpb ,store ,btemp ,access-form)))
                  ,store-form
                  ,store) ;Storing form
              ‘(ldb ,btemp ,access-form) ;Accessing form
              )))))

```

X3J13 voted in March 1988 to specify that the body of the expander function defined by **define-setf-method** is implicitly enclosed in a **block**

construct whose name is the same as the *name* of the *access-fn*. Therefore **return-from** may be used to exit from the function.

X3J13 voted in March 1989 to clarify that, while defining forms normally appear at top level, it is meaningful to place them in non-top-level contexts; **define-setf-method** must define the expander function within the enclosing lexical environment, not within the global environment.

X3J13 voted in March 1988 to add an optional environment argument to **get-setf-method**. The revised definition and example are as follows.

*[Function]* **get-setf-method** *form* &optional *env*

**get-setf-method** returns five values constituting the **setf** method for *form*. The *form* must be a generalized-variable reference. The *env* must be an environment of the sort obtained through the **&environment** lambda-list keyword; if *env* is **nil** or omitted, the null lexical environment is assumed. **get-setf-method** takes care of error checking and macro expansion and guarantees to return exactly one store variable.

As an example, an extremely simplified version of **setf**, allowing no more and no fewer than two subforms, containing no optimization to remove unnecessary variables, and not allowing storing of multiple values, could be defined by:

```
(defmacro setf (reference value &environment env)
  (multiple-value-bind (vars vals stores store-form access-form)
    (get-setf-method reference env) ;Note use of environment
    (declare (ignore access-form))
    '(let* ,(mapcar #'list
                    (append vars stores)
                    (append vals (list value)))
      ,store-form))))
```

X3J13 voted in March 1988 to add an optional environment argument to **get-setf-method**. The revised definition is as follows.

*[Function]* **get-setf-method-multiple-value** *form* &optional *env*

**get-setf-method-multiple-value** returns five values constituting the **setf** method for *form*. The *form* must be a generalized-variable reference.

The *env* must be an environment of the sort obtained through the **&environment** lambda-list keyword; if *env* is **nil** or omitted, the null lexical environment is assumed.

This is the same as **get-setf-method** except that it does not check the number of store variables; use this in cases that allow storing multiple values into a generalized variable. There are no such cases in standard Common Lisp, but this function is provided to allow for possible extensions.

X3J13 voted in March 1988 to clarify that a **setf** method for a functional name is applicable only when the global binding of that name is lexically visible. If such a name has a local binding introduced by **flet**, **labels**, or **macrolet**, then global definitions of **setf** methods for that name do not apply and are not visible. All of the standard Common Lisp macros that modify a **setf** *place* (for example, **incf**, **decf**, **pop**, and **rotatef**) obey this convention.

## 7.3 Function Invocation

The most primitive form for function invocation in Lisp of course has no name; any list that has no other interpretation as a macro call or special operator is taken to be a function call. Other constructs are provided for less common but nevertheless frequently useful situations.

*[Function]* **apply** *function* *arg* **&rest** *more-args*

This applies *function* to a list of arguments. X3J13 voted in June 1988 to allow the *function* to be only of type **symbol** or **function**; a lambda-expression is no longer acceptable as a functional argument. One must use the **function** special operator or the abbreviation **#'** before a lambda-expression that appears as an explicit argument form. The arguments for the *function* consist of the last argument to **apply** appended to the end of a list of all the other arguments to **apply** but the *function* itself; it is as if all the arguments to **apply** except the *function* were given to **list\*** to create the argument list. For example:

```
(setq f '+) (apply f '(1 2)) ⇒ 3
(setq f #'-) (apply f '(1 2)) ⇒ -1
(apply #'max 3 5 '(2 7 3)) ⇒ 7
(apply 'cons '(+ 2 3) 4) ⇒
```

```
((+ 2 3) . 4) not (5 . 4)
(apply #'+' ()) ⇒ 0
```

Note that if the function takes keyword arguments, the keywords as well as the corresponding values must appear in the argument list:

```
(apply #'(lambda (&key a b) (list a b)) '(:b 3)) ⇒ (nil 3)
```

This can be very useful in conjunction with the **&allow-other-keys** feature:

```
(defun foo (size &rest keys &key double &allow-other-keys)
  (let ((v (apply #'make-array size :allow-other-keys t keys)))
    (if double (concatenate (type-of v) v v) v)))
```

```
(foo 4 :initial-contents '(a b c d) :double t)
⇒ #(a b c d a b c d)
```

*[Function]* **funcall** *fn* &rest *arguments*

(**funcall** *fn* *a1 a2 ... an*) applies the function *fn* to the arguments *a1*, *a2*, ..., *an*. The *fn* may not be a special operator or a macro; this would not be meaningful.

X3J13 voted in June 1988 to allow the *fn* to be only of type **symbol** or **function**; a lambda-expression is no longer acceptable as a functional argument. One must use the **function** special operator or the abbreviation **#'** before a lambda-expression that appears as an explicit argument form.

For example:

```
(cons 1 2) ⇒ (1 . 2)
(setq cons (symbol-function '+))
(funcall cons 1 2) ⇒ 3
```

The difference between **funcall** and an ordinary function call is that the function is obtained by ordinary Lisp evaluation rather than by the special interpretation of the function position that normally occurs.

*[Constant]* **call-arguments-limit**

The value of **call-arguments-limit** is a positive integer that is the upper exclusive bound on the number of arguments that may be passed to a

function. This bound depends on the implementation but will not be smaller than 50. (Implementors are encouraged to make this limit as large as practicable without sacrificing performance.) The value of **call-arguments-limit** must be at least as great as that of **lambda-parameters-limit**. See also **multiple-values-limit**.

## 7.4 Simple Sequencing

Each of the constructs in this section simply evaluates all the argument forms in order. They differ only in what results are returned.

*[Special operator]* **progn** {form}\*  
 The **progn** construct takes a number of forms and evaluates them sequentially, in order, from left to right. The values of all the forms but the last are discarded; whatever the last form returns is returned by the **progn** form. One says that all the forms but the last are evaluated for *effect*, because their execution is useful only for the side effects caused, but the last form is executed for *value*.

**progn** is the primitive control structure construct for “compound statements,” such as **begin-end** blocks in Algol-like languages. Many Lisp constructs are “implicit **progn**” forms: as part of their syntax each allows many forms to be written that are to be evaluated sequentially, discarding the results of all forms but the last and returning the results of the last form.

If the last form of the **progn** returns multiple values, then those multiple values are returned by the **progn** form. If there are no forms for the **progn**, then the result is **nil**. These rules generally hold for implicit **progn** forms as well.

If the last form of the **progn** returns multiple values, then those multiple values are returned by the **progn** form. If there are no forms for the **progn**, then the result is **nil**. These rules generally hold for implicit **progn** forms as well.

*[Macro]* **prog1** first {form}\*  
**prog1** is similar to **progn**, but it returns the value of its *first* form. All the argument forms are executed sequentially; the value of the first form is saved while all the others are executed and is then returned.

**prog1** is most commonly used to evaluate an expression with side effects and to return a value that must be computed *before* the side effects happen. For example:

**prog1** is most commonly used to evaluate an expression with side effects and to return a value that must be computed *before* the side effects happen. For example:

```
(prog1 (car x) (rplaca x 'foo))
```

alters the *car* of **x** to be **foo** and returns the old *car* of **x**.





```
(let ((var1 value1)
      (var2 value2)
      ...
      (varm valuem))
  declaration1
  declaration2
  ...
  declarationp
  body1
  body2
  ...
  bodyn)
```

first evaluates the expressions *value1*, *value2*, and so on, in that order, saving the resulting values. Then all of the variables *varj* are bound to the corresponding values in parallel; each binding will be a lexical binding unless there is a **special** declaration to the contrary. The expressions *bodyk* are then evaluated in order; the values of all but the last are discarded (that is, the body of a **let** form is an implicit **progn**). The **let** form returns what evaluating *bodyn* produces (if the body is empty, which is fairly useless, **let** returns **nil** as its value). The bindings of the variables have lexical scope and indefinite extent.

Instead of a list (*varj valuej*), one may write simply *varj*. In this case *varj* is initialized to **nil**. As a matter of style, it is recommended that *varj* be written only when that variable will be stored into (such as by **setq**) before its first use. If it is important that the initial value be **nil** rather than some undefined value, then it is clearer to write out (*varj nil*) if the initial value is intended to mean “false,” or (*varj '()*) if the initial value is intended to be an empty list. Note that the code

```
(let (x)
  (declare (integer x))
  (setq x (gcd y z))
  ...)
```

is incorrect; although **x** is indeed set before it is used, and is set to a value of the declared type **integer**, nevertheless **x** momentarily takes on the value **nil** in violation of the type declaration.

Declarations may appear at the beginning of the body of a **let**. See **declare**.

See also **destructuring-bind**.

*[Special operator]* **let\*** ({var | (var [value])})\* {declaration}\* {form}\*

**let\*** is similar to **let**, but the bindings of variables are performed sequentially rather than in parallel. This allows the expression for the value of a variable to refer to variables previously bound in the **let\*** form.

More precisely, the form

```
(let* ((var1 value1)
      (var2 value2)
      ...
      (varm valuem))
  declaration1
  declaration2
  ...
  declarationp
  body1
  body2
  ...
  bodyn)
```

first evaluates the expression *value1*, then binds the variable *var1* to that value; then it evaluates *value2* and binds *var2*; and so on. The expressions *bodyj* are then evaluated in order; the values of all but the last are discarded (that is, the body of a **let\*** form is an implicit **progn**). The **let\*** form returns the results of evaluating *bodyn* (if the body is empty, which is fairly useless, **let\*** returns **nil** as its value). The bindings of the variables have lexical scope and indefinite extent.

Instead of a list (*varj valuej*), one may write simply *varj*. In this case *varj* is initialized to **nil**. As a matter of style, it is recommended that *varj* be written only when that variable will be stored into (such as by **setq**) before its first use. If it is important that the initial value be **nil** rather than some undefined value, then it is clearer to write out (*varj nil*) if the initial value is intended to mean “false,” or (*varj '()*) if the initial value is intended to be an empty list.

Declarations may appear at the beginning of the body of a **let\***. See

**declare.**

*[Special operator]* **progv** symbols values {form}\*

**progv** is a special operator that allows binding one or more dynamic variables whose names may be determined at run time. The sequence of forms (an implicit **progn**) is evaluated with the dynamic variables whose names are in the list *symbols* bound to corresponding values from the list *values*. (If too few values are supplied, the remaining symbols are bound and then made to have no value; see **makunbound**. If too many values are supplied, the excess values are ignored.) The results of the **progv** form are those of the last *form*. The bindings of the dynamic variables are undone on exit from the **progv** form. The lists of symbols and values are computed quantities; this is what makes **progv** different from, for example, **let**, where the variable names are stated explicitly in the program text.

**progv** is particularly useful for writing interpreters for languages embedded in Lisp; it provides a handle on the mechanism for binding dynamic variables.

*[Special operator]* **flet** ({(name lambda-list  
[[{declaration}\* | doc-string] {form}\*)}\*)  
{declaration}\* {form}\*

*[Special operator]* **labels** ({(name lambda-list  
[[{declaration}\* | doc-string] {form}\*)}\*)  
{declaration}\* {form}\*

*[Special operator]* **macrolet** ({(name varlist  
[[{declaration}\* | doc-string] {form}\*)}\*)  
{declaration}\* {form}\*

**flet** may be used to define locally named functions. Within the body of the **flet** form, function names matching those defined by the **flet** refer to the locally defined functions rather than to the global function definitions of the same name.

Any number of functions may be simultaneously defined. Each definition is similar in format to a **defun** form: first a name, then a parameter list (which may contain **&optional**, **&rest**, or **&key** parameters), then optional declarations and documentation string, and finally a body.

```
(flet ((safesqrt (x) (sqrt (abs x))))
  ;; The safesqrt function is used in two places.
  (safesqrt (apply #' + (map 'list #'safesqrt longlist))))
```

The **labels** construct is identical in form to the **flet** construct. These constructs differ in that the scope of the defined function names for **flet** encompasses only the body, whereas for **labels** it encompasses the function definitions themselves. That is, **labels** can be used to define mutually recursive functions, but **flet** cannot. This distinction is useful. Using **flet** one can locally redefine a global function name, and the new definition can refer to the global definition; the same construction using **labels** would not have that effect.

```
(defun integer-power (n k)      ;A highly "bummed" integer
  (declare (integer n))        ; exponentiation routine
  (declare (type (integer 0 *) k))
  (labels ((expt0 (x k a)
            (declare (integer x a) (type (integer 0 *) k))
            (cond ((zerop k) a)
                  ((evenp k) (expt1 (* x x) (floor k 2) a))
                  (t (expt0 (* x x) (floor k 2) (* x a))))))
    (expt1 (x k a)
          (declare (integer x a) (type (integer 1 *) k))
          (cond ((evenp k) (expt1 (* x x) (floor k 2) a))
                (t (expt0 (* x x) (floor k 2) (* x a))))))
    (expt0 n k 1)))
```

**macrolet** is similar in form to **flet** but defines local macros, using the same format used by **defmacro**. The names established by **macrolet** as names for macros are lexically scoped.

I have observed that, while most Common Lisp users pronounce **macrolet** to rhyme with “silhouette,” a small but vocal minority pronounce it to rhyme with “Chevrolet.” A very few extremists furthermore adjust their pronunciation of **flet** similarly: they say “flay.” Hey, hey! *Très outré*.

Macros often must be expanded at “compile time” (more generally, at a time before the program itself is executed), and so the run-time values of variables are not available to macros defined by **macrolet**.

X3J13 voted in March 1989 to retract the previous sentence and specify that the macro-expansion functions created by **macrolet** are defined in the lexical environment in which the **macrolet** form appears, not in the null lexical environment. Declarations, **macrolet** definitions, and **symbol-macrolet** definitions affect code within the expansion functions in a **macrolet**, but the consequences are undefined if such code attempts to refer to any

local variable or function bindings that are visible in that lexical environment.

However, lexically scoped entities *are* visible within the body of the **macrolet** form and *are* visible to the code that is the expansion of a macro call. The following example should make this clear:

;;; Example of scoping in macrolet.

```
(defun foo (x flag)
  (macrolet ((fudge (z)
              ;;The parameters x and flag are not accessible
              ;; at this point; a reference to flag would be to
              ;; the global variable of that name.
              '(if flag
                  (* ,z ,z)
                  ,z)))
    ;;The parameters x and flag are accessible here.
    (+ x
      (fudge x)
      (fudge (+ x 1))))))
```

The body of the **macrolet** becomes

```
(+ x
  (if flag
    (* x x)
    x))
(if flag
  (* (+ x 1) (+ x 1))
  (+ x 1)))
```

after macro expansion. The occurrences of **x** and **flag** legitimately refer to the parameters of the function **foo** because those parameters are visible at the site of the macro call which produced the expansion.

The body of each function or expander function defined by **flet**, **labels**, or **macrolet** is implicitly enclosed in a **block** construct whose name is the same as the *name* of the function. Therefore **return-from** may be used to exit from the function.

**flet** and **labels** accept any function-name (a symbol or a list whose *car* is **setf**—see section 7.1) as a *name* for a function to be locally defined. In

this way one can create local definitions for **setf** expansion functions. (X3J13 explicitly declined to extend **macrolet** in the same manner.)

X3J13 voted in March 1988 to change **flet**, **labels**, and **macrolet** to allow declarations to appear before the body. The new descriptions are therefore as follows:

*[Special operator]* **symbol-macrolet** ({(var expansion)}\*)  
 {declaration}\* {form}\*

X3J13 voted in June 1988 to adopt the Common Lisp Object System. Part of this proposal is a general mechanism, **symbol-macrolet**, for treating certain variable names as if they were parameterless macro calls. This facility may be useful independent of CLOS. X3J13 voted in March 1989 to modify the definition of **symbol-macrolet** substantially and also voted to allow declarations before the body of **symbol-macrolet** but with peculiar treatment of **special** and type declarations.

The *forms* are executed as an implicit **progn** in a lexical environment that causes every reference to any defined *var* to be replaced by the corresponding *expansion*. It is as if the reference to the *var* were a parameterless macro call; the *expansion* is evaluated or otherwise processed in place of the reference (in

particular, the expansion form is itself subject to further expansion—this is one of the changes from the original definition in the CLOS proposal). Note, however, that the names of such symbol macros occupy the name space of variables, not the name space of functions; just as one may have a function (or macro, or special operator) and a variable with the same name without interference, so one may have an ordinary macro (or function, or special operator) and a symbol macro with the same name. The use of **symbol-macrolet** can therefore be shadowed by **let** or other constructs that bind variables; **symbol-macrolet** does not substitute for all occurrences of a *var* as a variable but only for those occurrences that would be construed as references in the scope of a lexical binding of *var* as a variable. For example:

```
(symbol-macrolet ((pollyanna 'goody))
  (list pollyanna (let ((pollyanna 'two-shoes)) pollyanna)))
⇒ (goody two-shoes), not (goody goody)
```

One might think that **'goody** simply replaces all occurrences of **pollyanna**, and so the value of the **let** would be **goody**; but this is not so. A little reflection shows that under this incorrect interpretation the body in expanded form would be

```
(list 'goody (let (('goody 'two-shoes)) 'goody))
```

which is syntactically malformed. The correct expanded form is

```
(list 'goody (let ((pollyanna 'two-shoes)) pollyanna))
```

because the rebinding of **pollyanna** by the **let** form shadows the symbol macro definition.

The *expansion* for each *var* is not evaluated at binding time but only after it has replaced a reference to the *var*. The **setf** macro allows a symbol macro to be used as a *place*, in which case its expansion is used; moreover, **setq** of a variable that is really a symbol macro will be treated as if **setf** had been used. The values of the last form are returned, or **nil** if there is no value.

See **macroexpand** and **macroexpand-1**; they will expand symbol macros as well as ordinary macros.

Certain *declarations* before the body are handled in a peculiar manner; see section 9.1.

```
[Macro] define-symbol-macro symbol {form}
```

The *symbol* will act as a macro call. A single form constitutes the body of the expansion. The *symbol* cannot already be a special variable.

## 7.6 Conditionals

The traditional conditional construct in Lisp is **cond**. However, **if** is much simpler and is directly comparable to conditional constructs in other programming languages, so it is considered to be primitive in Common Lisp and is described first. Common Lisp also provides the dispatching constructs **case** and **typecase**, which are often more convenient than **cond**.

*[Special operator]* **if** *test* then *[else]*

The **if** special operator corresponds to the **if-then-else** construct found in most algebraic programming languages. First the form *test* is evaluated. If the result is not **nil**, then the form *then* is selected; otherwise the form *else* is selected. Whichever form is selected is then evaluated, and **if** returns whatever is returned by evaluation of the selected form.

$(\text{if } test \text{ then } else) \equiv (\text{cond } (test \text{ then}) (\mathbf{t} \text{ else}))$

but **if** is considered more readable in some situations.

The *else* form may be omitted, in which case if the value of *test* is **nil** then nothing is done and the value of the **if** form is **nil**. If the value of the **if** form is important in this situation, then the **and** construct may be stylistically preferable, depending on the context. If the value is not important, but only the effect, then the **when** construct may be stylistically preferable.

*[Macro]* **when** *test* {*form*}\*

**(when** *test form1 form2 ...* **)** first evaluates *test*. If the result is **nil**, then no *form* is evaluated, and **nil** is returned. Otherwise the *forms* constitute an implicit **progn** and are evaluated sequentially from left to right, and the value of the last one is returned.

$(\text{when } p \ a \ b \ c) \equiv (\text{and } p \ (\text{progn } a \ b \ c))$

$(\text{when } p \ a \ b \ c) \equiv (\text{cond } (p \ a \ b \ c))$

$(\text{when } p \ a \ b \ c) \equiv (\text{if } p \ (\text{progn } a \ b \ c) \ \mathbf{nil})$

$(\text{when } p \ a \ b \ c) \equiv (\text{unless } (\text{not } p) \ a \ b \ c)$

As a matter of style, **when** is normally used to conditionally produce some side effects, and the value of the **when** form is normally not used. If the value is relevant, then it may be stylistically more appropriate to use **and** or **if**.

*[Macro]* **unless** *test* {*form*}\*

**(unless** *test form1 form2 ...* **)** first evaluates *test*. If the result is *not nil*, then the *forms* are not evaluated, and **nil** is returned. Otherwise the



*forms* constitute an implicit **progn** and are evaluated sequentially from left to right, and the value of the last one is returned.

```
(unless p a b c) ≡ (cond ((not p) a b c))
(unless p a b c) ≡ (if p nil (progn a b c))
(unless p a b c) ≡ (when (not p) a b c)
```

As a matter of style, **unless** is normally used to conditionally produce some side effects, and the value of the **unless** form is normally not used. If the value is relevant, then it may be stylistically more appropriate to use **if**.

[Macro] **cond** {(test {form}\*)}\*  
 (test {form}\*)

A **cond** form has a number (possibly zero) of *clauses*, which are lists of forms. Each clause consists of a *test* followed by zero or more *consequents*. For example:

```
(cond (test-1 consequent-1-1 consequent-1-2 ...)
      (test-2)
      (test-3 consequent-3-1 ...)
      ... )
```

The first clause whose *test* evaluates to non-**nil** is selected; all other clauses are ignored, and the consequents of the selected clause are evaluated in order (as an implicit **progn**).

More specifically, **cond** processes its clauses in order from left to right. For each clause, the *test* is evaluated. If the result is **nil**, **cond** advances to the next clause. Otherwise, the *cdr* of the clause is treated as a list of forms, or consequents; these forms are evaluated in order from left to right, as an implicit **progn**. After evaluating the consequents, **cond** returns without inspecting any remaining clauses. The **cond** special operator returns the results of evaluating the last of the selected consequents; if there were no consequents in the selected clause, then the single (and necessarily non-null) value of the *test* is returned. If **cond** runs out of clauses (every test produced **nil**, and therefore no clause was selected), the value of the **cond** form is **nil**.

If it is desired to select the last clause unconditionally if all others fail, the standard convention is to use **t** for the *test*. As a matter of style, it is desirable to write a last clause (**t nil**) if the value of the **cond** form is to be used for something. Similarly, it is in questionable taste to let the last clause of a **cond** be a “singleton clause”; an explicit **t** should be provided. (Note moreover that (**cond ... (x)**) may behave differently from (**cond ...**

(**t** *x*) if *x* might produce multiple values; the former always returns a single value, whereas the latter returns whatever values *x* returns. However, as a matter of style it is preferable to obtain this behavior by writing (**cond ... (t (values *x*))**), using the **values** function explicitly to indicate the discarding of any excess values.) For example:

```
(setq z (cond (a 'foo) (b 'bar))) ;Possibly confusing
(setq z (cond (a 'foo) (b 'bar) (t nil))) ;Better
(cond (a b) (c d) (e)) ;Possibly confusing
(cond (a b) (c d) (t e)) ;Better
(cond (a b) (c d) (t (values e))) ;Better (if one value
; needed)
(cond (a b) (c)) ;Possibly confusing
(cond (a b) (t c)) ;Better
(if a b c) ;Also better
```

A Lisp **cond** form may be compared to a continued **if-then-else** as found in many algebraic programming languages:

```
(cond (p ...)           if p then ...
      (q ...)   roughly else if q then ...
      (r ...)   corresponds else if r then ...
      ...       to         ...
      (t ...))      else ...
```

*[Macro]* **case** keyform {({({key}\*) | key} {form}\*)}\*}

**case** is a conditional that chooses one of its clauses to execute by comparing a value to various constants, which are typically keyword symbols, integers, or characters (but may be any objects). Its form is as follows:

```
(case keyform
  (keylist-1 consequent-1-1 consequent-1-2 ...)
  (keylist-2 consequent-2-1 ...)
  (keylist-3 consequent-3-1 ...)
  ...)
```

Structurally **case** is much like **cond**, and it behaves like **cond** in selecting one clause and then executing all consequents of that clause. However, **case** differs in the mechanism of clause selection.

The first thing **case** does is to evaluate the form *keyform* to produce an object called the *key object*. Then **case** considers each of the clauses in turn. If *key* is in the *keylist* (that is, is **eql** to any item in the *keylist*) of a clause, the consequents of that clause are evaluated as an implicit **progn**; **case** returns what was returned by the last consequent (or **nil** if there are no consequents in that clause). If no clause is satisfied, **case** returns **nil**.

The keys in the keylists are *not* evaluated; literal key values must appear in the keylists. It is an error for the same key to appear in more than one clause; a consequence is that the order of the clauses does not affect the behavior of the **case** construct.

Instead of a *keylist*, one may write one of the symbols **t** and **otherwise**. A clause with such a symbol always succeeds and must be the last clause (this is an exception to the order-independence of clauses). See also **ecase** and **ccase**, each of which provides an implicit **otherwise** clause to signal an error if no clause is satisfied.

If there is only one key for a clause, then that key may be written in place of a list of that key, provided that no ambiguity results. Such a “singleton key” may not be **nil** (which is confusable with `()`, a list of no keys), **t**, **otherwise**, or a cons.

*[Macro]* **typecase** *keyform* {(type {form}\*)}\*  
 The `{form}` is a list of forms to be evaluated if the key matches the type.

**typecase** is a conditional that chooses one of its clauses by examining the type of an object. Its form is as follows:

```
(typecase keyform
  (type-1 consequent-1-1 consequent-1-2 ...)
  (type-2 consequent-2-1 ...)
  (type-3 consequent-3-1 ...)
  ...)
```

Structurally **typecase** is much like **cond** or **case**, and it behaves like them in selecting one clause and then executing all consequents of that clause. It differs in the mechanism of clause selection.

The first thing **typecase** does is to evaluate the form *keyform* to produce an object called the key object. Then **typecase** considers each of the clauses in turn. The *type* that appears in each clause is a type specifier; it is not evaluated but is a literal type specifier. The first clause for which the key is of that clause’s specified *type* is selected, the consequents of this clause are evaluated as an implicit **progn**, and **typecase** returns what was returned

by the last consequent (or **nil** if there are no consequents in that clause). If no clause is satisfied, **typecase** returns **nil**.

As for **case**, the symbol **t** or **otherwise** may be written for *type* to indicate that the clause should always be selected. See also **etypecase** and **ctypecase**, each of which provides an implicit **otherwise** clause to signal an error if no clause is satisfied.

It is permissible for more than one clause to specify a given type, particularly if one is a subtype of another; the earliest applicable clause is chosen. Thus for **typecase**, unlike **case**, the order of the clauses may affect the behavior of the construct. For example:

```
(typecase an-object
  (string ...)           ;This clause handles strings
  ((array t) ...)       ;This clause handles general arrays
  ((array bit) ...)     ;This clause handles bit arrays
  (array ...)           ;This handles all other arrays
  ((or list number) ...) ;This handles lists and numbers
  (t ...))              ;This handles all other objects
```

A Common Lisp compiler may choose to issue a warning if a clause cannot be selected because it is completely shadowed by earlier clauses.

## 7.7 Blocks and Exits

The **block** and **return-from** constructs provide a structured lexical non-local exit facility. At any point lexically within a **block** construct, a **return-from** with the same name may be used to perform an immediate transfer of control that exits from the **block**. In the most common cases this mechanism is more efficient than the dynamic non-local exit facility provided by **catch** and **throw**, described in section 7.11.

*[Special operator]* **block** name {form}\*

The **block** construct executes each *form* from left to right, returning whatever is returned by the last *form*. If, however, a **return** or **return-from** form that specifies the same *name* is executed during the execution of some *form*, then the results specified by the **return** or **return-from** are immediately returned as the value of the **block** construct, and execution proceeds as if the **block** had terminated normally. In this, **block** differs from **progn**; the **progn** construct has nothing to do with **return**.

The *name* is not evaluated; it must be a symbol. The scope of the *name* is lexical; only a **return** or **return-from** textually contained in some *form* can exit from the block. The extent of the name is dynamic. Therefore it is only possible to exit from a given run-time incarnation of a block once, either normally or by explicit return.

The **defun** form implicitly puts a **block** around the body of the function defined; the **block** has the same name as the function. Therefore one may use **return-from** to return prematurely from a function defined by **defun**.

The lexical scoping of the block name is fully general and has consequences that may be surprising to users and implementors of other Lisp systems. For example, the **return-from** in the following example actually does work in Common Lisp as one might expect:

```
(block loser
  (catch 'stuff
    (mapcar #'(lambda (x) (if (numberp x)
                            (hairyun x)
                            (return-from loser nil))))
    items)))
```

Depending on the situation, a **return** in Common Lisp may not be simple. A **return** can break up catchers if necessary to get to the block in question. It is possible for a “closure” created by **function** for a lambda-expression to refer to a block name as long as the name is lexically apparent.

[*Special operator*] **return-from** name [result]

**return-from** is used to return from a **block** or from such constructs as **do** and **prog** that implicitly establish a **block**. The *name* is not evaluated and must be a symbol. A **block** construct with the same name must lexically enclose the occurrence of **return-from**; whatever the evaluation of *result* produces is immediately returned from the block. (If the *result* form is omitted, it defaults to **nil**. As a matter of style, this form ought to be used to indicate that the particular value returned doesn't matter.)

The **return-from** form itself never returns and cannot have a value; it causes results to be returned from a **block** construct. If the evaluation of *result* produces multiple values, those multiple values are returned by the construct exited.

[*Macro*] **return** [result]

(**return form**) is identical in meaning to (**return-from nil form**); it returns from a block named **nil**. Blocks established implicitly by iteration

constructs such as **do** are named **nil**, so that **return** will exit properly from such a construct.

## 7.8 Iteration

Common Lisp provides a number of iteration constructs. The **loop** construct provides a trivial iteration facility; it is little more than a **progn** with a branch from the bottom back to the top. The **do** and **do\*** constructs provide a general iteration facility for controlling the variation of several variables on each cycle. For specialized iterations over the elements of a list or  $n$  consecutive integers, **dolist** and **dotimes** are provided. The **tagbody** construct is the most general, permitting arbitrary **go** statements within it. (The traditional **prog** construct is a synthesis of **tagbody**, **block**, and **let**.) Most of the iteration constructs permit statically defined non-local exits (see **return-from** and **return**).

### 7.8.1 Indefinite Iteration

The **loop** construct is the simplest iteration facility. It controls no variables, and simply executes its body repeatedly.

```
/Macro/ loop {form}*
```

Each *form* is evaluated in turn from left to right. When the last *form* has been evaluated, then the first *form* is evaluated again, and so on, in a never-ending cycle. The **loop** construct never returns a value. Its execution must be terminated explicitly, using **return** or **throw**, for example.

**loop**, like most iteration constructs, establishes an implicit block named **nil**. Thus **return** may be used to exit from a **loop** with specified results.

There is an extension of **loop**. See chapter 26.

## 7.8.2 General Iteration

In contrast to **loop**, **do** and **do\*** provide a powerful and general mechanism for repetitively recalculating many variables.

```
[Macro] do ((var [init [step]])*
  (end-test {result}*)
  {declaration}* {tag | statement}*)
[Macro] do* ((var [init [step]])*
  (end-test {result}*)
  {declaration}* {tag | statement}*)
```

The **do** special operator provides a generalized iteration facility, with an arbitrary number of “index variables.” These variables are bound within the iteration and stepped in parallel in specified ways. They may be used both to generate successive values of interest (such as successive integers) or to accumulate results. When an end condition is met, the iteration terminates with a specified value.

In general, a **do** loop looks like this:

```
(do ((var1 init1 step1)
    (var2 init2 step2)
    ...
    (varn initn stepn))
  (end-test . result)
  {declaration}*
  . tagbody)
```

A **do\*** loop looks exactly the same except that the name **do** is replaced by **do\***.

The first item in the form is a list of zero or more index-variable specifiers. Each index-variable specifier is a list of the name of a variable *var*, an initial value *init*, and a stepping form *step*. If *init* is omitted, it defaults to **nil**. If *step* is omitted, the *var* is not changed by the **do** construct between repetitions (though code within the **do** is free to alter the value of the variable by using **setq**).

An index-variable specifier can also be just the name of a variable. In this case, the variable has an initial value of **nil** and is not changed between repetitions. As a matter of style, it is recommended that an unadorned variable name be written only when that variable will be stored into (such

as by **setq**) before its first use. If it is important that the initial value be **nil** rather than some undefined value, then it is clearer to write out (*varj nil*) if the initial value is intended to mean “false,” or (*varj '()*) if the initial value is intended to be an empty list.

X3J13 voted in January 1989 to regularize the binding formats for **do**, **do\***, **let**, **let\***, **prog**, **prog\***, and **compiler-let**. In the case of **do** and **do\*** the first edition was inconsistent; the formal syntax fails to reflect the fact that a simple variable name may appear, as described in the preceding paragraph. The definitions should read

```
/Macro/ do ({var | (var [init [step]])}*)
  (end-test {result}*)
  {declaration}* {tag | statement}*

/Macro/ do* ({var | (var [init [step]])}*)
  (end-test {result}*)
  {declaration}* {tag | statement}*
```

for consistency with the reading of the first edition and the X3J13 vote.

Before the first iteration, all the *init* forms are evaluated, and each *var* is bound to the value of its respective *init*. This is a binding, not an assignment; when the loop terminates, the old values of those variables will be restored. For **do**, all of the *init* forms are evaluated *before* any *var* is bound; hence all the *init* forms may refer to the old bindings of all the variables (that is, to the values visible before beginning execution of the **do** construct). For **do\***, the first *init* form is evaluated, then the first *var* is bound to that value, then the second *init* form is evaluated, then the second *var* is bound, and so on; in general, the *initj* form can refer to the *new* binding *vark* if  $k < j$ , and otherwise to the *old* binding of *vark*.

The second element of the loop is a list of an end-testing predicate form *end-test* and zero or more *result* forms. This resembles a **cond** clause. At the beginning of each iteration, after processing the variables, the *end-test* is evaluated. If the result is **nil**, execution proceeds with the body of the **do** (or **do\***) form. If the result is not **nil**, the *result* forms are evaluated in order as an implicit **progn**, and then **do** returns. **do** returns the results of evaluating the last *result* form. If there are no *result* forms, the value of **do** is **nil**. Note that this is not quite analogous to the treatment of clauses in a **cond** form, because a **cond** clause with no *result* forms returns the (non-**nil**) result of the test.

At the beginning of each iteration other than the first, the index variables



are updated as follows. All the *step* forms are evaluated, from left to right, and the resulting values are assigned to the respective index variables. Any variable that has no associated *step* form is not assigned to. For **do**, all the *step* forms are evaluated before any variable is updated; the assignment of values to variables is done in parallel, as if by **psetq**. Because *all* of the *step* forms are evaluated before *any* of the variables are altered, a *step* form when evaluated always has access to the *old* values of *all* the index variables, even if other *step* forms precede it. For **do\***, the first *step* form is evaluated, then the value is assigned to the first *var*, then the second *step* form is evaluated, then the value is assigned to the second *var*, and so on; the assignment of values to variables is done sequentially, as if by **setq**. For either **do** or **do\***, after the variables have been updated, the *end-test* is evaluated as described above, and the iteration continues.

If the *end-test* of a **do** form is **nil**, the test will never succeed. Therefore this provides an idiom for “do forever”: the *body* of the **do** is executed repeatedly, stepping variables as usual. (The **loop** construct performs a “do forever” that steps no variables.) The infinite loop can be terminated by the use of **return**, **return-from**, **go** to an outer level, or **throw**. For example:

```
(do ((j 0 (+ j 1)))
    (nil) ;Do forever
    (format t "~%Input ~D:" j)
    (let ((item (read)))
      (if (null item) (return) ;Process items until nil seen
          (format t "~&Output ~D: ~S" j (process item))))))
```

The remainder of the **do** form constitutes an implicit **tagbody**. Tags may appear within the body of a **do** loop for use by **go** statements appearing in the body (but such **go** statements may not appear in the variable specifiers, the *end-test*, or the *result* forms). When the end of a **do** body is reached, the next iteration cycle (beginning with the evaluation of *step* forms) occurs.

An implicit **block** named **nil** surrounds the entire **do** form. A **return** statement may be used at any point to exit the loop immediately.

**declare** forms may appear at the beginning of a **do** body. They apply to code in the **do** body, to the bindings of the **do** variables, to the *init* forms, to the *step* forms, to the *end-test*, and to the *result* forms.

Here are some examples of the use of **do**:

```
(do ((i 0 (+ i 1)) ;Sets every null element of a-vector to zero
      (n (length a-vector)))
    ((= i n)
     (when (null (aref a-vector i))
           (setf (aref a-vector i) 0))))
```

The construction

```
(do ((x e (cdr x))
      (oldx x x)
      ((null x))
      body)
```

exploits parallel assignment to index variables. On the first iteration, the value of **oldx** is whatever value **x** had before the **do** was entered. On succeeding iterations, **oldx** contains the value that **x** had on the previous iteration.

Very often an iterative algorithm can be most clearly expressed entirely in the *step* forms of a **do**, and the *body* is empty. For example,

```
(do ((x foo (cdr x))
      (y bar (cdr y))
      (z '() (cons (f (car x) (car y)) z)))
    ((or (null x) (null y))
     (nreverse z)))
```

does the same thing as (**mapcar #'f foo bar**). Note that the *step* computation for **z** exploits the fact that variables are stepped in parallel. Also, the body of the loop is empty. Finally, the use of **nreverse** to put an accumulated **do** loop result into the correct order is a standard idiom. Another example:

```
(defun list-reverse (list)
  (do ((x list (cdr x))
        (y '() (cons (car x) y)))
      ((endp x) y)))
```

Note the use of **endp** rather than **null** or **atom** to test for the end of a list; this may result in more robust code.

As an example of nested loops, suppose that **env** holds a list of conses. The *car* of each cons is a list of symbols, and the *cdr* of each cons is a

list of equal length containing corresponding values. Such a data structure is similar to an association list but is divided into “frames”; the overall structure resembles a rib cage. A lookup function on such a data structure might be

```
(defun ribcage-lookup (sym ribcage)
  (do ((r ribcage (cdr r)))
      ((null r) nil)
    (do ((s (caar r) (cdr s))
        (v (cdar r) (cdr v)))
        ((null s)
         (when (eq (car s) sym)
           (return-from ribcage-lookup (car v)))))))
```

(Notice the use of indentation in the above example to set off the bodies of the **do** loops.)

A **do** loop may be explained in terms of the more primitive constructs **block**, **return**, **let**, **loop**, **tagbody**, and **psetq** as follows:

```
(block nil
  (let ((var1 init1)
        (var2 init2)
        ...
        (varn initn))
    {declaration}*
    (loop (when end-test (return (progn . result)))
          (tagbody . tagbody)
          (psetq var1 step1
                 var2 step2
                 ...
                 varn stepn))))
```

**do\*** is exactly like **do** except that the bindings and steppings of the variables are performed sequentially rather than in parallel. It is as if, in the above explanation, **let** were replaced by **let\*** and **psetq** were replaced by **setq**.

### 7.8.3 Simple Iteration Constructs

The constructs **dolist** and **dotimes** execute a body of code once for each value taken by a single variable. They are expressible in terms of **do**, but capture very common patterns of use.

Both **dolist** and **dotimes** perform a body of statements repeatedly. On each iteration a specified variable is bound to an element of interest that the body may examine. **dolist** examines successive elements of a list, and **dotimes** examines integers from 0 to  $n - 1$  for some specified positive integer  $n$ .

The value of any of these constructs may be specified by an optional result form, which if omitted defaults to the value **nil**.

The **return** statement may be used to return immediately from a **dolist** or **dotimes** form, discarding any following iterations that might have been performed; in effect, a **block** named **nil** surrounds the construct. The body of the loop is implicitly a **tagbody** construct; it may contain tags to serve as the targets of **go** statements. Declarations may appear before the body of the loop.

```
[Macro] dolist (var listform [resultform])
  {declaration}* {tag | statement}*
```

**dolist** provides straightforward iteration over the elements of a list. First **dolist** evaluates the form *listform*, which should produce a list. It then executes the body once for each element in the list, in order, with the variable *var* bound to the element. Then *resultform* (a single form, *not* an implicit **progn**) is evaluated, and the result is the value of the **dolist** form. (When the *resultform* is evaluated, the control variable *var* is still bound and has the value **nil**.) If *resultform* is omitted, the result is **nil**.

```
(dolist (x '(a b c d)) (prin1 x) (princ " ")) ⇒ nil
  after printing “a b c d ” (note the trailing space)
```

An explicit **return** statement may be used to terminate the loop and return a specified value.

X3J13 voted in January 1989 to restrict user side effects; see section 7.9.

```
[Macro] dotimes (var countform [resultform])
  {declaration}* {tag | statement}*
```

**dotimes** provides straightforward iteration over a sequence of integers. The expression (**dotimes** (*var countform resultform*) . *progbody*) evaluates the form *countform*, which should produce an integer. It then performs *progbody* once for each integer from zero (inclusive) to *count* (exclusive), in order, with the variable *var* bound to the integer; if the value of *countform* is zero or negative, then the *progbody* is performed zero times. Finally, *resultform* (a single form, *not* an implicit **progn**) is evaluated, and the result

is the value of the **dotimes** form. (When the *resultform* is evaluated, the control variable *var* is still bound and has as its value the number of times the body was executed.) If *resultform* is omitted, the result is **nil**.

An explicit **return** statement may be used to terminate the loop and return a specified value.

Here is an example of the use of **dotimes** in processing strings:

```
;;; True if the specified subsequence of the string is a
;;; palindrome (reads the same forwards and backwards).
```

```
(defun palindromep (string &optional
                    (start 0)
                    (end (length string)))
  (dotimes (k (floor (- end start) 2) t)
    (unless (char-equal (char string (+ start k))
                        (char string (- end k 1)))
      (return nil))))

(palindromep "Able was I ere I saw Elba") => t

(palindromep "A man, a plan, a canal–Panama!") => nil

(remove-if-not #'alpha-char-p ;Remove punctuation
  "A man, a plan, a canal–Panama!")
=> "AmanaplanacanalPanama"

(palindromep
  (remove-if-not #'alpha-char-p
    "A man, a plan, a canal–Panama!")) => t

(palindromep
  (remove-if-not
    #'alpha-char-p
    "Unremarkable was I ere I saw Elba Kramer, nu?")) => t
```

```
(palindromep
 (remove-if-not
  #'alpha-char-p
  "A man, a plan, a cat, a ham, a yak,
   a yam, a hat, a canal-Panama!")) ⇒ t

(palindromep
 (remove-if-not
  #'alpha-char-p
  "Ja-da, ja-da, ja-da ja-da jing jing jing")) ⇒ nil
```

Altering the value of *var* in the body of the loop (by using **setq**, for example) will have unpredictable, possibly implementation-dependent results. A Common Lisp compiler may choose to issue a warning if such a variable appears in a **setq**.

See also **do-symbols**, **do-external-symbols**, and **do-all-symbols**.

### 7.8.4 Mapping

Mapping is a type of iteration in which a function is successively applied to pieces of one or more sequences. The result of the iteration is a sequence containing the respective results of the function applications. There are several options for the way in which the pieces of the list are chosen and for what is done with the results returned by the applications of the function.

The function **map** may be used to map over any kind of sequence. The following functions operate only on lists.

```
[Function] mapcar function list &rest more-lists
[Function] maplist function list &rest more-lists
[Function] mapc function list &rest more-lists
[Function] mapl function list &rest more-lists
[Function] mapcan function list &rest more-lists
[Function] mapcon function list &rest more-lists
```

For each of these mapping functions, the first argument is a function and the rest must be lists. The function must take as many arguments as there are lists.

**mapcar** operates on successive elements of the lists. First the function is applied to the *car* of each list, then to the *cadr* of each list, and so on. (Ideally all the lists are the same length; if not, the iteration terminates when

the shortest list runs out, and excess elements in other lists are ignored.) The value returned by **mapcar** is a list of the results of the successive calls to the function. For example:

```
(mapcar #'abs '(3 -4 2 -5 -6)) => (3 4 2 5 6)
(mapcar #'cons '(a b c) '(1 2 3)) => ((a . 1) (b . 2) (c . 3))
```

**maplist** is like **mapcar** except that the function is applied to the lists and successive *cdr*'s of those lists rather than to successive elements of the lists. For example:

```
(maplist #'(lambda (x) (cons 'foo x))
         '(a b c d))
=> ((foo a b c d) (foo b c d) (foo c d) (foo d))

(maplist #'(lambda (x) (if (member (car x) (cdr x)) 0 1)))
         '(a b a c d b c))
=> (0 0 1 0 1 1 1)
;An entry is 1 if the corresponding element of the input
; list was the last instance of that element in the input list.
```

**mapl** and **mapc** are like **maplist** and **mapcar**, respectively, except that they do not accumulate the results of calling the function.

These functions are used when the function is being called merely for its side effects rather than for its returned values. The value returned by **mapl** or **mapc** is the second argument, that is, the first sequence argument.

**mapcan** and **mapcon** are like **mapcar** and **maplist**, respectively, except that they combine the results of the function using **nconc** instead of **list**. That is,

```
(mapcon f x1 ... xn)
≡ (apply #'nconc (maplist f x1 ... xn))
```

and similarly for the relationship between **mapcan** and **mapcar**. Conceptually, these functions allow the mapped function to return a variable number of items to be put into the output list. This is particularly useful for effectively returning zero or one item:

```
(mapcan #'(lambda (x) (and (numberp x) (list x)))
        '(a 1 b c 3 4 d 5))
=> (1 3 4 5)
```

In this case the function serves as a filter; this is a standard Lisp idiom using **mapcan**. (The function **remove-if-not** might have been useful in this particular context, however.) Remember that **nconc** is a destructive operation, and therefore so are **mapcan** and **mapcon**; the lists returned by the *function* are altered in order to concatenate them.

Sometimes a **do** or a straightforward recursion is preferable to a mapping operation; however, the mapping functions should be used wherever they naturally apply because this increases the clarity of the code.

The functional argument to a mapping function must be acceptable to **apply**; it cannot be a macro or the name of a special operator. Of course, there is nothing wrong with using a function that has **&optional** and **&rest** parameters as the functional argument.

X3J13 voted in June 1988 to allow the *function* to be only of type **symbol** or **function**; a lambda-expression is no longer acceptable as a functional argument. One must use the **function** special operator or the abbreviation **#'** before a lambda-expression that appears as an explicit argument form.

X3J13 voted in January 1989 to restrict user side effects; see section 7.9.

### 7.8.5 The “Program Feature”

Lisp implementations since Lisp 1.5 have had what was originally called “the program feature,” as if it were impossible to write programs without it! The **prog** construct allows one to write in an Algol-like or Fortran-like statement-oriented style, using **go** statements that can refer to tags in the body of the **prog**. Modern Lisp programming style tends to use **prog** rather infrequently. The various iteration constructs, such as **do**, have bodies with the characteristics of a **prog**. (However, the ability to use **go** statements within iteration constructs is very seldom called upon in practice.)

Three distinct operations are performed by **prog**: it binds local variables, it permits use of the **return** statement, and it permits use of the **go** statement. In Common Lisp, these three operations have been separated into three distinct constructs: **let**, **block**, and **tagbody**. These three constructs may be used independently as building blocks for other types of constructs.

*[Special operator]* **tagbody** {tag | statement}\*

The part of a **tagbody** after the variable list is called the *body*. An item in the body may be a symbol or an integer, in which case it is called a *tag*, or an item in the body may be a list, in which case it is called a *statement*.



Each element of the body is processed from left to right. A *tag* is ignored; a *statement* is evaluated, and its results are discarded. If the end of the body is reached, the **tagbody** returns **nil**.

If (**go tag**) is evaluated, control jumps to the part of the body labelled with the *tag*.

The scope of the tags established by a **tagbody** is lexical, and the extent is dynamic. Once a **tagbody** construct has been exited, it is no longer legal to **go** to a *tag* in its body. It is permissible for a **go** to jump to a **tagbody** that is not the innermost **tagbody** construct containing that **go**; the tags established by a **tagbody** will only shadow other tags of like name.

The lexical scoping of the **go** targets named by tags is fully general and has consequences that may be surprising to users and implementors of other Lisp systems. For example, the **go** in the following example actually does work in Common Lisp as one might expect:

```
(tagbody
  (catch 'stuff
    (mapcar #'(lambda (x) (if (numberp x)
                            (hairyfun x)
                            (go lose)))
            items))
  (return)
lose
  (error "I lost big!"))
```

Depending on the situation, a **go** in Common Lisp does not necessarily correspond to a simple machine “jump” instruction. A **go** can break up catchers if necessary to get to the target. It is possible for a “closure” created by **function** for a lambda-expression to refer to a **go** target as long as the tag is lexically apparent. See chapter 3 for an elaborate example of this.

There are some holes in this specification (and that of **go**) that leave some room for interpretation. For example, there is no explicit prohibition against the same tag appearing more than once in the same **tagbody** body. Every implementation I know of will complain in the compiler, if not in the interpreter, if there is a **go** to such a duplicated tag; but some implementors take the position that duplicate tags are permitted provided there is no **go** to such a tag. (“If a tree falls in the forest, and there is no one there to hear it, then no one needs to yell ‘Timber!’”) Also, some implementations allow objects other than symbols, integers, and lists in the body and typically

ignore them. Consequently, some programmers use redundant tags such as — for formatting purposes, and strings as comments:

```
(defun dining-philosopher (j)
  (tagbody —
    think (unless (hungry) (go think))
    —
    "Can't eat without chopsticks."
    (snatch (chopstick j))
    (snatch (chopstick (mod (+ j 1) 5)))
    —
    eat (when (hungry)
        (mapc #'gobble-down
              '(twice-cooked-pork kung-pao-chi-ding
                wu-dip-har orange-flavor-beef
                two-side-yellow-noodles twinkies))
        (go eat))
    —
    "Can't think with my neighbors' stomachs rumbling."
    (relinquish (chopstick j))
    (relinquish (chopstick (mod (+ j 1) 5)))
    —
    (if (happy) (go think)
        (become insurance-salesman))))
```

In certain implementations of Common Lisp they get away with it. Others abhor what they view as an abuse of unintended ambiguity in the language specification. For maximum portability, I advise users to steer clear of these issues. Similarly, it is best to avoid using **nil** as a tag, even though it is a symbol, because a few implementations treat **nil** as a list to be executed. To be extra careful, avoid calling from within a **tagbody** a macro whose expansion might not be a non-**nil** list; wrap such a call in **(progn ...)**, or rewrite the macro to return **(progn ...)** if possible.

```
/Macro/ prog ({var | (var [init])})* {declaration}* {tag | statement}*
/Macro/ prog* ({var | (var [init])})* {declaration}* {tag | statement}*
```

The **prog** construct is a synthesis of **let**, **block**, and **tagbody**, allowing bound variables and the use of **return** and **go** within a single construct. A typical **prog** construct looks like this:

```
(prog (var1 var2 (var3 init3) var4 (var5 init5))
      {declaration}*
      statement1
tag1
      statement2
      statement3
      statement4
tag2
      statement5
      ...
)
```

The list after the keyword **prog** is a set of specifications for binding *var1*, *var2*, etc., which are temporary variables bound locally to the **prog**. This list is processed exactly as the list in a **let** statement: first all the *init* forms are evaluated from left to right (where **nil** is used for any omitted *init* form), and then the variables are all bound in parallel to the respective results. Any *declaration* appearing in the **prog** is used as if appearing at the top of the **let** body.

The body of the **prog** is executed as if it were a **tagbody** construct; the **go** statement may be used to transfer control to a *tag*.

A **prog** implicitly establishes a **block** named **nil** around the entire **prog** construct, so that **return** may be used at any time to exit from the **prog** construct.

Here is a fine example of what can be done with **prog**:

```
(defun king-of-confusion (w)
  "Take a cons of two lists and make a list of conses.
  Think of this function as being like a zipper."
  (prog (x y z) ;Initialize x, y, z to nil
        (setq y (car w) z (cdr w))
  loop
        (cond ((null y) (return x))
              ((null z) (go err)))
  rejoin
        (setq x (cons (cons (car y) (car z)) x))
        (setq y (cdr y) z (cdr z))
        (go loop)
  err
```

```
(error "Will self-pair extraneous items"
      "Mismatch - gleep! S" y)
(setq z y)
(go rejoin)))
```

which is accomplished somewhat more perspicuously by

```
(defun prince-of-clarity (w)
  "Take a cons of two lists and make a list of conses.
  Think of this function as being like a zipper."
  (do ((y (car w) (cdr y))
       (z (cdr w) (cdr z))
       (x '() (cons (cons (car y) (car z)) x)))
      ((null y) x)
      (when (null z)
        (error "Will self-pair extraneous items"
              "Mismatch - gleep! S" y)
        (setq z y))))
```

The **prog** construct may be explained in terms of the simpler constructs **block**, **let**, and **tagbody** as follows:

```
(prog variable-list {declaration}* . body)
≡ (block nil (let variable-list {declaration}* (tagbody . body)))
```

The **prog\*** special operator is almost the same as **prog**. The only difference is that the binding and initialization of the temporary variables is done *sequentially*, so that the *init* form for each one can use the values of previous ones. Therefore **prog\*** is to **prog** as **let\*** is to **let**. For example,

```
(prog* ((y z) (x (car y)))
  (return x))
```

returns the *car* of the value of **z**.

I haven't seen **prog** used very much in the last several years. Apparently splitting it into functional constituents (**let**, **block**, **tagbody**) has been a success. Common Lisp programmers now tend to use whichever specific construct is appropriate.

*[Special operator]* **go** tag

The (**go tag**) special operator is used to do a "go to" within a **tagbody** construct. The *tag* must be a symbol or an integer; the *tag* is not evaluated.

**go** transfers control to the point in the body labelled by a tag **eq1** to the one given. If there is no such tag in the body, the bodies of lexically containing **tagbody** constructs (if any) are examined as well. It is an error if there is no matching tag lexically visible to the point of the **go**.

The **go** form does not ever return a value.

As a matter of style, it is recommended that the user think twice before using a **go**. Most purposes of **go** can be accomplished with one of the iteration primitives, nested conditional forms, or **return-from**. If the use of **go** seems to be unavoidable, perhaps the control structure implemented by **go** should be packaged as a macro definition.

## 7.9 Structure Traversal and Side Effects

X3J13 voted in January 1989 to restrict side effects during the course of a built-in operation that can execute user-supplied code while traversing a data structure.

Consider the following example:

```
(let ((x '(apples peaches pumpkin pie)))
  (dolist (z x)
    (when (eq z 'peaches)
      (setf (caddr x) '(mango kumquat)))
    (format t " S " (car z))))
```

Depending on the details of the implementation of **dolist**, this bit of code could easily print

```
apples peaches mango kumquat
```

(which is perhaps what was intended), but it might as easily print

```
apples peaches pumpkin pie
```

Here is a plausible implementation of **dolist** that produces the first result:

```
(defmacro dolist ((var listform &optional (resultform "nil"))
  &body body)
  (let ((tailvar (gensym "DOLIST")))
    ' (do ((,tailvar ,listform (cdr ,tailvar))
          ((null ,tailvar) ,resultform)
          (let ((,var (car ,tailvar))) ,@body))
```

But here is a plausible implementation of **dolist** that produces the second result:

```
(defmacro dolist ((var listform &optional (resultform "nil"))
                 &body body)
  (let ((tailvar (gensym "DOLIST")))
    '(do ((,tailvar ,listform)
          ((null ,tailvar) ,resultform)
          (let ((,var (pop ,tailvar))) ,@body)))
```

The X3J13 recognizes and legitimizes varying implementation practices: in general it is an error for code executed during a “structure-traversing” operation to destructively modify the structure in a way that might affect the ongoing traversal operation. The committee identified in particular the following special cases.

For list traversal operations, the *cdr* chain may not be destructively modified.

For array traversal operations, the array may not be adjusted (see **adjust-array**) and its fill pointer, if any, may not be modified.

For hash table operations (such as **with-hash-table-iterator** and **maphash**), new entries may not be added or deleted, *except* that the very entry being processed by user code may be changed or deleted.

For package symbol operations (for example, **with-package-iterator** and **do-symbols**), new symbols may not be interned in, nor symbols un-interned from, the packages being traversed or any packages they use, *except* that the very symbol being processed by user code may be uninterned.

X3J13 noted that this vote is intended to clarify restrictions on the use of structure traversal operations that are not themselves inherently destructive; for example, it applies to **map** and **dolist**. Destructive operators such as **delete** require even more complicated restrictions and are addressed by a separate proposal.

The X3J13 vote did not specify a complete list of the operations to which these restrictions apply. Table 7.1 shows what I believe to be a complete list of operations that traverse structures and take user code as a body (in the case of macros) or as a functional argument (in the case of functions).

In addition, note that user code should not modify list structure that might be undergoing interpretation by the evaluator, whether explicitly invoked via **eval** or implicitly invoked, for example as in the case of a hook

function (a **defstruct** print function, the value of **\*evalhook\*** or **\*apply-hook\***, etc.) that happens to be a closure of interpreted code. Similarly, **defstruct** print functions and other hooks should not perform side effects on data structures being printed or being processed by **format**, or on a string given to **make-string-input-stream**. You get the idea; be sensible.

Note that an operation such as **mapcar** or **dolist** traverses not only *cdr* pointers (in order to chase down the list) but also *car* pointers (in order to obtain the elements themselves). The restriction against modification appears to apply to all these pointers.

## 7.10 Multiple Values

Ordinarily the result of calling a Lisp function is a single Lisp object. Sometimes, however, it is convenient for a function to compute several objects and return them. Common Lisp provides a mechanism for handling multiple values directly. This mechanism is cleaner and more efficient than the usual tricks involving returning a list of results or stashing results in global variables.

### 7.10.1 Constructs for Handling Multiple Values

Normally multiple values are not used. Special operators are required both to *produce* multiple values and to *receive* them. If the caller of a function does not request multiple values, but the called function produces multiple values, then the first value is given to the caller and all others are discarded; if the called function produces zero values, then the caller gets **nil** as a value.

The primary primitive for producing multiple values is **values**, which takes any number of arguments and returns that many values. If the last form in the body of a function is a **values** with three arguments, then a call to that function will return three values. Other special forms also produce multiple values, but they can be described in terms of **values**. Some built-in Common Lisp functions, such as **floor**, return multiple values; those that do are so documented.

The special operators and macros for receiving multiple values are as follows:

multiple-value-list  
multiple-value-call

```
multiple-value-prog1
multiple-value-bind
multiple-value-setq
```

These specify a form to evaluate and an indication of where to put the values returned by that form.

*[Function]* **values** &rest args

All of the arguments are returned, in order, as values. For example:

```
(defun polar (x y)
  (values (sqrt (+ (* x x) (* y y))) (atan y x)))

(multiple-value-bind (r theta) (polar 3.0 4.0)
  (vector r theta))
⇒ #(5.0 0.9272952)
```

The expression (**values**) returns zero values. This is the standard idiom for returning no values from a function.

Sometimes it is desirable to indicate explicitly that a function will return exactly one value. For example, the function

```
(defun foo (x y)
  (floor (+ x y) y))
```

will return two values because **floor** returns two values. It may be that the second value makes no sense, or that for efficiency reasons it is desired not to compute the second value. The **values** function is the standard idiom for indicating that only one value is to be returned, as shown in the following example.

```
(defun foo (x y)
  (values (floor (+ x y) y)))
```

This works because **values** returns exactly *one* value for each of its argument forms; as for any function call, if any argument form to **values** produces more than one value, all but the first are discarded.

There is absolutely no way in Common Lisp for a caller to distinguish between returning a single value in the ordinary manner and returning exactly one “multiple value.” For example, the values returned by the expressions



$(+ 1 2)$  and  $(\text{values } (+ 1 2))$  are identical in every respect: the single value **3**.

*[Constant]* **multiple-values-limit**

The value of **multiple-values-limit** is a positive integer that is the upper exclusive bound on the number of values that may be returned from a function. This bound depends on the implementation but will not be smaller than 20. (Implementors are encouraged to make this limit as large as practicable without sacrificing performance.) See **lambda-parameters-limit** and **call-arguments-limit**.

*[Function]* **values-list** *list*

All of the elements of *list* are returned as multiple values. For example:

$(\text{values-list } (\text{list } a\ b\ c)) \equiv (\text{values } a\ b\ c)$

In general,

$(\text{values-list } list) \equiv (\text{apply } \#\text{'values } list)$

but **values-list** may be clearer or more efficient.

*[Macro]* **multiple-value-list** *form*

**multiple-value-list** evaluates *form* and returns a list of the multiple values it returned. For example:

$(\text{multiple-value-list } (\text{floor } -3\ 4)) \Rightarrow (-1\ 1)$

**multiple-value-list** and **values-list** are therefore inverses of each other.

*[Special operator]* **multiple-value-call** *function* {*form*}\*

**multiple-value-call** first evaluates *function* to obtain a function and then evaluates all of the *forms*. All the values of the *forms* are gathered together (not just one value from each) and are all given as arguments to the function. The result of **multiple-value-call** is whatever is returned by the function. For example:

$(+ (\text{floor } 5\ 3) (\text{floor } 19\ 4))$

$\equiv (+ 1\ 4) \Rightarrow 5$

$(\text{multiple-value-call } \#\text{' } + (\text{floor } 5\ 3) (\text{floor } 19\ 4))$

$\equiv (+ 1\ 2\ 4\ 3) \Rightarrow 10$

$(\text{multiple-value-list } form) \equiv (\text{multiple-value-call } \#\text{'list } form)$

*[Special operator]* **multiple-value-prog1** form {form}\*

**multiple-value-prog1** evaluates the first *form* and saves all the values produced by that form. It then evaluates the other *forms* from left to right, discarding their values. The values produced by the first *form* are returned by **multiple-value-prog1**. See **prog1**, which always returns a single value.

*[Macro]* **multiple-value-bind** ({var}\*) values-form  
 {declaration}\* {form}\*

The *values-form* is evaluated, and each of the variables *var* is bound to the respective value returned by that form. If there are more variables than values returned, extra values of **nil** are given to the remaining variables. If there are more values than variables, the excess values are simply discarded. The variables are bound to the values over the execution of the forms, which make up an implicit **progn**. For example:

```
(multiple-value-bind (x) (floor 5 3) (list x)) ⇒ (1)
(multiple-value-bind (x y) (floor 5 3) (list x y)) ⇒ (1 2)
(multiple-value-bind (x y z) (floor 5 3) (list x y z))
⇒ (1 2 nil)
```

*[Macro]* **multiple-value-setq** variables form

The *variables* must be a list of variables. The *form* is evaluated, and the variables are *set* (not bound) to the values returned by that form. If there are more variables than values returned, extra values of **nil** are assigned to the remaining variables. If there are more values than variables, the excess values are simply discarded.

**multiple-value-setq** always returns a single value, which is the first value returned by *form*, or **nil** if *form* produces zero values.

X3J13 voted in March 1989 to specify that if any *var* refers not to an ordinary variable but to a binding made by **symbol-macrolet**, then that *var* is handled as if **setq** were used to assign the appropriate value to it.

*[Macro]* **nth-value** n form

X3J13 voted in January 1989 to add a new macro named **nth-value**. The argument forms *n* and *form* are both evaluated. The value of *n* must be a non-negative integer, and the *form* may produce any number of values. The integer *n* is used as a zero-based index into the list of values. Value *n* of the *form* is returned as the single value of the **nth-value** form; **nil** is returned if the *form* produces no more than *n* values.

As an example, **mod** could be defined as

```
(defun mod (number divisor)
  (nth-value 1 (floor number divisor)))
```

Value number 1 is the *second* value returned by **floor**, the first value being value number 0.

One could define **nth-value** simply as

```
(defmacro nth-value (n form)
  `(nth ,n (multiple-value-list form)))
```

but the clever implementor will doubtless find an implementation technique for **nth-value** that avoids constructing an intermediate list of all the values of the *form*.

### 7.10.2 Rules Governing the Passing of Multiple Values

It is often the case that the value of a special operator or macro call is defined to be the value of one of its subforms. For example, the value of a **cond** is the value of the last form in the selected clause.

In most such cases, if the subform produces multiple values, then the original form will also produce all of those values. This *passing back* of multiple values of course has no effect unless eventually one of the special operators for receiving multiple values is reached.

To be explicit, multiple values can result from a special operator under precisely these circumstances:

#### *Evaluation and application*

- **eval** returns multiple values if the form given it to evaluate produces multiple values.
- **apply**, **funcall**, and **multiple-value-call** pass back multiple values from the function applied or called.

#### *Implicit progn contexts*

- The special operator **progn** passes back multiple values resulting from evaluation of the last subform. Other situations referred to as “implicit **progn**,” where several forms are evaluated and the results of all but the last form are discarded, also pass back multiple values from the last form. These situations include the body

of a lambda-expression, in particular those constructed by **defun**, **defmacro**, and **deftype**. Also included are bodies of the constructs **eval-when**, **progv**, **let**, **let\***, **when**, **unless**, **block**, **multiple-value-bind**, and **catch**, as well as clauses in such conditional constructs as **case**, **typecase**, **ecase**, **etypecase**, **ccase**, and **ctypecase**.

X3J13 has voted to add many new constructs to the language that contain implicit **progn** contexts. I won't attempt to list them all here. Of particular interest, however, is **locally**, which may be regarded as simply a version of **progn** that permits declarations before its body. This provides a useful building block for constructing macros that permit declarations (but not documentation strings) before their bodies and pass back any multiple values produced by the last sub-form of a body. (If a body can contain a documentation string, most likely **lambda** is the correct building block to use.)

### *Conditional constructs*

- **if** passes back multiple values from whichever subform is selected (the *then* form or the *else* form).
- **and** and **or** pass back multiple values from the last subform but not from subforms other than the last.
- **cond** passes back multiple values from the last subform of the implicit **progn** of the selected clause. If, however, the clause selected is a singleton clause, then only a single value (the non-**nil** predicate value) is returned. This is true even if the singleton clause is the last clause of the **cond**. It is *not* permitted to treat a final clause (**x**) as being the same as (**t x**) for this reason; the latter passes back multiple values from the form **x**.

### *Returning from a block*

- The **block** construct passes back multiple values from its last subform when it exits normally. If **return-from** (or **return**) is used to terminate the **block** prematurely, then **return-from** passes back multiple values from its subform as the values of the terminated **block**. Other constructs that create implicit blocks, such as

**do**, **dolist**, **dotimes**, **prog**, and **prog\***, also pass back multiple values specified by **return-from** (or **return**).

- **do** passes back multiple values from the last form of the exit clause, exactly as if the exit clause were a **cond** clause. Similarly, **dolist** and **dotimes** pass back multiple values from the *resultform* if that is executed. These situations are all examples of implicit uses of **return-from**.

### *Throwing out of a catch*

- The **catch** construct returns multiple values if the result form in a **throw** exiting from such a catch produces multiple values.

### *Miscellaneous situations*

- **multiple-value-prog1** passes back multiple values from its first subform. However, **prog1** always returns a single value.
- **unwind-protect** returns multiple values if the form it protects returns multiple values.
- **the** returns multiple values if the form it contains returns multiple values.

Among special operators that *never* pass back multiple values are **prog1**, **prog2**, **setq**, and **multiple-value-setq**. The conventional way to force only one value to be returned from a form **x** is to write **(values x)**.

The most important rule about multiple values is: **No matter how many values a form produces, if the form is an argument form in a function call, then exactly one value (the first one) is used.**

For example, if you write **(cons (floor x))**, then **cons** will always receive *exactly* one argument (which is of course an error), even though **floor** returns two values. To pass both values from **floor** to **cons**, one must write something like **(multiple-value-call #'cons (floor x))**. In an ordinary function call, each argument form produces exactly *one* argument; if such a form returns zero values, **nil** is used for the argument, and if more than one value, all but the first are discarded. Similarly, conditional constructs such as **if** that test the value of a form will use exactly one value, the first one, from that form and discard the rest; such constructs will use **nil** as the test value if zero values are returned.

## 7.11 Dynamic Non-Local Exits

Common Lisp provides a facility for exiting from a complex process in a non-local, dynamically scoped manner. There are two classes of special operators for this purpose, called *catch* forms and *throw* forms, or simply *catches* and *throws*. A catch form evaluates some subforms in such a way that, if a throw form is executed during such evaluation, the evaluation is aborted at that point and the catch form immediately returns a value specified by the throw. Unlike **block** and **return** (section 7.7), which allow for exiting a **block** form from any point lexically within the body of the **block**, the catch/throw mechanism works even if the throw form is not textually within the body of the catch form. The throw need only occur within the extent (time span) of the evaluation of the body of the catch. This is analogous to the distinction between dynamically bound (special) variables and lexically bound (local) variables.

*[Special operator]* **catch** tag {form}\*  
 The **catch** special operator serves as a target for transfer of control by **throw**. The form *tag* is evaluated first to produce an object that names the catch; it may be any Lisp object. A catcher is then established with the object as the tag. The *forms* are evaluated as an implicit **progn**, and the results of the last form are returned, except that if during the evaluation of the *forms* a throw should be executed such that the tag of the throw matches (is **eq** to) the tag of the **catch** and the catcher is the most recent outstanding catcher with that tag, then the evaluation of the *forms* is aborted and the results specified by the throw are immediately returned from the **catch** expression. The catcher established by the **catch** expression is disestablished just before the results are returned.

The tag is used to match throws with catches. (**catch** 'foo *form*) will catch a (**throw** 'foo *form*) but not a (**throw** 'bar *form*). It is an error if **throw** is done when there is no suitable **catch** ready to catch it.

Catch tags are compared using **eq**, not **eql**; therefore numbers and characters should not be used as catch tags.

*[Special operator]* **unwind-protect** protected-form {cleanup-form}\*  
 Sometimes it is necessary to evaluate a form and make sure that certain side effects take place after the form is evaluated; a typical example is

```
(progn (start-motor)
      (drill-hole)
      (stop-motor))
```

The non-local exit facility of Common Lisp creates a situation in which the above code won't work, however: if **drill-hole** should do a throw to a catch that is outside of the **progn** form (perhaps because the drill bit broke), then **(stop-motor)** will never be evaluated (and the motor will presumably be left running). This is particularly likely if **drill-hole** causes a Lisp error and the user tells the error-handler to give up and abort the computation. (A possibly more practical example might be

```
(prog2 (open-a-file)
      (process-file)
      (close-the-file))
```

where it is desired always to close the file when the computation is terminated for whatever reason. This case is so important that Common Lisp provides the special operator **with-open-file** for this purpose.)

In order to allow the example hole-drilling program to work, it can be rewritten using **unwind-protect** as follows:

```
;; Stop the motor no matter what (even if it failed to start).
```

```
(unwind-protect
 (progn (start-motor)
       (drill-hole))
 (stop-motor))
```

If **drill-hole** does a throw that attempts to quit out of the **unwind-protect**, then **(stop-motor)** will be executed.

This example assumes that it is correct to call **stop-motor** even if the motor has not yet been started. Remember that an error or interrupt may cause an exit even before any initialization forms have been executed. Any state restoration code should operate correctly no matter where in the protected code an exit occurred. For example, the following code is not correct:

```
(unwind-protect
 (progn (incf *access-count*)
       (perform-access))
 (decf *access-count*))
```

If an exit occurs before completion of the **incf** operation the **decf** operation will be executed anyway, resulting in an incorrect value for **\*access-count\***. The correct way to code this is as follows:

```
(let ((old-count *access-count*))
  (unwind-protect
    (progn (incf *access-count*)
           (perform-access))
    (setq *access-count* old-count)))
```

As a general rule, **unwind-protect** guarantees to execute the *cleanup-forms* before exiting, whether it terminates normally or is aborted by a throw of some kind. (If, however, an exit occurs during execution of the *cleanup-forms*, no special action is taken. The *cleanup-forms* of an **unwind-protect** are not protected by that **unwind-protect**, though they may be protected if that **unwind-protect** occurs within the protected form of another **unwind-protect**.) **unwind-protect** returns whatever results from evaluation of the *protected-form* and discards all the results from the *cleanup-forms*.

It should be emphasized that **unwind-protect** protects against *all* attempts to exit from the protected form, including not only “dynamic exit” facilities such as **throw** but also “lexical exit” facilities such as **go** and **return-from**. Consider this situation:

```
(tagbody
  (let ((x 3))
    (unwind-protect
      (if (numberp x) (go out))
      (print x)))
  out
  ...)
```

When the **go** is executed, the call to **print** is executed first, and then the transfer of control to the tag **out** is completed.

X3J13 voted in March 1989 to clarify the interaction of **unwind-protect** with constructs that perform exits.

Let an *exit* be a point out of which control can be transferred. For a **throw** the exit is the matching **catch**; for a **return-from** the exit is the corresponding **block**. For a **go** the exit is the statement within the **tagbody** (the one to which the target tag belongs) which is being executed at the time the **go** is performed.



The extent of an exit is dynamic; it is not indefinite. The extent of an exit begins when the corresponding form (**catch**, **block**, or **tagbody** statement) is entered. When the extent of an exit has ended, it is no longer legal to return from it.

Note that the extent of an exit is not the same thing as the scope or extent of the designator by which the exit is identified. For example, a **block** name has lexical scope but the extent of its exit is dynamic. The extent of a **catch** tag could differ from the extent of the exit associated with the **catch** (which is exactly what is at issue here). The difference matters when there are transfers of control from the cleanup clauses of an **unwind-protect**.

When a transfer of control out of an exit is initiated by **throw**, **return-from**, or **go**, a variety of events occur before the transfer of control is complete:

- The cleanup clauses of any intervening **unwind-protect** clauses are evaluated.
- Intervening dynamic bindings of special variables and catch tags are undone.
- Intervening exits are *abandoned*, that is, their extent ends and it is no longer legal to attempt to transfer control from them.
- The extent of the exit being invoked ends.
- Control is finally passed to the target.

The first edition left the order of these events in some doubt. The implementation note for **throw** hinted that the first two processes are interwoven, but it was unclear whether it is permissible for an implementation to abandon all intervening exits before processing any intervening **unwind-protect** cleanup clauses.

The clarification adopted by X3J13 is as follows. Intervening exits are abandoned as soon as the transfer of control is initiated; in the case of a **throw**, this occurs at the beginning of the “second pass” mentioned in the implementation note. It is an error to attempt a transfer of control to an exit whose dynamic extent has ended.

Next the evaluation of **unwind-protect** cleanup clauses and the undoing of dynamic bindings and **catch** tags are performed together, in the order corresponding to the reverse of the order in which they were established.

The effect of this is that the cleanup clauses of an **unwind-protect** will see the same dynamic bindings of variables and **catch** tags as were visible when the **unwind-protect** was entered. (However, some of those **catch** tags may not be useable because they correspond to abandoned exit points.)

Finally control is transferred to the originally invoked exit and simultaneously that exit is abandoned.

The effect of this specification is that once a program has attempted to transfer control to a particular exit, an **unwind-protect** cleanup form cannot step in and decide to transfer control to a more recent (nested) exit, blithely forgetting the original exit request. However, a cleanup form may restate the request to transfer to the same exit that started the cleanup process.

Here is an example based on a nautical metaphor. The function **gently** moves an oar in the water with low force, but if an oar gets stuck, the caller will catch a crab. The function **row** takes a boat, an oar-stroking function, a stream, and a count; an oar is constructed for the boat and stream and the oar-stroking function is called **:count** times. The function **life** rows a particular boat. Merriment follows, except that if the oarsman is winded he must stop to catch his breath.

```
(defun gently (oar)
  (stroke oar :force 0.5)
  (when (stuck oar)
    (throw 'crab nil)))

(defun row (boat stroke-fn stream &key count)
  (let ((oar (make-oar boat stream)))
    (loop repeat count do (funcall stroke-fn oar))))

(defun life ()
  (catch 'crab
    (catch 'breath
      (unwind-protect
        (row *your-boat* #'gently *query-io* :count 3))
        (when (winded) (throw 'breath nil))))
    (loop repeat 4 (set-mode :merry))
    (dream))))
```

Suppose that the oar gets stuck, causing **gently** to call **throw** with the

tag **crab**. The program is then committed to exiting from the outer **catch** (the one with the tag **crab**). As control breaks out of the **unwind-protect** form, the **winded** test is executed. Suppose it is true; then another call to **throw** occurs, this time with the tag **breath**. The inner **catch** (the one with the tag **breath**) has been abandoned as a result of the first **throw** operation (still in progress). The clarification voted by X3J13 specifies that the program is in error for attempting to transfer control to an abandoned exit point. To put it in terms of the example: once you have begun to catch a crab, you cannot rely on being able to catch your breath.

Implementations may support longer extents for exits than is required by this specification, but portable programs may not rely on such extended extents.

(This specification is somewhat controversial. An alternative proposal was that the abandoning of exits should be lumped in with the evaluation of **unwind-protect** cleanup clauses and the undoing of dynamic bindings and **catch** tags, performing all in reverse order of establishment. X3J13 agreed that this approach is theoretically cleaner and more elegant but also more stringent and of little additional practical use. There was some concern that a more stringent specification might be a great added burden to some implementors and would achieve only a small gain for users.)

*[Special operator]* **throw** tag result

The **throw** special operator transfers control to a matching **catch** construct. The *tag* is evaluated first to produce an object called the throw tag; then the *result* form is evaluated, and its results are saved (if the *result* form produces multiple values, then *all* the values are saved). The most recent outstanding catch whose tag matches the throw tag is exited; the saved results are returned as the value(s) of the catch. A **catch** matches only if the catch tag is **eq** to the throw tag.

In the process, dynamic variable bindings are undone back to the point of the catch, and any intervening **unwind-protect** cleanup code is executed. The *result* form is evaluated before the unwinding process commences, and whatever results it produces are returned from the catch.

If there is no outstanding catcher whose tag matches the throw tag, no unwinding of the stack is performed, and an error is signalled. When the error is signalled, the outstanding catchers and the dynamic variable bindings are those in force at the point of the throw.

---

**Implementation note:** These requirements imply that throwing should typically

make two passes over the control stack. In the first pass it simply searches for a matching catch. In this search every **catch** must be considered, but every **unwind-protect** should be ignored. On the second pass the stack is actually unwound, one frame at a time, undoing dynamic bindings and outstanding **unwind-protect** constructs in reverse order of creation until the matching catch is reached.

---

Table 7.1: Structure Traversal Operations Subject to Side Effect Restrictions

adjoin	maphash	reduce
assoc	mapl	remove
assoc-if	maplist	remove-duplicates
assoc-if-not	member	remove-if
count	member-if	remove-if-not
count-if	member-if-not	search
count-if-not	merge	set-difference
delete	mismatch	set-exclusive-or
delete-duplicates	nintersection	some
delete-if	notany	sort
delete-if-not	notevery	stable-sort
do-all-symbols	nset-difference	sublis
do-external-symbols	nset-exclusive-or	subsetp
do-symbols	nsublis	subst
dolist	nsubst	subst-if
eval	nsubst-if	subst-if-not
every	nsubst-if-not	substitute
find	nsubstitute	substitute-if
find-if	nsubstitute-if	substitute-if-not
find-if-not	nsubstitute-if-not	tree-equal
intersection	nunion	union
certain loop clauses	position	with-hash-table-iterator
map	position-if	with-input-from-string
mapc	position-if-not	with-output-to-string
mapcan	rassoc	with-package-iterator
mapcar	rassoc-if	
mapcon	rassoc-if-not	



# Chapter 8

## Macros

The Common Lisp macro facility allows the user to define arbitrary functions that convert certain Lisp forms into different forms before evaluating or compiling them. This is done at the expression level, not at the character-string level as in most other languages. Macros are important in the writing of good code: they make it possible to write code that is clear and elegant at the user level but that is converted to a more complex or more efficient internal form for execution.

When **eval** is given a list whose *car* is a symbol, it looks for local definitions of that symbol (by **flet**, **labels**, and **macrolet**); if that fails, it looks for a global definition. If the definition is a macro definition, then the original list is said to be a *macro call*. Associated with the definition will be a function of two arguments, called the *expansion function*. This function is called with the entire macro call as its first argument (the second argument is a lexical environment); it must return some new Lisp form, called the *expansion* of the macro call. (Actually, a more general mechanism is involved; see **macroexpand**.) This expansion is then evaluated in place of the original form.

When a function is being compiled, any macros it contains are expanded at compilation time. This means that a macro definition must be seen by the compiler before the first use of the macro.

More generally, an implementation of Common Lisp has great latitude in deciding exactly when to expand macro calls within a program. For example, it is acceptable for the **defun** special operator to expand all macro calls within its body at the time the **defun** form is executed and record the fully expanded body as the body of the function being defined. (An implementa-

tion might even choose always to compile functions defined by **defun**, even when operating in an “interpretive” mode.)

Macros should be written so as to depend as little as possible on the execution environment to produce a correct expansion. To ensure consistent behavior, it is best to ensure that all macro definitions are available, whether to the interpreter or compiler, before any code containing calls to those macros is introduced.

In Common Lisp, macros are not functions. In particular, macros cannot be used as functional arguments to such functions as **apply**, **funcall**, or **map**; in such situations, the list representing the “original macro call” does not exist, and cannot exist, because in some sense the arguments have already been evaluated.

## 8.1 Macro Definition

The function **macro-function** determines whether a given symbol is the name of a macro. The **defmacro** construct provides a convenient way to define new macros.

*[Function]* **macro-function** *symbol* &optional *env*

The first argument must be a symbol. If the symbol has a function definition that is a macro definition, whether a local one established in the environment *env* by **macrolet** or a global one established as if by **defmacro**, then the expansion function (a function of two arguments, the macro-call form and an environment) is returned. If the symbol has no function definition, or has a definition as an ordinary function or as a special operator but not as a macro, then **nil** is returned. The function **macroexpand** or **macroexpand-1** is the best way to invoke the expansion function.

It is possible for *both* **macro-function** and **special-operator-p** to be true of a symbol. This is possible because an implementation is permitted to implement any macro also as a special operator for speed. On the other hand, the macro definition must be available for use by programs that understand only the standard special operators listed in table 5.1.

**setf** may be used with **macro-function** to install a macro as a symbol’s global function definition:

```
(setf (macro-function symbol) fn)
```



The value installed must be a function that accepts two arguments, an entire macro call and an environment, and computes the expansion for that call. Performing this operation causes the symbol to have *only* that macro definition as its global function definition; any previous definition, whether as a macro or as a function, is lost. One cannot use **setf** to establish a local macro definition; it is an error to supply a second argument to **macro-function** when using it with **setf**. It is an error to attempt to redefine the name of a special operator.

See also **compiler-macro-function**.

[*Macro*] **defmacro** name lambda-list [[{declaration}\* | doc-string]] {form}\*

**defmacro** is a macro-defining macro that arranges to decompose the macro-call form in an elegant and useful way. **defmacro** has essentially the same syntax as **defun**: *name* is the symbol whose macro definition we are creating, *lambda-list* is similar in form to a lambda-list, and the *forms* constitute the body of the expander function. The **defmacro** construct arranges to install this expander function, as the global macro definition of *name*.

While defining forms normally appear at top level, it is meaningful to place them in non-top-level contexts. Furthermore, **defmacro** should define the expander function within the enclosing lexical environment, not within the global environment.

The body of the expander function defined by **defmacro** is implicitly enclosed in a **block** construct whose name is the same as the *name* of the defined macro. Therefore **return-from** may be used to exit from the function.

The *name* is returned as the value of the **defmacro** form.

If we view the macro call as a list containing a function name and some argument forms, in effect the expander function and the list of (unevaluated) argument forms is given to **apply**. The parameter specifiers are processed as for any lambda-expression, using the macro-call argument forms as the arguments. Then the body forms are evaluated as an implicit **progn**, and the value of the last form is returned as the expansion of the macro call.

If the optional documentation string *doc-string* is present (if not followed by a declaration, it may be present only if at least one *form* is also specified, as it is otherwise taken to be a *form*), then it is attached to the *name* as a documentation string of type **function**; see **documentation**.

These three markers are now allowed in other constructs as well.

- &body** This is identical in function to **&rest**, but it informs certain output-formatting and editing functions that the remainder of the form is treated as a body and should be indented accordingly. (Only one of **&body** or **&rest** may be used.)
- &whole** This is followed by a single variable that is bound to the entire macro-call form; this is the value that the macro definition function receives as its single argument. **&whole** and the following variable should appear first in the lambda-list, before any other parameter or lambda-list keyword.
- &environment** This is followed by a single variable that is bound to an environment representing the lexical environment in which the macro call is to be interpreted. This environment may not be the complete lexical environment; it should be used only with the function **macroexpand** for the sake of any local macro definitions that the **macrolet** construct may have established within that lexical environment. This is useful primarily in the rare cases where a macro definition must explicitly expand any macros in a subform of the macro call before computing its own expansion.

See **lambda-list-keywords**.

X3J13 voted in March 1989 to specify that macro environment objects received with the **&environment** argument of a macro function have only dynamic extent. The consequences are undefined if such objects are referred to outside the dynamic extent of that particular invocation of the macro function. This allows implementations to use somewhat more efficient techniques for representing environment objects.

X3J13 voted in March 1989 to clarify the permitted uses of **&body**, **&whole**, and **&environment**:

- **&body** may appear at any level of a **defmacro** lambda-list.
- **&whole** may appear at any level of a **defmacro** lambda-list. At inner levels a **&whole** variable is bound to that part of the argument that matches the sub-lambda-list in which **&whole** appears. No matter where **&whole** is used, other parameters or lambda-list keywords may follow it.

- **&environment** may occur only at the outermost level of a **defmacro** lambda-list, and it may occur at most once, but it may occur anywhere within that lambda-list, even before an occurrence of **&whole**.

**defmacro**, unlike any other Common Lisp construct that has a lambda-list as part of its syntax, provides an additional facility known as *destructuring*.

See **destructuring-bind**, which provides the destructuring facility separately.

Anywhere in the lambda-list where a parameter name may appear, and where ordinary lambda-list syntax (as described in section 5.2.2) does not otherwise allow a list, a lambda-list may appear in place of the parameter name. When this is done, then the argument form that would match the parameter is treated as a (possibly dotted) list, to be used as an argument forms list for satisfying the parameters in the embedded lambda-list. As an example, one could write the macro definition for **dolist** in this manner:

```
(defmacro dolist ((var listform &optional resultform)
                 &rest body)
  ...)
```

More examples of embedded lambda-lists in **defmacro** are shown below.

Another destructuring rule is that **defmacro** allows any lambda-list (whether top-level or embedded) to be dotted, ending in a parameter name. This situation is treated exactly as if the parameter name that ends the list had appeared preceded by **&rest**. For example, the definition skeleton for **dolist** shown above could instead have been written

```
(defmacro dolist ((var listform &optional resultform)
                 . body)
  ...)
```

If the compiler encounters a **defmacro**, the new macro is added to the compilation environment, and a compiled form of the expansion function is also added to the output file so that the new macro will be operative at run time. If this is not the desired effect, the **defmacro** form can be wrapped in an **eval-when** construct.

It is permissible to use **defmacro** to redefine a macro (for example, to install a corrected version of an incorrect definition), or to redefine a function as a macro. It is an error to attempt to redefine the name of a special form

(see table 5.1) as a macro. See **macrolet**, which establishes macro definitions over a restricted lexical scope.

See also **define-compiler-macro**.

Suppose, for the sake of example, that it were desirable to implement a conditional construct analogous to the Fortran arithmetic IF statement. (This of course requires a certain stretching of the imagination and suspension of disbelief.) The construct should accept four forms: a *test-value*, a *neg-form*, a *zero-form*, and a *pos-form*. One of the last three forms is chosen to be executed according to whether the value of the *test-form* is positive, negative, or zero. Using **defmacro**, a definition for such a construct might look like this:

```
(defmacro arithmetic-if (test neg-form zero-form pos-form)
  (let ((var (gensym)))
    `(let ((,var ,test))
      (cond ((< ,var 0) ,neg-form)
            ((= ,var 0) ,zero-form)
            (t ,pos-form))))))
```

Note the use of the backquote facility in this definition (see section 22.1.3). Also note the use of **gensym** to generate a new variable name. This is necessary to avoid conflict with any variables that might be referred to in *neg-form*, *zero-form*, or *pos-form*.

If the form is executed by the interpreter, it will cause the function definition of the symbol **arithmetic-if** to be a macro associated with which is a two-argument expansion function roughly equivalent to

```
(lambda (calling-form environment)
  (declare (ignore environment))
  (let ((var (gensym)))
    (list 'let
          (list (list 'var (cadr calling-form)))
          (list 'cond
                (list (list '< var '0) (caddr calling-form))
                (list (list '= var '0) (caddr calling-form))
                (list 't (fifth calling-form)))))))
```

The lambda-expression is produced by the **defmacro** declaration. The calls to **list** are the (hypothetical) result of the backquote (‘) macro character and its associated commas. The precise macro expansion function may

depend on the implementation, for example providing some degree of explicit error checking on the number of argument forms in the macro call.

Now, if **eval** encounters

```
(arithmetic-if (- x 4.0)
               (- x)
               (error "Strange zero")
               x)
```

this will be expanded into something like

```
(let ((g407 (- x 4.0)))
      (cond ((< g407 0) (- x))
            ((= g407 0) (error "Strange zero"))
            (t x)))
```

and **eval** tries again on this new form. (It should be clear now that the backquote facility is very useful in writing macros, since the form to be returned is normally a complex list structure, typically consisting of a mostly constant template with a few evaluated forms here and there. The backquote template provides a “picture” of the resulting code, with places to be filled in indicated by preceding commas.)

To expand on this example, stretching credibility to its limit, we might allow the *pos-form* and *zero-form* to be omitted, allowing their values to default to **nil**, in much the same way that the *else* form of a Common Lisp **if** construct may be omitted:

```
(defmacro arithmetic-if (test neg-form
                        &optional zero-form pos-form)
  (let ((var (gensym)))
    ‘(let ((,var ,test))
        (cond ((< ,var 0) ,neg-form)
              ((= ,var 0) ,zero-form)
              (t ,pos-form))))))
```

Then one could write

```
(arithmetic-if (- x 4.0) (print x))
```

which would be expanded into something like

```
(let ((g408 (- x 4.0)))
  (cond ((< g408 0) (print x))
        ((= g408 0) nil)
        (t nil)))
```

The resulting code is correct but rather silly-looking. One might rewrite the macro definition to produce better code when *pos-form* and possibly *zero-form* are omitted, or one might simply rely on the Common Lisp implementation to provide a compiler smart enough to improve the code itself.

Destructuring is a very powerful facility that allows the **defmacro** lambda-list to express the structure of a complicated macro-call syntax. If no lambda-list keywords appear, then the **defmacro** lambda-list is simply a list, nested to some extent, containing parameter names at the leaves. The macro-call form must have the same list structure. For example, consider this macro definition:

```
(defmacro halibut ((mouth eye1 eye2)
                  ((fin1 length1) (fin2 length2))
                  tail)
  ...)
```

Now consider this macro call:

```
(halibut (m (car eyes) (cdr eyes))
         ((f1 (count-scales f1)) (f2 (count-scales f2)))
         my-favorite-tail)
```

This would cause the expansion function to receive the following values for its parameters:

Parameter	Value
mouth	m
eye1	(car eyes)
eye2	(cdr eyes)
fin1	f1
length1	(count-scales f1)
fin2	f2
length2	(count-scales f2)
tail	my-favorite-tail

---

The following macro call would be in error because there would be no argument form to match the parameter **length1**:

```
(halibut (m (car eyes) (cdr eyes))
         ((f1) (f2 (count-scales f2)))
         my-favorite-tail)
```

The following macro call would be in error because a symbol appears in the call where the structure of the lambda-list requires a list.

```
(halibut my-favorite-head
         ((f1 (count-scales f1)) (f2 (count-scales f2)))
         my-favorite-tail)
```

The fact that the value of the variable **my-favorite-head** might happen to be a list is irrelevant here. It is the macro call itself whose structure must match that of the **defmacro** lambda-list.

The use of lambda-list keywords adds even greater flexibility. For example, suppose it is convenient within the expansion function for **halibut** to be able to refer to the list whose components are called **mouth**, **eye1**, and **eye2** as **head**. One may write this:

```
(defmacro halibut ((&whole head mouth eye1 eye2)
                  ((f1 length1) (f2 length2))
                  tail)
```

Now consider the same valid macro call as before:

```
(halibut (m (car eyes) (cdr eyes))
         ((f1 (count-scales f1)) (f2 (count-scales f2)))
         my-favorite-tail)
```

This would cause the expansion function to receive the same values for its parameters and also a value for the parameter **head**:

Parameter	Value
<u>head</u>	<u>(m (car eyes) (cdr eyes))</u>

The stipulation that an embedded lambda-list is permitted only where ordinary lambda-list syntax would permit a parameter name but not a list is made to prevent ambiguity. For example, one may not write

```
(defmacro loser (x &optional (a b &rest c) &rest z)
  ...)
```

because ordinary lambda-list syntax does permit a list following **&optional**; the list **(a b &rest c)** would be interpreted as describing an optional parameter named **a** whose default value is that of the form **b**, with a supplied-p parameter named **&rest** (not legal), and an extraneous symbol **c** in the list (also not legal). An almost correct way to express this is

```
(defmacro loser (x &optional ((a b &rest c)) &rest z)
  ...)
```

The extra set of parentheses removes the ambiguity. However, the definition is now incorrect because a macro call such as **(loser (car pool))** would not provide any argument form for the lambda-list **(a b &rest c)**, and so the default value against which to match the lambda-list would be **nil** because no explicit default value was specified. This is in error because **nil** is an empty list; it does not have forms to satisfy the parameters **a** and **b**. The fully correct definition would be either

```
(defmacro loser (x &optional ((a b &rest c) '(nil nil)) &rest z)
  ...)
```

or

```
(defmacro loser (x &optional ((&optional a b &rest c)) &rest z)
  ...)
```

These differ slightly: the first requires that if the macro call specifies **a** explicitly then it must also specify **b** explicitly, whereas the second does not have this requirement. For example,

```
(loser (car pool) ((+ x 1)))
```

would be a valid call for the second definition but not for the first.

## 8.2 Macro Expansion

The **macroexpand** function is the conventional means for expanding a macro call. A hook is provided for a user function to gain control during the expansion process.



[Function] **macroexpand** *form* &optional *env*

[Function] **macroexpand-1** *form* &optional *env*

If *form* is a macro call, then **macroexpand-1** will expand the macro call *once* and return two values: the expansion and **t**. If *form* is not a macro call, then the two values *form* and **nil** are returned.

A *form* is considered to be a macro call only if it is a cons whose *car* is a symbol that names a macro. The environment *env* is similar to that used within the evaluator (see **evalhook**); it defaults to a null environment. Any local macro definitions established within *env* by **macrolet** will be considered. If only *form* is given as an argument, then the environment is effectively null, and only global macro definitions (as established by **defmacro**) will be considered.

Macro expansion is carried out as follows. Once **macroexpand-1** has determined that a symbol names a macro, it obtains the expansion function for that macro. The value of the variable **\*macroexpand-hook\*** is then called as a function of three arguments: the expansion function, the *form*, and the environment *env*. The value returned from this call is taken to be the expansion of the macro call. The initial value of **\*macroexpand-hook\*** is **funcall**, and the net effect is to invoke the expansion function, giving it *form* and *env* as its two arguments.

X3J13 voted in June 1988 to specify that the value of **\*macroexpand-hook\*** is first coerced to a function before being called as the expansion interface hook. Therefore its value may be a symbol, a lambda-expression, or any object of type **function**.

X3J13 voted in March 1989 to specify that macro environment objects received by a **\*macroexpand-hook\*** function have only dynamic extent. The consequences are undefined if such objects are referred to outside the dynamic extent of that particular invocation of the hook function. This allows implementations to use somewhat more efficient techniques for representing environment objects.

X3J13 voted in June 1989 to clarify that, while **\*macroexpand-hook\*** may be useful for debugging purposes, despite the original design intent there is currently no correct portable way to use it for caching macro expansions.

- Caching by displacement (performing a side effect on the macro-call form) won't work because the same (**eq**) macro-call form may appear in distinct lexical contexts. In addition, the macro-call form may be a read-only constant (see **quote** and also section 24.1).

- Caching by table lookup won't work because such a table would have to be keyed by both the macro-call form and the environment, but X3J13 voted in March 1989 to permit macro environments to have only dynamic extent.
- Caching by storing macro-call forms and expansions within the environment object itself would work, but there are no portable primitives that would allow users to do this.

X3J13 also noted that, although there seems to be no correct portable way to use **\*macroexpand-hook\*** to cache macro expansions, there is no requirement that an implementation call the macro expansion function more than once for a given form and lexical environment.

X3J13 voted in March 1989 to specify that **macroexpand-1** will also expand symbol macros defined by **symbol-macrolet**; therefore a *form* may also be a macro call if it is a symbol. The vote did not address the interaction of this feature with the **\*macroexpand-hook\*** function. An obvious implementation choice is that the hook function is indeed called and given a special expansion function that, when applied to the *form* (a symbol) and *env*, will produce the expansion, just as for an ordinary macro; but this is only my suggestion.

The evaluator expands macro calls as if through the use of **macroexpand-1**; the point is that **eval** also uses **\*macroexpand-hook\***.

**macroexpand** is similar to **macroexpand-1**, but repeatedly expands *form* until it is no longer a macro call. (In effect, **macroexpand** simply calls **macroexpand-1** repeatedly until the second value returned is **nil**.) A second value of **t** or **nil** is returned as for **macroexpand-1**, indicating whether the original *form* was a macro call.

[Variable] **\*macroexpand-hook\***

The value of **\*macroexpand-hook\*** is used as the expansion interface hook by **macroexpand-1**.

### 8.3 Destructuring

[Macro] **destructuring-bind** lambda-list expression {declaration}\* {form}\*

This macro binds the variables specified in *lambda-list* to the corresponding values in the tree structure resulting from evaluating the *expression*, then

executes the *forms* as an implicit **progn**.

A **destructuring-bind** *lambda-list* may contain the lambda-list keywords **&optional**, **&rest**, **&key**, **&allow-other-keys**, and **&aux**; **&body** and **&whole** may also be used as they are in **defmacro**, but **&environment** may *not* be used. Nested and dotted lambda-lists are also permitted as for **defmacro**. The idea is that a **destructuring-bind** *lambda-list* has the same format as inner levels of a **defmacro** lambda-list.

If the result of evaluating the *expression* does not match the destructuring pattern, an error should be signaled.

## 8.4 Compiler Macros

X3J13 voted in June 1989 to add a facility for defining *compiler macros* that take effect only when compiling code, not when interpreting it.

The purpose of this facility is to permit selective source-code transformations only when the compiler is processing the code. When the compiler is about to compile a non-atomic form, it first calls **compiler-macroexpand-1** repeatedly until there is no more expansion (there might not be any to begin with). Then it continues its remaining processing, which may include calling **macroexpand-1** and so on.

The compiler is required to expand compiler macros. It is unspecified whether the interpreter does so. The intention is that only the compiler will do so, but the range of possible “compiled-only” implementation strategies precludes any firm specification.

```
[Macro] define-compiler-macro name lambda-list
      {declaration | doc-string}* {form}*
```

This is just like **defmacro** except the definition is not stored in the symbol function cell of *name* and is not seen by **macroexpand-1**. It is, however, seen by **compiler-macroexpand-1**. As with **defmacro**, the *lambda-list* may include **&environment** and **&whole** and may include destructuring. The definition is global. (There is no provision for defining local compiler macros in the way that **macrolet** defines local macros.)

A top-level call to **define-compiler-macro** in a file being compiled by **compile-file** has an effect on the compilation environment similar to that of a call to **defmacro**, except it is noticed as a compiler macro (see section 24.1).

Note that compiler macro definitions do not appear in information returned by **function-information**; they are global, and their interaction

with other lexical and global definitions can be reconstructed by **compiler-macro-function**. It is up to code-walking programs to decide whether to invoke compiler macro expansion.

X3J13 voted in March 1988 to specify that the body of the expander function defined by **defmacro** is implicitly enclosed in a **block** construct whose name is the same as the *name* of the defined macro; presumably this applies also to **define-compiler-macro**. Therefore **return-from** may be used to exit from the function.

*[Function]* **compiler-macro-function** *name* &optional *env*

The *name* must be a symbol. If it has been defined as a compiler macro, then **compiler-macro-function** returns the macro expansion function; otherwise it returns **nil**. The lexical environment *env* may override any global definition for *name* by defining a local function or local macro (such as by **flet**, **labels**, or **macrolet**) in which case **nil** is returned.

**setf** may be used with **compiler-macro-function** to install a function as the expansion function for the compiler macro *name*, in the same manner as for **macro-function**. Storing the value **nil** removes any existing compiler macro definition. As with **macro-function**, a non-**nil** stored value must be a function of two arguments, the entire macro call and the environment. The second argument to **compiler-macro-function** must be omitted when it is used with **setf**.

*[Function]* **compiler-macroexpand** *form* &optional *env*

*[Function]* **compiler-macroexpand-1** *form* &optional *env*

These are just like **macroexpand** and **macroexpand-1** except that the expander function is obtained as if by a call to **compiler-macro-function** on the *car* of the *form* rather than by a call to **macro-function**. Note that **compiler-macroexpand** performs repeated expansion but **compiler-macroexpand-1** performs at most one expansion. Two values are returned, the expansion (or the original *form*) and a value that is true if any expansion occurred and **nil** otherwise.

There are three cases where no expansion happens:

- There is no compiler macro definition for the *car* of *form*.
- There is such a definition but there is also a **notinline** declaration, either globally or in the lexical environment *env*.

- A global compiler macro definition is shadowed by a local function or macro definition (such as by **flet**, **labels**, or **macrolet**).

Note that if there is no expansion, the original *form* is returned as the first value, and **nil** as the second value.

Any macro expansion performed by the function **compiler-macroexpand** or by the function **compiler-macroexpand-1** is carried out by calling the function that is the value of **\*macroexpand-hook\***.

A compiler macro may decline to provide any expansion merely by returning the original form. This is useful when using the facility to put “compiler optimizers” on various function names. For example, here is a compiler macro that “optimizes” (one would hope) the zero-argument and one-argument cases of a function called **plus**:

```
(define-compiler-macro plus (&whole form &rest args)
  (case (length args)
    (0 0)
    (1 (car args))
    (t form)))
```

## 8.5 Environments

X3J13 voted in June 1989 to add some facilities for obtaining information from environment objects of the kind received as arguments by macro expansion functions, **\*macroexpand-hook\*** functions, and **\*evalhook\*** functions. There is a minimal set of accessors (**variable-information**, **function-information**, and **declaration-information**) and a constructor (**augment-environment**) for environments.

All of the standard declaration specifiers, with the exception of **special**, can be defined fairly easily using **define-declaration**. It also seems to be able to handle most extended declarations.

The function **parse-macro** is provided so that users don’t have to write their own code to destructure macro arguments. This function is not entirely necessary since X3J13 voted in March 1989 to add **destructuring-bind** to the language. However, **parse-macro** is worth having anyway, since any program-analyzing program is going to need to define it, and the implementation isn’t completely trivial even with **destructuring-bind** to build upon.

The function **enclose** allows expander functions to be defined in a non-null lexical environment, as required by the vote of X3J13 in March 1989 . It also provides a mechanism by which a program processing the body of an (**eval-when (:compile-toplevel) ...**) form can execute it in the enclosing environment (see issue ).

In all of these functions the argument named *env* is an environment object. (It is not required that implementations provide a distinguished representation for such objects.) Optional *env* arguments default to **nil**, which represents the local null lexical environment (containing only global definitions and proclamations that are present in the run-time environment). All of these functions should signal an error of type **type-error** if the value of an environment argument is not a syntactic environment object.

The accessor functions **variable-information**, **function-information**, and **declaration-information** retrieve information about declarations that are in effect in the environment. Since implementations are permitted to ignore declarations (except for **special** declarations and **optimize safety** declarations if they ever compile unsafe code), these accessors are required only to return information about declarations that were explicitly added to the environment using **augment-environment**. They might also return information about declarations recognized and added to the environment by the interpreter or the compiler, but that is at the discretion of the implementor. Implementations are also permitted to canonicalize declarations, so the information returned by the accessors might not be identical to the information that was passed to **augment-environment**.

*[Function]* **variable-information** *variable* &optional *env*

This function returns information about the interpretation of the symbol *variable* when it appears as a variable within the lexical environment *env*. Three values are returned.

The first value indicates the type of definition or binding for *variable* in *env*:

**nil** There is no apparent definition or binding for *variable*.

**:special** The *variable* refers to a special variable, either declared or proclaimed.

**:lexical** The *variable* refers to a lexical variable.

**:symbol-macro** The *variable* refers to a **symbol-macrolet** binding.

**:constant** Either the *variable* refers to a named constant defined by **defconstant** or the *variable* is a keyword symbol.

The second value indicates whether there is a local binding of the name. If the name is locally bound, the second value is true; otherwise, the second value is **nil**.

The third value is an a-list containing information about declarations that apply to the apparent binding of the *variable*. The keys in the a-list are symbols that name declaration specifiers, and the format of the corresponding value in the *cdr* of each pair depends on the particular declaration name involved. The standard declaration names that might appear as keys in this a-list are:

**dynamic-extent** A non-**nil** value indicates that the *variable* has been declared **dynamic-extent**. If the value is **nil**, the pair might be omitted.

**ignore** A non-**nil** value indicates that the *variable* has been declared **ignore**. If the value is **nil**, the pair might be omitted.

**type** The value is a type specifier associated with the *variable* by a **type** declaration or an abbreviated declaration such as (**fixnum** *variable*). If no explicit association exists, either by **proclaim** or **declare**, then the type specifier is **t**. It is permissible for implementations to use a type specifier that is equivalent to or a supertype of the one appearing in the original declaration. If the value is **t**, the pair might be omitted.

If an implementation supports additional declaration specifiers that apply to variable bindings, those declaration names might also appear in the a-list. However, the corresponding key must not be a symbol that is external in any package defined in the standard or that is otherwise accessible in the **common-lisp-user** package.

The a-list might contain multiple entries for a given key. The consequences of destructively modifying the list structure of this a-list or its elements (except for values that appear in the a-list as a result of **define-declaration**) are undefined.

Note that the global binding might differ from the local one and can be retrieved by calling **variable-information** with a null lexical environment.

[*Function*] **function-information** *function* &optional *env*

This function returns information about the interpretation of the function-name *function* when it appears in a functional position within lexical environment *env*. Three values are returned.

The first value indicates the type of definition or binding of the function-name which is apparent in *env*:

**nil** There is no apparent definition for *function*.

**:function** The *function* refers to a function.

**:macro** The *function* refers to a macro.

**:special-form** The *function* refers to a special operator.

Some function-names can refer to both a global macro and a global special form. In such a case the macro takes precedence and **:macro** is returned as the first value.

The second value specifies whether the definition is local or global. If local, the second value is true; it is **nil** when the definition is global.

The third value is an a-list containing information about declarations that apply to the apparent binding of the function. The keys in the a-list are symbols that name declaration specifiers, and the format of the corresponding values in the *cdr* of each pair depends on the particular declaration name involved. The standard declaration names that might appear as keys in this a-list are:

**dynamic-extent** A non-**nil** value indicates that the function has been declared **dynamic-extent**. If the value is **nil**, the pair might be omitted.

**inline** The value is one of the symbols **inline**, **notinline**, or **nil** to indicate whether the function-name has been declared **inline**, declared **notinline**, or neither, respectively. If the value is **nil**, the pair might be omitted.

**ftype** The value is the type specifier associated with the function-name in the environment, or the symbol **function** if there is no functional type declaration or proclamation associated with the function-name. This value might not include all the apparent **ftype** declarations for the function-name. It is permissible for implementations to use a type



specifier that is equivalent to or a supertype of the one that appeared in the original declaration. If the value is **function**, the pair might be omitted.

If an implementation supports additional declaration specifiers that apply to function bindings, those declaration names might also appear in the a-list. However, the corresponding key must not be a symbol that is external in any package defined in the standard or that is otherwise accessible in the **common-lisp-user** package.

The a-list might contain multiple entries for a given key. In this case the value associated with the first entry has precedence. The consequences of destructively modifying the list structure of this a-list or its elements (except for values that appear in the a-list as a result of **define-declaration**) are undefined.

Note that the global binding might differ from the local one and can be retrieved by calling **function-information** with a null lexical environment.

*[Function]* **declaration-information** *decl-name* &optional *env*

This function returns information about declarations named by the symbol *decl-name* that are in force in the environment *env*. Only declarations that do not apply to function or variable bindings can be accessed with this function. The format of the information that is returned depends on the *decl-name* involved.

It is required that this function recognize **optimize** and **declaration** as *decl-names*. The values returned for these two cases are as follows:

**optimize** A single value is returned, a list whose entries are of the form (*quality value*), where *quality* is one of the standard optimization qualities (**speed**, **safety**, **compilation-speed**, **space**, **debug**) or some implementation-specific optimization quality, and *value* is an integer in the range 0 to 3 (inclusive). The returned list always contains an entry for each of the standard qualities and for each of the implementation-specific qualities. In the absence of any previous declarations, the associated values are implementation-dependent. The list might contain multiple entries for a quality, in which case the first such entry specifies the current value. The consequences of destructively modifying this list or its elements are undefined.

**declaration** A single value is returned, a list of the declaration names that have been proclaimed as valid through the use of the **declaration** proclamation. The consequences of destructively modifying this list or its elements are undefined.

If an implementation is extended to recognize additional declaration specifiers in **declare** or **proclaim**, it is required that either the **declaration-information** function should recognize those declarations also or the implementation should provide a similar accessor that is specialized for that declaration specifier. If **declaration-information** is used to return the information, the corresponding *decl-name* must not be a symbol that is external in any package defined in the standard or that is otherwise accessible in the **common-lisp-user** package.

[Function] **augment-environment** *env* &key *:variable* *:symbol-macro*  
*:function* *:macro* *:declare*

This function returns a new environment containing the information present in *env* augmented with the information provided by the keyword arguments. It is intended to be used by program analyzers that perform a code walk.

The arguments are supplied as follows.

- :variable** The argument is a list of symbols that will be visible as bound variables in the new environment. Whether each binding is to be interpreted as special or lexical depends on **special** declarations recorded in the environment or provided in the **:declare** argument.
- :symbol-macro** The argument is a list of symbol macro definitions, each of the form (*name definition*); that is, the argument is in the same format as the *cadr* of a **symbol-macrolet** special operator. The new environment will have local symbol-macro bindings of each symbol to the corresponding expansion, so that **macroexpand** will be able to expand them properly. A type declaration in the **:declare** argument that refers to a name in this list implicitly modifies the definition associated with the name. The effect is to wrap a **the** form mentioning the type around the definition.
- :function** The argument is a list of function-names that will be visible as local function bindings in the new environment.

**:macro** The argument is a list of local macro definitions, each of the form (*name definition*). Note that the argument is *not* in the same format as the *cadr* of a **macrolet** special operator. Each *definition* must be a function of two arguments (a form and an environment). The new environment will have local macro bindings of each name to the corresponding expander function, which will be returned by **macro-function** and used by **macroexpand**.

**:declare** The argument is a list of declaration specifiers. Information about these declarations can be retrieved from the resulting environment using **variable-information**, **function-information**, and **declaration-information**.

The consequences of subsequently destructively modifying the list structure of any of the arguments to this function are undefined.

An error is signaled if any of the symbols naming a symbol macro in the **:symbol-macro** argument is also included in the **:variable** argument. An error is signaled if any symbol naming a symbol macro in the **:symbol-macro** argument is also included in a **special** declaration specifier in the **:declare** argument. An error is signaled if any symbol naming a macro in the **:macro** argument is also included in the **:function** argument. The condition type of each of these errors is **program-error**.

The extent of the returned environment is the same as the extent of the argument environment *env*. The result might share structure with *env* but *env* is not modified.

While an environment argument received by an **\*evalhook\*** function is permitted to be used as the environment argument to **augment-environment**, the consequences are undefined if an attempt is made to use the result of **augment-environment** as the environment argument for **evalhook**. The environment returned by **augment-environment** can be used only for syntactic analysis, that is, as an argument to the functions defined in this section and functions such as **macroexpand**.

[*Macro*] **define-declaration** *decl-name* lambda-list {form}\*

This macro defines a handler for the named declaration. It is the mechanism by which **augment-environment** is extended to support additional declaration specifiers. The function defined by this macro will be called with two arguments, a declaration specifier whose *car* is *decl-name* and the *env* argument to **augment-environment**. This function must return two values. The first value must be one of the following keywords:

**:variable** The declaration applies to variable bindings.

**:function** The declaration applies to function bindings.

**:declare** The declaration does not apply to bindings.

If the first value is **:variable** or **:function** then the second value must be a list, the elements of which are lists of the form (*binding-name key value*). If the corresponding information function (either **variable-information** or **function-information**) is applied to the *binding-name* and the augmented environment, the a-list returned by the information function as its third value will contain the *value* under the specified *key*.

If the first value is **:declare**, the second value must be a cons of the form (*key . value*). The function **declaration-information** will return *value* when applied to the *key* and the augmented environment.

**define-declaration** causes *decl-name* to be proclaimed to be a declaration; it is as if its expansion included a call (**proclaim** '(**declaration** *decl-name*)). As is the case with standard declaration specifiers, the evaluator and compiler are permitted, but not required, to add information about declaration specifiers defined with **define-declaration** to the macro expansion and **\*evalhook\*** environments.

The consequences are undefined if *decl-name* is a symbol that can appear as the *car* of any standard declaration specifier.

The consequences are also undefined if the return value from a declaration handler defined with **define-declaration** includes a *key* name that is used by the corresponding accessor to return information about any standard declaration specifier. (For example, if the first return value from the handler is **:variable**, the second return value may not use the symbols **dynamic-extent**, **ignore**, or **type** as *key* names.)

The **define-declaration** macro does not have any special compile-time side effects (see section 24.1).

[Function] **parse-macro** *name lambda-list body &optional env*

This function is used to process a macro definition in the same way as **defmacro** and **macrolet**. It returns a lambda-expression that accepts two arguments, a form and an environment. The *name*, *lambda-list*, and *body* arguments correspond to the parts of a **defmacro** or **macrolet** definition.

The *lambda-list* argument may include **&environment** and **&whole** and may include destructuring. The *name* argument is used to enclose the *body* in an implicit **block** and might also be used for implementation-dependent purposes (such as including the name of the macro in error messages if the form does not match the *lambda-list*).

[Function] **enclose** *lambda-expression* &optional *env*

This function returns an object of type **function** that is equivalent to what would be obtained by evaluating **(function ,*lambda-expression*)** in a syntactic environment *env*. The *lambda-expression* is permitted to reference only the parts of the environment argument *env* that are relevant only to syntactic processing, specifically declarations and the definitions of macros and symbol macros. The consequences are undefined if the *lambda-expression* contains any references to variable or function bindings that are lexically visible in *env*, any **go** to a tag that is lexically visible in *env*, or any **return-from** mentioning a block name that is lexically visible in *env*.



# Chapter 9

## Declarations

Declarations allow you to specify extra information about your program to the Lisp system. With one exception, declarations are completely optional and correct declarations do not affect the meaning of a correct program. The exception is that **special** declarations *do* affect the interpretation of variable bindings and references and so *must* be specified where appropriate. All other declarations are of an advisory nature, and may be used by the Lisp system to aid the programmer by performing extra error checking or producing more efficient compiled code. Declarations are also a good way to add documentation to a program.

Note that it is considered an error for a program to violate a declaration (such as a **type** declaration), but an implementation is not required to detect such errors (though such detection, where feasible, is to be encouraged).

### 9.1 Declaration Syntax

The **declare** construct is used for embedding declarations within executable code. Global declarations and declarations that are computed by a program are established by the **proclaim** construct.

Macro **declaim**, which is guaranteed to be recognized appropriately by the compiler, is often more convenient than **proclaim** for establishing global declarations.

*[Special operator]* **declare** {decl-spec}\*

A **declare** form is known as a *declaration*. Declarations may occur only at the beginning of the bodies of certain special operators; that is, a declaration

may occur only as a statement of such a special operator, and all statements preceding it (if any) must also be **declare** forms (or possibly documentation strings, in some cases). Declarations may occur in lambda-expressions and in the forms listed here.

<b>define-setf-method</b>	<b>labels</b>
<b>defmacro</b>	<b>let</b>
<b>defsetf</b>	<b>let*</b>
<b>deftype</b>	<b>locally</b>
<b>defun</b>	<b>macrolet</b>
<b>do</b>	<b>multiple-value-bind</b>
<b>do*</b>	<b>prog</b>
<b>do-all-symbols</b>	<b>prog*</b>
<b>do-external-symbols</b>	<b>with-input-from-string</b>
<b>do-symbols</b>	<b>with-open-file</b>
<b>dolist</b>	<b>with-open-stream</b>
<b>dotimes</b>	<b>with-output-to-string</b>
<b>flet</b>	<b>with-conditions-restarts</b>
<b>print-unreadable-object</b>	<b>with-standard-io-syntax</b>
<b>defgeneric</b>	<b>generic-function</b>
<b>define-method-combinator</b>	<b>generic-labels</b>
<b>defmethod</b>	
<b>symbol-macrolet</b>	<b>with-slots</b>
<b>with-accessors</b>	

It is an error to attempt to evaluate a declaration. Those special operators that permit declarations to appear perform explicit checks for their presence.

It is permissible for a macro call to expand into a declaration and be recognized as such, provided that the macro call appears where a declaration may legitimately appear. (However, a macro call may not appear in place of a *decl-spec*.)

A declaration is recognized only as such if it appears explicitly, as a list whose *car* is the symbol **declare**, in the body of a relevant special operator. (Note, however, that it is still possible for a macro to expand into a call to the **proclaim** function.)

Each *decl-spec* is a list whose *car* is a symbol specifying the kind of declaration to be made. Declarations may be divided into two classes: those



that concern the bindings of variables, and those that do not. (The **special** declaration is the sole exception: it effectively falls into both classes, as explained below.) Those that concern variable bindings apply only to the bindings made by the form at the head of whose body they appear. For example, in

```
(defun foo (x)
  (declare (type float x)) ...
  (let ((x 'a)) ...)
  ...)
```

the **type** declaration applies only to the outer binding of **x**, and not to the binding made in the **let**.

Declarations that do not concern themselves with variable bindings are pervasive, affecting all code in the body of the special operator. As an example of a pervasive declaration,

```
(defun foo (x y) (declare (notinline floor)) ...)
```

advises that everywhere within the body of **foo** the function **floor** should not be open-coded but called as an out-of-line subroutine.

Some special operators contain pieces of code that, properly speaking, are not part of the body of the special operator. Examples of this are initialization forms that provide values for bound variables, and the result forms of iteration constructs. In all cases such additional code is within the scope of any pervasive declarations appearing before the body of the special operator. Non-pervasive declarations have no effect on such code, except (of course) in those situations where the code is defined to be within the scope of the variables affected by such non-pervasive declarations. For example:

```
(defun few (x &optional (y *print-circle*))
  (declare (special *print-circle*))
  ...)
```

The reference to **\*print-circle\*** in the first line of this example is special because of the declaration in the second line.

```
(defun nonsense (k x z)
  (foo z x) ;First call to foo
  (let ((j (foo k x)) ;Second call to foo
        (x (* k k)))
    (declare (inline foo) (special x z))
    (foo x j z))) ;Third call to foo
```

In this rather nonsensical example, the **inline** declaration applies to the second and third calls to **foo**, but not to the first one. The **special** declaration of **x** causes the **let** form to make a special binding for **x** and causes the reference to **x** in the body of the **let** to be a special reference. The reference to **x** in the second call to **foo** is also a special reference. The reference to **x** in the first call to **foo** is a local reference, not a special one. The **special** declaration of **z** causes the reference to **z** in the call to **foo** to be a special reference; it will not refer to the parameter to **nonsense** named **z**, because that parameter binding has not been declared to be **special**. (The **special** declaration of **z** does not appear in the body of the **defun**, but in an inner construct, and therefore does not affect the binding of the parameter.)

X3J13 voted in January 1989 to replace the rules concerning the scope of declarations occurring at the head of a special operator or lambda-expression:

- The scope of a declaration always includes the body forms, as well as any “stepper” or “result” forms (which are logically part of the body), of the special operator or lambda-expression.
- If the declaration applies to a name binding, then the scope of the declaration also includes the scope of the name binding.

Note that the distinction between pervasive and non-pervasive declarations is eliminated. An important change from the first edition is that “initialization” forms are specifically *not* included as part of the body under the first rule; on the other hand, in many cases initialization forms may fall within the scope of certain declarations under the second rule.

X3J13 also voted in January 1989 to change the interpretation of **type** declarations (see section 9.2).

These changes affect the interpretation of some of the examples from the first edition.

```
(defun foo (x)
  (declare (type float x)) ...
  (let ((x 'a)) ...)
  ...)
```

Under the interpretation approved by X3J13, the type declaration applies to *both* bindings of **x**. More accurately, the type declaration is considered to apply to variable references rather than bindings, and the type declaration refers to every reference in the body of **foo** to a variable named **x**, no matter to what binding it may refer.

```
(defun foo (x y) (declare (notinline floor)) ...)
```

This example of the use of **notinline** stands unchanged, but the following slight extension of it would change:

```
(defun foo (x &optional (y (floor x)))
  (declare (notinline floor)) ...)
```

Under first edition rules, the **notinline** declaration would be considered to apply to the call to **floor** in the initialization form for **y**. Under the interpretation approved by X3J13, the **notinline** would *not* apply to that particular call to **floor**. Instead the user must write something like

```
(defun foo (x &optional (y (locally (declare (notinline floor))
                                   (floor x))))
  (declare (notinline floor)) ...)
```

or perhaps

```
(locally (declare (notinline floor))
  (defun foo (x &optional (y (floor x))) ...))
```

Similarly, the **special** declaration in

```
(defun few (x &optional (y *print-circle*))
  (declare (special *print-circle*))
  ...)
```

is not considered to apply to the reference in the initialization form for **y** in **few**. As for the **nonsense** example,

```
(defun nonsense (k x z)
  (foo z x)           ;First call to foo
  (let ((j (foo k x)) ;Second call to foo
        (x (* k k)))
    (declare (inline foo) (special x z))
    (foo x j z)))    ;Third call to foo
```

under the interpretation approved by X3J13, the **inline** declaration is no longer considered to apply to the second call to **foo**, because it is in an initialization form, which is no longer considered in the scope of the declaration. Similarly, the reference to **x** in that second call to **foo** is no longer

taken to be a special reference, but a local reference to the second parameter of **nonsense**.

**locally** executes the *forms* as an implicit **progn** and returns the value(s) of the last *form*.

*[Special operator]* **locally** {declaration}\* {form}\*

This change was made to accommodate the new compilation model for top-level forms in a file (see section 24.1). When a **locally** operator appears at top level, the forms in its body are processed as top-level forms. This means that one may, for example, meaningfully use **locally** to wrap declarations around a **defun** or **defmacro** form:

```
(locally
  (declare (optimize (safety 3) (space 3) (debug 3) (speed 1)))
  (defun foo (x &optional (y (abs x)) (z (sqrt y)))
    (bar x y z)))
```

Without assurance that this works one must write something cumbersome such as

```
(defun foo (x &optional (y (locally
  (declare (optimize (safety 3)
    (space 3)
    (debug 3)
    (speed 1)))
  (abs x)))
  (z (locally
  (declare (optimize (safety 3)
    (space 3)
    (debug 3)
    (speed 1)))
  (sqrt y))))
  (locally
  (declare (optimize (safety 3) (space 3) (debug 3) (speed 1)))
  (bar x y z)))
```

*[Function]* **proclaim** *decl-spec*

The function **proclaim** takes a *decl-spec* as its argument and puts it into effect globally. (Such a global declaration is called a *proclamation*.) Because

**proclaim** is a function, its argument is always evaluated. This allows a program to compute a declaration and then put it into effect by calling **proclaim**.

Any variable names mentioned are assumed to refer to the dynamic values of the variable. For example, the proclamation

```
(proclaim '(type float tolerance))
```

once executed, specifies that the dynamic value of **tolerance** should always be a floating-point number. Similarly, any function-names mentioned are assumed to refer to the global function definition.

A proclamation constitutes a universal declaration, always in force unless locally shadowed. For example,

```
(proclaim '(inline floor))
```

advises that **floor** should normally be open-coded in-line by the compiler (but in the situation

```
(defun foo (x y) (declare (notinline floor)) ...)
```

it will be compiled out-of-line anyway in the body of **foo**, because of the shadowing local declaration to that effect).

X3J13 voted in January 1989 to clarify that such shadowing does not occur in the case of type declarations. If there is a local type declaration for a special variable and there is also a global proclamation for that same variable, then the value of the variable within the scope of the local declaration must be a member of the intersection of the two declared types. This is consistent with the treatment of nested local type declarations on which X3J13 also voted in January 1989 .

As a special case (so to speak), **proclaim** treats a **special decl-spec** as applying to all bindings as well as to all references of the mentioned variables. *Notice of correction.* In the first edition, this sentence referred to a “**special declaration-form**.” That was incorrect; **proclaim** accepts only a *decl-spec*, not a *declaration-form*.

For example, after

```
(proclaim '(special x))
```

in a function definition such as

(defun example (x) ...)

the parameter **x** will be bound as a special (dynamic) variable rather than as a lexical (static) variable. This facility should be used with caution. The usual way to define a globally special variable is with **defvar** or **defparameter**.

*/Macro* **declaim** {decl-spec}\*

This macro is syntactically like **declare** and semantically like **proclaim**. It is an executable form and may be used anywhere **proclaim** may be called. However, each *decl-spec* is not evaluated.

If a call to this macro appears at top level in a file being processed by the file compiler, the proclamations are also made at compile time. As with other defining macros, it is unspecified whether or not the compile-time side effects of a **declaim** persist after the file has been compiled (see section 24.1).

## 9.2 Declaration Specifiers

Here is a list of valid declaration specifiers for use in **declare**. A construct is said to be “affected” by a declaration if it occurs within the scope of a declaration.

**special** (**special** *var1 var2 ...*) specifies that all of the variables named are to be considered *special*. This specifier affects variable bindings but also pervasively affects references. All variable bindings affected are made to be dynamic bindings, and affected variable references refer to the current dynamic binding rather than to the current local binding. For example:

```
(defun hack (thing *mod*)      ;The binding of the parameter
  (declare (special *mod*))    ; *mod* is visible to hack1,
  (hack1 (car thing)))        ; but not that of thing
```

```
(defun hack1 (arg)
  (declare (special *mod*))    ;Declare references to *mod*
                                ; within hack1 to be special
  (if (atom arg) *mod*
      (cons (hack1 (car arg)) (hack1 (cdr arg)))))
```

Note that it is conventional, though not required, to give special variables names that begin and end with an asterisk.

A **special** declaration does *not* affect bindings pervasively. Inner bindings of a variable implicitly shadow a **special** declaration and must be explicitly re-declared to be special. (However, a **special** proclamation *does* pervasively affect bindings; this exception is made for reasons of convenience and compatibility with MacLisp.) For example:

```
(proclaim '(special x))    ;x is always special

(defun example (x y)
  (declare (special y))
  (let ((y 3) (x (* x 2)))
    (print (+ y (locally (declare (special y)) y)))
    (let ((y 4) (declare (special y)) (foo x))))
```

In the contorted code above, the outermost and innermost bindings of **y** are special and therefore dynamically scoped, but the middle binding is lexically scoped. The two arguments to **+** are different, one being the value, which is **3**, of the lexically bound variable **y**, and the other being the value of the special variable named **y** (a binding of which happens, coincidentally, to lexically surround it at an outer level). All the bindings of **x** and references to **x** are special, however, because of the proclamation that **x** is always **special**.

As a matter of style, use of **special** proclamations should be avoided. The **defvar** and **defparameter** macros are the conventional means for proclaiming special variables in a program.

**type** (**type type var1 var2 ...**) affects only variable bindings and specifies that the variables mentioned will take on values only of the specified type. In particular, values assigned to the variables by **setq**, as well as the initial values of the variables, must be of the specified type.

X3J13 voted in January 1989 to alter the interpretation of type declarations. They are not to be construed to affect “only variable bindings.” The new rule for a declaration of a variable to have a specified type is threefold:

- It is an error if, during the execution of any reference to that variable within the scope of the declaration, the value of the variable is not of the declared type.
- It is an error if, during the execution of a **setq** of that variable within the scope of the declaration, the new value for the variable is not of the declared type.
- It is an error if, at any moment that execution enters the scope of the declaration, the value of the variable is not of the declared type.

One may think of a type declaration (**declare (type face bodoni)**) as implicitly changing every reference to **bodoni** within the scope of the declaration to (**the face bodoni**); changing every expression *exp* assigned to **bodoni** within the scope of the declaration to (**the face exp**); and implicitly executing (**the face bodoni**) every time execution enters the scope of the declaration.

These new rules make type declarations much more useful. Under first edition rules, a type declaration was useless if not associated with a variable binding; declarations such as in

```
(locally
  (declare (type (byte 8) x y))
  (+ x y))
```

at best had no effect and at worst were erroneous, depending on one's interpretation of the first edition. Under the interpretation approved by X3J13, such declarations have "the obvious natural interpretation."

X3J13 noted that if nested type declarations refer to the same variable, then all of them have effect; the value of the variable must be a member of the intersection of the declared types.

Nested type declarations could occur as a result of either macro expansion or carefully crafted code. There are three cases. First, the inner type might be a subtype of the outer one:

```
(defun compare (apples oranges)
  (declare (type number apples oranges)))
```



```

(cond ((typep apples 'fixnum)
      ;; The programmer happens to know that, thanks to
      ;; constraints imposed by the caller, if APPLES
      ;; is a fixnum, then ORANGES will be also, and
      ;; therefore wishes to avoid the unnecessary cost
      ;; of checking ORANGES. Nevertheless the compiler
      ;; should be informed to allow it to optimize code.
      (locally (declare (type fixnum apples oranges)))
        ;; Maybe the compiler could have figured
        ;; out by flow analysis that APPLES must
        ;; be a fixnum here, but it doesn't hurt
        ;; to say it explicitly.
      (< apples oranges)))
  ((or (complex apples)
       (complex oranges))
   (error "Not yet implemented. Sorry.")
  ...))

```

This is the case most likely to arise in code written completely by hand.

Second, the outer type might be a subtype of the inner one. In this case the inner declaration has no additional practical effect, but it is harmless. This is likely to occur if code declares a variable to be of a very specific type and then passes it to a macro that then declares it to be of a less specific type.

Third, the inner and outer declarations might be for types that overlap, neither being a subtype of the other. This is likely to occur only as a result of macro expansion. For example, user code might declare a variable to be of type **integer**, and a macro might later declare it to be of type (**or fixnum package**); in this case a compiler could intersect the two types to determine that in this instance the variable may hold only fixnums.

The reader should note that the following code fragment is, perhaps astonishingly, *not in error* under the interpretation approved by X3J13:

```
(let ((james .007)
      (maxwell 86))
  (flet ((spy-swap ()
         (rotatef james maxwell)))
    (locally (declare (integer maxwell))
      (spy-swap)
      (view-movie "The Sound of Music")
      (spy-swap)
      maxwell)))
⇒ 86 (after a couple of hours of Julie Andrews)
```

The variable **maxwell** is declared to be an integer over the *scope* of the type declaration, not over its *extent*. Indeed **maxwell** takes on the non-integer value **.007** while the Trapp family make their escape, but because no reference to **maxwell** within the scope of the declaration ever produces a non-integer value, the code is correct.

Now the assignment to **maxwell** during the first call to **spy-swap**, and the reference to **maxwell** during the second call, *do* involve non-integer values, but they occur within the body of **spy-swap**, which is *not* in the scope of the type declaration! One could put the declaration in a different place so as to include **spy-swap** in the scope:

```
(let ((james .007)
      (maxwell 86))
  (locally (declare (integer maxwell))
    (flet ((spy-swap ()
           (rotatef james maxwell)))
      (spy-swap) ;Bug!
      (view-movie "The Sound of Music")
      (spy-swap)
      maxwell)))
```

and then the code is indeed in error.

X3J13 also voted in January 1989 to alter the meaning of the **function** type specifier when used in **type** declarations (see section 4.5).

*type* (*type var1 var2 ...*) is an abbreviation for (**type** *type var1 var2 ...*), provided that *type* is one of the symbols appearing in table 4.1.

Observe that this covers the particularly common case of declaring numeric variables:

```
(declare (single-float mass dx dy dz)
         (double-float acceleration sum))
```

In many implementations there is also some advantage to declaring variables to have certain specialized vector types such as **base-string**.

**f<sub>type</sub>** (**f<sub>type</sub>** *type* *function-name-1* *function-name-2* ...) specifies that the named functions will be of the functional type *type*, an example of which follows. For example:

```
(declare (ftype (function (integer list) t) nth)
         (ftype (function (number) float) sin cos))
```

Note that rules of lexical scoping are observed; if one of the functions mentioned has a lexically apparent local definition (as made by **flet** or **labels**), then the declaration applies to that local definition and not to the global function definition.

X3J13 voted in March 1989 to extend **f<sub>type</sub>** declaration specifiers to accept any function-name (a symbol or a list whose *car* is **setf**—see section 7.1). Thus one may write

```
(declaim (ftype (function (list) t) (setf cadr)))
```

to indicate the type of the **setf** expansion function for **cadr**.

X3J13 voted in January 1989 to alter the meaning of the **function** type specifier when used in **f<sub>type</sub>** declarations (see section 4.5).

X3J13 voted in January 1989 to remove this interpretation of the **function** declaration specifier from the language. Instead, a declaration specifier

```
(function var1 var2 ...)
```

is to be treated simply as an abbreviation for

```
(type function var1 var2 ...)
```

just as for all other symbols appearing in table 4.1.

X3J13 noted that although **function** appears in table 4.1, the first edition also discussed it explicitly, with a different meaning, without noting whether the differing interpretation was to replace or augment the interpretation regarding table 4.1. Unfortunately there is an ambiguous case: the declaration

```
(declare (function foo nil string))
```

can be construed to abbreviate either

```
(declare (ftype (function () string) foo))
```

or

```
(declare (type function foo nil string))
```

The latter could perhaps be rejected on semantic grounds: it would be an error to declare **nil**, a constant, to be of type **function**. In any case, X3J13 determined that the ice was too thin here; the possibility of confusion is not worth the convenience of an abbreviation for **ftype** declarations. The change also makes the language more consistent.

**inline** (*inline function1 function2 ...*) specifies that it is desirable for the compiler to open-code calls to the specified functions; that is, the code for a specified function should be integrated into the calling routine, appearing in-line in place of a procedure call. This may achieve extra speed at the expense of debuggability (calls to functions compiled in-line cannot be traced, for example). This declaration is pervasive. Remember that a compiler is free to ignore this declaration.

Note that rules of lexical scoping are observed; if one of the functions mentioned has a lexically apparent local definition (as established by **flet** or **labels**), then the declaration applies to that local definition and not to the global function definition.

X3J13 voted in October 1988 to clarify that during compilation the **inline** declaration specifier serves two distinct purposes: it indicates not only that affected calls to the specified functions should be expanded in-line, but also that affected definitions of the specified functions must be recorded for possible use in performing such expansions.

Looking at it the other way, the compiler is not required to save function definitions against the possibility of future expansions unless the functions have already been proclaimed to be **inline**. If a function is proclaimed (or declaimed) **inline** before some call to that function but the current definition of that function was established before the proclamation was processed, it is implementation-dependent whether that call will be expanded in-line. (Of course, it is implementation-dependent anyway, because a compiler is always free to ignore **inline** declaration specifiers. However, the intent of the committee is clear: for best results, the user is advised to put any **inline** proclamation of a function before any definition of or call to that function.)

Consider these examples:

```
(defun huey (x) (+ x 100))           ;Compiler need not remember this
(declaim (inline huey dewey))
(defun dewey (y) (huey (sqrt y)))   ;Call to huey unlikely to be expanded
(defun louie (z) (dewey (/ z)))     ;Call to dewey likely to be expanded
```

X3J13 voted in March 1989 to extend **inline** declaration specifiers to accept any function-name (a symbol or a list whose *car* is **setf**—see section 7.1). Thus one may write (**declare (inline (setf cadr))**) to indicate that the **setf** expansion function for **cadr** should be compiled in-line.

**notinline** (**notinline** *function1 function2 ...*) specifies that it is *undesirable* to compile the specified functions in-line. This declaration is pervasive. A compiler is *not* free to ignore this declaration.

Note that rules of lexical scoping are observed; if one of the functions mentioned has a lexically apparent local definition (as made by **flet** or **labels**), then the declaration applies to that local definition and not to the global function definition.

X3J13 voted in March 1989 to extend **notinline** declaration specifiers to accept any function-name (a symbol or a list whose *car* is **setf**—see section 7.1). Thus one may write (**declare (notinline (setf cadr))**) to indicate that the **setf** expansion function for **cadr** should not be compiled in-line.

X3J13 voted in January 1989 to clarify that the proper way to define a function **gnards** that is not **inline** by default, but for which a local declaration (**declare (inline gnards)**) has half a chance of actually compiling **gnards** in-line, is as follows:

```
(declaim (inline gnards))
```

```
(defun gnards ...)
```

```
(declaim (notinline gnards))
```

The point is that the first declamation informs the compiler that the definition of **gnards** may be needed later for in-line expansion, and the second declamation prevents any expansions unless and until it is overridden.

While an implementation is never required to perform in-line expansion, many implementations that do support such expansion will not process **inline** requests successfully unless definitions are written with these proclamations in the manner shown above.

**ignore (ignore *var1 var2 ... varn*)** affects only variable bindings and specifies that the bindings of the specified variables are never used. It is desirable for a compiler to issue a warning if a variable so declared is ever referred to or is also declared special, or if a variable is lexical, never referred to, and not declared to be ignored.

**optimize (optimize (*quality1 value1*) (*quality2 value2*)...)** advises the compiler that each *quality* should be given attention according to the specified corresponding *value*. A quality is a symbol; standard qualities include **speed** (of the object code), **space** (both code size and run-time space), **safety** (run-time error checking), and **compilation-speed** (speed of the compilation process). X3J13 voted in October 1988 to add the standard quality **debug** (ease of debugging). Other qualities may be recognized by particular implementations. A *value* should be a non-negative integer, normally in the range **0** to **3**. The value **0** means that the quality is totally unimportant, and **3** that the quality is extremely important; **1** and **2** are intermediate values, with **1** the “normal” or “usual” value. One may abbreviate (**quality 3**) to simply *quality*. This declaration is pervasive. For example:

```
(defun often-used-subroutine (x y)
  (declare (optimize (safety 2)))
  (error-check x y)
  (hairy-setup x)
  (do ((i 0 (+ i 1))
      (z x (cdr z)))
      ((null z) i)
    ;; This inner loop really needs to burn.
    (declare (optimize speed))
    (declare (fixnum i))
  )))
```

**declaration** (**declaration** *name1 name2 ...*) advises the compiler that each *name<sub>j</sub>* is a valid but non-standard declaration name. The purpose of this is to tell one compiler not to issue warnings for declarations meant for another compiler or other program processor.

The **declaration** declaration specifier may be used with **declaim** as well as **proclaim**. The preceding examples would be better written using **declaim**, to ensure that the compiler will process them properly.

```
(declaim (declaration author
         target-language
         target-machine))
```

```
(declaim (target-language ada)
         (target-machine IBM-650))
```

```
(defun strangep (x)
  (declare (author "Harry Tweeker"))
  (member x '(strange weird odd peculiar)))
```

**dynamic-extent** (**dynamic-extent** *item1 item2 ... item<sub>n</sub>*) declares that certain variables or function-names refer to data objects whose extents may be regarded as dynamic; that is, the declaration may be construed as a guarantee on the part of the programmer that the program will behave correctly even if the data objects have only dynamic extent rather than the usual indefinite extent.

Each *item* may be either a variable name or **(function *f*)** where *f* is a function-name (see section 7.1). (Of course, **(function *f*)** may be abbreviated in the usual way as **#'f**.)

It is permissible for an implementation simply to ignore this declaration. In implementations that do not ignore it, the compiler (or interpreter) is free to make whatever optimizations are appropriate given this information; the most common optimization is to stack-allocate the initial value of the object. The data types that can be optimized in this manner may vary from implementation to implementation.

The meaning of this declaration can be stated more precisely. We say that object *x* is an *otherwise inaccessible part* of *y* if and only if making *y* inaccessible would make *x* inaccessible. (Note that every object is an otherwise inaccessible part of itself.) Now suppose that construct *c* contains a **dynamic-extent** declaration for variable (or function) *v* (which need not be bound by *c*). Consider the values  $w_1, \dots, w_n$  taken on by *v* during the course of some execution of *c*. The declaration asserts that if some object *x* is an otherwise inaccessible part of  $w_j$  whenever  $w_j$  becomes the value of *v*, then just after execution of *c* terminates *x* will be either inaccessible or still an otherwise inaccessible part of the value of *v*. If this assertion is ever violated, the consequences are undefined.

In some implementations, it is possible to allocate data structures in a way that will make them easier to reclaim than by general-purpose garbage collection (for example, on the stack or in some temporary area). The **dynamic-extent** declaration is designed to give the implementation the information necessary to exploit such techniques.

For example, in the code fragment

```
(let ((x (list 'a1 'b1 'c1))
      (y (cons 'a2 (cons 'b2 (cons 'c2 'd2)))))
  (declare (dynamic-extent x y))
  ...)
```

it is not difficult to prove that the otherwise inaccessible parts of **x** include the three conses constructed by **list**, and that the otherwise inaccessible parts of **y** include three other conses manufactured by the



three calls to **cons**. Given the presence of the **dynamic-extent** declaration, a compiler would be justified in stack-allocating these six conses and reclaiming their storage on exit from the **let** form.

Since stack allocation of the initial value entails knowing at the object's creation time that the object can be stack-allocated, it is not generally useful to declare **dynamic-extent** for variables that have no lexically apparent initial value. For example,

```
(defun f ()
  (let ((x (list 1 2 3)))
    (declare (dynamic-extent x))
    ...))
```

would permit a compiler to stack-allocate the list in **x**. However,

```
(defun g (x) (declare (dynamic-extent x)) ...)
(defun f () (g (list 1 2 3)))
```

could not typically permit a similar optimization in **f** because of the possibility of later redefinition of **g**. Only an implementation careful enough to recompile **f** if the definition of **g** were to change incompatibly could stack-allocate the list argument to **g** in **f**.

Other interesting cases are

```
(declaim (inline g))
(defun g (x) (declare (dynamic-extent x)) ...)
(defun f () (g (list 1 2 3)))
```

and

```
(defun f ()
  (flet ((g (x) (declare (dynamic-extent x)) ...))
    (g (list 1 2 3))))
```

In each case some compilers might realize the optimization is possible and others might not.

An interesting variant of this is the so-called *stack-allocated rest list*, which can be achieved (in implementations supporting the optimization) by

```
(defun f (&rest x)
  (declare (dynamic-extent x))
  ...)
```

Note here that although the initial value of **x** is not explicitly present, nevertheless in the usual implementation strategy the function **f** is responsible for assembling the list for **x** from the passed arguments, so the **f** function can be optimized by a compiler to construct a stack-allocated list instead of a heap-allocated list.

Some Common Lisp functions take other functions as arguments; frequently the argument function is a so-called *downward funarg*, that is, a functional argument that is passed only downward and whose extent may therefore be dynamic.

```
(flet ((gd (x) (atan (sinh x))))
  (declare (dynamic-extent #'gd)) ;mapcar won't hang on to gd
  (mapcar #'gd my-list-of-numbers))
```

The following three examples are in error, since in each case the value of **x** is used outside of its extent.

```
(length (let ((x (list 1 2 3)))
  (declare (dynamic-extent x))
  x)) ;Wrong
```

The preceding code is obviously incorrect, because the cons cells making up the list in **x** might be deallocated (thanks to the declaration) before **length** is called.

```
(length (list (let ((x (list 1 2 3)))
  (declare (dynamic-extent x))
  x))) ;Wrong
```

In this second case it is less obvious that the code is incorrect, because one might argue that the cons cells making up the list in **x** have no effect on the result to be computed by **length**. Nevertheless the code briefly violates the assertion implied by the declaration and is therefore

incorrect. (It is not difficult to imagine a perfectly sensible implementation of a garbage collector that might become confused by a cons cell containing a dangling pointer to a list that was once stack-allocated but then deallocated.)

```
(progn (let ((x (list 1 2 3)))
        (declare (dynamic-extent x))
        x)
        ;Wrong
(print "Six dollars is your change have a nice day NEXT!"))
```

In this third case it is even less obvious that the code is incorrect, because the value of **x** returned from the **let** construct is discarded right away by the **progn**. Indeed it is, but “right away” isn’t fast enough. The code briefly violates the assertion implied by the declaration and is therefore incorrect. (If the code is being interpreted, the interpreter might hang on to the value returned by the **let** for some time before it is eventually discarded.)

Here is one last example, one that has little practical import but is theoretically quite instructive.

```
(dotimes (j 10)
  (declare (dynamic-extent j))
  (setq foo 3)           ;Correct
  (setq foo j)          ;Erroneous—but why? (see text))
```

Since **j** is an integer by the definition of **dotimes**, but **eq** and **eql** are not necessarily equivalent for integers, what are the otherwise inaccessible parts of **j**, which this declaration requires the body of the **dotimes** not to “save”? If the value of **j** is **3**, and the body does **(setq foo 3)**, is that an error? The answer is no, but the interesting thing is that it depends on the implementation-dependent behavior of **eq** on numbers. In an implementation where **eq** and **eql** are equivalent for **3**, then **3** is not an otherwise inaccessible part because **(eq j (+ 2 1))** is true, and therefore there is another way to access the object besides going through **j**. On the other hand, in an implementation where **eq** and **eql** are not equivalent for **3**, then the particular **3** that is the value of **j** is an otherwise inaccessible part, but any other **3** is not. Thus **(setq foo 3)** is valid but **(setq foo j)** is erroneous. Since **(setq foo j)**

is erroneous in some implementations, it is erroneous in all portable programs, but some other implementations may not be able to detect the error. (If this conclusion seems strange, it may help to replace **3** everywhere in the preceding argument with some obvious bignum such as **375374638837424898243** and to replace **10** with some even larger bignum.)

The **dynamic-extent** declaration should be used with great care. It makes possible great performance improvements in some situations, but if the user misdeclares something and consequently the implementation returns a pointer into the stack (or stores it in the heap), an undefined situation may result and the integrity of the Lisp storage mechanism may be compromised. Debugging these situations may be tricky. Users who have asked for this feature have indicated a willingness to deal with such problems; nevertheless, I do not encourage casual users to use this declaration.

An implementation is free to support other (implementation-dependent) declaration specifiers as well. On the other hand, a Common Lisp compiler is free to ignore entire classes of declaration specifiers (for example, implementation-dependent declaration specifiers not supported by that compiler's implementation), except for the **declaration** declaration specifier. Compiler implementors are encouraged, however, to program the compiler to issue by default a warning if the compiler finds a declaration specifier of a kind it never uses. Such a warning is required in any case if a declaration specifier is not one of those defined above and has not been declared in a **declaration** declaration.

### 9.3 Type Declaration for Forms

Frequently it is useful to declare that the value produced by the evaluation of some form will be of a particular type. Using **declare** one can declare the type of the value held by a bound variable, but there is no easy way to declare the type of the value of an unnamed form. For this purpose the **the** special operator is defined; (**the type form**) means that the value of *form* is declared to be of type *type*.

*[Special operator]* **the** value-type form

The *form* is evaluated; whatever it produces is returned by the **the** form.

In addition, it is an error if what is produced by the *form* does not conform to the data type specified by *value-type* (which is not evaluated). (A given implementation may or may not actually check for this error. Implementations are encouraged to make an explicit error check when running interpretively.) In effect, this declares that the user undertakes to guarantee that the values of the form will always be of the specified type. For example:

```
(the string (copy-seq x))      ;The result will be a string
(the integer (+ x 3))         ;The result of + will be an integer
(+ (the integer x) 3)        ;The value of x will be an integer
(the (complex rational) (* z 3))
(the (unsigned-byte 8) (logand x mask))
```

The **values** type specifier may be used to indicate the types of multiple values:

```
(the (values integer integer) (floor x y))
(the (values string t)
    (gethash the-key the-string-table))
```

*value-type* may be any valid type specifier whatsoever. The point is that a type specifier need not be one suitable for discrimination but only for declaration.

In the case that the *form* produces exactly one value and *value-type* is not a **values** type specifier, one may describe a **the** form as being entirely equivalent to

```
(let ((#1=#:temp form)) (declare (type value-type #1#)) #1#)
```

A more elaborate expression could be written to describe the case where *value-type* is a **values** type specifier.



# Chapter 10

## Symbols

A Lisp symbol is a data object that has three user-visible components:

- The *property list* is a list that effectively provides each symbol with many modifiable named components.
- The *print name* must be a string, which is the sequence of characters used to identify the symbol. Symbols are of great use because a symbol can be located once its name is given (typed, say, on a keyboard). One may ordinarily not alter a symbol's print name.

It is an error to alter a print name.

- The *package cell* must refer to a package object. A package is a data structure used to locate a symbol once given the symbol's name. A symbol is uniquely identified by its name only when considered relative to a package. A symbol may appear in many packages, but it can be *owned* by at most one package. The package cell points to the owner, if any. Package cells are discussed along with packages in chapter 11.

A symbol may actually have other components for use by the implementation. One of the more important uses of symbols is as names for program variables; it is frequently desirable for the implementor to use certain components of a symbol to implement the semantics of variables. See **symbol-value** and **symbol-function**. However, there are several possible implementation strategies, and so such possible components are not described here.

## 10.1 The Property List

Since its inception, Lisp has associated with each symbol a kind of tabular data structure called a *property list* (*plist* for short). A property list contains zero or more entries; each entry associates with a key (called the *indicator*), which is typically a symbol, an arbitrary Lisp object (called the *value* or, sometimes, the *property*). There are no duplications among the indicators; a property list may only have one property at a time with a given name. In this way, given a symbol and an indicator (another symbol), an associated value can be retrieved.

A property list is very similar in purpose to an association list. The difference is that a property list is an object with a unique identity; the operations for adding and removing property-list entries are destructive operations that alter the property list rather than making a new one. Association lists, on the other hand, are normally augmented non-destructively (without side effects) by adding new entries to the front (see **acons** and **pairlis**).

A property list is implemented as a memory cell containing a list with an even number (possibly zero) of elements. (Usually this memory cell is the property-list cell of a symbol, but any memory cell acceptable to **setf** can be used if **getf** and **remf** are used.) Each pair of elements in the list constitutes an entry; the first item is the indicator, and the second is the value. Because property-list functions are given the symbol and not the list itself, modifications to the property list can be recorded by storing back into the property-list cell of the symbol.

When a symbol is created, its property list is initially empty. Properties are created by using **get** within a **setf** form.

Common Lisp does not use a symbol's property list as extensively as earlier Lisp implementations did. Less-used data, such as compiler, debugging, and documentation information, is kept on property lists in Common Lisp.

*[Function]* **get** *symbol indicator &optional default*

**get** searches the property list of *symbol* for an indicator **eq** to *indicator*. The first argument must be a symbol. If one is found, then the corresponding value is returned; otherwise *default* is returned.

If *default* is not specified, then **nil** is used for *default*.

Note that there is no way to distinguish an absent property from one whose value is *default*.



```
(get x y) ≡ (getf (symbol-plist x) y)
```

Suppose that the property list of **foo** is (**bar t baz 3 hunoz "Huh?"**). Then, for example:

```
(get 'foo 'baz) ⇒ 3
(get 'foo 'hunoz) ⇒ "Huh?"
(get 'foo 'zoo) ⇒ nil
```

**setf** may be used with **get** to create a new property-value pair, possibly replacing an old pair with the same property name. For example:

```
(get 'clyde 'species) ⇒ nil
(setf (get 'clyde 'species) 'elephant) ⇒ elephant
and now (get 'clyde 'species) ⇒ elephant
```

The *default* argument may be specified to **get** in this context; it is ignored by **setf** but may be useful in such macros as **push** that are related to **setf**:

```
(push item (get sym 'token-stack '(initial-item)))
```

means approximately the same as

```
(setf (get sym 'token-stack '(initial-item))
      (cons item (get sym 'token-stack '(initial-item))))
```

which in turn would be treated as simply

```
(setf (get sym 'token-stack)
      (cons item (get sym 'token-stack '(initial-item))))
```

X3J13 voted in March 1989 to clarify the permissible side effects of certain operations; (**setf (get *symbol indicator* *newvalue*)**) is required to behave exactly the same as (**setf (getf (symbol-plist *symbol*) *indicator*) *newvalue***).

[Function] **remprop** *symbol indicator*

This removes from *symbol* the property with an indicator **eq** to *indicator*. The property indicator and the corresponding value are removed by destructively splicing the property list. It returns **nil** if no such property was found, or non-**nil** if a property was found.

`(remprop x y) ≡ (remf (symbol-plist x) y)`

For example, if the property list of **foo** is initially

`(color blue height 6.3 near-to bar)`

then the call

`(remprop 'foo 'height)`

returns a non-**nil** value after altering **foo**'s property list to be

`(color blue near-to bar)`

X3J13 voted in March 1989 to clarify the permissible side effects of certain operations; **(remprop *symbol indicator*)** is required to behave exactly the same as **(remf (symbol-plist *symbol*) *indicator*)**.

*[Function]* **symbol-plist** *symbol*

This returns the list that contains the property pairs of *symbol*; the contents of the property-list cell are extracted and returned.

Note that using **get** on the result of **symbol-plist** does *not* work. One must give the symbol itself to **get** or else use the function **getf**.

**setf** may be used with **symbol-plist** to destructively replace the entire property list of a symbol. This is a relatively dangerous operation, as it may destroy important information that the implementation may happen to store in property lists. Also, care must be taken that the new property list is in fact a list of even length.

*[Function]* **getf** *place indicator &optional default*

**getf** searches the property list stored in *place* for an indicator **eq** to *indicator*. If one is found, then the corresponding value is returned; otherwise *default* is returned. If *default* is not specified, then **nil** is used for *default*. Note that there is no way to distinguish an absent property from one whose value is *default*. Often *place* is computed from a generalized variable acceptable to **setf**.

**setf** may be used with **getf**, in which case the *place* must indeed be acceptable as a *place* to **setf**. The effect is to add a new property-value pair, or update an existing pair, in the property list kept in the *place*. The *default*

argument may be specified to **getf** in this context; it is ignored by **setf** but may be useful in such macros as **push** that are related to **setf**. See the description of **get** for an example of this.

X3J13 voted in March 1989 to clarify the permissible side effects of certain operations; **setf** used with **getf** is permitted to perform a **setf** on the *place* or on any part, *car* or *cdr*, of the top-level list structure held by that *place*.

X3J13 voted in March 1988 to clarify order of evaluation (see section 7.2).

[Macro] **remf** *place* indicator

This removes from the property list stored in *place* the property with an indicator **eq** to *indicator*. The property indicator and the corresponding value are removed by destructively splicing the property list. **remf** returns **nil** if no such property was found, or some non-**nil** value if a property was found. The form *place* may be any generalized variable acceptable to **setf**. See **remprop**.

X3J13 voted in March 1989 to clarify the permissible side effects of certain operations; **remf** is permitted to perform a **setf** on the *place* or on any part, *car* or *cdr*, of the top-level list structure held by that *place*.

X3J13 voted in March 1988 to clarify order of evaluation (see section 7.2).

[Function] **get-properties** *place* *indicator-list*

**get-properties** is like **getf**, except that the second argument is a list of indicators. **get-properties** searches the property list stored in *place* for any of the indicators in *indicator-list* until it finds the first property in the property list whose indicator is one of the elements of *indicator-list*. Normally *place* is computed from a generalized variable acceptable to **setf**.

**get-properties** returns three values. If any property was found, then the first two values are the indicator and value for the first property whose indicator was in *indicator-list*, and the third is that tail of the property list whose *car* was the indicator (and whose *cadr* is therefore the value). If no property was found, all three values are **nil**. Thus the third value serves as a flag indicating success or failure and also allows the search to be restarted, if desired, after the property was found.

## 10.2 The Print Name

Every symbol has an associated string called the *print name*. This string is used as the external representation of the symbol: if the characters in the string are typed in to **read** (with suitable escape conventions for certain characters), it is interpreted as a reference to that symbol (if it is interned); and if the symbol is printed, **print** types out the print name. For more information, see the sections on the *reader* (section 22.1.1) and *printer* (section 22.1.6).

[Function] **symbol-name** *sym*

This returns the print name of the symbol *sym*. For example:

(symbol-name 'xyz) ⇒ "XYZ"

It is an extremely bad idea to modify a string being used as the print name of a symbol. Such a modification may tremendously confuse the function **read** and the package system.

It is an error to modify a string being used as the print name of a symbol.

## 10.3 Creating Symbols

Symbols can be used in two rather different ways. An *interned* symbol is one that is indexed by its print name in a catalogue called a *package*. A request to locate a symbol with that print name results in the same (**eq**) symbol. Every time input is read with the function **read**, and that print name appears, it is read as the same symbol. This property of symbols makes them appropriate to use as names for things and as hooks on which to hang permanent data objects (using the property list, for example).

Interned symbols are normally created automatically; the first time something (such as the function **read**) asks the package system for a symbol with a given print name, that symbol is automatically created. The function used to ask for an interned symbol is **intern**, or one of the functions related to **intern**.

Although interned symbols are the most commonly used, they will not be discussed further here. For more information, see chapter 11.

An *uninterned* symbol is a symbol used simply as a data object, with no special cataloguing (it belongs to no particular package). An uninterned

symbol is printed as `#:` followed by its print name. The following are some functions for creating uninterned symbols.

*[Function]* **make-symbol** *print-name*

**(make-symbol *print-name*)** creates a new uninterned symbol, whose print name is the string *print-name*. The value and function bindings will be unbound and the property list will be empty.

The string actually installed in the symbol's print-name component may be the given string *print-name* or may be a copy of it, at the implementation's discretion. The user should not assume that **(symbol-name (make-symbol *x*))** is **eq** to *x*, but also should not alter a string once it has been given as an argument to **make-symbol**.

---

**Implementation note:** An implementation might choose, for example, to copy the string to some read-only area, in the expectation that it will never be altered.

---

*[Function]* **copy-symbol** *sym* &optional *copy-props*

This returns a new uninterned symbol with the same print name as *sym*.

X3J13 voted in March 1989 that the print name of the new symbol is required to be the same only in the sense of **string=**; in other words, an implementation is permitted (but not required) to make a copy of the print name. User programs should not assume that the print names of the old and new symbols will be **eq**, although they may happen to be **eq** in some implementations.

If *copy-props* is non-**nil**, then the initial value and function definition of the new symbol will be the same as those of *sym*, and the property list of the new symbol will be a copy of *sym*'s.

X3J13 voted in March 1989 to clarify that only the top-level conses of the property list are copied; it is as if **(copy-list (symbol-plist *sym*))** were used as the property list of the new symbol.

If *copy-props* is **nil** (the default), then the new symbol will be unbound and undefined, and its property list will be empty.

*[Function]* **gensym** &optional *x*

**gensym** invents a print name and creates a new symbol with that print name. It returns the new, uninterned symbol.

The invented print name consists of a prefix (which defaults to **G**), followed by the decimal representation of a number.

**gensym** is usually used to create a symbol that should not normally be seen by the user and whose print name is unimportant except to allow easy distinction by eye between two such symbols. The optional argument is rarely supplied. The name comes from “generate symbol,” and the symbols produced by it are often called “gensyms.”

If it is desirable for the generated symbols to be interned, and yet guaranteed to be symbols distinct from all others, then the function **gentemp** may be more appropriate to use.

X3J13 voted in March 1989 to alter the specification of **gensym** so that supplying an optional argument (whether a string or a number) does *not* alter the internal state maintained by **gensym**. Instead, the internal counter is made explicitly available as a variable named **\*gensym-counter\***.

If a string argument is given to **gensym**, that string is used as the prefix; otherwise “**G**” is used. If a number is provided, its decimal representation is used, but the internal counter is unaffected. X3J13 deprecates the use of a number as an argument.

*[Variable]* **\*gensym-counter\***

**\*gensym-counter\*** holds the state of the **gensym** counter; that is, **gensym** uses the decimal representation of its value as part of the generated name and then increments its value.

The initial value of this variable is implementation-dependent but will be a non-negative integer.

The user may assign to or bind this variable at any time, but its value must always be a non-negative integer.

*[Function]* **gentemp** &optional *prefix package*

**gentemp**, like **gensym**, creates and returns a new symbol. **gentemp** differs from **gensym** in that it interns the symbol (see **intern**) in the *package* (which defaults to the current package; see **\*package\***). **gentemp** guarantees the symbol will be a new one not already existing in the package. It does this by using a counter as **gensym** does, but if the generated symbol is not really new, then the process is repeated until a new one is created. There is no provision for resetting the **gentemp** counter. Also, the prefix for

**gentemp** is not remembered from one call to the next; if *prefix* is omitted, the default prefix **T** is used.

*[Function]* **symbol-package** *sym*

Given a symbol *sym*, **symbol-package** returns the contents of the package cell of that symbol. This will be a package object or **nil**.

*[Function]* **keywordp** *object*

The argument may be any Lisp object. The predicate **keywordp** is true if the argument is a symbol and that symbol is a keyword (that is, belongs to the keyword package). Keywords are those symbols that are written with a leading colon. Every keyword is a constant, in the sense that it always evaluates to itself. See **constantp**.





# Chapter 11

## Packages

One problem with earlier Lisp systems is the use of a single name space for all symbols. In large Lisp systems, with modules written by many different programmers, accidental name collisions become a serious problem. Common Lisp addresses this problem through the *package system*, derived from an earlier package system developed for Lisp Machine Lisp [55]. In addition to preventing name-space conflicts, the package system makes the modular structure of large Lisp systems more explicit.

A *package* is a data structure that establishes a mapping from print names (strings) to symbols. The package thus replaces the “oblist” or “obarray” machinery of earlier Lisp systems. At any given time one package is current, and this package is used by the Lisp reader in translating strings into symbols. The current package is, by definition, the one that is the value of the global variable **\*package\***. It is possible to refer to symbols in packages other than the current one through the use of *package qualifiers* in the printed representation of the symbol. For example, **foo:bar**, when seen by the reader, refers to the symbol whose name is **bar** in the package whose name is **foo**. (Actually, this is true only if **bar** is an external symbol of **foo**, that is, a symbol that is supposed to be visible outside of **foo**. A reference to an internal symbol requires the intentionally clumsier syntax **foo::bar**.)

The string-to-symbol mappings available in a given package are divided into two classes, *external* and *internal*. We refer to the symbols accessible via these mappings as being *external* and *internal* symbols of the package in question, though really it is the mappings that are different and not the symbols themselves. Within a given package, a name refers to one symbol or to none; if it does refer to a symbol, then it is either external or internal

in that package, but not both.

External symbols are part of the package's public interface to other packages. External symbols are supposed to be chosen with some care and are advertised to users of the package. Internal symbols are for internal use only, and these symbols are normally hidden from other packages. Most symbols are created as internal symbols; they become external only if they appear explicitly in an **export** command for the package.

A symbol may appear in many packages. It will always have the same name wherever it appears, but it may be external in some packages and internal in others. On the other hand, the same name (string) may refer to different symbols in different packages.

Normally, a symbol that appears in one or more packages will be *owned* by one particular package, called the *home package* of the symbol; that package is said to *own* the symbol. Every symbol has a component called the *package cell* that contains a pointer to its home package. A symbol that is owned by some package is said to be *interned*. Some symbols are not owned by any package; such a symbol is said to be *uninterned*, and its package cell contains **nil**.

Packages may be built up in layers. From the point of view of a package's user, the package is a single collection of mappings from strings into internal and external symbols. However, some of these mappings may be established within the package itself, while other mappings are inherited from other packages via the **use-package** construct. (The mechanisms responsible for this inheritance are described below.) In what follows, we will refer to a symbol as being *accessible* in a package if it can be referred to without a package qualifier when that package is current, regardless of whether the mapping occurs within that package or via inheritance. We will refer to a symbol as being *present* in a package if the mapping is in the package itself and is not inherited from somewhere else. Thus a symbol present in a package is accessible, but an accessible symbol is not necessarily present.

A symbol is said to be *interned in a package* if it is accessible in that package and also is owned (by either that package or some other package). Normally all the symbols accessible in a package will in fact be owned by some package, but the terminology is useful when discussing the pathological case of an accessible but unowned (uninterned) symbol.

As a verb, to *intern* a symbol in a package means to cause the symbol to be interned in the package if it was not already; this process is performed by the function **intern**. If the symbol was previously unowned, then the package

it is being interned in becomes its owner (home package); but if the symbol was previously owned by another package, that other package continues to own the symbol.

To *unintern* a symbol from the package means to cause it to be not present in the package and, additionally, to cause the symbol to be uninterned if the package was the home package (owner) of the symbol. This process is performed by the function **unintern**.

## 11.1 Consistency Rules

Package-related bugs can be very subtle and confusing: things are not what they appear to be. The Common Lisp package system is designed with a number of safety features to prevent most of the common bugs that would otherwise occur in normal use. This may seem over-protective, but experience with earlier package systems has shown that such safety features are needed.

In dealing with the package system, it is useful to keep in mind the following consistency rules, which remain in force as long as the value of **\*package\*** is not changed by the user:

- *Read-read consistency*: Reading the same print name always results in the same (**eq**) symbol.
- *Print-read consistency*: An interned symbol always prints as a sequence of characters that, when read back in, yields the same (**eq**) symbol.
- *Print-print consistency*: If two interned symbols are not **eq**, then their printed representations will be different sequences of characters.

These consistency rules remain true in spite of any amount of implicit interning caused by typing in Lisp forms, loading files, etc. This has the important implication that, as long as the current package is not changed, results are reproducible regardless of the order of loading files or the exact history of what symbols were typed in when. The rules can only be violated by explicit action: changing the value of **\*package\***, forcing some action by continuing from an error, or calling one of the “dangerous” functions **unintern**, **unexport**, **shadow**, **shadowing-import**, or **unuse-package**.

## 11.2 Package Names

Each package has a name (a string) and perhaps some nicknames. These are assigned when the package is created, though they can be changed later. A package's name should be something long and self-explanatory, like **editor**; there might be a nickname that is shorter and easier to type, such as **ed**.

There is a single name space for packages. The function **find-package** translates a package name or nickname into the associated package. The function **package-name** returns the name of a package. The function **package-nicknames** returns a list of all nicknames for a package. The function **rename-package** removes a package's current name and nicknames and replaces them with new ones specified by the user. Package renaming is occasionally useful when, for development purposes, it is desirable to load two versions of a package into the same Lisp. One can load the first version, rename it, and then load the other version, without getting a lot of name conflicts.

When the Lisp reader sees a qualified symbol, it handles the package-name part in the same way as the symbol part with respect to capitalization. Lowercase characters in the package name are converted to corresponding uppercase characters unless preceded by the escape character `\` or surrounded by `|` characters. The lookup done by the **find-package** function is case-sensitive, like that done for symbols. Note that `|Foo:|Bar|` refers to a symbol whose name is **Bar** in a package whose name is **Foo**. By contrast, `|Foo:Bar|` refers to a seven-character symbol that has a colon in its name (as well as two uppercase letters and four lowercase letters) and is interned in the current package. Following the convention used in this book for symbols, we show ordinary package names using lowercase letters, even though the name string is internally represented with uppercase letters.

Most of the functions that require a package-name argument from the user accept either a symbol or a string. If a symbol is supplied, its print name will be used; the print name will already have undergone case-conversion by the usual rules. If a string is supplied, it must be so capitalized as to match exactly the string that names the package.

X3J13 voted in January 1989 to clarify that one may use either a package object or a package name (symbol or string) in any of the following situations:

- the `:use` argument to **make-package**
- the first argument to **package-use-list**, **package-used-by-list**,

**package-name**, **package-nicknames**, **in-package**, **find-package**, **rename-package**, or **delete-package**,

- the second argument to **intern**, **find-symbol**, **unintern**, **export**, **unexport**, **import**, **shadowing-import**, or **shadow**
- the first argument, or a member of the list that is the first argument, to **use-package** or **unuse-package**
- the value of the *package* given to **do-symbols**, **do-external-symbols**, or **do-all-symbols**
- a member of the *package-list* given to **with-package-iterator**

Note that the first argument to **make-package** must still be a package name and not an actual package; it makes no sense to create an already existing package. Similarly, package nicknames must always be expressed as package names and not as package objects. If **find-package** is given a package object instead of a name, it simply returns that package.

## 11.3 Translating Strings to Symbols

The value of the special variable **\*package\*** must always be a package object (not a name). Whatever package object is currently the value of **\*package\*** is referred to as the *current package*.

When the Lisp reader has, by parsing, obtained a string of characters thought to name a symbol, that name is looked up in the current package. This lookup may involve looking in other packages whose external symbols are inherited by the current package. If the name is found, the corresponding symbol is returned. If the name is not found (that is, there is no symbol of that name accessible in the current package), a new symbol is created for it and is placed in the current package as an internal symbol. Moreover, the current package becomes the owner (home package) of the symbol, and so the symbol becomes interned in the current package. If the name is later read again while this same package is current, the same symbol will then be found and returned.

Often it is desirable to refer to an external symbol in some package other than the current one. This is done through the use of a *qualified name*, consisting of a package name, then a colon, then the name of the symbol.

This causes the symbol's name to be looked up in the specified package, rather than in the current one. For example, **editor:buffer** refers to the external symbol named **buffer** accessible in the package named **editor**, regardless of whether there is a symbol named **buffer** in the current package. If there is no package named **editor**, or if no symbol named **buffer** is accessible in **editor**, or if **buffer** is an internal symbol in **editor**, the Lisp reader will signal a correctable error to ask the user for instructions.

On rare occasions, a user may need to refer to an *internal* symbol of some package other than the current one. It is illegal to do this with the colon qualifier, since accessing an internal symbol of some other package is usually a mistake. However, this operation is legal if a doubled colon **::** is used as the separator in place of the usual single colon. If **editor::buffer** is seen, the effect is exactly the same as reading **buffer** with **\*package\*** temporarily rebound to the package whose name is **editor**. This special-purpose qualifier should be used with caution.

The package named **keyword** contains all keyword symbols used by the Lisp system itself and by user-written code. Such symbols must be easily accessible from any package, and name conflicts are not an issue because these symbols are used only as labels and never to carry package-specific values or properties. Because keyword symbols are used so frequently, Common Lisp provides a special reader syntax for them. Any symbol preceded by a colon but no package name (for example **:foo**) is added to (or looked up in) the **keyword** package as an *external* symbol. The **keyword** package is also treated specially in that whenever a symbol is added to the **keyword** package the symbol is always made external; the symbol is also automatically declared to be a constant (see **defconstant**) and made to have itself as its value. This is why every keyword evaluates to itself. As a matter of style, keywords should always be accessed using the leading-colon convention; the user should never import or inherit keywords into any other package. It is an error to try to apply **use-package** to the **keyword** package.

Each symbol contains a package cell that is used to record the home package of the symbol, or **nil** if the symbol is uninterned. This cell may be accessed by using the function **symbol-package**. When an interned symbol is printed, if it is a symbol in the keyword package, then it is printed with a preceding colon; otherwise, if it is accessible (directly or by inheritance) in the current package, it is printed without any qualification; otherwise, it is printed with the name of the home package as the qualifier, using **:** as the separator if the symbol is external and **::** if not.

A symbol whose package slot contains **nil** (that is, has no home package) is printed preceded by **#:**. It is possible, by the use of **import** and **unintern**, to create a symbol that has no recorded home package but that in fact is accessible in some package. The system does not check for this pathological case, and such symbols will always be printed preceded by **#:**.

In summary, the following four uses of symbol qualifier syntax are defined.

**foo:bar** When read, looks up **BAR** among the external symbols of the package named **FOO**. Printed when symbol **bar** is external in its home package **foo** and is not accessible in the current package.

**foo::bar** When read, interns **BAR** as if **FOO** were the current package. Printed when symbol **bar** is internal in its home package **foo** and is not accessible in the current package.

**:bar** When read, interns **BAR** as an external symbol in the **keyword** package and makes it evaluate to itself. Printed when the home package of symbol **bar** is **keyword**.

**#:bar** When read, creates a new uninterned symbol named **BAR**. Printed when the symbol **bar** is uninterned (has no home package), even in the pathological case that **bar** is uninterned but nevertheless somehow accessible in the current package.

All other uses of colons within names of symbols are not defined by Common Lisp but are reserved for implementation-dependent use; this includes names that end in a colon, contain two or more colons, or consist of just a colon.

## 11.4 Exporting and Importing Symbols

Symbols from one package may be made accessible in another package in two ways.

First, any individual symbol may be added to a package by use of the function **import**. The form (**import 'editor:buffer**) takes the external symbol named **buffer** in the **editor** package (this symbol was located when the form was read by the Lisp reader) and adds it to the current package as an internal symbol. The symbol is then present in the current package. The

imported symbol is not automatically exported from the current package, but if it is already present and external, then the fact that it is external is not changed. After the call to **import** it is possible to refer to **buffer** in the importing package without any qualifier. The status of **buffer** in the package named **editor** is unchanged, and **editor** remains the home package for this symbol. Once imported, a symbol is *present* in the importing package and can be removed only by calling **unintern**.

If the symbol is already present in the importing package, **import** has no effect. If a distinct symbol with the name **buffer** is accessible in the importing package (directly or by inheritance), then a correctable error is signaled, as described in section 11.5, because **import** avoids letting one symbol shadow another.

A symbol is said to be *shadowed* by another symbol in some package if the first symbol would be accessible by inheritance if not for the presence of the second symbol. To import a symbol without the possibility of getting an error because of shadowing, use the function **shadowing-import**. This inserts the symbol into the specified package as an internal symbol, regardless of whether another symbol of the same name will be shadowed by this action. If a different symbol of the same name is already present in the package, that symbol will first be uninterned from the package (see **unintern**). The new symbol is added to the package's shadowing-symbols list. **shadowing-import** should be used with caution. It changes the state of the package system in such a way that the consistency rules do not hold across the change.

The second mechanism is provided by the function **use-package**. This causes a package to inherit all of the external symbols of some other package. These symbols become accessible as *internal* symbols of the using package. That is, they can be referred to without a qualifier while this package is current, but they are not passed along to any other package that uses this package. Note that **use-package**, unlike **import**, does not cause any new symbols to be *present* in the current package but only makes them *accessible* by inheritance. **use-package** checks carefully for name conflicts between the newly imported symbols and those already accessible in the importing package. This is described in detail in section 11.5.

Typically a user, working by default in the **user** package, will load a number of packages into Lisp to provide an augmented working environment, and then call **use-package** on each of these packages to allow easy access to their external symbols. **unuse-package** undoes the effects of a previous **use-package**. The external symbols of the used package are no



longer inherited. However, any symbols that have been imported into the using package continue to be present in that package.

There is no way to inherit the *internal* symbols of another package; to refer to an internal symbol, the user must either make that symbol's home package current, use a qualifier, or import that symbol into the current package.

The distinction between external and internal symbols is a primary means of hiding names so that one program does not tread on the namespace of another.

When **intern** or some other function wants to look up a symbol in a given package, it first looks for the symbol among the external and internal symbols of the package itself; then it looks through the external symbols of the used packages in some unspecified order. The order does not matter; according to the rules for handling name conflicts (see below), if conflicting symbols appear in two or more packages inherited by package *X*, a symbol of this name must also appear in *X* itself as a shadowing symbol. Of course, implementations are free to choose other, more efficient ways of implementing this search, as long as the user-visible behavior is equivalent to what is described here.

The function **export** takes a symbol that is accessible in some specified package (directly or by inheritance) and makes it an external symbol of that package. If the symbol is already accessible as an external symbol in the package, **export** has no effect. If the symbol is directly present in the package as an internal symbol, it is simply changed to external status. If it is accessible as an internal symbol via **use-package**, the symbol is first imported into the package, then exported. (The symbol is then present in the specified package whether or not the package continues to use the package through which the symbol was originally inherited.) If the symbol is not accessible at all in the specified package, a correctable error is signaled that, upon continuing, asks the user whether the symbol should be imported.

The function **unexport** is provided mainly as a way to undo erroneous calls to **export**. It works only on symbols directly present in the current package, switching them back to internal status. If **unexport** is given a symbol already accessible as an internal symbol in the current package, it does nothing; if it is given a symbol not accessible in the package at all, it signals an error.

## 11.5 Name Conflicts

A fundamental invariant of the package system is that within one package any particular name can refer to at most one symbol. A *name conflict* is said to occur when there is more than one candidate symbol and it is not obvious which one to choose. If the system does not always choose the same way, the read-read consistency rule would be violated. For example, some programs or data might have been read in under a certain mapping of the name to a symbol. If the mapping changes to a different symbol, and subsequently additional programs or data are read, then the two programs will not access the same symbol even though they use the same name. Even if the system did always choose the same way, a name conflict is likely to result in a mapping from names to symbols different from what was expected by the user, causing programs to execute incorrectly. Therefore, any time a name conflict is about to occur, an error is signaled. The user may continue from the error and tell the package system how to resolve the conflict.

It may be that the same symbol is accessible to a package through more than one path. For example, the symbol might be an external symbol of more than one used package, or the symbol might be directly present in a package and also inherited from another package. In such cases there is no name conflict. The same identical symbol cannot conflict with itself. Name conflicts occur only between distinct symbols with the same name.

The creator of a package can tell the system in advance how to resolve a name conflict through the use of *shadowing*. Every package has a list of shadowing symbols. A shadowing symbol takes precedence over any other symbol of the same name that would otherwise be accessible to the package. A name conflict involving a shadowing symbol is always resolved in favor of the shadowing symbol, without signaling an error (except for one instance involving **import** described below). The functions **shadow** and **shadowing-import** may be used to declare shadowing symbols.

Name conflicts are detected when they become possible, that is, when the package structure is altered. There is no need to check for name conflicts during every name lookup.

The functions **use-package**, **import**, and **export** check for name conflicts. **use-package** makes the external symbols of the package being used accessible to the using package; each of these symbols is checked for name conflicts with the symbols already accessible. **import** adds a single symbol to the internals of a package, checking for a name conflict with an exist-

ing symbol either present in the package or accessible to it. **import** signals a name conflict error even if the conflict is with a shadowing symbol, the rationale being that the user has given two explicit and inconsistent directives. **export** makes a single symbol accessible to all the packages that use the package from which the symbol is exported. All of these packages are checked for name conflicts: **(export s p)** does **(find-symbol (symbol-name s) q)** for each package *q* in **(package-used-by-list p)**. Note that in the usual case of an **export** during the initial definition of a package, the result of **package-used-by-list** will be **nil** and the name-conflict checking will take negligible time.

The function **intern**, which is the one used most frequently by the Lisp reader for looking up names of symbols, does not need to do any name-conflict checking, because it never creates a new symbol if there is already an accessible symbol with the name given.

**shadow** and **shadowing-import** never signal a name-conflict error because the user, by calling these functions, has specified how any possible conflict is to be resolved. **shadow** does name-conflict checking to the extent that it checks whether a distinct existing symbol with the specified name is accessible and, if so, whether it is directly present in the package or inherited. In the latter case, a new symbol is created to shadow it. **shadowing-import** does name-conflict checking to the extent that it checks whether a distinct existing symbol with the same name is accessible; if so, it is shadowed by the new symbol, which implies that it must be uninterned if it was directly present in the package.

**unuse-package**, **unexport**, and **unintern** (when the symbol being uninterned is not a shadowing symbol) do not need to do any name-conflict checking because they only remove symbols from a package; they do not make any new symbols accessible.

Giving a shadowing symbol to **unintern** can uncover a name conflict that had previously been resolved by the shadowing. If package A uses packages B and C, A contains a shadowing symbol **x**, and B and C each contain external symbols named **x**, then removing the shadowing symbol **x** from A will reveal a name conflict between **b:x** and **c:x** if those two symbols are distinct. In this case **unintern** will signal an error.

Aborting from a name-conflict error leaves the original symbol accessible. Package functions always signal name-conflict errors before making any change to the package structure. When multiple changes are to be made, however, for example when **export** is given a list of symbols, it is permissible

for the implementation to process each change separately, so that aborting from a name conflict caused by the second symbol in the list will not un-export the first symbol in the list. However, aborting from a name-conflict error caused by **export** of a single symbol will not leave that symbol accessible to some packages and inaccessible to others; with respect to each symbol processed, **export** behaves as if it were an atomic operation.

Continuing from a name-conflict error should offer the user a chance to resolve the name conflict in favor of either of the candidates. The package structure should be altered to reflect the resolution of the name conflict, via **shadowing-import**, **unintern**, or **unexport**.

A name conflict in **use-package** between a symbol directly present in the using package and an external symbol of the used package may be resolved in favor of the first symbol by making it a shadowing symbol, or in favor of the second symbol by uninterning the first symbol from the using package. The latter resolution is dangerous if the symbol to be uninterned is an external symbol of the using package, since it will cease to be an external symbol.

A name conflict in **use-package** between two external symbols inherited by the using package from other packages may be resolved in favor of either symbol by importing it into the using package and making it a shadowing symbol.

A name conflict in **export** between the symbol being exported and a symbol already present in a package that would inherit the newly exported symbol may be resolved in favor of the exported symbol by uninterning the other one, or in favor of the already-present symbol by making it a shadowing symbol.

A name conflict in **export** or **unintern** due to a package inheriting two distinct symbols with the same name from two other packages may be resolved in favor of either symbol by importing it into the using package and making it a shadowing symbol, just as with **use-package**.

A name conflict in **import** between the symbol being imported and a symbol inherited from some other package may be resolved in favor of the symbol being imported by making it a shadowing symbol, or in favor of the symbol already accessible by not doing the **import**. A name conflict in **import** with a symbol already present in the package may be resolved by uninterning that symbol, or by not doing the **import**.

Good user-interface style dictates that **use-package** and **export**, which can cause many name conflicts simultaneously, first check for all of the name conflicts before presenting any of them to the user. The user may then choose

to resolve all of them wholesale or to resolve each of them individually, the latter requiring a lot of interaction but permitting different conflicts to be resolved different ways.

Implementations may offer other ways of resolving name conflicts. For instance, if the symbols that conflict are not being used as objects but only as names for functions, it may be possible to “merge” the two symbols by putting the function definition onto both symbols. References to either symbol for purposes of calling a function would be equivalent. A similar merging operation can be done for variable values and for things stored on the property list. In Lisp Machine Lisp, for example, one can also *forward* the value, function, and property cells so that future changes to either symbol will propagate to the other one. Some other implementations are able to do this with value cells but not with property lists. Only the user can know whether this way of resolving a name conflict is adequate, because it will work only if the use of two non-`eq` symbols with the same name will not prevent the correct operation of the program. The value of offering symbol merging as a way of resolving name conflicts is that it can avoid the need to throw away the whole Lisp world, correct the package-definition forms that caused the error, and start over from scratch.

## 11.6 Built-in Packages

**common-lisp** The package named **common-lisp** contains the primitives of the ANSI Common Lisp system (as opposed to a Common Lisp system based on the 1984 specification). Its external symbols include all of the user-visible functions and global variables that are present in the ANSI Common Lisp system, such as `car`, `cdr`, and `*package*`. Note, however, that the home package of such symbols is not necessarily the **common-lisp** package (this makes it easier for symbols such as `t` and `lambda` to be shared between the **common-lisp** package and another package, possibly one named `lisp`). Almost all other packages ought to use **common-lisp** so that these symbols will be accessible without qualification. This package has the nickname `cl`.

**common-lisp-user** The **common-lisp-user** package is, by default, the current package at the time an ANSI Common Lisp system starts up. This package uses the **common-lisp** package and has the nickname

**cl-user.** It may contain other implementation-dependent symbols and may use other implementation-specific packages.

**keyword** This package contains all of the keywords used by built-in or user-defined Lisp functions. Printed symbol representations that start with a colon are interpreted as referring to symbols in this package, which are always external symbols. All symbols in this package are treated as constants that evaluate to themselves, so that the user can type **:foo** instead of **'foo**.

X3J13 voted in January 1989 to modify the requirements on the built-in packages so as to limit what may appear in the **common-lisp** package and to lift the requirement that every implementation have a package named **system**. The details are as follows.

Not only must the **common-lisp** package in any given implementation contain all the external symbols prescribed by the standard; the **common-lisp** package moreover may not contain any external symbol that is not prescribed by the standard. However, the **common-lisp** package may contain additional internal symbols, depending on the implementation.

An external symbol of the **common-lisp** package may not have a function, macro, or special operator definition, or a top-level value, or a **special** proclamation, or a type definition, unless specifically permitted by the standard. Programmers may validly rely on this fact; for example, **fboundp** is guaranteed to be false for all external symbols of the **common-lisp** package except those explicitly specified in the standard to name functions, macros, and special operators. Similarly, **boundp** will be false of all such external symbols except those documented to be variables or constants.

Portable programs may use external symbols in the **common-lisp** package that are not documented to be constants or variables as names of local lexical variables with the presumption that the implementation has not proclaimed such variables to be special; this legitimizes the common practice of using such names as **list** and **string** as names for local variables.

A valid implementation may initially have properties on any symbol, or dynamically put new properties on symbols (even user-created symbols), as long as no property indicator used for this purpose is an external symbol of any package defined by the standard or a symbol that is accessible from the **common-lisp-user** package or any package defined by the user.

This vote eliminates the requirement that every implementation have a predefined package named **system**. An implementation may provide any

number of predefined packages; these should be described in the documentation for that implementation.

The **common-lisp-user** package may contain symbols not described by the standard and may use other implementation-specific packages.

X3J13 voted in March 1989 to restrict user programs from performing certain actions that might interfere with built-in facilities or interact badly with them. Except where explicitly allowed, the consequences are undefined if any of the following actions are performed on a symbol in the **common-lisp** package.

- binding or altering its value (lexically or dynamically)
- defining or binding it as a function
- defining or binding it as a macro
- defining it as a type specifier (**defstruct**, **defclass**, **deftype**)
- defining it as a structure (**defstruct**)
- defining it as a declaration
- design it as a symbol macro **FIXME**
- altering its print name
- altering its package
- tracing it
- declaring or proclaiming it special or lexical
- declaring or proclaiming its **type** or **ftype**
- removing it from the package **common-lisp**

X3J13 also voted in June 1989 to add to this list the item

- defining it as a compiler macro

If such a symbol is not globally defined as a variable or a constant, a user program is allowed to lexically bind it and declare the **type** of that binding.

If such a symbol is not defined as a function, macro, or special operator, a user program is allowed to (lexically) bind it as a function and to declare the **ftype** of that binding and to trace that binding.

If such a symbol is not defined as a function, macro, or special operator, a user program is allowed to (lexically) bind it as a macro.

As an example, the behavior of the code fragment

```
(flet ((open (filename &key direction)
        (format t "~%OPEN was called.")
        (open filename :direction direction)))
      (with-open-file (x "frob" :direction 'output)
        (format t "~%Was OPEN called?"))))
```

is undefined. Even in a “reasonable” implementation, for example, the macro expansion of **with-open-file** might refer to the **open** function and might not. However, the preceding rules eliminate the burden of deciding whether an implementation is reasonable. The code fragment violates the rules; officially its behavior is therefore completely undefined, and that’s that.

Note that “altering the property list” is not in the list of proscribed actions, so a user program *is* permitted to add properties to or remove properties from symbols in the **common-lisp** package.

## 11.7 Package System Functions and Variables

---

**Implementation note:** In the past, some Lisp compilers have read the entire file into Lisp before processing any of the forms. Other compilers have arranged for the loader to do all of its intern operations before evaluating any of the top-level forms. Neither of these techniques will work in a straightforward way in Common Lisp because of the presence of multiple packages.

---

For the functions described here, all optional arguments named *package* default to the current value of **\*package\***. Where a function takes an argument that is either a symbol or a list of symbols, an argument of **nil** is treated as an empty list of symbols. Any argument described as a package name may



be either a string or a symbol. If a symbol is supplied, its print name will be used as the package name; if a string is supplied, the user must take care to specify the same capitalization used in the package name, normally all uppercase.

*[Variable]* **\*package\***

The value of this variable must be a package; this package is said to be the current package. The initial value of **\*package\*** is the **user** package.

The functions **load** and **compile-file** rebind **\*package\*** to its current value. If some form in the file changes the value of **\*package\*** during loading or compilation, the old value will be restored when the loading is completed.

*[Function]* **make-package** *package-name* &key *:nicknames* *:use*

This creates and returns a new package with the specified package name. As described above, this argument may be either a string or a symbol. The **:nicknames** argument must be a list of strings to be used as alternative names for the package. Once again, the user may supply symbols in place of the strings, in which case the print names of the symbols are used. These names and nicknames must not conflict with any existing package names; if they do, a correctable error is signaled.

The **:use** argument is a list of packages or the names (strings or symbols) of packages whose external symbols are to be inherited by the new package. These packages must already exist. If not supplied, **:use** defaults to a list of one package, the **lisp** package.

*[Macro]* **in-package** *name*

This macro causes **\*package\*** to be set to the package named *name*, which must be a symbol or string. The *name* is not evaluated. An error is signaled if the package does not already exist. Everything this macro does is also performed at compile time if the call appears at top level.

**in-package** returns the new package, that is, the value of **\*package\*** after the operation has been executed.

*[Function]* **find-package** *name*

The *name* must be a string that is the name or nickname for a package. This argument may also be a symbol, in which case the symbol's print name

is used. The package with that name or nickname is returned; if no such package exists, **find-package** returns **nil**. The matching of names observes case (as in **string=**).

*package* argument may be either a package object or a package name (see section 11.2).

*[Function]* **package-name** *package*

The argument must be a package. This function returns the string that names that package.

*package* argument may be either a package object or a package name (see section 11.2).

**package-name** returns **nil** instead of the package if the package has been removed. See **delete-package**.

*[Function]* **package-nicknames** *package*

The argument must be a package. This function returns the list of nickname strings for that package, not including the primary name.

*package* argument may be either a package object or a package name (see section 11.2).

*[Function]* **rename-package** *package new-name &optional new-nicknames*

The old name and all of the old nicknames of *package* are eliminated and are replaced by *new-name* and *new-nicknames*. The *new-name* argument is a string or symbol; the *new-nicknames* argument, which defaults to **nil**, is a list of strings or symbols.

*package* argument may be either a package object or a package name (see section 11.2).

*[Function]* **package-use-list** *package*

A list of other packages used by the argument package is returned.

*package* argument may be either a package object or a package name (see section 11.2).

[Function] **package-used-by-list** *package*

A list of other packages that use the argument *package* is returned.

*package* argument may be either a package object or a package name (see section 11.2).

[Function] **package-shadowing-symbols** *package*

A list is returned of symbols that have been declared as shadowing symbols in this package by **shadow** or **shadowing-import**. All symbols on this list are present in the specified package.

*package* argument may be either a package object or a package name (see section 11.2).

[Function] **list-all-packages**

This function returns a list of all packages that currently exist in the Lisp system.

[Function] **delete-package** *package*

The **delete-package** function deletes the specified *package* from all package system data structures. The *package* argument may be either a package or the name of a package.

If *package* is a name but there is currently no package of that name, a correctable error is signaled. Continuing from the error makes no deletion attempt but merely returns **nil** from the call to **delete-package**.

If *package* is a package object that has already been deleted, no error is signaled and no deletion is attempted; instead, **delete-package** immediately returns **nil**.

If the package specified for deletion is currently used by other packages, a correctable error is signaled. Continuing from this error, the effect of the function **unuse-package** is performed on all such other packages so as to remove their dependency on the specified package, after which **delete-package** proceeds to delete the specified package as if no other package had been using it.

If any symbol had the specified package as its home package before the call to **delete-package**, then its home package is unspecified (that is, the

contents of its package cell are unspecified) after the **delete-package** operation has been completed. Symbols in the deleted package are not modified in any other way.

The name and nicknames of the *package* cease to be recognized package names. The package object is still a package, but anonymous; **packagep** will be true of it, but **package-name** applied to it will return **nil**.

The effect of any other package operation on a deleted package object is undefined. In particular, an attempt to locate a symbol within a deleted package (using **intern** or **find-symbol**, for example) will have unspecified results.

**delete-package** returns **t** if the deletion succeeds, and **nil** otherwise.

*[Function]* **intern** *string* &optional *package*

The *package*, which defaults to the current package, is searched for a symbol with the name specified by the *string* argument. This search will include inherited symbols, as described in section 11.4. If a symbol with the specified name is found, it is returned. If no such symbol is found, one is created and is installed in the specified package as an internal symbol (as an external symbol if the package is the **keyword** package); the specified package becomes the home package of the created symbol.

X3J13 voted in March 1989 to specify that **intern** may in effect perform the search using a copy of the argument string in which some or all of the implementation-defined attributes have been removed from the characters of the string. It is implementation-dependent which attributes are removed.

Two values are returned. The first is the symbol that was found or created. The second value is **nil** if no pre-existing symbol was found, and takes on one of three values if a symbol was found:

- :internal** The symbol was directly present in the package as an internal symbol.
- :external** The symbol was directly present as an external symbol.
- :inherited** The symbol was inherited via **use-package** (which implies that the symbol is internal).

*package* argument may be either a package object or a package name (see section 11.2).

[Function] **find-symbol** *string* &optional *package*

This is identical to **intern**, but it never creates a new symbol. If a symbol with the specified name is found in the specified package, directly or by inheritance, the symbol found is returned as the first value and the second value is as specified for **intern**. If the symbol is not accessible in the specified package, both values are **nil**.

*package* argument may be either a package object or a package name (see section 11.2).

[Function] **unintern** *symbol* &optional *package*

If the specified symbol is present in the specified *package*, it is removed from that package and also from the package's shadowing-symbols list if it is present there. Moreover, if the *package* is the home package for the symbol, the symbol is made to have no home package. Note that in some circumstances the symbol may continue to be accessible in the specified package by inheritance. **unintern** returns **t** if it actually removed a symbol, and **nil** otherwise.

**unintern** should be used with caution. It changes the state of the package system in such a way that the consistency rules do not hold across the change.

*package* argument may be either a package object or a package name (see section 11.2).

[Function] **export** *symbols* &optional *package*

The *symbols* argument should be a list of symbols, or possibly a single symbol. These symbols become accessible as external symbols in *package* (see section 11.4). **export** returns **t**.

By convention, a call to **export** listing all exported symbols is placed near the start of a file to advertise which of the symbols mentioned in the file are intended to be used by other programs.

*package* argument may be either a package object or a package name (see section 11.2).

[Function] **unexport** *symbols* &optional *package*

The *symbols* argument should be a list of symbols, or possibly a single symbol. These symbols become internal symbols in *package*. It is an error to

unexport a symbol from the **keyword** package (see section 11.4). **unexport** returns **t**.

The *package* argument may be either a package object or a package name (see section 11.2).

[Function] **import** *symbols* &optional *package*

The argument should be a list of symbols, or possibly a single symbol. These symbols become internal symbols in *package* and can therefore be referred to without having to use qualified-name (colon) syntax. **import** signals a correctable error if any of the imported symbols has the same name as some distinct symbol already accessible in the package (see section 11.4). **import** returns **t**.

If any symbol to be imported has no home package then **import** sets the home package of the symbol to the *package* to which the symbol is being imported.

The *package* argument may be either a package object or a package name (see section 11.2).

[Function] **shadowing-import** *symbols* &optional *package*

This is like **import**, but it does not signal an error even if the importation of a symbol would shadow some symbol already accessible in the package. In addition to being imported, the symbol is placed on the shadowing-symbols list of *package* (see section 11.5). **shadowing-import** returns **t**.

**shadowing-import** should be used with caution. It changes the state of the package system in such a way that the consistency rules do not hold across the change.

The *package* argument may be either a package object or a package name (see section 11.2).

[Function] **shadow** *symbols* &optional *package*

The argument should be a list of symbols, or possibly a single symbol. The print name of each symbol is extracted, and the specified *package* is searched for a symbol of that name. If such a symbol is present in this package (directly, not by inheritance), then nothing is done. Otherwise, a new symbol is created with this print name, and it is inserted in the *package*

as an internal symbol. The symbol is also placed on the shadowing-symbols list of the *package* (see section 11.5). **shadow** returns **t**.

**shadow** should be used with caution. It changes the state of the package system in such a way that the consistency rules do not hold across the change.

The *package* argument may be either a package object or a package name (see section 11.2).

*[Function]* **use-package** *packages-to-use* &*optional* *package*

The *packages-to-use* argument should be a list of packages or package names, or possibly a single package or package name. These packages are added to the use-list of *package* if they are not there already. All external symbols in the packages to use become accessible in *package* as internal symbols (see section 11.4). It is an error to try to use the **keyword** package. **use-package** returns **t**.

The *package* argument may be either a package object or a package name (see section 11.2).

*[Function]* **unuse-package** *packages-to-unuse* &*optional* *package*

The *packages-to-unuse* argument should be a list of packages or package names, or possibly a single package or package name. These packages are removed from the use-list of *package*. **unuse-package** returns **t**.

The *package* argument may be either a package object or a package name (see section 11.2).

*[Macro]* **defpackage** *defined-package-name* {*option*}\*

This creates a new package, or modifies an existing one, whose name is *defined-package-name*. The *defined-package-name* may be a string or a symbol; if it is a symbol, only its print name matters, and not what package, if any, the symbol happens to be in. The newly created or modified package is returned as the value of the **defpackage** form.

Each standard *option* is a list of a keyword (the name of the option) and associated arguments. No part of a **defpackage** form is evaluated. Except for the **:size** option, more than one option of the same kind may occur within the same **defpackage** form.

The standard options for **defpackage** are as follows. In every case, any option argument called *package-name* or *symbol-name* may be a string or a symbol; if it is a symbol, only its print name matters, and not what package, if any, the symbol happens to be in.

- (**:size** *integer*) This specifies approximately the number of symbols expected to be in the package. This is purely an efficiency hint to the storage allocator, so that implementations using hash tables as part of the package data structure (the usual technique) will not have to incrementally expand the package as new symbols are added to it (for example, as a large file is read while “in” that package).
- (**:nicknames** **{}**\* *package-name*) The specified names become nicknames of the package being defined. If any of the specified nicknames already refers to an existing package, a continuable error is signaled exactly as for the function **make-package**.
- (**:shadow** **{}**\* *symbol-name*) Symbols with the specified names are created as shadows in the package being defined, just as with the function **shadow**.
- (**:shadowing-import-from** *package-name* **{}**\* *symbol-name*) Symbols with the specified names are located in the specified package. These symbols are imported into the package being defined, shadowing other symbols if necessary, just as with the function **shadowing-import**. In no case will symbols be created in a package other than the one being defined; a continuable error is signaled if for any *symbol-name* there is no symbol of that name accessible in the package named *package-name*.
- (**:use** **{}**\* *package-name*) The package being defined is made to “use” (inherit from) the packages specified by this option, just as with the function **use-package**. If no **:use** option is supplied, then option is unspecified.
- (**:import-from** *package-name* **{}**\* *symbol-name*) Symbols with the specified names are located in the specified package. These symbols are imported into the package being defined, just as with the function **import**. In no case will symbols be created in a package other than the one being defined; a continuable error is signaled if for any *symbol-name* there is no symbol of that name accessible in the package named *package-name*.
- (**:intern** **{}**\* *symbol-name*) Symbols with the specified names are located or created in the package being defined, just as with the function **in-**



**tern.** Note that the action of this option may be affected by a **:use** option, because an inherited symbol will be used in preference to creating a new one.

**(:export {}\* symbol-name)** Symbols with the specified names are located or created in the package being defined and then exported, just as with the function **export**. Note that the action of this option may be affected by a **:use**, **:import-from**, or **:shadowing-import-from** option, because an inherited or imported symbol will be used in preference to creating a new one.

The order in which options appear in a **defpackage** form does not matter; part of the convenience of **defpackage** is that it sorts out the options into the correct order for processing. Options are processed in the following order:

1. **:shadow** and **:shadowing-import-from**
2. **:use**
3. **:import-from** and **:intern**
4. **:export**

Shadows are established first in order to avoid spurious name conflicts when use links are established. Use links must occur before importing and interning so that those operations may refer to normally inherited symbols rather than creating new ones. Exports are performed last so that symbols created by any of the other options, in particular, shadows and imported symbols, may be exported. Note that exporting an inherited symbol implicitly imports it first (see section 11.4).

If no package named *defined-package-name* already exists, **defpackage** creates it. If such a package does already exist, then no new package is created. The existing package is modified, if possible, to reflect the new definition. The results are undefined if the new definition is not consistent with the current state of the package.

An error is signaled if more than one **:size** option appears. Если опция **:size** указана более одного раза сигнализируется ошибка.

An error is signaled if the same **symbol-name** argument (in the sense of comparing names with **string=**) appears more than once among the arguments to all the **:shadow**, **:shadowing-import-from**, **:import-from**, and **:intern** options.

An error is signaled if the same **symbol-name** argument (in the sense of comparing names with **string=**) appears more than once among the arguments to all the **:intern** and **:export** options.

Other kinds of name conflicts are handled in the same manner that the underlying operations **use-package**, **import**, and **export** would handle them.

Implementations may support other **defpackage** options. Every implementation should signal an error on encountering a **defpackage** option it does not support.

The function **compile-file** should treat top-level **defpackage** forms in the same way it would treat top-level calls to package-affecting functions (as described at the beginning of section 11.7).

Here is an example of a call to **defpackage** that “plays it safe” by using only strings as names.

```
(cl:defpackage "MY-VERY-OWN-PACKAGE"
  (:size 496)
  (:nicknames "MY-PKG" "MYPKG" "MVOP")
  (:use "COMMON-LISP")
  (:shadow "CAR" "CDR")
  (:shadowing-import-from "BRAND-X-LISP" "CONS")
  (:import-from "BRAND-X-LISP" "GC" "BLINK-FRONT-PANEL-LIGHTS")
  (:export "EQ" "CONS" "MY-VERY-OWN-FUNCTION"))
```

The preceding **defpackage** example is designed to operate correctly even if the package current when the form is read happens not to “use” the **common-lisp** package. (Note the use in this example of the nickname **cl** for the **common-lisp** package.) Moreover, neither reading in nor evaluating this **defpackage** form will ever create any symbols in the current package. Note too the use of uppercase letters in the strings.

Here, for the sake of contrast, is a rather similar use of **defpackage** that “plays the whale” by using all sorts of permissible syntax.

```
(defpackage my-very-own-package
  (:export :EQ common-lisp:cons my-very-own-function)
  (:nicknames "MY-PKG" #:MyPkg)
  (:use "COMMON-LISP")
  (:shadow "CAR")
  (:size 496)
  (:nicknames mvop))
```

```
(:import-from "BRAND-X-LISP" "GC" Blink-Front-Panel-Lights)
(:shadow common-lisp::cdr)
(:shadowing-import-from "BRAND-X-LISP" CONS))
```

This example has exactly the same effect on the newly created package but may create useless symbols in other packages. The use of explicit package tags is particularly confusing; for example, this **defpackage** form will cause the symbol **cdr** to be shadowed *in the new package*; it will not be shadowed in the package **common-lisp**. The fact that the name “**CDR**” was specified by a package-qualified reference to a symbol in the **common-lisp** package is a red herring. The moral is that the syntactic flexibility of **defpackage**, as in other parts of Common Lisp, yields considerable convenience when used with commonsense competence, but unutterable confusion when used with Malthusian profusion.

---

**Implementation note:** An implementation of **defpackage** might choose to transform all the *package-name* and *symbol-name* arguments into strings at macro expansion time, rather than at the time the resulting expansion is executed, so that even if source code is expressed in terms of strange symbols in the **defpackage** form, the binary file resulting from compiling the source code would contain only strings. The purpose of this is simply to minimize the creation of useless symbols in production code. This technique is permitted as an implementation strategy but is not a behavior required by the specification of **defpackage**.

---

Note that **defpackage** is not capable by itself of defining mutually recursive packages, for example two packages each of which uses the other. However, nothing prevents one from using **defpackage** to perform much of the initial setup and then using functions such as **use-package**, **import**, and **export** to complete the links.

The purpose of **defpackage** is to encourage the user to put the entire definition of a package and its relationships to other packages in a single place. It may also encourage the designer of a large system to place the definitions of all relevant packages into a single file (say) that can be loaded before loading or compiling any code that depends on those packages. Such a file, if carefully constructed, can simply be loaded into the **common-lisp-user** package.

Implementations and programming environments may also be better able to support the programming process (if only by providing better error checking) through global knowledge of the intended package setup.

*[Function]* **find-all-symbols** *string-or-symbol*

**find-all-symbols** searches every package in the Lisp system to find every symbol whose print name is the specified string. A list of all such symbols found is returned. This search is case-sensitive. If the argument is a symbol, its print name supplies the string to be searched for.

*[Macro]* **do-symbols** (var [package [result-form]])  
 {declaration}\* {tag | statement}\*

**do-symbols** provides straightforward iteration over the symbols of a package. The body is performed once for each symbol accessible in the *package*, in no particular order, with the variable *var* bound to the symbol. Then *result-form* (a single form, *not* an implicit **progn**) is evaluated, and the result is the value of the **do-symbols** form. (When the *result-form* is evaluated, the control variable *var* is still bound and has the value **nil**.) If the *result-form* is omitted, the result is **nil**. **return** may be used to terminate the iteration prematurely. If execution of the body affects which symbols are contained in the *package*, other than possibly to remove the symbol currently the value of *var* by using **unintern**, the effects are unpredictable.

The *package* argument may be either a package object or a package name (see section 11.2).

X3J13 voted in March 1988 to specify that the body of a **do-symbols** form may be executed more than once for the same accessible symbol, and users should take care to allow for this possibility.

The point is that the same symbol might be accessible via more than one chain of inheritance, and it is implementationally costly to eliminate such duplicates. Here is an example:

```
(setq *a* (make-package 'a))    ;Implicitly uses package common-lisp
(setq *b* (make-package 'b))    ;Implicitly uses package common-lisp
(setq *c* (make-package 'c :use '(a b)))

(do-symbols (x *c*) (print x))  ;Symbols in package common-lisp
                                ; might be printed once or twice here
```

X3J13 voted in January 1989 to restrict user side effects; see section 7.9. Note that the **loop** construct provides a kind of **for** clause that can iterate

over the symbols of a package (see chapter 26).

*[Macro]* **do-external-symbols** (var [package [result]])  
 {declaration}\* {tag | statement}\*

**do-external-symbols** is just like **do-symbols**, except that only the external symbols of the specified package are scanned.

The clarification voted by X3J13 in March 1988 for **do-symbols**, regarding redundant executions of the body for the same symbol, applies also to **do-external-symbols**.

The *package* argument may be either a package object or a package name (see section 11.2).

X3J13 voted in January 1989 to restrict user side effects; see section 7.9.

*[Macro]* **do-all-symbols** (var [result-form])  
 {declaration}\* {tag | statement}\*

This is similar to **do-symbols** but executes the body once for every symbol contained in every package. (This will not process every symbol whatsoever, because a symbol not accessible in any package will not be processed. Normally, uninterned symbols are not accessible in any package.) It is *not* in general the case that each symbol is processed only once, because a symbol may appear in many packages.

The clarification voted by X3J13 in March 1988 for **do-symbols**, regarding redundant executions of the body for the same symbol, applies also to **do-all-symbols**.

The *package* argument may be either a package object or a package name (see section 11.2).

X3J13 voted in January 1989 to restrict user side effects; see section 7.9.

*[Macro]* **with-package-iterator** (mname package-list {symbol-type}+)  
 {form}\*

The name *mname* is bound and defined as if by **macrolet**, with the body *forms* as its lexical scope, to be a “generator macro” such that each invocation of (*mname*) will return a symbol and that successive invocations will eventually deliver, one by one, all the symbols from the packages that are elements of the list that is the value of the expression *package-list* (which is evaluated exactly once).

Each element of the *package-list* value may be either a package or the name of a package. As a further convenience, if the *package-list* value is itself a package or the name of a package, it is treated as if a singleton list

containing that value had been provided. If the *package-list* value is **nil**, it is considered to be an empty list of packages.

At each invocation of the generator macro, there are two possibilities. If there is yet another unprocessed symbol, then four values are returned: **t**, the symbol, a keyword indicating the accessibility of the symbol within the package (see below), and the package from which the symbol was accessed. If there are no more unprocessed symbols in the list of packages, then one value is returned: **nil**.

When the generator macro returns a symbol as its second value, the fourth value is always one of the packages present or named in the *package-list* value, and the third value is a keyword indicating accessibility: **:internal** means present in the package and not exported; **:external** means present and exported; and **:inherited** means not present (thus not shadowed) but inherited from some package used by the package that is the fourth value.

Each *symbol-type* in an invocation of **with-package-iterator** is not evaluated. More than one may be present; their order does not matter. They indicate the accessibility types of interest. A symbol is not returned by the generator macro unless its actual accessibility matches one of the *symbol-type* indicators. The standard *symbol-type* indicators are **:internal**, **:external**, and **:inherited**, but implementations are permitted to extend the syntax of **with-package-iterator** by recognizing additional symbol accessibility types. An error is signaled if no *symbol-type* is supplied, or if any supplied *symbol-type* is not recognized by the implementation.

The order in which symbols are produced by successive invocations of the generator macro is not necessarily correlated in any way with the order of the packages in the *package-list*. When more than one package is in the *package-list*, symbols accessible from more than one package may be produced once or more than once. Even when only one package is specified, symbols inherited in multiple ways via used packages may be produced once or more than once.

The implicit interior state of the iteration over the list of packages and the symbols within them has dynamic extent. It is an error to invoke the generator macro once the **with-package-iterator** form has been exited.

Any number of invocations of **with-package-iterator** and related macros may be nested, and the generator macro of an outer invocation may be called from within an inner invocation (provided, of course, that its name is visible or otherwise made available).

X3J13 voted in January 1989 to restrict user side effects; see section 7.9.

---

**Rationale:** This facility is a bit more flexible in some ways than **do-symbols** and friends. In particular, it makes it possible to implement **loop** clauses for iterating over packages in a way that is both portable and efficient (see chapter 26).

---





# Chapter 12

## Numbers

Common Lisp provides several different representations for numbers. These representations may be divided into four categories: integers, ratios, floating-point numbers, and complex numbers. Many numeric functions will accept any kind of number; they are *generic*. Other functions accept only certain kinds of numbers.

Note that this remark, predating the design of the Common Lisp Object System, uses the term “generic” in a generic sense and not necessarily in the technical sense used by CLOS (see chapter 2).

In general, numbers in Common Lisp are not true objects; `eq` cannot be counted upon to operate on them reliably. In particular, it is possible that the expression

```
(let ((x z) (y z)) (eq x y))
```

may be false rather than true if the value of `z` is a number.

---

**Rationale:** This odd breakdown of `eq` in the case of numbers allows the implementor enough design freedom to produce exceptionally efficient numerical code on conventional architectures. MacLisp requires this freedom, for example, in order to produce compiled numerical code equal in speed to Fortran. Common Lisp makes this same restriction, if not for this freedom, then at least for the sake of compatibility.

---

If two objects are to be compared for “identity,” but either might be a number, then the predicate `eql` is probably appropriate; if both objects are known to be numbers, then `=` may be preferable.

## 12.1 Precision, Contagion, and Coercion

In general, computations with floating-point numbers are only approximate. The *precision* of a floating-point number is not necessarily correlated at all with the *accuracy* of that number. For instance, 3.142857142857142857 is a more precise approximation to  $\pi$  than 3.14159, but the latter is more accurate. The precision refers to the number of bits retained in the representation. When an operation combines a short floating-point number with a long one, the result will be a long floating-point number. This rule is made to ensure that as much accuracy as possible is preserved; however, it is by no means a guarantee. Common Lisp numerical routines do assume, however, that the accuracy of an argument does not exceed its precision. Therefore when two small floating-point numbers are combined, the result will always be a small floating-point number. This assumption can be overridden by first explicitly converting a small floating-point number to a larger representation. (Common Lisp never converts automatically from a larger size to a smaller one.)

Rational computations cannot overflow in the usual sense (though of course there may not be enough storage to represent one), as integers and ratios may in principle be of any magnitude. Floating-point computations may get exponent overflow or underflow; this is an error.

X3J13 voted in June 1989 to address certain problems relating to floating-point overflow and underflow, but certain parts of the proposed solution were not adopted, namely to add the macro **without-floating-underflow-traps** to the language and to require certain behavior of floating-point overflow and underflow. The committee agreed that this area of the language requires more discussion before a solution is standardized.

For the record, the proposal that was considered and rejected (for the nonce) introduced a macro **without-floating-underflow-traps** that would execute its body in such a way that, within its dynamic extent, a floating-point underflow must not signal an error but instead must produce either a denormalized number or zero as the result. The rejected proposal also specified the following treatment of overflow and underflow:

- A floating-point computation that overflows should signal an error of type **floating-point-overflow**.
- Unless the dynamic extent of a use of **without-floating-underflow-traps**, a floating-point computation that underflows should signal an

error of type **floating-point-underflow**. A result that can be represented only in denormalized form must be considered an underflow in implementations that support denormalized floating-point numbers.

These points refer to conditions **floating-point-overflow** and **floating-point-underflow** that were approved by X3J13 and are described in section 29.5.

When rational and floating-point numbers are compared or combined by a numerical function, the rule of *floating-point contagion* is followed: when a rational meets a floating-point number, the rational is first converted to a floating-point number of the same format. For functions such as `+` that take more than two arguments, it may be that part of the operation is carried out exactly using rationals and then the rest is done using floating-point arithmetic.

X3J13 voted in January 1989 to apply the rule of floating-point contagion stated above to the case of *combining* rational and floating-point numbers. For *comparing*, the following rule is to be used instead: When a rational number and a floating-point number are to be compared by a numerical function, in effect the floating-point number is first converted to a rational number as if by the function **rational**, and then an exact comparison of two rational numbers is performed. It is of course valid to use a more efficient implementation than actually calling the function **rational**, as long as the result of the comparison is the same. In the case of complex numbers, the real and imaginary parts are handled separately.

---

**Rationale:** In general, accuracy cannot be preserved in combining operations, but it can be preserved in comparisons, and preserving it makes that part of Common Lisp algebraically a bit more tractable. In particular, this change prevents the breakdown of transitivity. Let **a** be the result of `(/ 10.0 single-float-epsilon)`, and let **j** be the result of `(floor a)`. (Note that `(= a (+ a 1.0))` is true, by the definition of **single-float-epsilon**.) Under the old rules, all of `(<= a j)`, `(< j (+ j 1))`, and `(<= (+ j 1) a)` would be true; transitivity would then imply that `(< a a)` ought to be true, but of course it is false, and therefore transitivity fails. Under the new rule, however, `(<= (+ j 1) a)` is false.

---

For functions that are mathematically associative (and possibly commutative), a Common Lisp implementation may process the arguments in any

manner consistent with associative (and possibly commutative) rearrangement. This does not affect the order in which the argument forms are evaluated, of course; that order is always left to right, as in all Common Lisp function calls. What is left loose is the order in which the argument values are processed. The point of all this is that implementations may differ in which automatic coercions are applied because of differing orders of argument processing. As an example, consider this expression:

```
(+ 1/3 2/3 1.0D0 1.0 1.0E-15)
```

One implementation might process the arguments from left to right, first adding  $1/3$  and  $2/3$  to get  $1$ , then converting that to a double-precision floating-point number for combination with  $1.0D0$ , then successively converting and adding  $1.0$  and  $1.0E-15$ . Another implementation might process the arguments from right to left, first performing a single-precision floating-point addition of  $1.0$  and  $1.0E-15$  (and probably losing some accuracy in the process!), then converting the sum to double precision and adding  $1.0D0$ , then converting  $2/3$  to double-precision floating-point and adding it, and then converting  $1/3$  and adding that. A third implementation might first scan all the arguments, process all the rationals first to keep that part of the computation exact, then find an argument of the largest floating-point format among all the arguments and add that, and then add in all other arguments, converting each in turn (all in a perhaps misguided attempt to make the computation as accurate as possible). In any case, all three strategies are legitimate. The user can of course control the order of processing explicitly by writing several calls; for example:

```
(+ (+ 1/3 2/3) (+ 1.0D0 1.0E-15) 1.0)
```

The user can also control all coercions simply by writing calls to coercion functions explicitly.

In general, then, the type of the result of a numerical function is a floating-point number of the largest format among all the floating-point arguments to the function; but if the arguments are all rational, then the result is rational (except for functions that can produce mathematically irrational results, in which case a single-format floating-point number may result).

There is a separate rule of complex contagion. As a rule, complex numbers never result from a numerical function unless one or more of the arguments is complex. (Exceptions to this rule occur among the irrational and transcendental functions, specifically **expt**, **log**, **sqrt**, **asin**, **acos**, **acosh**, and

**atanh**; see section 12.5.) When a non-complex number meets a complex number, the non-complex number is in effect first converted to a complex number by providing an imaginary part of zero.

If any computation produces a result that is a ratio of two integers such that the denominator evenly divides the numerator, then the result is immediately converted to the equivalent integer. This is called the rule of *rational canonicalization*.

If the result of any computation would be a complex rational with a zero imaginary part, the result is immediately converted to a non-complex rational number by taking the real part. This is called the rule of *complex canonicalization*. Note that this rule does *not* apply to complex numbers whose components are floating-point numbers. Whereas **#C(5 0)** and **5** are not distinct values in Common Lisp (they are always **eq1**), **#C(5.0 0.0)** and **5.0** are always distinct values in Common Lisp (they are never **eq1**, although they are **equalp**).

## 12.2 Predicates on Numbers

Each of the following functions tests a single number for a specific property. Each function requires that its argument be a number; to call one with a non-number is an error.

[Function] **zerop** *number*

This predicate is true if *number* is zero (the integer zero, a floating-point zero, or a complex zero), and is false otherwise. Regardless of whether an implementation provides distinct representations for positive and negative floating-point zeros, (**zerop -0.0**) is always true. It is an error if the argument *number* is not a number.

[Function] **plusp** *number*

This predicate is true if *number* is strictly greater than zero, and is false otherwise. It is an error if the argument *number* is not a non-complex number.

*[Function]* **minusp** *number*

This predicate is true if *number* is strictly less than zero, and is false otherwise. Regardless of whether an implementation provides distinct representations for positive and negative floating-point zeros, (**minusp -0.0**) is always false. (The function **float-sign** may be used to distinguish a negative zero.) It is an error if the argument *number* is not a non-complex number.

*[Function]* **oddp** *integer*

This predicate is true if the argument *integer* is odd (not divisible by 2), and otherwise is false. It is an error if the argument is not an integer.

*[Function]* **evenp** *integer*

This predicate is true if the argument *integer* is even (divisible by 2), and otherwise is false. It is an error if the argument is not an integer.

See also the data-type predicates **integerp**, **rationalp**, **floatp**, **complexp**, and **numberp**.

## 12.3 Comparisons on Numbers

Each of the functions in this section requires that its arguments all be numbers; to call one with a non-number is an error. Unless otherwise specified, each works on all types of numbers, automatically performing any required coercions when arguments are of different types.

*[Function]* **=** *number &rest more-numbers*

*[Function]* **/=** *number &rest more-numbers*

*[Function]* **<** *number &rest more-numbers*

*[Function]* **>** *number &rest more-numbers*

*[Function]* **<=** *number &rest more-numbers*

*[Function]* **>=** *number &rest more-numbers*

These functions each take one or more arguments. If the sequence of arguments satisfies a certain condition:

**=**           all the same

**/=**          all different

<	monotonically increasing
>	monotonically decreasing
<=	monotonically nondecreasing
>=	monotonically nonincreasing

then the predicate is true, and otherwise is false. Complex numbers may be compared using `=` and `/=`, but the others require non-complex arguments. Two complex numbers are considered equal by `=` if their real parts are equal and their imaginary parts are equal according to `=`. A complex number may be compared with a non-complex number with `=` or `/=`. For example:

<code>(= 3 3)</code> is true.	<code>(/= 3 3)</code> is false.
<code>(= 3 5)</code> is false.	<code>(/= 3 5)</code> is true.
<code>(= 3 3 3 3)</code> is true.	<code>(/= 3 3 3 3)</code> is false.
<code>(= 3 3 5 3)</code> is false.	<code>(/= 3 3 5 3)</code> is false.
<code>(= 3 6 5 2)</code> is false.	<code>(/= 3 6 5 2)</code> is true.
<code>(= 3 2 3)</code> is false.	<code>(/= 3 2 3)</code> is false.
<code>(&lt; 3 5)</code> is true.	<code>(&lt;= 3 5)</code> is true.
<code>(&lt; 3 -5)</code> is false.	<code>(&lt;= 3 -5)</code> is false.
<code>(&lt; 3 3)</code> is false.	<code>(&lt;= 3 3)</code> is true.
<code>(&lt; 0 3 4 6 7)</code> is true.	<code>(&lt;= 0 3 4 6 7)</code> is true.
<code>(&lt; 0 3 4 4 6)</code> is false.	<code>(&lt;= 0 3 4 4 6)</code> is true.
<code>(&gt; 4 3)</code> is true.	<code>(&gt;= 4 3)</code> is true.
<code>(&gt; 4 3 2 1 0)</code> is true.	<code>(&gt;= 4 3 2 1 0)</code> is true.
<code>(&gt; 4 3 3 2 0)</code> is false.	<code>(&gt;= 4 3 3 2 0)</code> is true.
<code>(&gt; 4 3 1 2 0)</code> is false.	<code>(&gt;= 4 3 1 2 0)</code> is false.
<code>(= 3)</code> is true.	<code>(/= 3)</code> is true.
<code>(&lt; 3)</code> is true.	<code>(&lt;= 3)</code> is true.
<code>(= 3.0 #C(3.0 0.0))</code> is true.	<code>(/= 3.0 #C(3.0 1.0))</code> is true.
<code>(= 3 3.0)</code> is true.	<code>(= 3.0s0 3.0d0)</code> is true.
<code>(= 0.0 -0.0)</code> is true.	<code>(= 5/2 2.5)</code> is true.
<code>(&gt; 0.0 -0.0)</code> is false.	<code>(= 0 -0.0)</code> is true.

With two arguments, these functions perform the usual arithmetic comparison tests. With three or more arguments, they are useful for range checks, as shown in the following example:

<code>(&lt;= 0 x 9)</code>	;true if <b>x</b> is between 0 and 9, inclusive
<code>(&lt; 0.0 x 1.0)</code>	;true if <b>x</b> is between 0.0 and 1.0, exclusive

```
(< -1 j (length s))           ;true if j is a valid index for s
(<= 0 j k (- (length s) 1))   ;true if j and k are each valid
                               ;indices for s and j ≤ k
```

---

**Rationale:** The “inequality” relation is called `/=` rather than `<>` (the name used in Pascal) for two reasons. First, `/=` of more than two arguments is not the same as the `or` of `<` and `>` of those same arguments. Second, inequality is meaningful for complex numbers even though `<` and `>` are not. For both reasons it would be misleading to associate inequality with the names of `<` and `>`.

---

*[Function]* **max** *number &rest more-numbers*

*[Function]* **min** *number &rest more-numbers*

The arguments may be any non-complex numbers. **max** returns the argument that is greatest (closest to positive infinity). **min** returns the argument that is least (closest to negative infinity).

For **max**, if the arguments are a mixture of rationals and floating-point numbers, and the largest argument is a rational, then the implementation is free to produce either that rational or its floating-point approximation; if the largest argument is a floating-point number of a smaller format than the largest format of any floating-point argument, then the implementation is free to return the argument in its given format or expanded to the larger format. More concisely, the implementation has the choice of returning the largest argument as is or applying the rules of floating-point contagion, taking all the arguments into consideration for contagion purposes. Also, if two or more of the arguments are equal, then any one of them may be chosen as the value to return. Similar remarks apply to **min** (replacing “largest argument” by “smallest argument”).

`(max 6 12) ⇒ 12`

`(max -6 -12) ⇒ -6`

`(max 1 3 2 -7) ⇒ 3`

`(max -2 3 0 7) ⇒ 7`

`(max 3) ⇒ 3`

`(max 5.0 2) ⇒ 5.0`

`(max 3.0 7 1) ⇒ 7 or 7.0`

`(max 1.0s0 7.0d0) ⇒ 7.0d0`

`(min 6 12) ⇒ 6`

`(min -6 -12) ⇒ -12`

`(min 1 3 2 -7) ⇒ -7`

`(min -2 3 0 7) ⇒ -2`

`(min 3) ⇒ 3`

`(min 5.0 2) ⇒ 2 or 2.0`

`(min 3.0 7 1) ⇒ 1 or 1.0`



(min 1.0s0 7.0d0)  $\Rightarrow$  1.0s0 *or* 1.0d0  
 (max 3 1 1.0s0 1.0d0)  $\Rightarrow$  3 *or* 3.0d0  
 (min 3 1 1.0s0 1.0d0)  $\Rightarrow$  1 *or* 1.0s0 *or* 1.0d0

## 12.4 Arithmetic Operations

Each of the functions in this section requires that its arguments all be numbers; to call one with a non-number is an error. Unless otherwise specified, each works on all types of numbers, automatically performing any required coercions when arguments are of different types.

*[Function]* + **&rest** *numbers*

This returns the sum of the arguments. If there are no arguments, the result is **0**, which is an identity for this operation.

*[Function]* - *number* **&rest** *more-numbers*

The function -, when given one argument, returns the negative of that argument.

The function -, when given more than one argument, successively subtracts from the first argument all the others, and returns the result. For example, (- 3 4 5)  $\Rightarrow$  -6.

*[Function]* \* **&rest** *numbers*

This returns the product of the arguments. If there are no arguments, the result is **1**, which is an identity for this operation.

*[Function]* / *number* **&rest** *more-numbers*

The function /, when given more than one argument, successively divides the first argument by all the others and returns the result.

It is generally accepted that it is an error for any argument other than the first to be zero.

With one argument, / reciprocates the argument.

It is generally accepted that it is an error in this case for the argument to be zero.

/ will produce a ratio if the mathematical quotient of two integers is not an exact integer. For example:

```
(/ 12 4) ⇒ 3
(/ 13 4) ⇒ 13/4
(/ -8) ⇒ -1/8
(/ 3 4 5) ⇒ 3/20
```

To divide one integer by another producing an integer result, use one of the functions **floor**, **ceiling**, **truncate**, or **round**.

If any argument is a floating-point number, then the rules of floating-point contagion apply.

```
[Function] 1+ number
[Function] 1- number
```

**(1+ x)** is the same as **(+ x 1)**.

**(1- x)** is the same as **(- x 1)**. Note that the short name may be confusing: **(1- x)** does *not* mean  $1 - x$ ; rather, it means  $x - 1$ .

---

**Implementation note:** Compiler writers are very strongly encouraged to ensure that **(1+ x)** and **(+ x 1)** compile into identical code, and similarly for **(1- x)** and **(- x 1)**, to avoid pressure on a Lisp programmer to write possibly less clear code for the sake of efficiency. This can easily be done as a source-language transformation.

---

```
[Macro] incf place [delta]
[Macro] decf place [delta]
```

The number produced by the form *delta* is added to (**incf**) or subtracted from (**decf**) the number in the generalized variable named by *place*, and the sum is stored back into *place* and returned. The form *place* may be any form acceptable as a generalized variable to **setf**. If *delta* is not supplied, then the number in *place* is changed by **1**. For example:

```
(setq n 0)
(incf n) ⇒ 1           and now n ⇒ 1
(decf n 3) ⇒ -2        and now n ⇒ -2
(decf n -5) ⇒ 3        and now n ⇒ 3
(decf n) ⇒ 2           and now n ⇒ 2
```

The effect of **(incf place delta)** is roughly equivalent to

```
(setf place (+ place delta))
```

except that the latter would evaluate any subforms of *place* twice, whereas **incf** takes care to evaluate them only once. Moreover, for certain *place* forms **incf** may be significantly more efficient than the **setf** version. X3J13 voted in March 1988 to clarify order of evaluation (see section 7.2).

*[Function]* **conjugate** *number*

This returns the complex conjugate of *number*. The conjugate of a non-complex number is itself. For a complex number **z**,

(conjugate **z**)  $\equiv$  (complex (realpart **z**) (- (imagpart **z**)))

For example:

(conjugate #C(3/5 4/5))  $\Rightarrow$  #C(3/5 -4/5)  
 (conjugate #C(0.0D0 -1.0D0))  $\Rightarrow$  #C(0.0D0 1.0D0)  
 (conjugate 3.7)  $\Rightarrow$  3.7

*[Function]* **gcd** &rest *integers*

This returns the greatest common divisor of all the arguments, which must be integers. The result of **gcd** is always a non-negative integer. If one argument is given, its absolute value is returned. If no arguments are given, **gcd** returns **0**, which is an identity for this operation. For three or more arguments,

(gcd *a b c ... z*)  $\equiv$  (gcd (gcd *a b*) *c ... z*)

Here are some examples of the use of **gcd**:

(gcd 91 -49)  $\Rightarrow$  7  
 (gcd 63 -42 35)  $\Rightarrow$  7  
 (gcd 5)  $\Rightarrow$  5  
 (gcd -4)  $\Rightarrow$  4  
 (gcd)  $\Rightarrow$  0

*[Function]* **lcm** *integer* &rest *more-integers*

This returns the least common multiple of its arguments, which must be integers. The result of **lcm** is always a non-negative integer. For two arguments that are not both zero,

$(\text{lcm } a \ b) \equiv (/ (\text{abs } (* \ a \ b)) (\text{gcd } a \ b))$

If one or both arguments are zero,

$(\text{lcm } a \ 0) \equiv (\text{lcm } 0 \ a) \equiv 0$

For one argument, **lcm** returns the absolute value of that argument. For three or more arguments,

$(\text{lcm } a \ b \ c \ \dots \ z) \equiv (\text{lcm } (\text{lcm } a \ b) \ c \ \dots \ z)$

Some examples:

$(\text{lcm } 14 \ 35) \Rightarrow 70$

$(\text{lcm } 0 \ 5) \Rightarrow 0$

$(\text{lcm } 1 \ 2 \ 3 \ 4 \ 5 \ 6) \Rightarrow 60$

**(lcm)**  $\Rightarrow$  1.

**(lcm)** ought to have been defined to return 1.

## 12.5 Irrational and Transcendental Functions

Common Lisp provides no data type that can accurately represent irrational numerical values. The functions in this section are described as if the results were mathematically accurate, but actually they all produce floating-point approximations to the true mathematical result in the general case. In some places mathematical identities are set forth that are intended to elucidate the meanings of the functions; however, two mathematically identical expressions may be computationally different because of errors inherent in the floating-point approximation process.

When the arguments to a function in this section are all rational and the true mathematical result is also (mathematically) rational, then unless otherwise noted an implementation is free to return either an accurate result of type **rational** or a single-precision floating-point approximation. If the arguments are all rational but the result cannot be expressed as a rational number, then a single-precision floating-point approximation is always returned.

If the arguments to a function are all of type (**or rational (complex rational)**) and the true mathematical result is (mathematically) a complex

number with rational real and imaginary parts, then unless otherwise noted an implementation is free to return either an accurate result of type (**or rational (complex rational)**) or a single-precision floating-point approximation of type **single-float** (permissible only if the imaginary part of the true mathematical result is zero) or (**complex single-float**). If the arguments are all of type (**or rational (complex rational)**) but the result cannot be expressed as a rational or complex rational number, then the returned value will be of type **single-float** (permissible only if the imaginary part of the true mathematical result is zero) or (**complex single-float**).

The rules of floating-point contagion and complex contagion are effectively obeyed by all the functions in this section except **expt**, which treats some cases of rational exponents specially. When, possibly after contagious conversion, all of the arguments are of the same floating-point or complex floating-point type, then the result will be of that same type unless otherwise noted.

---

**Implementation note:** There is a “floating-point cookbook” by Cody and Waite [14] that may be a useful aid in implementing the functions defined in this section.

---

### 12.5.1 Exponential and Logarithmic Functions

Along with the usual one-argument and two-argument exponential and logarithm functions, **sqrt** is considered to be an exponential function, because it raises a number to the power 1/2.

*[Function]* **exp** *number*

Returns  $e$  raised to the power *number*, where  $e$  is the base of the natural logarithms.

*[Function]* **expt** *base-number power-number*

Returns *base-number* raised to the power *power-number*. If the *base-number* is of type **rational** and the *power-number* is an **integer**, the calculation will be exact and the result will be of type **rational**; otherwise a floating-point approximation may result.

X3J13 voted in March 1989 to clarify that provisions similar to those of the previous paragraph apply to complex numbers. If the *base-number*

is of type (**complex rational**) and the *power-number* is an **integer**, the calculation will also be exact and the result will be of type (**or rational (complex rational)**); otherwise a floating-point or complex floating-point approximation may result.

When *power-number* is **0** (a zero of type integer), then the result is always the value 1 in the type of *base-number*, even if the *base-number* is zero (of any type). That is:

$$(\text{expt } x \ 0) \equiv (\text{coerce } 1 \ (\text{type-of } x))$$

If the *power-number* is a zero of any other data type, then the result is also the value 1, in the type of the arguments after the application of the contagion rules, with one exception: it is an error if *base-number* is zero when the *power-number* is a zero not of type integer.

Implementations of **expt** are permitted to use different algorithms for the cases of a rational *power-number* and a floating-point *power-number*; the motivation is that in many cases greater accuracy can be achieved for the case of a rational *power-number*. For example, (**expt pi 16**) and (**expt pi 16.0**) may yield slightly different results if the first case is computed by repeated squaring and the second by the use of logarithms. Similarly, an implementation might choose to compute (**expt x 3/2**) as if it had been written (**sqrt (expt x 3)**), perhaps producing a more accurate result than would (**expt x 1.5**). It is left to the implementor to determine the best strategies.

The result of **expt** can be a complex number, even when neither argument is complex, if *base-number* is negative and *power-number* is not an integer. The result is always the principal complex value. Note that (**expt -8 1/3**) is not permitted to return **-2**; while **-2** is indeed one of the cube roots of **-8**, it is not the principal cube root, which is a complex number approximately equal to **#C(1.0 1.73205)**.

[Function] **log** *number* &optional *base*

Returns the logarithm of *number* in the base *base*, which defaults to *e*, the base of the natural logarithms. For example:

$$\begin{aligned} (\text{log } 8.0 \ 2) &\Rightarrow 3.0 \\ (\text{log } 100.0 \ 10) &\Rightarrow 2.0 \end{aligned}$$

The result of **(log 8 2)** may be either **3** or **3.0**, depending on the implementation.

Note that **log** may return a complex result when given a non-complex argument if the argument is negative. For example:

`(log -1.0) ≡ (complex 0.0 (float pi 0.0))`

X3J13 voted in January 1989 to specify certain floating-point behavior when minus zero is supported. As a part of that vote it approved a mathematical definition of complex logarithm in terms of real logarithm, absolute value, arc tangent of two real arguments, and the phase function as

Logarithm  $\log |z| + i \text{phase } z$

This specifies the branch cuts precisely whether minus zero is supported or not; see **phase** and **atan**.

*[Function]* **sqrt** *number*

Returns the principal square root of *number*. If the *number* is not complex but is negative, then the result will be a complex number. For example:

`(sqrt 9.0) ⇒ 3.0`  
`(sqrt -9.0) ⇒ #c(0.0 3.0)`

The result of **(sqrt 9)** may be either **3** or **3.0**, depending on the implementation. The result of **(sqrt -9)** may be either **#c(0 3)** or **#c(0.0 3.0)**.

X3J13 voted in January 1989 to specify certain floating-point behavior when minus zero is supported. As a part of that vote it approved a mathematical definition of complex square root in terms of complex logarithm and exponential functions as

Square root  $e^{(\log z)/2}$

This specifies the branch cuts precisely whether minus zero is supported or not; see **phase** and **atan**.

*[Function]* **isqrt** *integer*

Integer square root: the argument must be a non-negative integer, and the result is the greatest integer less than or equal to the exact positive square root of the argument. For example:

```
(isqrt 9) ⇒ 3
(isqrt 12) ⇒ 3
(isqrt 300) ⇒ 17
(isqrt 325) ⇒ 18
```

## 12.5.2 Trigonometric and Related Functions

Some of the functions in this section, such as **abs** and **signum**, are apparently unrelated to trigonometric functions when considered as functions of real numbers only. The way in which they are extended to operate on complex numbers makes the trigonometric connection clear.

*[Function]* **abs** *number*

Returns the absolute value of the argument. For a non-complex number  $x$ ,

```
(abs  $x$ ) ≡ (if (minusp  $x$ ) (-  $x$ )  $x$ )
```

and the result is always of the same type as the argument.

For a complex number  $z$ , the absolute value may be computed as

```
(sqrt (+ (expt (realpart  $z$ ) 2) (expt (imagpart  $z$ ) 2)))
```

---

**Implementation note:** The careful implementor will not use this formula directly for all complex numbers but will instead handle very large or very small components specially to avoid intermediate overflow or underflow.

---

For example:

```
(abs #c(3.0 -4.0)) ⇒ 5.0
```

The result of **(abs #c(3 4))** may be either **5** or **5.0**, depending on the implementation.

*[Function]* **phase** *number*

The phase of a number is the angle part of its polar representation as a complex number. That is,



(phase  $z$ )  $\equiv$  (atan (imagpart  $z$ ) (realpart  $z$ ))

X3J13 voted in January 1989 to specify certain floating-point behavior when minus zero is supported; **phase** is still defined in terms of **atan** as above, but thanks to a change in **atan** the range of **phase** becomes  $-\pi$  *inclusive* to  $\pi$  inclusive. The value  $-\pi$  results from an argument whose real

part is negative and whose imaginary part is minus zero. The **phase** function therefore has a branch cut along the negative real axis. The phase of  $+0 + 0i$  is  $+0$ , of  $+0 - 0i$  is  $-0$ , of  $-0 + 0i$  is  $+\pi$ , and of  $-0 - 0i$  is  $-\pi$ .

If the argument is a complex floating-point number, the result is a floating-point number of the same type as the components of the argument. If the argument is a floating-point number, the result is a floating-point number of the same type. If the argument is a rational number or complex rational number, the result is a single-format floating-point number.

*[Function]* **signum** *number*

By definition,

$$(\text{signum } x) \equiv (\text{if } (\text{zerop } x) \ x \ (/ \ x \ (\text{abs } x)))$$

For a rational number, **signum** will return one of **-1**, **0**, or **1** according to whether the number is negative, zero, or positive. For a floating-point number, the result will be a floating-point number of the same format whose value is  $-1$ ,  $0$ , or  $1$ . For a complex number  $z$ , (**signum**  $z$ ) is a complex number of the same phase but with unit magnitude, unless  $z$  is a complex zero, in which case the result is  $z$ . For example:

$$\begin{aligned} (\text{signum } 0) &\Rightarrow 0 \\ (\text{signum } -3.7\text{L}5) &\Rightarrow -1.0\text{L}0 \\ (\text{signum } 4/5) &\Rightarrow 1 \\ (\text{signum } \#\text{C}(7.5 \ 10.0)) &\Rightarrow \#\text{C}(0.6 \ 0.8) \\ (\text{signum } \#\text{C}(0.0 \ -14.7)) &\Rightarrow \#\text{C}(0.0 \ -1.0) \end{aligned}$$

For non-complex rational numbers, **signum** is a rational function, but it may be irrational for complex arguments.

*[Function]* **sin** *radians*

*[Function]* **cos** *radians*

*[Function]* **tan** *radians*

**sin** returns the sine of the argument, **cos** the cosine, and **tan** the tangent. The argument is in radians. The argument may be complex.

[Function] **cis** radians

This computes  $e^{i \cdot \text{radians}}$ . The name **cis** means “cos +  $i$  sin,” because  $e^{i\theta} = \cos \theta + i \sin \theta$ . The argument is in radians and may be any non-complex number. The result is a complex number whose real part is the cosine of the argument and whose imaginary part is the sine. Put another way, the result is a complex number whose phase is the equal to the argument (mod  $2\pi$ ) and whose magnitude is unity.

---

**Implementation note:** Often it is cheaper to calculate the sine and cosine of a single angle together than to perform two disjoint calculations.

---

[Function] **asin** number

[Function] **acos** number

**asin** returns the arc sine of the argument, and **acos** the arc cosine. The result is in radians. The argument may be complex.

The arc sine and arc cosine functions may be defined mathematically for an argument  $z$  as follows:

$$\begin{array}{ll} \text{Arc sine} & -i \log \left( iz + \sqrt{1 - z^2} \right) \\ \text{Arc cosine} & -i \log \left( z + i\sqrt{1 - z^2} \right) \end{array}$$

Note that the result of **asin** or **acos** may be complex even if the argument is not complex; this occurs when the absolute value of the argument is greater than 1.

Kahan [25] suggests for **acos** the defining formula

$$\text{Arc cosine} \quad \frac{2 \log \left( \sqrt{\frac{1+z}{2}} + i\sqrt{\frac{1-z}{2}} \right)}{i}$$

or even the much simpler  $(\pi/2) - \arcsin z$ . Both equations are mathematically equivalent to the formula shown above.

---

**Implementation note:** These formulae are mathematically correct, assuming completely accurate computation. They may be terrible methods for floating-point computation. Implementors should consult a good text on numerical analysis. The formulae given above are not necessarily the simplest ones for real-valued computations, either; they are chosen to define the branch cuts in desirable ways for the complex case.

---

[Function] **atan** *y* &optional *x*

An arc tangent is calculated and the result is returned in radians.

With two arguments *y* and *x*, neither argument may be complex. The result is the arc tangent of the quantity  $y/x$ . The signs of *y* and *x* are used to derive quadrant information; moreover, *x* may be zero provided *y* is not zero. The value of **atan** is always between  $-\pi$  (exclusive) and  $\pi$  (inclusive). The following table details various special cases.

Condition		Cartesian Locus	Range of Result
$y = +0$	$x > 0$	Just above positive x-axis	$+0$
$y > 0$	$x > 0$	Quadrant I	$+0 < result < \pi/2$
$y > 0$	$x = \pm 0$	Positive y-axis	$\pi/2$
$y > 0$	$x < 0$	Quadrant II	$\pi/2 < result < \pi$
$y = +0$	$x < 0$	Just below negative x-axis	$\pi$
$y = -0$	$x < 0$	Just above negative x-axis	$\pi$
$y < 0$	$x < 0$	Quadrant III	$-\pi < result < -\pi/2$
$y < 0$	$x = \pm 0$	Negative y-axis	$-\pi/2$
$y < 0$	$x > 0$	Quadrant IV	$-\pi/2 < result < -0$
$y = -0$	$x > 0$	Just below positive x-axis	$-0$
$y = +0$	$x = +0$	Near origin	$+0$
$y = -0$	$x = +0$	Near origin	$-0$
$y = +0$	$x = -0$	Near origin	$\pi$
$y = -0$	$x = -0$	Near origin	$-\pi$

Note that the case  $y = 0, x = 0$  is an error in the absence of minus zero, but the four cases  $y = \pm 0, x = \pm 0$  are defined in the presence of minus zero.

With only one argument *y*, the argument may be complex. The result is the arc tangent of *y*, which may be defined by the following formula:

$$\text{Arc tangent} \quad \frac{\log(1+iy) - \log(1-iy)}{2i}$$

---

**Implementation note:** This formula is mathematically correct, assuming completely accurate computation. It may be a terrible method for floating-point computation. Implementors should consult a good text on numerical analysis. The formula given above is not necessarily the simplest one for real-valued computations, either; it is chosen to define the branch cuts in desirable ways for the complex case.

---

For a non-complex argument  $y$ , the result is non-complex and lies between  $-\pi/2$  and  $\pi/2$  (both exclusive).

[Constant] **pi**

This global variable has as its value the best possible approximation to  $\pi$  in *long* floating-point format. For example:

```
(defun sind (x) ;The argument is in degrees
  (sin (* x (/ (float pi x) 180))))
```

An approximation to  $\pi$  in some other precision can be obtained by writing (**float pi x**), where  $x$  is a floating-point number of the desired precision, or by writing (**coerce pi type**), where *type* is the name of the desired type, such as **short-float**.

[Function] **sinh** number

[Function] **cosh** number

[Function] **tanh** number

[Function] **asinh** number

[Function] **acosh** number

[Function] **atanh** number

These functions compute the hyperbolic sine, cosine, tangent, arc sine, arc cosine, and arc tangent functions, which are mathematically defined for an argument  $z$  as follows:

Hyperbolic sine	$(e^z - e^{-z})/2$
Hyperbolic cosine	$(e^z + e^{-z})/2$
Hyperbolic tangent	$(e^z - e^{-z})/(e^z + e^{-z})$
Hyperbolic arc sine	$\log(z + \sqrt{1 + z^2})$
Hyperbolic arc cosine	$\log(z + (z + 1)\sqrt{(z - 1)/(z + 1)})$
Hyperbolic arc tangent	$\log((1 + z)\sqrt{1/(1 - z^2)})$

Note that the result of **acosh** may be complex even if the argument is not complex; this occurs when the argument is less than 1. Also, the result of **atanh** may be complex even if the argument is not complex; this occurs when the absolute value of the argument is greater than 1.

---

**Implementation note:** These formulae are mathematically correct, assuming completely accurate computation. They may be terrible methods for floating-point computation. Implementors should consult a good text on numerical analysis. The formulae given above are not necessarily the simplest ones for real-valued computations, either; they are chosen to define the branch cuts in desirable ways for the complex case.

---

### 12.5.3 Branch Cuts, Principal Values, and Boundary Conditions in the Complex Plane

Many of the irrational and transcendental functions are multiply defined in the complex domain; for example, there are in general an infinite number of complex values for the logarithm function. In each such case, a principal value must be chosen for the function to return. In general, such values cannot be chosen so as to make the range continuous; lines in the domain called *branch cuts* must be defined, which in turn define the discontinuities in the range.

Common Lisp defines the branch cuts, principal values, and boundary conditions for the complex functions following a proposal for complex functions in APL [36]. The contents of this section are borrowed largely from that proposal.

Indeed, X3J13 voted in January 1989 to alter the direction of continuity for the branch cuts of **atan**, and also to address the treatment of branch cuts in implementations that have a distinct floating-point minus zero.

The treatment of minus zero centers in two-argument **atan**. If there is no minus zero, then the branch cut runs just below the negative real axis as before, and the range of two-argument **atan** is  $(-\pi, \pi]$ . If there is a minus zero, however, then the branch cut runs precisely on the negative real axis, skittering between pairs of numbers of the form  $-x \pm 0i$ , and the range of two-argument **atan** is  $[-\pi, \pi]$ .

The treatment of minus zero by all other irrational and transcendental functions is then specified by defining those functions in terms of two-argument **atan**. First, **phase** is defined in terms of two-argument **atan**, and complex **abs** in terms of real **sqrt**; then complex **log** is defined in terms of **phase**, **abs**, and real **log**; then complex **sqrt** in terms of complex **log**; and finally all others are defined in terms of these.

Kahan [25] treats these matters in some detail and also suggests specific algorithms for implementing irrational and transcendental functions in IEEE standard floating-point arithmetic [23].

Remarks in the first edition about the direction of the continuity of branch cuts continue to hold in the absence of minus zero and may be ignored if minus zero is supported; since all branch cuts happen to run along the principal axes, they run *between* plus zero and minus zero, and so each sort of zero is associated with the obvious quadrant.

**sqrt** The branch cut for square root lies along the negative real axis, continuous with quadrant II. The range consists of the right half-plane, including the non-negative imaginary axis and excluding the negative imaginary axis.

X3J13 voted in January 1989 to specify certain floating-point behavior when minus zero is supported. As a part of that vote it approved a mathematical definition of complex square root:

$$\sqrt{z} = e^{(\log z)/2}$$

This defines the branch cuts precisely, whether minus zero is supported or not.

**phase** The branch cut for the phase function lies along the negative real axis, continuous with quadrant II. The range consists of that portion of the real axis between  $-\pi$  (exclusive) and  $\pi$  (inclusive).

X3J13 voted in January 1989 to specify certain floating-point behavior when minus zero is supported. As a part of that vote it approved a mathematical definition of phase:

$$\text{phase } z = \arctan(\Im z, \Re z)$$

where  $\Im z$  is the imaginary part of  $z$  and  $\Re z$  the real part of  $z$ . This defines the branch cuts precisely, whether minus zero is supported or not.

**log** The branch cut for the logarithm function of one argument (natural logarithm) lies along the negative real axis, continuous with quadrant II. The domain excludes the origin. For a complex number  $z$ ,  $\log z$  is defined to be

$$\log z = (\log |z|) + i(\text{phase } z)$$

Therefore the range of the one-argument logarithm function is that strip of the complex plane containing numbers with imaginary parts between  $-\pi$  (exclusive) and  $\pi$  (inclusive).

The X3J13 vote on minus zero would alter that exclusive bound of  $-\pi$  to be inclusive if minus zero is supported.

The two-argument logarithm function is defined as  $\log_b z = (\log z)/(\log b)$ . This defines the principal values precisely. The range of the two-argument logarithm function is the entire complex plane. It is an error if  $z$  is zero. If  $z$  is non-zero and  $b$  is zero, the logarithm is taken to be zero.

**exp** The simple exponential function has no branch cut.

**expt** The two-argument exponential function is defined as  $b^x = e^{x \log b}$ . This defines the principal values precisely. The range of the two-argument exponential function is the entire complex plane. Regarded as a function of  $x$ , with  $b$  fixed, there is no branch cut. Regarded as a function of  $b$ , with  $x$  fixed, there is in general a branch cut along the negative real axis, continuous with quadrant II. The domain excludes the origin. By definition,  $0^0 = 1$ . If  $b = 0$  and the real part of  $x$  is strictly positive, then  $b^x = 0$ . For all other values of  $x$ ,  $0^x$  is an error.

**asin** The following definition for arc sine determines the range and branch cuts:

$$\arcsin z = -i \log \left( iz + \sqrt{1 - z^2} \right)$$

This is equivalent to the formula

$$\arcsin z = \frac{\operatorname{arcsinh} iz}{i}$$

recommended by Kahan [25].

The branch cut for the arc sine function is in two pieces: one along the negative real axis to the left of  $-1$  (inclusive), continuous with quadrant II, and one along the positive real axis to the right of  $1$  (inclusive),



continuous with quadrant IV. The range is that strip of the complex plane containing numbers whose real part is between  $-\pi/2$  and  $\pi/2$ . A number with real part equal to  $-\pi/2$  is in the range if and only if its imaginary part is non-negative; a number with real part equal to  $\pi/2$  is in the range if and only if its imaginary part is non-positive.

**acos** The following definition for arc cosine determines the range and branch cuts:

$$\arccos z = -i \log \left( z + i\sqrt{1 - z^2} \right)$$

or, which is equivalent,

$$\arccos z = \frac{\pi}{2} - \arcsin z$$

The branch cut for the arc cosine function is in two pieces: one along the negative real axis to the left of  $-1$  (inclusive), continuous with quadrant II, and one along the positive real axis to the right of  $1$  (inclusive), continuous with quadrant IV. This is the same branch cut as for arc sine. The range is that strip of the complex plane containing numbers whose real part is between zero and  $\pi$ . A number with real part equal to zero is in the range if and only if its imaginary part is non-negative; a number with real part equal to  $\pi$  is in the range if and only if its imaginary part is non-positive.

**atan** The following definition for (one-argument) arc tangent determines the range and branch cuts:

X3J13 voted in January 1989 to replace the formula shown above with the formula

$$\arctan z = \frac{\log(1 + iz) - \log(1 - iz)}{2i}$$

This is equivalent to the formula

$$\arctan z = \frac{\operatorname{arctanh} iz}{i}$$

recommended by Kahan [25]. It causes the upper branch cut to be continuous with quadrant I rather than quadrant II, and the lower branch cut to be continuous with quadrant III rather than quadrant IV; otherwise it agrees with the formula of the first edition. Therefore this change alters the result returned by **atan** only for arguments on the positive imaginary axis that are of magnitude greater than 1. The full description for this new formula is as follows.

The branch cut for the arc tangent function is in two pieces: one along the positive imaginary axis above  $i$  (exclusive), continuous with quadrant I, and one along the negative imaginary axis below  $-i$  (exclusive), continuous with quadrant III. The points  $i$  and  $-i$  are excluded from the domain. The range is that strip of the complex plane containing numbers whose real part is between  $-\pi/2$  and  $\pi/2$ . A number with real part equal to  $-\pi/2$  is in the range if and only if its imaginary part is strictly negative; a number with real part equal to  $\pi/2$  is in the range if and only if its imaginary part is strictly positive. Thus the range of the arc tangent function is *not* identical to that of the arc sine function.

**asinh** The following definition for the inverse hyperbolic sine determines the range and branch cuts:

$$\operatorname{arsinh} z = \log \left( z + \sqrt{1 + z^2} \right)$$

The branch cut for the inverse hyperbolic sine function is in two pieces: one along the positive imaginary axis above  $i$  (inclusive), continuous with quadrant I, and one along the negative imaginary axis below  $-i$  (inclusive), continuous with quadrant III. The range is that strip of the complex plane containing numbers whose imaginary part is between  $-\pi/2$  and  $\pi/2$ . A number with imaginary part equal to  $-\pi/2$  is in the range if and only if its real part is non-positive; a number with imaginary part equal to  $\pi/2$  is in the range if and only if its real part is non-negative.

**acosh** The following definition for the inverse hyperbolic cosine determines the range and branch cuts:

$$\operatorname{arcosh} z = \log \left( z + (z + 1) \sqrt{(z - 1)/(z + 1)} \right)$$

Kahan [25] suggests the formula

$$\operatorname{arccosh} z = 2 \log \left( \sqrt{(z+1)/2} + \sqrt{(z-1)/2} \right)$$

pointing out that it yields the same principal value but eliminates a gratuitous removable singularity at  $z = -1$ . A proposal was submitted to X3J13 in September 1989 to replace the formula **acosh** with that recommended by Kahan. There is a good possibility that it will be adopted.

The branch cut for the inverse hyperbolic cosine function lies along the real axis to the left of 1 (inclusive), extending indefinitely along the negative real axis, continuous with quadrant II and (between 0 and 1) with quadrant I. The range is that half-strip of the complex plane containing numbers whose real part is non-negative and whose imaginary part is between  $-\pi$  (exclusive) and  $\pi$  (inclusive). A number with real part zero is in the range if its imaginary part is between zero (inclusive) and  $\pi$  (inclusive).

**atanh** The following definition for the inverse hyperbolic tangent determines the range and branch cuts:

WARNING! *The formula shown above for hyperbolic arc tangent is incorrect.* It is not a matter of incorrect branch cuts; it simply does not compute anything like a hyperbolic arc tangent. This unfortunate error in the first edition was the result of mistranscribing a (correct) APL formula from Penfield's paper [36]. The formula should have been transcribed as

$$\operatorname{arctanh} z = \log \left( (1+z) \sqrt{1/(1-z^2)} \right)$$

A proposal was submitted to X3J13 in September 1989 to replace the formula **atanh** with that recommended by Kahan [25]:

$$\operatorname{arctanh} z = \frac{\log(1+z) - \log(1-z)}{2}$$

There is a good possibility that it will be adopted. If it is, the complete description of the branch cuts of **atanh** will then be as follows.

The branch cut for the inverse hyperbolic tangent function is in two pieces: one along the negative real axis to the left of  $-1$  (inclusive),

continuous with quadrant II, and one along the positive real axis to the right of 1 (inclusive), continuous with quadrant IV. The points  $-1$  and  $1$  are excluded from the domain. The range is that strip of the complex plane containing numbers whose imaginary part is between  $-\pi/2$  and  $\pi/2$ . A number with imaginary part equal to  $-\pi/2$  is in the range if and only if its real part is strictly positive; a number with imaginary part equal to  $\pi/2$  is in the range if and only if its real part is strictly negative. Thus the range of the inverse hyperbolic tangent function is *not* the same as that of the inverse hyperbolic sine function.

With these definitions, the following useful identities are obeyed throughout the applicable portion of the complex domain, even on the branch cuts:

$$\begin{array}{lll} \sin iz = i \sinh z & \sinh iz = i \sin z & \arctan iz = i \operatorname{arctanh} z \\ \cos iz = \cosh z & \cosh iz = \cos z & \operatorname{arcsinh} iz = i \arcsin z \\ \tan iz = i \tanh z & \arcsin iz = i \operatorname{arcsinh} z & \operatorname{arctanh} iz = i \arctan z \end{array}$$

I thought it would be useful to provide some graphs illustrating the behavior of the irrational and transcendental functions in the complex plane. It also provides an opportunity to show off the Common Lisp code that was used to generate them.

Imagine the complex plane to be decorated as follows. The real and imaginary axes are painted with thick lines. Parallels from the axes on both sides at distances of 1, 2, and 3 are painted with thin lines; these parallels are doubly infinite lines, as are the axes. Four annuli (rings) are painted in gradated shades of gray. Ring 1, the inner ring, consists of points whose radial distances from the origin lie in the range  $[1/4, 1/2]$ ; ring 2 is in the radial range  $[3/4, 1]$ ; ring 3, in the range  $[\pi/2, 2]$ ; and ring 4, in the range  $[3, \pi]$ . Ring  $j$  is divided into  $2^{j+1}$  equal sectors, with each sector painted a different shade of gray, darkening as one proceeds counterclockwise from the positive real axis.

We can illustrate the behavior of a numerical function  $f$  by considering how it maps the complex plane to itself. More specifically, consider each point  $z$  of the decorated plane. We decorate a new plane by coloring the point  $f(z)$  with the same color that point  $z$  had in the original decorated plane. In other words, the newly decorated plane illustrates how the  $f$  maps the axes, other horizontal and vertical lines, and annuli.

In each figure we will show only a fragment of the complex plane, with the real axis horizontal in the usual manner ( $-\infty$  to the left,  $+\infty$  to the right)

and the imaginary axis vertical ( $-\infty i$  below,  $+\infty i$  above). Each fragment shows a region containing points whose real and imaginary parts are in the range  $[-4.1, 4.1]$ . The axes of the new plane are shown as very thin lines, with large tick marks at integer coordinates and somewhat smaller tick marks at multiples of  $\pi/2$ .

Figure 12.1 shows the result of plotting the **identity** function (quite literally); the graph exhibits the decoration of the original plane.

Figures 12.2 through 12.20 show the graphs for the functions **sqrt**, **exp**, **log**, **sin**, **asin**, **cos**, **acos**, **tan**, **atan**, **sinh**, **asinh**, **cosh**, **acosh**, **tanh**, and **atanh**, and as a bonus, the graphs for the functions  $\sqrt{1-z^2}$ ,  $\sqrt{1+z^2}$ ,  $(z-1)/(z+1)$ , and  $(1+z)/(1-z)$ . All of these are related to the trigonometric functions in various ways. For example, if  $f(z) = (z-1)/(z+1)$ , then  $\tanh z = f(e^{2z})$ , and if  $g(z) = \sqrt{1-z^2}$ , then  $\cos z = g(\sin z)$ . It is instructive to examine the graph for  $\sqrt{1-z^2}$  and try to visualize how it transforms the graph for **sin** into the graph for **cos**.

Each figure is accompanied by a commentary on what maps to what and other interesting features. None of this material is terribly new; much of it may be found in any good textbook on complex analysis. I believe that the particular form in which the graphs are presented is novel, as well as the fact that the graphs have been generated as PostScript [1] code by Common Lisp code. This PostScript code was then fed directly to the typesetting equipment that set the pages for this book. Samples of this PostScript code follow the figures themselves, after which the code for the entire program is presented.

In the commentaries that accompany the figures I sometimes speak of mapping the points  $\pm\infty$  or  $\pm\infty i$ . When I say that function  $f$  maps  $+\infty$  to a certain point  $z$ , I mean that

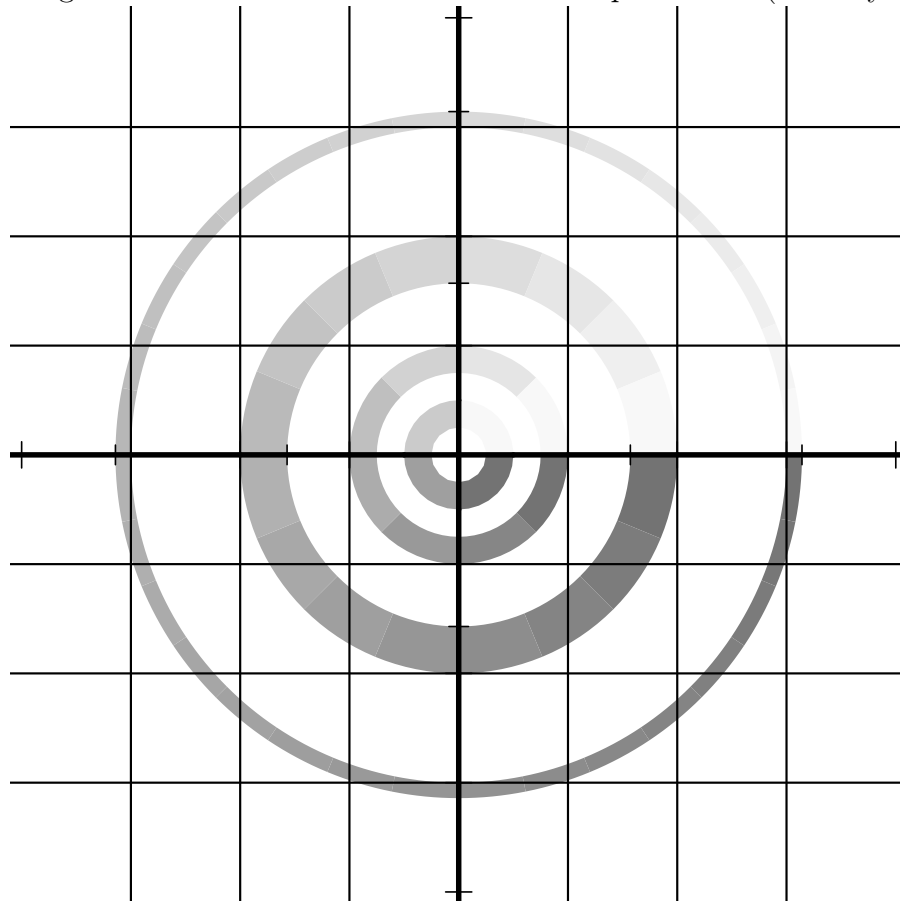
$$z = \lim_{x \rightarrow +\infty} f(x + 0i)$$

Similarly, when I say that  $f$  maps  $-\infty i$  to  $z$ , I mean that

$$z = \lim_{y \rightarrow -\infty} f(0 + yi)$$

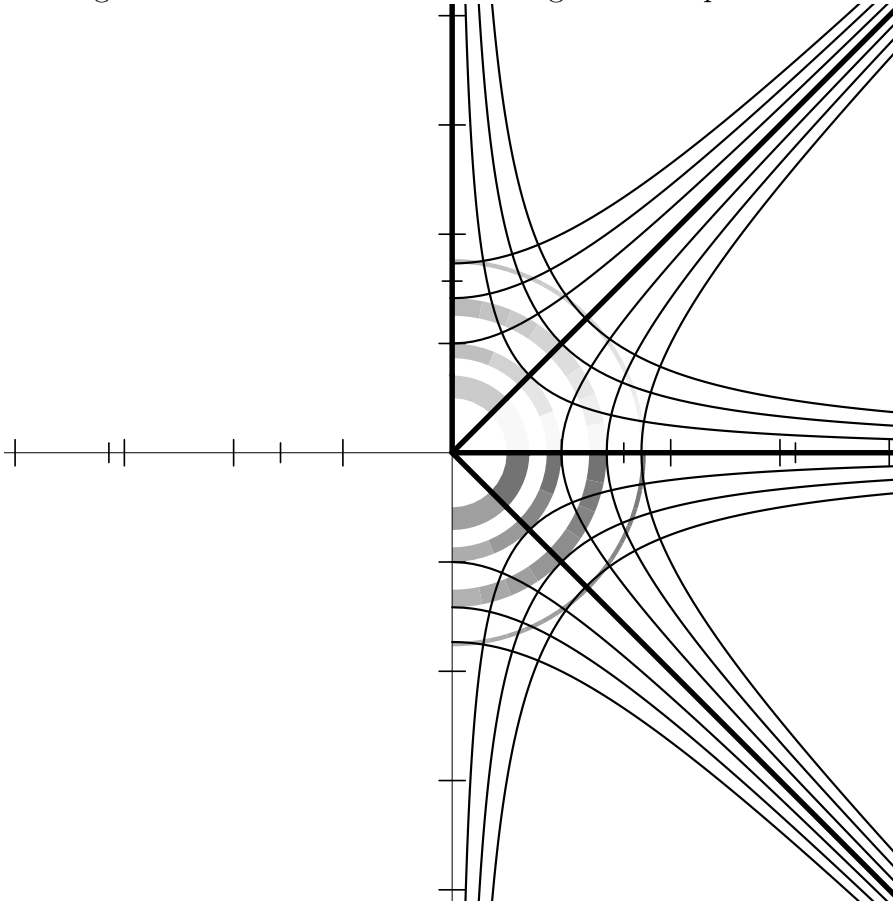
In other words, I am considering a limit as one travels out along one of the main axes. I also speak in a similar manner of mapping *to* one of these infinities.

Figure 12.1: Initial Decoration of the Complex Plane (Identity Function)



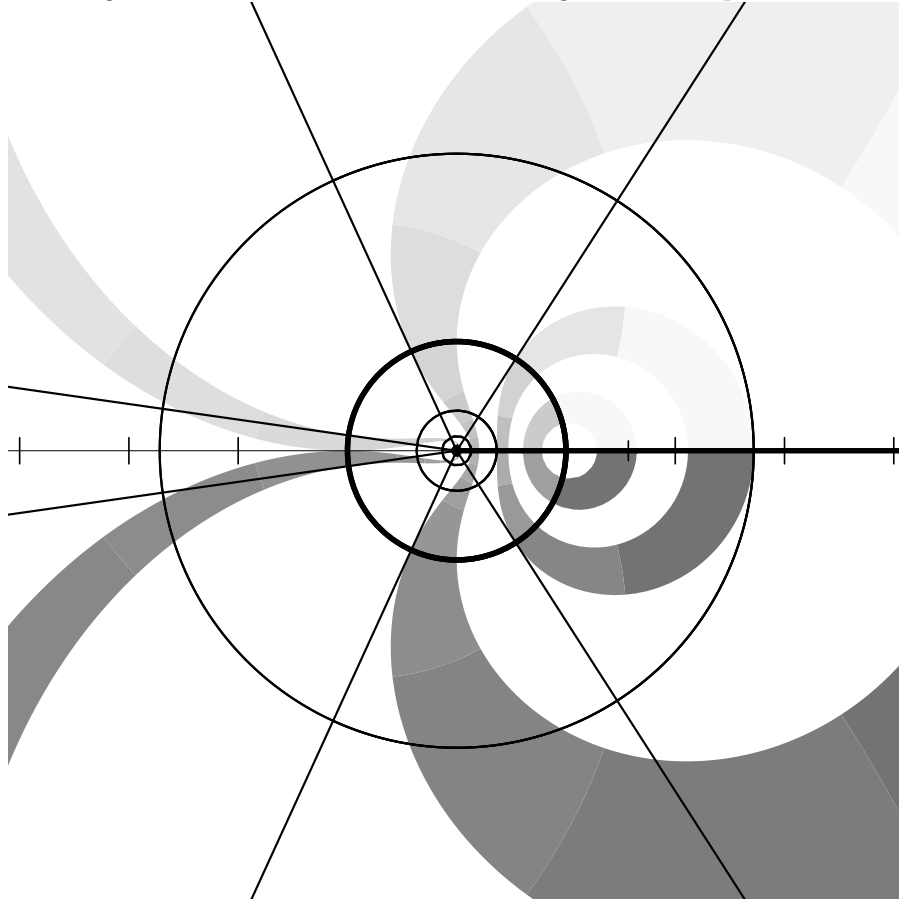
This figure was produced in exactly the same manner as succeeding figures, simply by plotting the function **identity** instead of a numerical function. Thus the first of these figures was produced by the last function of the first edition. I knew it would come in handy someday!

Figure 12.2: Illustration of the Range of the Square Root Function



The `sqrt` function maps the complex plane into the right half of the plane by slitting it along the negative real axis and then sweeping it around as if half-closing a folding fan. The fan also shrinks, as if it were made of cotton and had gotten wetter at the periphery than at the center. The positive real axis is mapped onto itself. The negative real axis is mapped onto the positive imaginary axis (but if minus zero is supported, then  $-x + 0i$  is mapped onto the positive imaginary axis and  $-x - 0i$  onto the negative imaginary axis, assuming  $x > 0$ ). The positive imaginary axis is mapped onto the northeast diagonal, and the negative imaginary axis onto the southeast diagonal. More generally, lines are mapped to rectangular hyperbolas (or fragments thereof) centered on the origin; lines through the origin are mapped to degenerate hyperbolas (perpendicular lines through the origin).

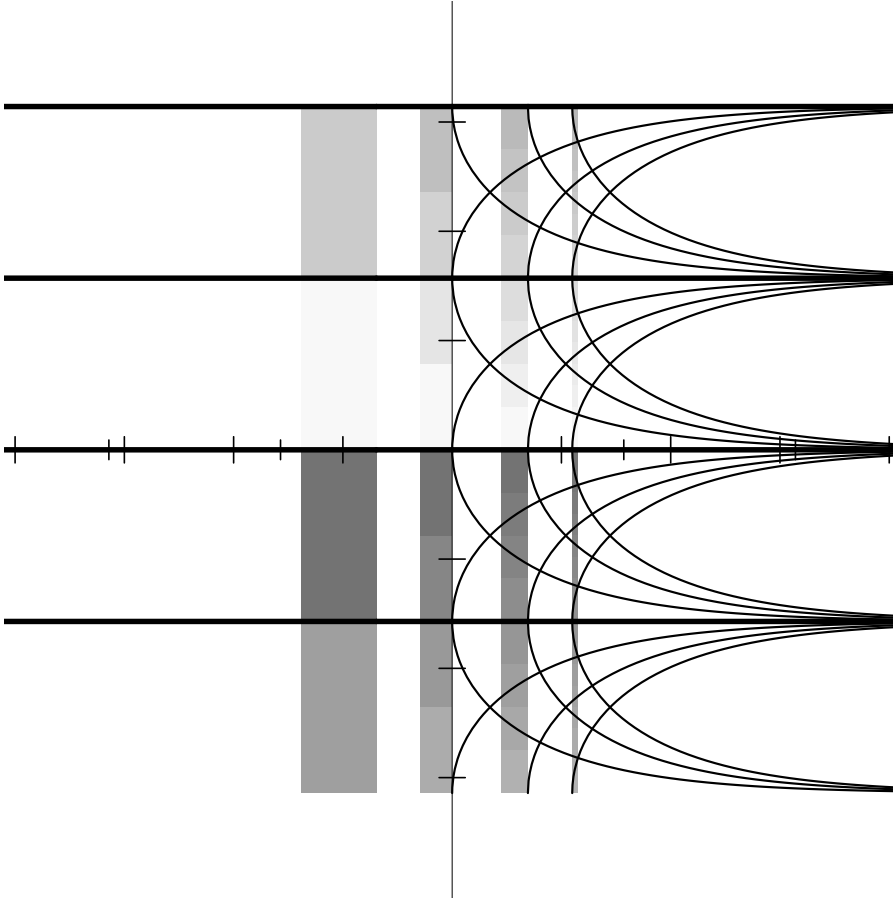
Figure 12.3: Illustration of the Range of the Exponential Function



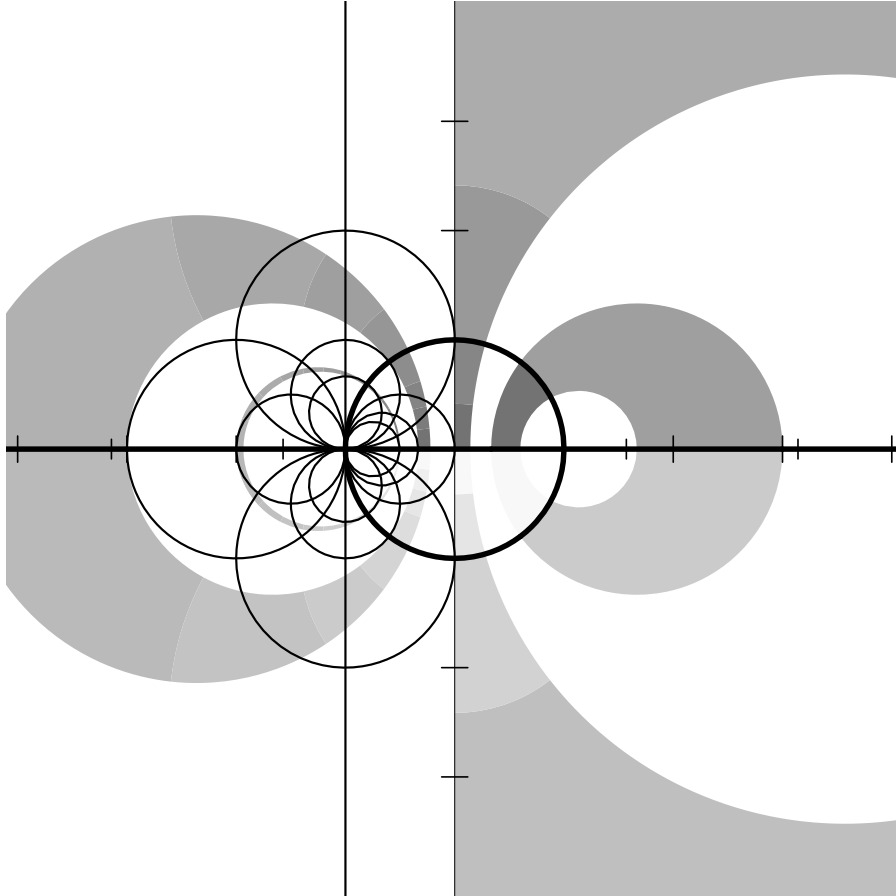
The **exp** function maps horizontal lines to radii and maps vertical lines to circles centered at the origin. The origin is mapped to 1. (It is instructive to compare this graph with those of other functions that map the origin to 1, for example  $(1+z)/(1-z)$ ,  $\cos z$ , and  $\sqrt{1-z^2}$ .) The entire real axis is mapped to the positive real axis, with  $-\infty$  mapping to the origin and  $+\infty$  to itself. The imaginary axis is mapped to the unit circle with infinite multiplicity (period  $2\pi$ ); therefore the mapping of the imaginary infinities  $\pm\infty i$  is indeterminate. It follows that the entire left half-plane is mapped to the interior of the unit circle, and the right half-plane is mapped to the exterior of the unit circle. A line at any angle other than horizontal or vertical is mapped to a logarithmic spiral (but this is not illustrated here).



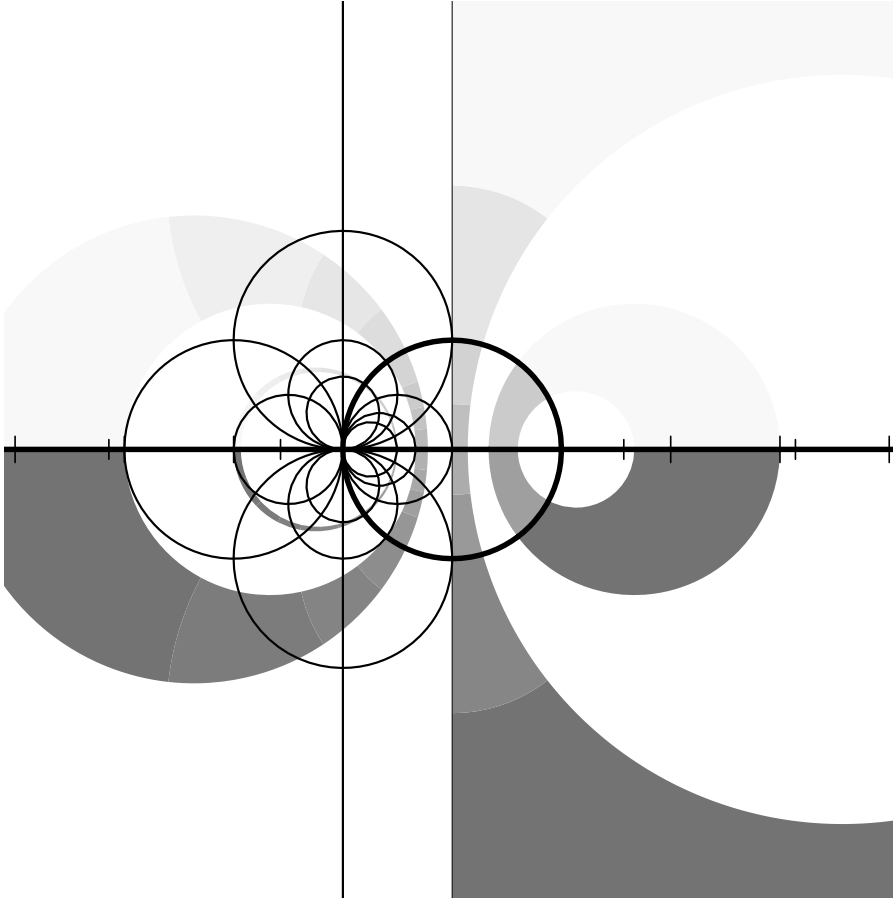
Figure 12.4: Illustration of the Range of the Natural Logarithm Function



The **log** function, which is the inverse of **exp**, naturally maps radial lines to horizontal lines and circles centered at the origin to vertical lines. The interior of the unit circle is thus mapped to the entire left half-plane, and the exterior of the unit circle is mapped to the right half-plane. The positive real axis is mapped to the entire real axis, and the negative real axis to a horizontal line of height  $\pi$ . The positive and negative imaginary axes are mapped to horizontal lines of height  $\pm\pi/2$ . The origin is mapped to  $-\infty$ .

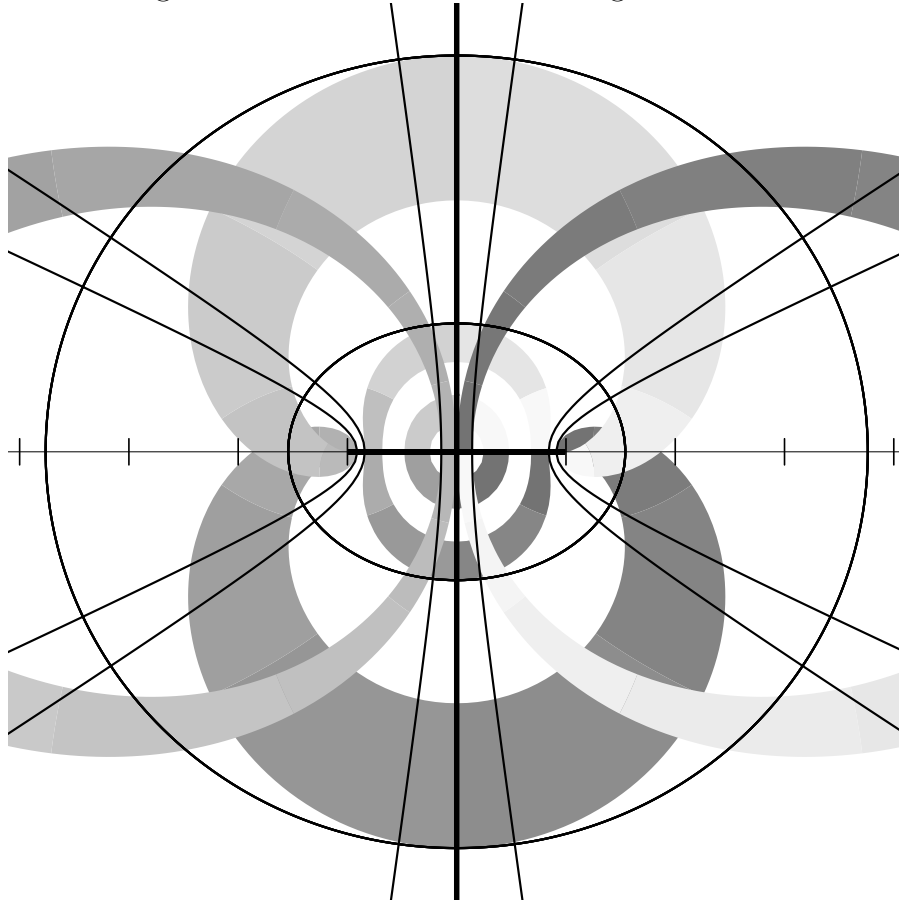
Figure 12.5: Illustration of the Range of the Function  $(z - 1)/(z + 1)$ 

A line is a degenerate circle with infinite radius; when I say “circles” here I also mean lines. Then  $(z - 1)/(z + 1)$  maps circles into circles. All circles through  $-1$  become lines; all lines become circles through  $1$ . The real axis is mapped onto itself:  $1$  to the origin, the origin to  $-1$ ,  $-1$  to infinity, and infinity to  $1$ . The imaginary axis becomes the unit circle;  $i$  is mapped to itself, as is  $-i$ . Thus the entire right half-plane is mapped to the interior of the unit circle, the unit circle interior to the left half-plane, the left half-plane to the unit circle exterior, and the unit circle exterior to the right half-plane. Imagine the complex plane to be a vast sea. The Colossus of Rhodes straddles the origin, its left foot on  $i$  and its right foot on  $-i$ . It bends down and briefly paddles water between its legs so furiously that the water directly beneath is pushed out into the entire area behind it; much that was behind swirls forward to either side; and all that was before is sucked in to lie between its feet.

Figure 12.6: Illustration of the Range of the Function  $(1 + z)/(1 - z)$ 

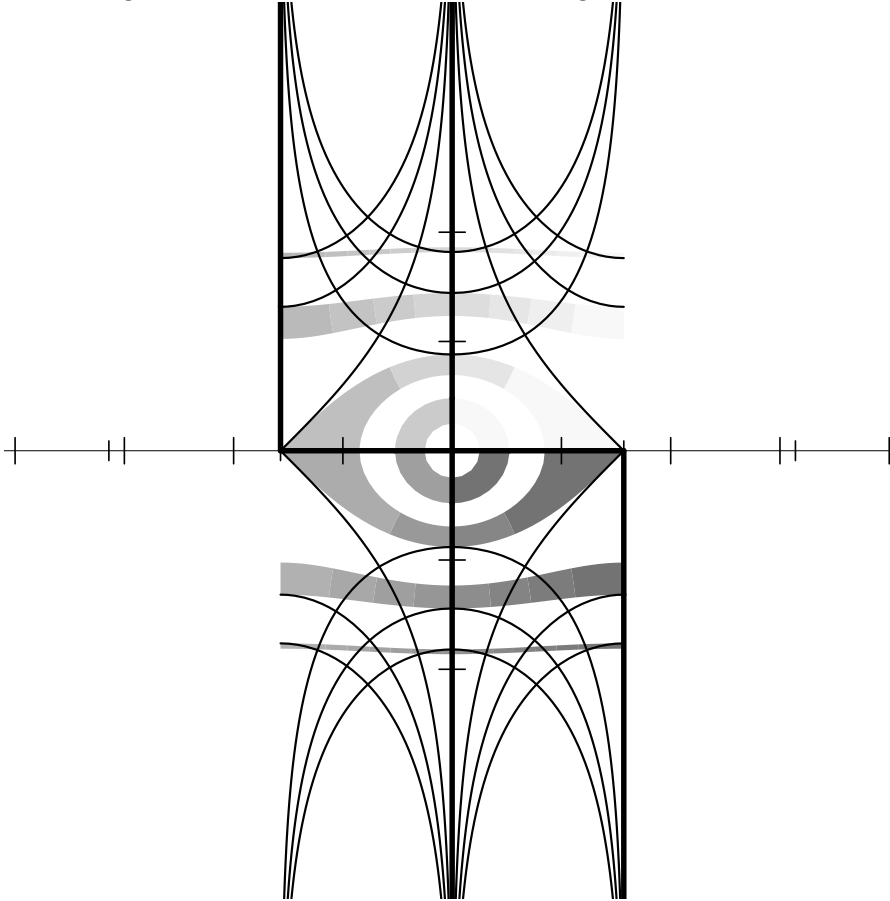
The function  $h(z) = (1 + z)/(1 - z)$  is the inverse of  $f(z) = (z - 1)/(z + 1)$ ; that is,  $h(f(z)) = f(h(z)) = z$ . At first glance, the graph of  $h$  appears to be that of  $f$  flipped left-to-right, or perhaps reflected in the origin, but careful consideration of the shaded annuli reveals that this is not so; something more subtle is going on. Note that  $f(f(z)) = h(h(z)) = g(z) = -1/z$ . The functions  $f$ ,  $g$ ,  $h$ , and the identity function thus form a group under composition, isomorphic to the group of the cyclic permutations of the points  $-1$ ,  $0$ ,  $1$ , and  $\infty$ , as indeed these functions accomplish the four possible cyclic permutations on those points. This function group is a subset of the group of bilinear transformations  $(az + b)/(cz + d)$ , all of which are conformal (angle-preserving) and map circles onto circles. Now, doesn't that tangle of circles through  $-1$  look like something the cat got into?

Figure 12.7: Illustration of the Range of the Sine Function



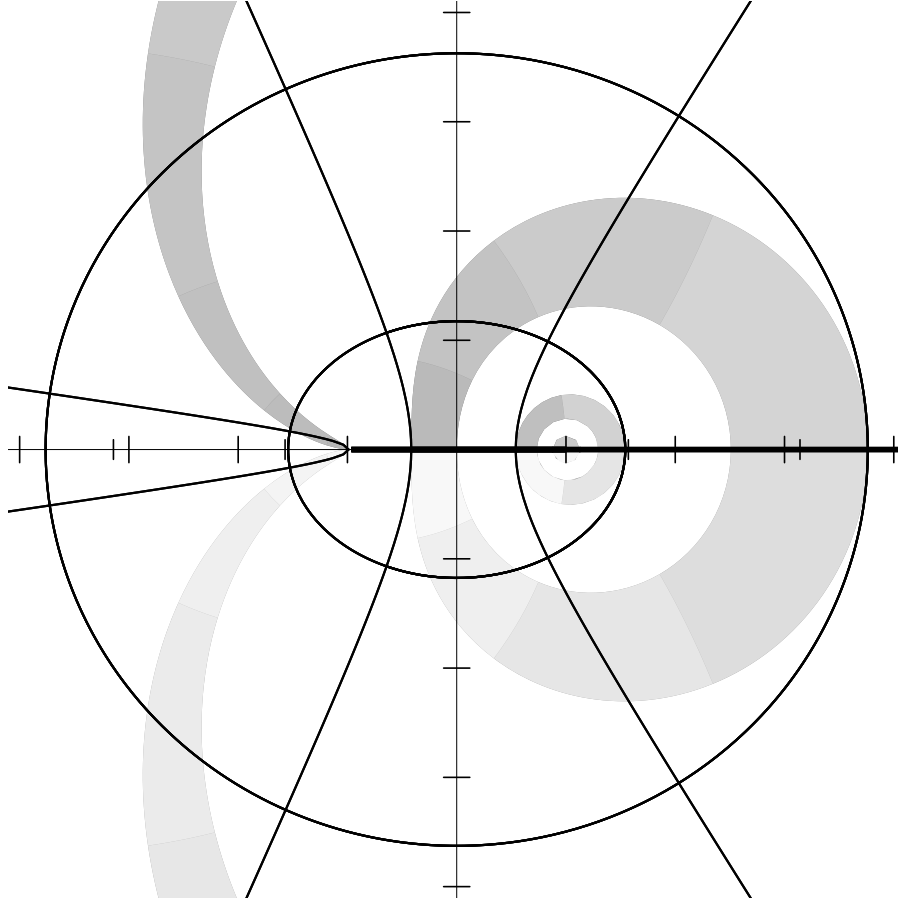
We are used to seeing **sin** looking like a wiggly ocean wave, graphed vertically as a function of the real axis only. Here is a different view. The entire real axis is mapped to the segment  $[-1, 1]$  of the real axis with infinite multiplicity (period  $2\pi$ ). The imaginary axis is mapped to itself as if by **sinh** considered as a real function. The origin is mapped to itself. Horizontal lines are mapped to ellipses with foci at  $\pm 1$  (note that two horizontal lines equidistant from the real axis will map onto the same ellipse). Vertical lines are mapped to hyperbolas with the same foci. There is a curious accident: the ellipse for horizontal lines at distance  $\pm 1$  from the real axis appears to intercept the real axis at  $\pm\pi/2 \approx \pm 1.57\dots$  but this is not so; the intercepts are actually at  $\pm(e + 1/e)/2 \approx \pm 1.54\dots$ .

Figure 12.8: Illustration of the Range of the Arc Sine Function



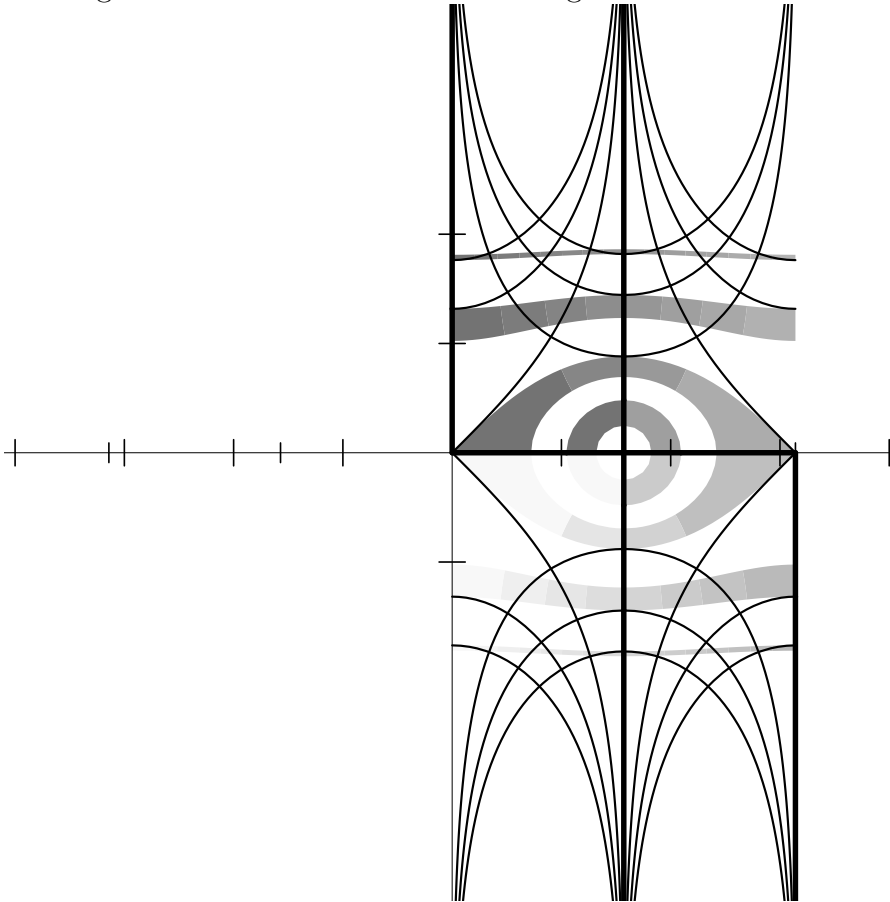
Just as **sin** grabs horizontal lines and bends them into elliptical loops around the origin, so its inverse **asin** takes annuli and yanks them more or less horizontally straight. Because sine is not injective, its inverse as a function cannot be surjective. This is just a highfalutin way of saying that the range of the **asin** function doesn't cover the entire plane but only a strip  $\pi$  wide; arc sine as a one-to-many relation would cover the plane with an infinite number of copies of this strip side by side, looking for all the world like the tail of a peacock with an infinite number of feathers. The imaginary axis is mapped to itself as if by **asinh** considered as a real function. The real axis is mapped to a bent path, turning corners at  $\pm\pi/2$  (the points to which  $\pm 1$  are mapped);  $+\infty$  is mapped to  $\pi/2 - \infty i$ , and  $-\infty$  to  $-\pi/2 + \infty i$ .

Figure 12.9: Illustration of the Range of the Cosine Function



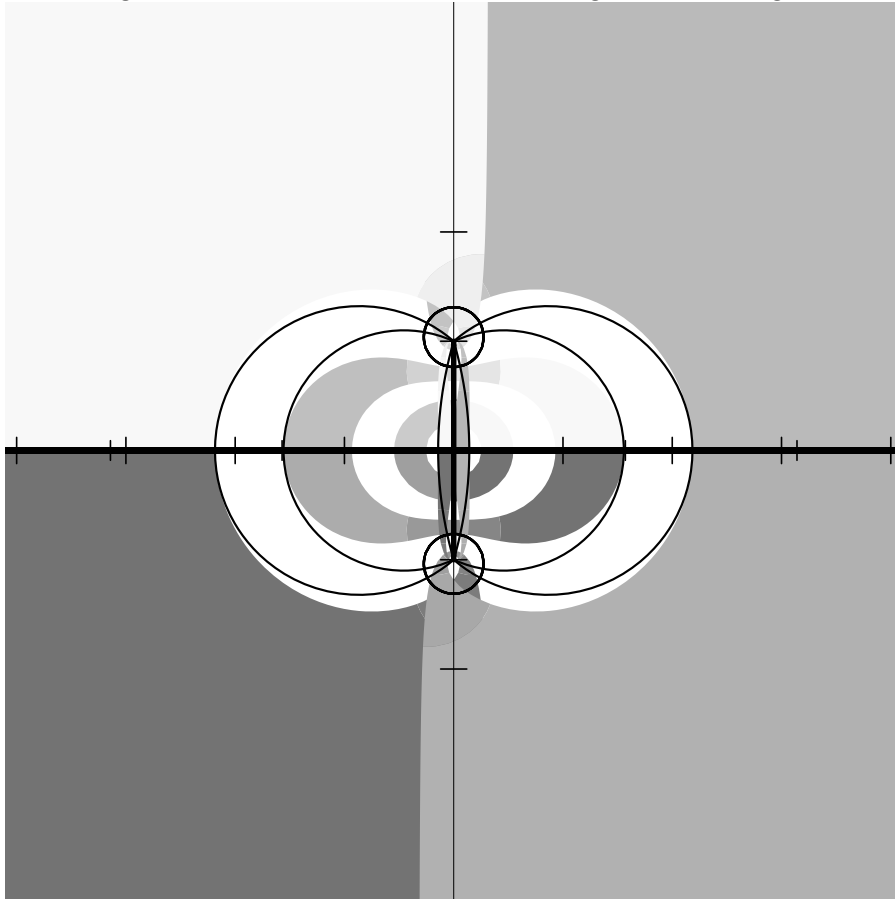
We are used to seeing **cos** looking exactly like **sin**, a wiggly ocean wave, only displaced. Indeed the complex mapping of **cos** is also similar to that of **sin**, with horizontal and vertical lines mapping to the same ellipses and hyperbolas with foci at  $\pm 1$ , although mapping to them in a different manner, to be sure. The entire real axis is again mapped to the segment  $[-1, 1]$  of the real axis, but each half of the imaginary axis is mapped to the real axis to the right of 1 (as if by **cosh** considered as a real function). Therefore  $\pm\infty i$  both map to  $+\infty$ . The origin is mapped to 1. Whereas **sin** is an odd function, **cos** is an even function; as a result *two* points in each annulus, one the negative of the other, are mapped to the same shaded point in this graph; the shading shown here is taken from points in the original upper half-plane.

Figure 12.10: Illustration of the Range of the Arc Cosine Function



The graph of  $\mathbf{acos}$  is very much like that of  $\mathbf{asin}$ . One might think that our nervous peacock has shuffled half a step to the right, but the shading on the annuli shows that we have instead caught the bird exactly in mid-flight while doing a cartwheel. This is easily understood if we recall that  $\arccos z = (\pi/2) - \arcsin z$ ; negating  $\arcsin z$  rotates it upside down, and adding the result to  $\pi/2$  translates it  $\pi/2$  to the right. The imaginary axis is mapped upside down to the vertical line at  $\pi/2$ . The point  $+1$  is mapped to the origin, and  $-1$  to  $\pi$ . The image of the real axis is again cranky;  $+\infty$  is mapped to  $+\infty i$ , and  $-\infty$  to  $\pi - \infty i$ .

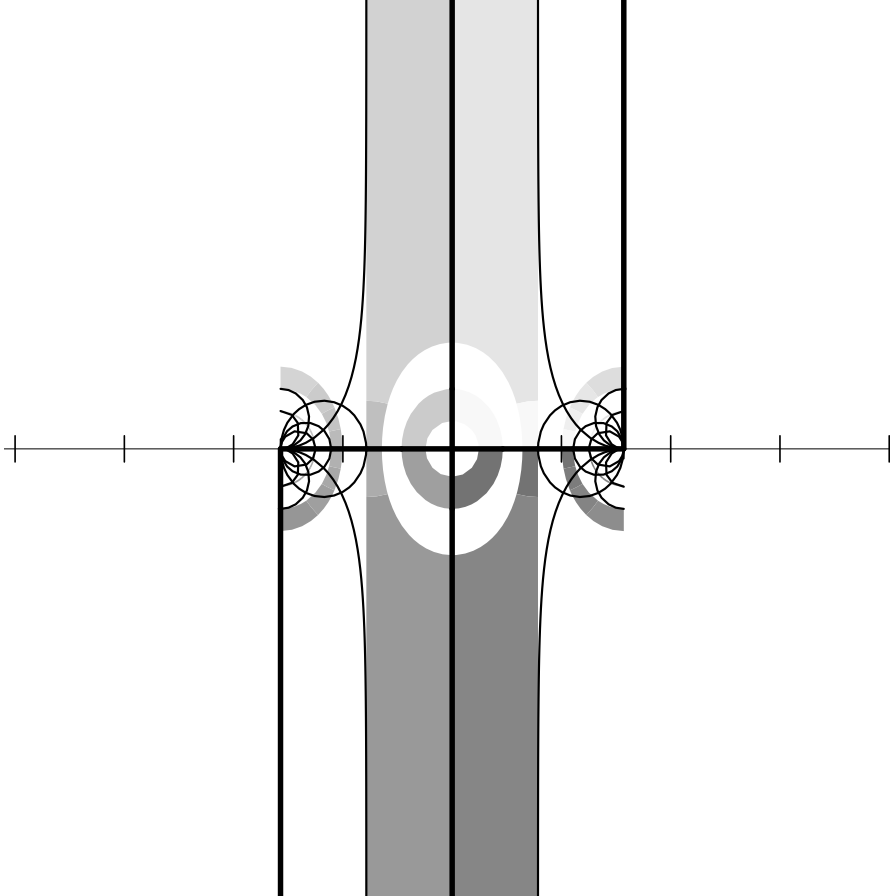
Figure 12.11: Illustration of the Range of the Tangent Function



The usual graph of **tan** as a real function looks like an infinite chorus line of disco dancers, left hands pointed skyward and right hands to the floor. The **tan** function is the quotient of **sin** and **cos** but it doesn't much look like either except for having period  $2\pi$ . This goes for the complex plane as well, although the swoopy loops produced from the annulus between  $\pi/2$  and  $2$  look vaguely like those from the graph of **sin** inside out. The real axis is mapped onto itself with infinite multiplicity (period  $2\pi$ ). The imaginary axis is mapped backwards onto  $[-i, i]$ :  $+\infty i$  is mapped to  $-i$  and  $-\infty i$  to  $+i$ . Horizontal lines below or above the real axis become circles surrounding  $+i$  or  $-i$ , respectively. Vertical lines become circular arcs from  $+i$  to  $-i$ ; two vertical lines separated by  $(2k+1)\pi$  for integer  $k$  together become a complete circle. It seems that two arcs shown hit the real axis at  $\pm\pi/2 = \pm 1.57\dots$  but that is a coincidence; they really hit the axis at  $\pm \tan 1 = 1.55\dots$ .

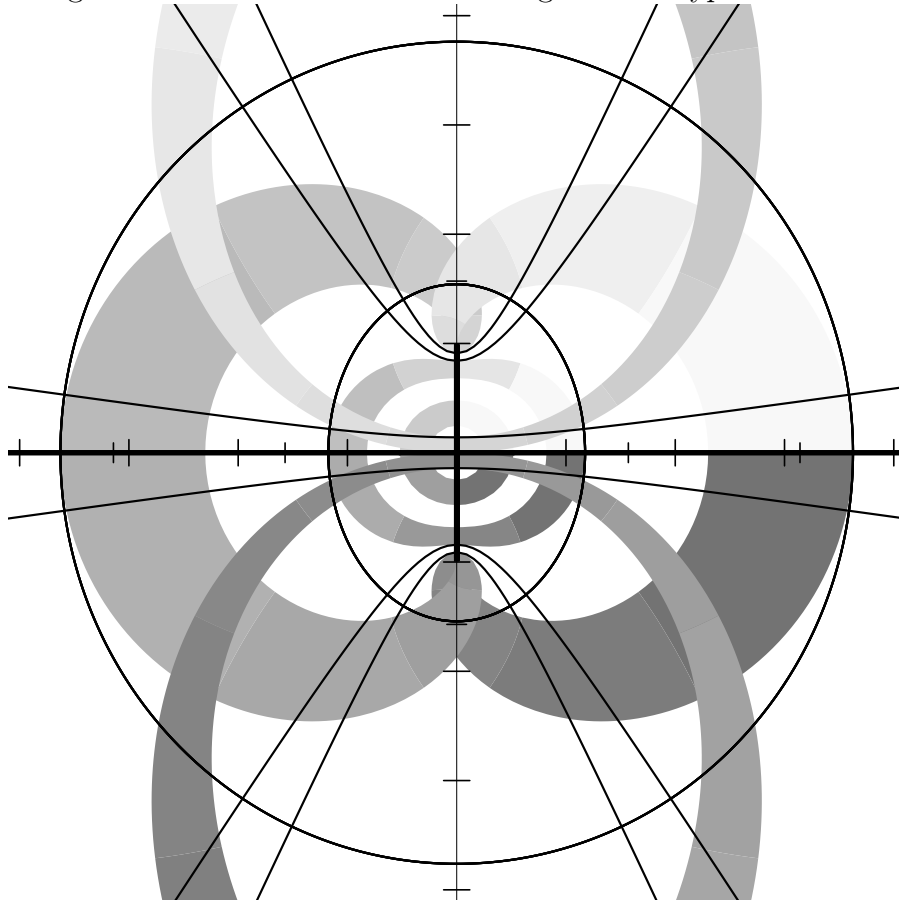


Figure 12.12: Illustration of the Range of the Arc Tangent Function



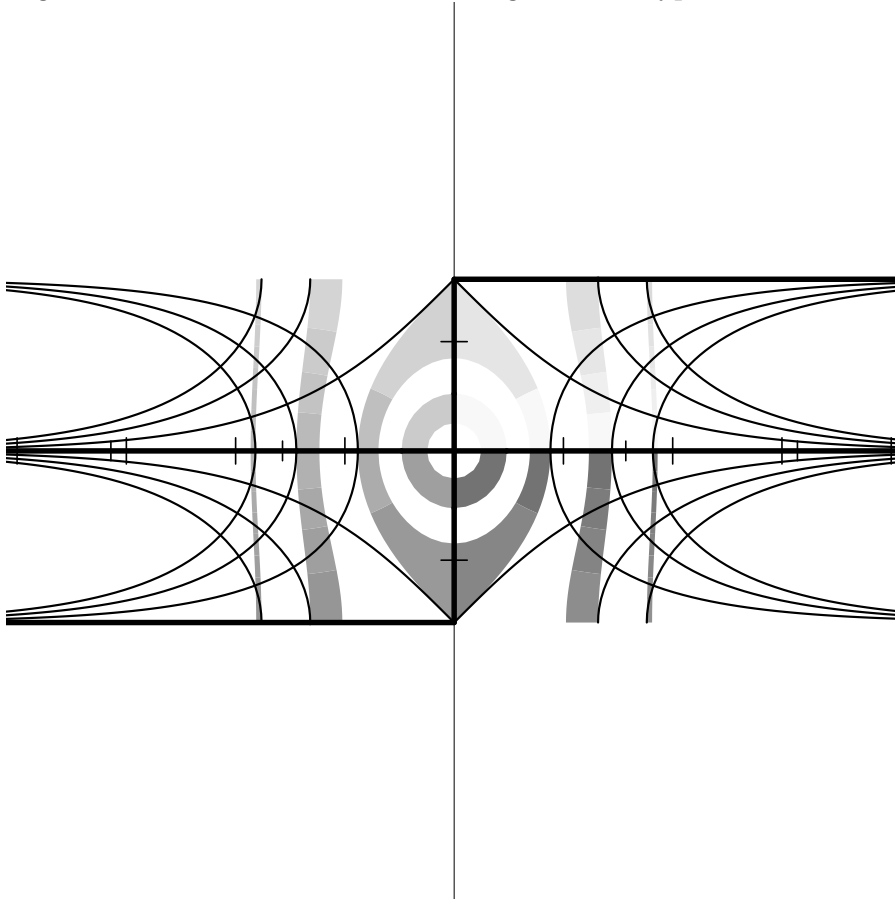
All I can say is that this peacock is a horse of another color. At first glance, the axes seem to map in the same way as for **asin** and **acos**, but look again: this time it's the imaginary axis doing weird things. All infinities map multiply to the points  $(2k + 1)\pi/2$ ; within the strip of principal values we may say that the real axis is mapped to the interval  $[-\pi/2, +\pi/2]$  and therefore  $-\infty$  is mapped to  $-\pi/2$  and  $+\infty$  to  $+\pi/2$ . The point  $+i$  is mapped to  $+\infty i$ , and  $-i$  to  $-\infty i$ , and so the imaginary axis is mapped into three pieces: the segment  $[-\infty i, -i]$  is mapped to  $[\pi/2, \pi/2 - \infty i]$ ; the segment  $[-i, i]$  is mapped to the imaginary axis  $[-\infty i, +\infty i]$ ; and the segment  $[+i, +\infty i]$  is mapped to  $[-\pi/2 + \infty i, -\pi/2]$ .

Figure 12.13: Illustration of the Range of the Hyperbolic Sine Function



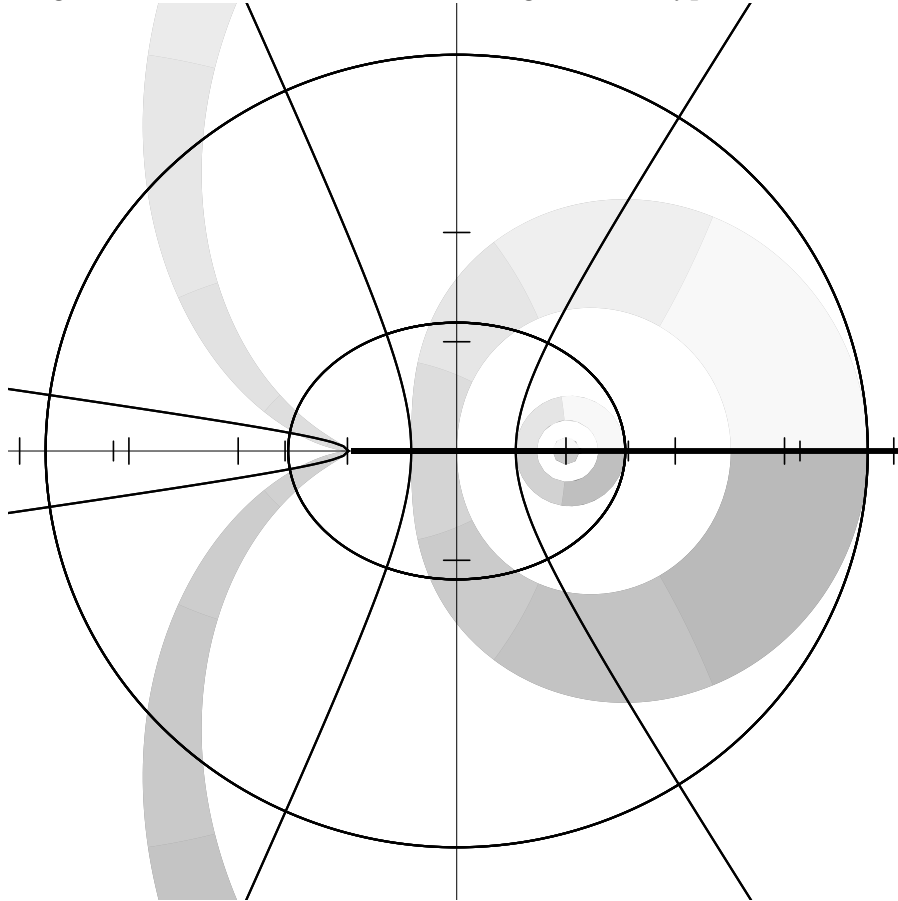
It would seem that the graph of **sinh** is merely that of **sin** rotated 90 degrees. If that were so, then we would have  $\sinh z = i \sin z$ . Careful inspection of the shading, however, reveals that this is not quite the case; in both graphs the lightest and darkest shades, which initially are adjacent to the positive real axis, remain adjacent to the positive real axis in both cases. To derive the graph of **sinh** from **sin** we must therefore first rotate the complex plane by  $-90$  degrees, then apply **sin**, then rotate the result by  $90$  degrees. In other words,  $\sinh z = i \sin(-i)z$ ; consistently replacing  $z$  with  $iz$  in this formula yields the familiar identity  $\sinh iz = i \sin z$ .

Figure 12.14: Illustration of the Range of the Hyperbolic Arc Sine Function



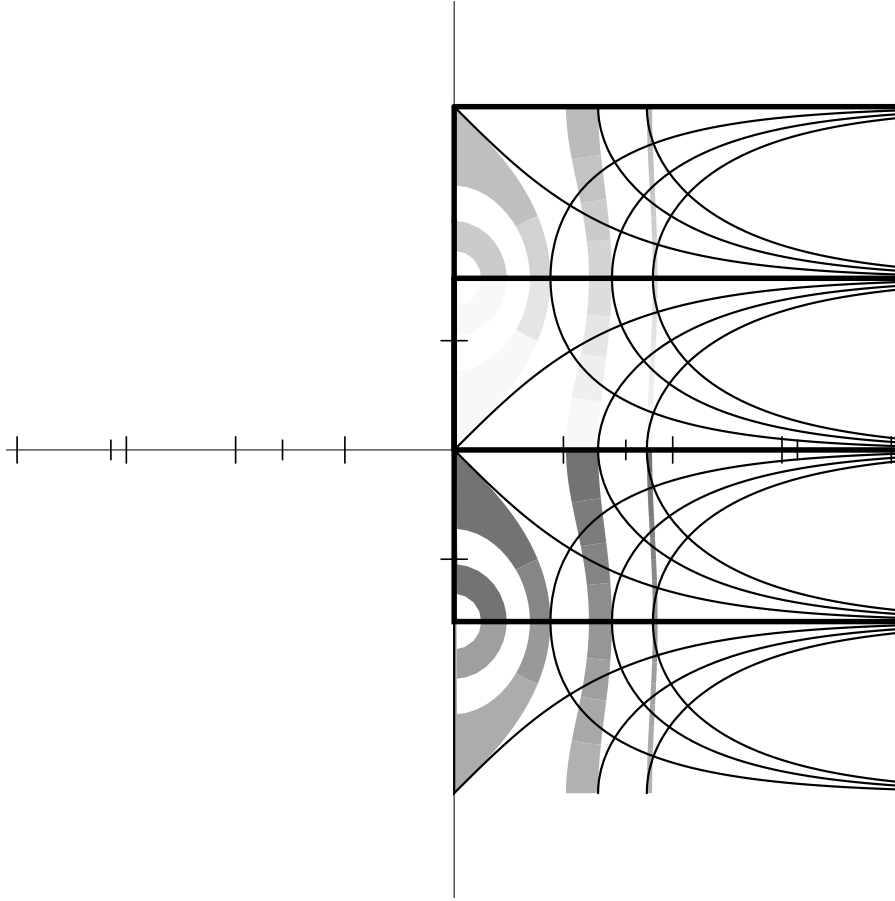
The peacock sleeps. Because  $\operatorname{arcsinh} iz = i \operatorname{arcsin} z$ , the graph of **asinh** is related to that of **asin** by pre- and post-rotations of the complex plane in the same way as for **sinh** and **sin**.

Figure 12.15: Illustration of the Range of the Hyperbolic Cosine Function



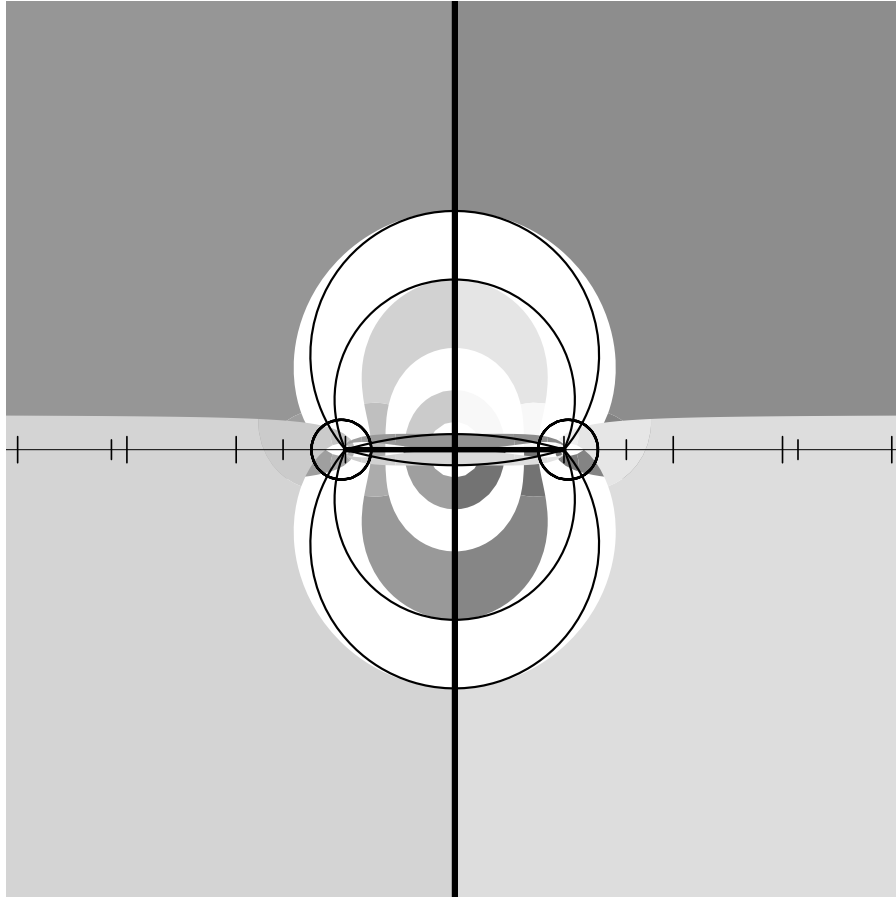
The graph of **cosh** does *not* look like that of **cos** rotated 90 degrees; instead it looks like that of **cos** unrotated. That is because  $\cosh iz$  is not equal to  $i \cos z$ ; rather,  $\cosh iz = \cos z$ . Interpreted, that means that the shading is pre-rotated but there is no post-rotation.

Figure 12.16: Illustration of the Range of the Hyperbolic Arc Cosine Function



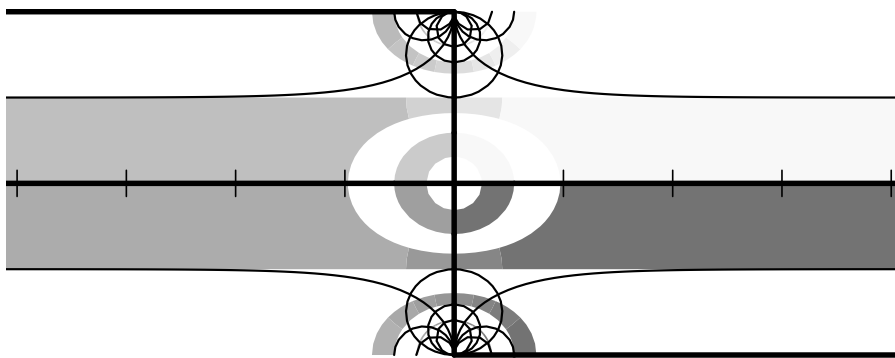
Hmm—I'd rather not say what happened to this peacock. This feather looks a bit mangled. Actually it is all right—the principal value for **acosh** is so chosen that its graph does not look simply like a rotated version of the graph of **acos**, but if all values were shown, the two graphs would fill the plane in repeating patterns related by a rotation.

Figure 12.17: Illustration of the Range of the Hyperbolic Tangent Function

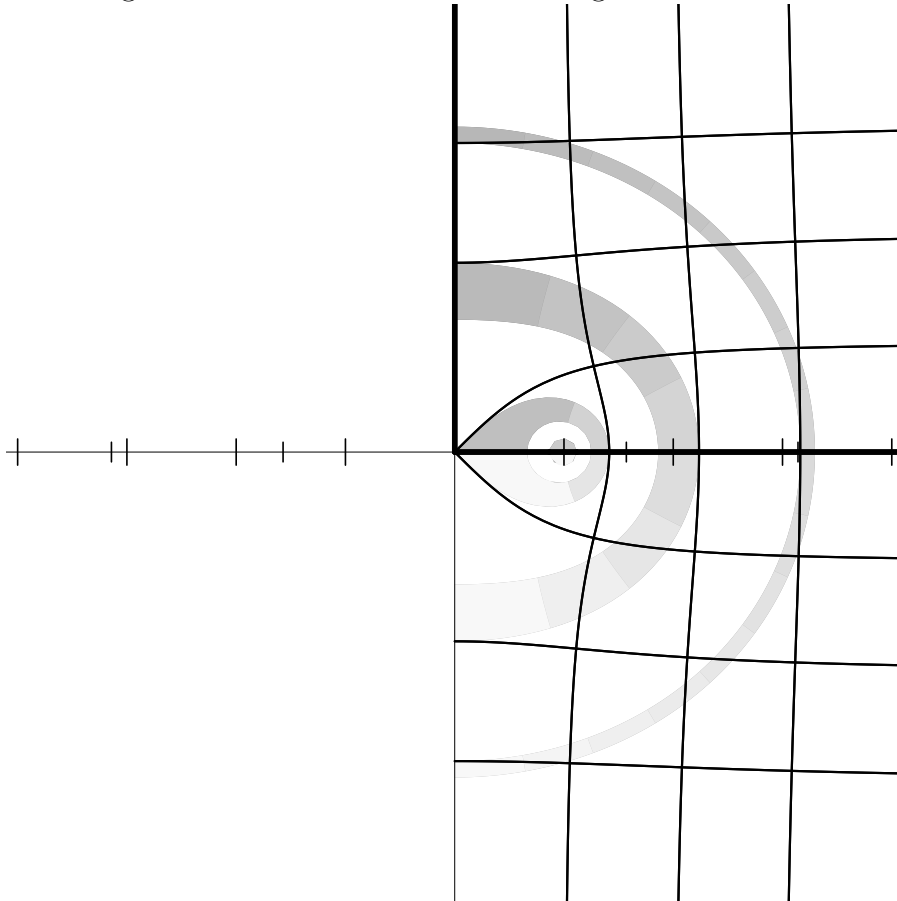


The diagram for **tanh** is simply that of **tan** turned on its ear:  $i \tan z = \tanh iz$ . The imaginary axis is mapped onto itself with infinite multiplicity (period  $2\pi$ ), and the real axis is mapped onto the segment  $[-1, +1]$ :  $+\infty$  is mapped to  $+1$ , and  $-\infty$  to  $-1$ . Vertical lines to the left or right of the real axis are mapped to circles surrounding  $-1$  or  $1$ , respectively. Horizontal lines are mapped to circular arcs anchored at  $-1$  and  $+1$ ; two horizontal lines separated by a distance  $(2k+1)\pi$  for integer  $k$  are together mapped into a complete circle. How do we know these really are circles? Well,  $\tanh z = ((\exp 2z) - 1)/((\exp 2z) + 1)$ , which is the composition of the bilinear transform  $(z-1)/(z+1)$ , the exponential  $\exp z$ , and the magnification  $2z$ . Magnification maps lines to lines of the same slope; the exponential maps horizontal lines to circles and vertical lines to radial lines; and a bilinear transform maps generalized circles (including lines) to generalized circles. Q.E.D.

Figure 12.18: Illustration of the Range of the Hyperbolic Arc Tangent Function

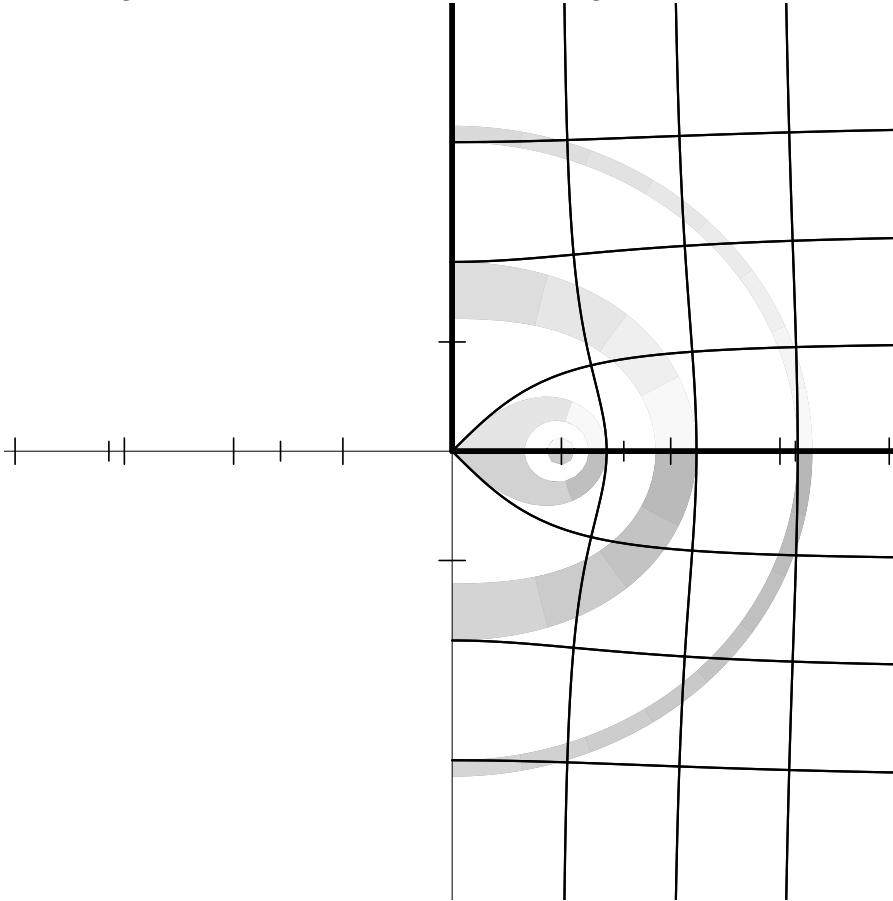


A sleeping peacock of another color:  $\operatorname{arctanh} iz = i \operatorname{arctan} z$ .

Figure 12.19: Illustration of the Range of the Function  $\sqrt{1 - z^2}$ 

Here is a curious graph indeed for so simple a function! The origin is mapped to 1. The real axis segment  $[0, 1]$  is mapped backwards (and non-linearly) into itself; the segment  $[1, +\infty]$  is mapped non-linearly onto the positive imaginary axis. The negative real axis is mapped to the same points as the positive real axis. Both halves of the imaginary axis are mapped into  $[1, +\infty]$  on the real axis. Horizontal lines become vaguely vertical, and vertical lines become vaguely horizontal. Circles centered at the origin are transformed into Cassinian (half-)ovals; the unit circle is mapped to a (half-)lemniscate of Bernoulli. The outermost annulus appears to have its *inner* edge at  $\pi$  on the real axis and its *outer* edge at 3 on the imaginary axis, but this is another accident; the intercept on the real axis, for example, is not really at  $\pi \approx 3.14\dots$  but at  $\sqrt{1 - (3i)^2} = \sqrt{10} \approx 3.16\dots$ .



Figure 12.20: Illustration of the Range of the Function  $\sqrt{1+z^2}$ 

The graph of  $q(z) = \sqrt{1+z^2}$  looks like that of  $p(z) = \sqrt{1-z^2}$  except for the shading. You might not expect  $p$  and  $q$  to be related in the same way that **cos** and **cosh** are, but after a little reflection (or perhaps I should say, after turning it around in one's mind) one can see that  $q(iz) = p(z)$ . This formula is indeed of exactly the same form as  $\cosh iz = \cos z$ . The function  $\sqrt{1+z^2}$  maps both halves of the real axis into  $[1, +\infty]$  on the real axis. The segments  $[0, i]$  and  $[0, -i]$  of the imaginary axis are each mapped backwards onto segment  $[0, 1]$  of the real axis;  $[i, +\infty i]$  and  $[-, -\infty i]$  are each mapped onto the positive imaginary axis (but if minus zero is supported then opposite sides of the imaginary axis map to opposite halves of the imaginary axis—for example,  $q(+0 + 2i) = \sqrt{5}i$  but  $q(-0 + 2i) = -\sqrt{5}i$ ).

Here is a sample of the PostScript code that generated figure 12.1, showing the initial scaling, translation, and clipping parameters; the code for one sector of the innermost annulus; and the code for the negative imaginary axis. Comment lines indicate how path or boundary segments were generated separately and then spliced (in order to allow for the places that a singularity might lurk, in which case the generating code can “inch up” to the problematical argument value).

The size of the entire PostScript file for the **identity** function was about 68 kilobytes (2757 lines, including comments). The smallest files were the plots for **atan** and **atanh**, about 65 kilobytes apiece; the largest were the plots for **sin**, **cos**, **sinh**, and **cosh**, about 138 kilobytes apiece.

```
% PostScript file for plot of function IDENTITY
% Plot is to fit in a region 4.666666666666667 inches square
% showing axes extending 4.1 units from the origin.

40.97560975609756 40.97560975609756 scale
4.1 4.1 translate
newpath
-4.1 -4.1 moveto
4.1 -4.1 lineto
4.1 4.1 lineto
-4.1 4.1 lineto
closepath
clip
% Moby grid for function IDENTITY
% Annulus 0.25 0.5 4 0.97 0.45
% Sector from 4.7124 to 6.2832 (quadrant 3)
newpath
0.0 -0.25 moveto
0.0 -0.375 lineto
%middle radial
0.0 -0.375 lineto
0.0 -0.5 lineto
%end radial
0.0 -0.5 lineto
0.092 -0.4915 lineto
0.1843 -0.4648 lineto
0.273 -0.4189 lineto
```

```

0.3536 -0.3536 lineto
%middle circumferential
0.3536 -0.3536 lineto
0.413 -0.2818 lineto
0.4594 -0.1974 lineto
0.4894 -0.1024 lineto
0.5 0.0 lineto
%end circumferential
0.5 0.0 lineto
0.375 0.0 lineto
%middle radial
0.375 0.0 lineto
0.25 0.0 lineto
%end radial
0.25 0.0 lineto
0.2297 -0.0987 lineto
0.1768 -0.1768 lineto
%middle circumferential
0.1768 -0.1768 lineto
0.0922 -0.2324 lineto
0.0 -0.25 lineto
%end circumferential
closepath
currentgray 0.45 setgray fill setgray
[2598 lines omitted]
% Vertical line from (0.0, -0.5) to (0.0, 0.0)
newpath
0.0 -0.5 moveto
0.0 0.0 lineto
0.05 setlinewidth 1 setlinecap stroke
% Vertical line from (0.0, -0.5) to (0.0, -1.0)
newpath
0.0 -0.5 moveto
0.0 -1.0 lineto
0.05 setlinewidth 1 setlinecap stroke
% Vertical line from (0.0, -2.0) to (0.0, -1.0)
newpath
0.0 -2.0 moveto
0.0 -1.0 lineto
0.05 setlinewidth 1 setlinecap stroke

```

```

% Vertical line from (0.0, -2.0) to (0.0, -1.1579208923731617E77)
newpath
  0.0 -2.0 moveto
  0.0 -6.3553 lineto
  0.0 -6.378103166302659 lineto
  0.0 -6.378103166302659 lineto
  0.0 -6.378103166302659 lineto
0.05 setlinewidth 1 setlinecap stroke
  [84 lines omitted]
% End of PostScript file for plot of function IDENTITY

```

Here is the program that generated the PostScript code for the graphs shown in figures 12.1 through 12.20. It contains a mixture of fairly general mechanisms and *ad hoc* kludges for plotting functions of a single complex argument while gracefully handling extremely large and small values, branch cuts, singularities, and periodic behavior. The aim was to provide a simple user interface that would not require the caller to provide special advice for each function to be plotted. The file for figure 12.1, for example, was generated by the call (**picture 'identity**), which resulted in the writing of a file named **identity-plot.ps**.

The program assumes that any periodic behavior will have a period that is a multiple of  $2\pi$ ; that branch cuts will fall along the real or imaginary axis; and that singularities or very large or small values will occur only at the origin, at  $\pm 1$  or  $\pm i$ , or on the boundaries of the annuli (particularly those with radius  $\pi/2$  or  $\pi$ ). The central function is **parametric-path**, which accepts four arguments: two real numbers that are the endpoints of an interval of real numbers, a function that maps this interval into a path in the complex plane, and the function to be plotted; the task of **parametric-path** is to generate PostScript code (a series of **lineto** operations) that will plot an approximation to the image of the parametric path as transformed by the function to be plotted. Each of the functions **hline**, **vline**, **-hline**, **-vline**, **radial**, and **circumferential** takes appropriate parameters and returns a function suitable for use as the third argument to **parametric-path**. There is some code that defends against errors (by using **ignore-errors**) and against certain peculiarities of IEEE floating-point arithmetic (the code that checks for not-a-number (NaN) results).

The program is offered here without further comment or apology.

```
(defparameter units-to-show 4.1)
(defparameter text-width-in-picas 28.0)
(defparameter device-pixels-per-inch 300)
(defparameter pixels-per-unit
  (* (/ (/ text-width-in-picas 6)
        (* units-to-show 2))
     device-pixels-per-inch))

(defparameter big (sqrt (sqrt most-positive-single-float)))
(defparameter tiny (sqrt (sqrt least-positive-single-float)))

(defparameter path-really-losing 1000.0)
(defparameter path-outer-limit (* units-to-show (sqrt 2) 1.1))
(defparameter path-minimal-delta (/ 10 pixels-per-unit))
(defparameter path-outer-delta (* path-outer-limit 0.3))
(defparameter path-relative-closeness 0.00001)
(defparameter back-off-delta 0.0005)
```

```

(defun comment-line (stream &rest stuff)
  (format stream "~%%%" " ")
  (apply #'format stream stuff)
  (format t "~%%%" " ")
  (apply #'format t stuff))

(defun parametric-path (from to paramfn plotfn)
  (assert (and (plusp from) (plusp to)))
  (flet ((domainval (x) (funcall paramfn x))
        (rangeval (x) (funcall plotfn (funcall paramfn x)))
        (losing (x) (or (null x)
                        (/= (realpart x) (realpart x)) ;NaN?
                        (/= (imagpart x) (imagpart x)) ;NaN?
                        (> (abs (realpart x)) path-really-losing)
                        (> (abs (imagpart x)) path-really-losing))))
    (when (> to 1000.0)
      (let ((f0 (rangeval from))
            (f1 (rangeval (+ from 1)))
            (f2 (rangeval (+ from (* 2 pi))))
            (f3 (rangeval (+ from 1 (* 2 pi))))
            (f4 (rangeval (+ from (* 4 pi)))))
        (flet ((close (x y)
                (or (< (careful-abs (- x y)) path-minimal-delta)
                    (< (careful-abs (- x y))
                        (* (+ (careful-abs x) (careful-abs y))
                           path-relative-closeness))))
            (when (and (close f0 f2)
                      (close f2 f4)
                      (close f1 f3)
                      (or (and (close f0 f1)
                              (close f2 f3))
                          (and (not (close f0 f1))
                              (not (close f2 f3)))))
              (format t "~&Periodicity detected."))
            (setq to (+ from (* (signum (- to from)) 2 pi)))))))

```

```
(let ((fromrange (ignore-errors (rangeval from)))
      (torange (ignore-errors (rangeval to))))
  (if (losing fromrange)
      (if (losing torange)
          '()
          (parametric-path (back-off from to) to paramfn plotfn))
      (if (losing torange)
          (parametric-path from (back-off to from) paramfn plotfn)
          (expand-path (refine-path (list from to) #'rangeval)
                       #'rangeval))))))
```

```
(defun back-off (point other)
  (if (or (> point 10.0) (< point 0.1))
      (let ((sp (sqrt point)))
        (if (or (> point sp other) (< point sp other))
            sp
            (* sp (sqrt other))))
      (+ point (* (signum (- other point)) back-off-delta))))
```

```
(defun careful-abs (z)
  (cond ((or (> (realpart z) big)
            (< (realpart z) (- big))
            (> (imagpart z) big)
            (< (imagpart z) (- big)))
        big)
  ((complexp z) (abs z))
  ((minusp z) (- z))
  (t z)))
```

```
(defparameter max-refinements 5000)
```

```
(defun refine-path (original-path rangevalfn)
  (flet ((rangeval (x) (funcall rangevalfn x)))
    (let ((path original-path))
      (do ((j 0 (+ j 1)))
          ((null (rest path)))
            (when (zerop (mod (+ j 1) max-refinements))
              (break "Runaway path")))
            (let* ((from (first path))
                  (to (second path))
                  (fromrange (rangeval from))
                  (torange (rangeval to))
                  (dist (careful-abs (- torange fromrange)))
                  (mid (* (sqrt from) (sqrt to)))
                  (midrange (rangeval mid))))
```



```

(cond ((or (and (far-out fromrange) (far-out torange))
           (and (< dist path-minimal-delta)
                (< (abs (- midrange fromrange))
                    path-minimal-delta)
                ;; Next test is intentionally asymmetric to
                ;; avoid problems with periodic functions.
                (< (abs (- (rangeval (/ (+ to (* from 1.5))
                                     2.5))
                          fromrange))
                    path-minimal-delta))))
      (pop path))
      ((= mid from) (pop path))
      ((= mid to) (pop path))
      (t (setf (rest path) (cons mid (rest path))))))
original-path)

(defun expand-path (path rangevalfn)
  (flet ((rangeval (x) (funcall rangevalfn x)))
    (let ((final-path (list (rangeval (first path)))))
      (do ((p (rest path) (cdr p)))
          ((null p)
           (unless (rest final-path)
                   (break "Singleton path")))
           (reverse final-path))
        (let ((v (rangeval (car p))))
          (cond ((and (rest final-path)
                      (not (far-out v))
                      (not (far-out (first final-path)))
                      (between v (first final-path)
                               (second final-path)))
                 (setf (first final-path) v))
                ((null (rest p)) ;Mustn't omit last point
                 (push v final-path))
                ((< (abs (- v (first final-path))) path-minimal-delta))
          ))
    ))

```

```

((far-out v)
 (unless (and (far-out (first final-path))
              (< (abs (- v (first final-path)))
                  path-outer-delta))
          (push (* 1.01 path-outer-limit (signum v))
                final-path)))
 (t (push v final-path))))))

(defun far-out (x)
  (> (careful-abs x) path-outer-limit))

(defparameter between-tolerance 0.000001)

(defun between (p q r)
  (let ((px (realpart p)) (py (imagpart p))
        (qx (realpart q)) (qy (imagpart q))
        (rx (realpart r)) (ry (imagpart r)))
    (and (or (<= px qx rx) (>= px qx rx))
         (or (<= py qy ry) (>= py qy ry))
         (< (abs (- (* (- qx px) (- ry qy))
                    (* (- rx qx) (- qy py))))
             between-tolerance))))

```

```

(defun circle (radius)
  #'(lambda (angle) (* radius (cis angle))))

(defun hline (imag)
  #'(lambda (real) (complex real imag)))

(defun vline (real)
  #'(lambda (imag) (complex real imag)))

(defun -hline (imag)
  #'(lambda (real) (complex (- real) imag)))

(defun -vline (real)
  #'(lambda (imag) (complex real (- imag))))

(defun radial (phi quadrant)
  #'(lambda (rho) (repair-quadrant (* rho (cis phi)) quadrant)))

(defun circumferential (rho quadrant)
  #'(lambda (phi) (repair-quadrant (* rho (cis phi)) quadrant)))

;;; Quadrant is 0, 1, 2, or 3, meaning I, II, III, or IV.

(defun repair-quadrant (z quadrant)
  (complex (* (+ (abs (realpart z)) tiny)
              (case quadrant (0 1.0) (1 -1.0) (2 -1.0) (3 1.0)))
           (* (+ (abs (imagpart z)) tiny)
              (case quadrant (0 1.0) (1 1.0) (2 -1.0) (3 -1.0)))))

(defun clamp-real (x)
  (if (far-out x)
      (* (signum x) path-outer-limit)
      (round-real x)))

(defun round-real (x)
  (/ (round (* x 10000.0)) 10000.0))

(defun round-point (z)
  (complex (round-real (realpart z)) (round-real (imagpart z))))

```

```
(defparameter hiringshade 0.97)
(defparameter loringshade 0.45)
```

```
(defparameter ticklength 0.12)
(defparameter smallticklength 0.09)
```

```

;;; This determines the pattern of lines and annuli to be drawn.
(defun moby-grid (&optional (fn 'sqrt) (stream t))
  (comment-line stream "Moby grid for function ~S" fn)
  (shaded-annulus 0.25 0.5 4 hiringshade loringshade fn stream)
  (shaded-annulus 0.75 1.0 8 hiringshade loringshade fn stream)
  (shaded-annulus (/ pi 2) 2.0 16 hiringshade loringshade fn stream)
  (shaded-annulus 3 pi 32 hiringshade loringshade fn stream)
  (moby-lines :horizontal 1.0 fn stream)
  (moby-lines :horizontal -1.0 fn stream)
  (moby-lines :vertical 1.0 fn stream)
  (moby-lines :vertical -1.0 fn stream)
  (let ((tickline 0.015)
        (axisline 0.008))
    (flet ((tick (n) (straight-line (complex n ticklength)
                                    (complex n (- ticklength))
                                    tickline
                                    stream))
            (smalltick (n) (straight-line (complex n smallticklength)
                                          (complex n (- smallticklength))
                                          tickline
                                          stream))))
      (comment-line stream "Real axis")
      (straight-line #c(-5 0) #c(5 0) axisline stream)
      (dotimes (j (floor units-to-show))
        (let ((q (+ j 1))) (tick q) (tick (- q))))
      (dotimes (j (floor units-to-show (/ pi 2)))
        (let ((q (* (/ pi 2) (+ j 1))))
          (smalltick q)
          (smalltick (- q))))
      (flet ((tick (n) (straight-line (complex ticklength n)
                                    (complex (- ticklength) n)
                                    tickline
                                    stream))
            (smalltick (n) (straight-line (complex smallticklength n)
                                          (complex (- smallticklength) n)
                                          tickline
                                          stream))))

```

```
(comment-line stream "Imaginary axis")
(straight-line #c(0 -5) #c(0 5) axisline stream)
(dotimes (j (floor units-to-show))
  (let ((q (+ j 1))) (tick q) (tick (- q))))
(dotimes (j (floor units-to-show (/ pi 2)))
  (let ((q (* (/ pi 2) (+ j 1))))
    (smalltick q)
    (smalltick (- q))))))
```

```

(defun straight-line (from to wid stream)
  (format stream
    "~%newpath ~S ~S moveto ~S ~S lineto ~S ~S
    setlinewidth 1 setlinecap stroke"
    (realpart from)
    (imagpart from)
    (realpart to)
    (imagpart to)
    wid))

;; This function draws the lines for the pattern.
(defun moby-lines (orientation signum plotfn stream)
  (let ((paramfn (ecase orientation
    (:horizontal (if (< signum 0) #'-hline #'hline))
    (:vertical (if (< signum 0) #'-vline #'vline))))))
    (flet ((foo (from to other wid)
      (ecase orientation
        (:horizontal
         (comment-line stream
          "Horizontal line from (~S, ~S) to (~S, ~S)"
          (round-real (* signum from))
          (round-real other)
          (round-real (* signum to))
          (round-real other))))
        (:vertical
         (comment-line stream
          "Vertical line from (~S, ~S) to (~S, ~S)"
          (round-real other)
          (round-real (* signum from))
          (round-real other)
          (round-real (* signum to))))))
      (postscript-path
       stream
       (parametric-path from
        to
        (funcall paramfn other)
        plotfn))
      (postscript-penstroke stream wid)))

```

```

(let* ((thick 0.05)
      (thin 0.02))
  ;; Main axis
  (foo 0.5 tiny 0.0 thick)
  (foo 0.5 1.0 0.0 thick)
  (foo 2.0 1.0 0.0 thick)
  (foo 2.0 big 0.0 thick)
  ;; Parallels at 1 and -1
  (foo 2.0 tiny 1.0 thin)
  (foo 2.0 big 1.0 thin)
  (foo 2.0 tiny -1.0 thin)
  (foo 2.0 big -1.0 thin)
  ;; Parallels at 2, 3, -2, -3
  (foo tiny big 2.0 thin)
  (foo tiny big -2.0 thin)
  (foo tiny big 3.0 thin)
  (foo tiny big -3.0 thin))))

(defun splice (p q)
  (let ((v (car (last p)))
        (w (first q)))
    (and (far-out v)
         (far-out w)
         (>= (abs (- v w)) path-outer-delta)
         ;; Two far-apart far-out points. Try to walk around
         ;; outside the perimeter, in the shorter direction.
         (let* ((pdiff (phase (/ v w)))
                (npoints (floor (abs pdiff) (asin .2)))
                (delta (/ pdiff (+ npoints 1)))
                (incr (cis delta)))
           (do ((j 0 (+ j 1))
               (p (list w "end splice") (cons (* (car p) incr) p)))
               ((= j npoints) (cons "start splice" p)))))))

;;; This function draws the annuli for the pattern.
(defun shaded-annulus (inner outer sectors firstshade lastshade fn stream)
  (assert (zerop (mod sectors 4)))
  (comment-line stream "Annulus ~S ~S ~S ~S ~S"
                 (round-real inner) (round-real outer)
                 sectors firstshade lastshade))

```



```

(dotimes (jj sectors)
  (let ((j (- sectors jj 1)))
    (let* ((lophase (+ tiny (* 2 pi (/ j sectors))))
           (hiphase (* 2 pi (/ (+ j 1) sectors)))
           (midphase (/ (+ lophase hiphase) 2.0))
           (midradius (/ (+ inner outer) 2.0))
           (quadrant (floor (* j 4) sectors)))
      (comment-line stream "Sector from ~S to ~S (quadrant ~S)"
                     (round-real lophase)
                     (round-real hiphase)
                     quadrant)
      (let ((p0 (reverse (parametric-path midradius
                               inner
                               (radial lophase quadrant)
                               fn)))
            (p1 (parametric-path midradius
                               outer
                               (radial lophase quadrant)
                               fn))
            (p2 (reverse (parametric-path midphase
                               lophase
                               (circumferential outer
                                quadrant)
                               fn)))
            (p3 (parametric-path midphase
                               hiphase
                               (circumferential outer quadrant)
                               fn))
            (p4 (reverse (parametric-path midradius
                               outer
                               (radial hiphase quadrant)
                               fn)))
            (p5 (parametric-path midradius
                               inner
                               (radial hiphase quadrant)
                               fn)))

```

```
(p6 (reverse (parametric-path midphase
              hiphase
              (circumferential inner
                quadrant)
              fn)))
(p7 (parametric-path midphase
      lophase
      (circumferential inner quadrant)
      fn)))
(postscript-closed-path stream
 (append
  p0 (splice p0 p1) '("middle radial")
  p1 (splice p1 p2) '("end radial")
  p2 (splice p2 p3) '("middle circumferential")
  p3 (splice p3 p4) '("end circumferential")
  p4 (splice p4 p5) '("middle radial")
  p5 (splice p5 p6) '("end radial")
  p6 (splice p6 p7) '("middle circumferential")
  p7 (splice p7 p0) '("end circumferential")
  )))
```

```

(postscript-shade stream
  (/ (+ (* firstshade (- (- sectors 1) j))
        (* lastshade j))
     (- sectors 1))))))

(defun postscript-penstroke (stream wid)
  (format stream "~%~S setlinewidth 1 setlinecap stroke"
    wid))

(defun postscript-shade (stream shade)
  (format stream "~%currentgray ~S setgray fill setgray"
    shade))

(defun postscript-closed-path (stream path)
  (unless (every #'far-out (remove-if-not #'numberp path))
    (postscript-raw-path stream path)
    (format stream "~% closepath")))

(defun postscript-path (stream path)
  (unless (every #'far-out (remove-if-not #'numberp path))
    (postscript-raw-path stream path)))

;;; Print a path as a series of PostScript "lineto" commands.
(defun postscript-raw-path (stream path)
  (format stream "~%newpath")
  (let ((fnt "~% ~S ~S moveto"))
    (dolist (pt path)
      (cond ((stringp pt)
              (format stream "~% %~A" pt))
            (t (format stream
                      fnt
                      (clamp-real (realpart pt))
                      (clamp-real (imagpart pt))))
              (setq fnt "~% ~S ~S lineto"))))))

;;; Definitions of functions to be plotted that are not
;;; standard Common Lisp functions.

(defun one-plus-over-one-minus (x) (/ (+ 1 x) (- 1 x)))

```

```
(defun one-minus-over-one-plus (x) (/ (- 1 x) (+ 1 x)))
```

```
(defun sqrt-square-minus-one (x) (sqrt (- 1 (* x x))))
```

```
(defun sqrt-one-plus-square (x) (sqrt (+ 1 (* x x))))
```

;;; Because X3J13 voted for a new definition of the atan function,  
 ;;; the following definition was used in place of the atan function  
 ;;; provided by the Common Lisp implementation I was using.

```
(defun good-atan (x)
  (/ (- (log (+ 1 (* x #c(0 1))))
      (log (- 1 (* x #c(0 1))))))
    #c(0 2)))
```

;;; Because the first edition had an erroneous definition of atanh,  
 ;;; the following definition was used in place of the atanh function  
 ;;; provided by the Common Lisp implementation I was using.

```
(defun really-good-atanh (x)
  (/ (- (log (+ 1 x))
      (log (- 1 x)))
    2))
```

;;; This is the main procedure that is intended to be called by a user.

```
(defun picture (&optional (fn #'sqrt))
  (with-open-file (stream (concatenate 'string
                                       (string-downcase (string fn))
                                       "-plot.ps")
                    :direction :output)
    (format stream "% PostScript file for plot of function ~S~%" fn)
    (format stream "% Plot is to fit in a region ~S inches square~%"
      (/ text-width-in-picas 6.0))
    (format stream
      "% showing axes extending ~S units from the origin.~%"
      units-to-show)
    (let ((scaling (/ (* text-width-in-picas 12) (* units-to-show 2))))
      (format stream "~%~S ~:*~S scale" scaling))
    (format stream "~%~S ~:*~S translate" units-to-show)
    (format stream "~%newpath")
    (format stream "~% ~S ~S moveto" (- units-to-show) (- units-to-show))
    (format stream "~% ~S ~S lineto" units-to-show (- units-to-show))
    (format stream "~% ~S ~S lineto" units-to-show units-to-show)
    (format stream "~% ~S ~S lineto" (- units-to-show) units-to-show)
    (format stream "~% closepath")
    (format stream "~%clip")))
```

```
(moby-grid fn stream)
(format stream
  "~%% End of PostScript file for plot of function ~S"
  fn)
(terpri stream)))
```

## 12.6 Type Conversions and Component Extractions on Numbers

While most arithmetic functions will operate on any kind of number, coercing types if necessary, the following functions are provided to allow specific conversions of data types to be forced when desired.

*[Function]* **float** *number* &*optional other*

This converts any non-complex number to a floating-point number. With no second argument, if *number* is already a floating-point number, then *number* is returned; otherwise a **single-float** is produced. If the argument *other* is provided, then it must be a floating-point number, and *number* is converted to the same format as *other*. See also **coerce**.

*[Function]* **rational** *number*

*[Function]* **rationalize** *number*

Each of these functions converts any non-complex number to a rational number. If the argument is already rational, it is returned. The two functions differ in their treatment of floating-point numbers.

**rational** assumes that the floating-point number is completely accurate and returns a rational number mathematically equal to the precise value of the floating-point number.

**rationalize** assumes that the floating-point number is accurate only to the precision of the floating-point representation and may return any rational number for which the floating-point number is the best available approximation of its format; in doing this it attempts to keep both numerator and denominator small.

It is always the case that

$(\text{float } (\text{rational } x) x) \equiv x$

and

$(\text{float } (\text{rationalize } x) x) \equiv x$

That is, rationalizing a floating-point number by either method and then converting it back to a floating-point number of the same format produces the original number. What distinguishes the two functions is that **rational** typically has a simple, inexpensive implementation, whereas **rationalize** goes to more trouble to produce a result that is more pleasant to view and simpler to compute with for some purposes.

*[Function]* **numerator** *rational*

*[Function]* **denominator** *rational*

These functions take a rational number (an integer or ratio) and return as an integer the numerator or denominator of the canonical reduced form of the rational. The numerator of an integer is that integer; the denominator of an integer is **1**. Note that

$(\text{gcd } (\text{numerator } x) (\text{denominator } x)) \Rightarrow 1$

The denominator will always be a strictly positive integer; the numerator may be any integer. For example:

$(\text{numerator } (/ 8 -6)) \Rightarrow -4$

$(\text{denominator } (/ 8 -6)) \Rightarrow 3$

There is no **fix** function in Common Lisp because there are several interesting ways to convert non-integral values to integers. These are provided by the functions below, which perform not only type conversion but also some non-trivial calculations as well.

*[Function]* **floor** *number &optional divisor*

*[Function]* **ceiling** *number &optional divisor*

*[Function]* **truncate** *number &optional divisor*

*[Function]* **round** *number &optional divisor*

In the simple one-argument case, each of these functions converts its argument *number* (which must not be complex) to an integer. If the argument is already an integer, it is returned directly. If the argument is a ratio or

floating-point number, the functions use different algorithms for the conversion.

**floor** converts its argument by truncating toward negative infinity; that is, the result is the largest integer that is not larger than the argument.

**ceiling** converts its argument by truncating toward positive infinity; that is, the result is the smallest integer that is not smaller than the argument.

**truncate** converts its argument by truncating toward zero; that is, the result is the integer of the same sign as the argument and which has the greatest integral magnitude not greater than that of the argument.

**round** converts its argument by rounding to the nearest integer; if *number* is exactly halfway between two integers (that is, of the form *integer* + 0.5), then it is rounded to the one that is even (divisible by 2).

The following table shows what the four functions produce when given various arguments.

Argument	floor	ceiling	truncate	round
2.6	2	3	2	3
2.5	2	3	2	2
2.4	2	3	2	2
0.7	0	1	0	1
0.3	0	1	0	0
-0.3	-1	0	0	0
-0.7	-1	0	0	-1
-2.4	-3	-2	-2	-2
-2.5	-3	-2	-2	-2
-2.6	-3	-2	-2	-3

If a second argument *divisor* is supplied, then the result is the appropriate type of rounding or truncation applied to the result of dividing the *number* by the *divisor*. For example, **(floor 5 2)**  $\equiv$  **(floor (/ 5 2))** but is potentially more efficient. This statement is not entirely accurate; one should instead say that **(values (floor 5 2))**  $\equiv$  **(values (floor (/ 5 2)))**, because there is a second value to consider, as discussed below. In other words, the first values returned by the two forms will be the same, but in general the second values will differ. Indeed, we have

(floor 5 2)  $\Rightarrow$  2 and 1  
 (floor (/ 5 2))  $\Rightarrow$  2 and 1/2



for this example. The *divisor* may be any non-complex number.

It is generally accepted that it is an error for the *divisor* to be zero.

The one-argument case is exactly like the two-argument case where the second argument is **1**.

In other words, the one-argument case returns an integer and fractional part for the *number*: (**truncate 5.3**)  $\Rightarrow$  **5.0 and 0.3**, for example. Each of the functions actually returns *two* values, whether given one or two arguments. The second result is the remainder and may be obtained using **multiple-value-bind** and related constructs. If any of these functions is given two arguments  $x$  and  $y$  and produces results  $q$  and  $r$ , then  $q \cdot y + r = x$ . The first result  $q$  is always an integer. The remainder  $r$  is an integer if both arguments are integers, is rational if both arguments are rational, and is floating-point if either argument is floating-point. One consequence is that in the one-argument case the remainder is always a number of the same type as the argument.

When only one argument is given, the two results are exact; the mathematical sum of the two results is always equal to the mathematical value of the argument.

[Function] **mod** *number divisor*

[Function] **rem** *number divisor*

**mod** performs the operation **floor** on its two arguments and returns the *second* result of **floor** as its only result. Similarly, **rem** performs the operation **truncate** on its arguments and returns the *second* result of **truncate** as its only result.

**mod** and **rem** are therefore the usual modulus and remainder functions when applied to two integer arguments. In general, however, the arguments may be integers or floating-point numbers.

(mod 13 4)  $\Rightarrow$  1

(mod -13 4)  $\Rightarrow$  3

(mod 13 -4)  $\Rightarrow$  -3

(mod -13 -4)  $\Rightarrow$  -1

(mod 13.4 1)  $\Rightarrow$  0.4

(mod -13.4 1)  $\Rightarrow$  0.6

(rem 13 4)  $\Rightarrow$  1

(rem -13 4)  $\Rightarrow$  -1

(rem 13 -4)  $\Rightarrow$  1

(rem -13 -4)  $\Rightarrow$  -1

(rem 13.4 1)  $\Rightarrow$  0.4

(rem -13.4 1)  $\Rightarrow$  -0.4

[Function] **ffloor** *number &optional divisor*

[Function] **fceiling** *number* &optional *divisor*  
 [Function] **ftruncate** *number* &optional *divisor*  
 [Function] **fround** *number* &optional *divisor*

These functions are just like **floor**, **ceiling**, **truncate**, and **round**, except that the result (the first result of two) is always a floating-point number rather than an integer. It is roughly as if **ffloor** gave its arguments to **floor**, and then applied **float** to the first result before passing them both back. In practice, however, **ffloor** may be implemented much more efficiently. Similar remarks apply to the other three functions. If the first argument is a floating-point number, and the second argument is not a floating-point number of longer format, then the first result will be a floating-point number of the same type as the first argument. For example:

(ffloor -4.7)  $\Rightarrow$  -5.0 and 0.3  
 (ffloor 3.5d0)  $\Rightarrow$  3.0d0 and 0.5d0

[Function] **decode-float** *float*  
 [Function] **scale-float** *float integer*  
 [Function] **float-radix** *float*  
 [Function] **float-sign** *float1* &optional *float2*  
 [Function] **float-digits** *float*  
 [Function] **float-precision** *float*  
 [Function] **integer-decode-float** *float*

The function **decode-float** takes a floating-point number and returns three values.

The first value is a new floating-point number of the same format representing the significand; the second value is an integer representing the exponent; and the third value is a floating-point number of the same format indicating the sign ( $-1.0$  or  $1.0$ ). Let  $b$  be the radix for the floating-point representation; then **decode-float** divides the argument by an integral power of  $b$  so as to bring its value between  $1/b$  (inclusive) and  $1$  (exclusive) and returns the quotient as the first value. If the argument is zero, however, the result is equal to the absolute value of the argument (that is, if there is a negative zero, its significand is considered to be a positive zero).

The second value of **decode-float** is the integer exponent  $e$  to which  $b$  must be raised to produce the appropriate power for the division. If the argument is zero, any integer value may be returned, provided that the identity shown below for **scale-float** holds.

The third value of **decode-float** is a floating-point number, of the same format as the argument, whose absolute value is 1 and whose sign matches that of the argument.

The function **scale-float** takes a floating-point number  $f$  (not necessarily between  $1/b$  and 1) and an integer  $k$ , and returns **(\* f (expt (float b f) k))**. (The use of **scale-float** may be much more efficient than using exponentiation and multiplication and avoids intermediate overflow and underflow if the final result is representable.)

Note that

```
(multiple-value-bind (signif expon sign)
  (decode-float f)
  (scale-float signif expon))
≡ (abs f)
```

and

```
(multiple-value-bind (signif expon sign)
  (decode-float f)
  (* (scale-float signif expon) sign))
≡ f
```

The function **float-radix** returns (as an integer) the radix  $b$  of the floating-point argument.

The function **float-sign** returns a floating-point number  $z$  such that  $z$  and *float1* have the same sign and also such that  $z$  and *float2* have the same absolute value. The argument *float2* defaults to the value of **(float 1 float1)**; **(float-sign x)** therefore always produces a **1.0** or **-1.0** of appropriate format according to the sign of  $x$ . (Note that if an implementation has distinct representations for negative zero and positive zero, then **(float-sign -0.0)**  $\Rightarrow$  **-1.0**.)

The function **float-digits** returns, as a non-negative integer, the number of radix- $b$  digits used in the representation of its argument (including any implicit digits, such as a “hidden bit”). The function **float-precision** returns, as a non-negative integer, the number of significant radix- $b$  digits present in the argument; if the argument is (a floating-point) zero, then the result is (an integer) zero. For normalized floating-point numbers, the results of **float-digits** and **float-precision** will be the same, but the precision will be less than the number of representation digits for a denormalized or zero number.

The function **integer-decode-float** is similar to **decode-float** but for its first value returns, as an **integer**, the significand scaled so as to be an integer. For an argument  $f$ , this integer will be strictly less than

(**expt**  $b$  (**float-precision**  $f$ ))

but no less than

(**expt**  $b$  (- (**float-precision**  $f$ ) 1))

except that if  $f$  is zero, then the integer value will be zero.

The second value bears the same relationship to the first value as for **decode-float**:

(multiple-value-bind (signif expon sign)  
                           (integer-decode-float  $f$ )  
 (scale-float (float signif  $f$ ) expon))  
 $\equiv$  (abs  $f$ )

The third value of **integer-decode-float** will be **1** or **-1**.

---

**Rationale:** These functions allow the writing of machine-independent, or at least machine-parameterized, floating-point software of reasonable efficiency.

---

[Function] **complex** *realpart* &optional *imagpart*

The arguments must be non-complex numbers; a number is returned that has *realpart* as its real part and *imagpart* as its imaginary part, possibly converted according to the rule of floating-point contagion (thus both components will be of the same type). If *imagpart* is not specified, then (**coerce** **0** (**type-of** *realpart*)) is effectively used. Note that if both the *realpart* and *imagpart* are rational and the *imagpart* is zero, then the result is just the *realpart* because of the rule of canonical representation for complex rationals. It follows that the result of **complex** is not always a complex number; it may be simply a **rational**.

[Function] **realpart** *number*

[Function] **imagpart** *number*

These return the real and imaginary parts of a complex number. If *number* is a non-complex number, then **realpart** returns its argument *number* and

**imagpart** returns (**\* 0 number**), which has the effect that the imaginary part of a rational is **0** and that of a floating-point number is a floating-point zero of the same format.

A clever way to multiply a complex number  $z$  by  $i$  is to write

(complex (- (imagpart  $z$ )) (realpart  $z$ ))

instead of (**\*  $z$  #c(0 1)**). This cleverness is not always gratuitous; it may be of particular importance in the presence of minus zero. For example, if we are using IEEE standard floating-point arithmetic and  $z = 4 + 0i$ , the result of the clever expression is  $-0 + 4i$ , a true  $90^\circ$  rotation of  $z$ , whereas the result of (**\*  $z$  #c(0 1)**) is likely to be

$$\begin{aligned} (4 + 0i)(+0 + i) &= ((4)(+0) - (+0)(1)) + ((4)(1) + (+0)(+0))i \\ &= ((+0) - (+0)) + ((4) + (+0))i = +0 + 4i \end{aligned}$$

which could land on the wrong side of a branch cut, for example.

## 12.7 Logical Operations on Numbers

The logical operations in this section require integers as arguments; it is an error to supply a non-integer as an argument. The functions all treat integers as if they were represented in two's-complement notation.

---

**Implementation note:** Internally, of course, an implementation of Common Lisp may or may not use a two's-complement representation. All that is necessary is that the logical operations perform calculations so as to give this appearance to the user.

---

The logical operations provide a convenient way to represent an infinite vector of bits. Let such a conceptual vector be indexed by the non-negative integers. Then bit  $j$  is assigned a “weight”  $2^j$ . Assume that only a finite number of bits are 1's or only a finite number of bits are 0's. A vector with only a finite number of one-bits is represented as the sum of the weights of the one-bits, a positive integer. A vector with only a finite number of zero-bits is represented as **-1** minus the sum of the weights of the zero-bits, a negative integer.

This method of using integers to represent bit-vectors can in turn be used to represent sets. Suppose that some (possibly countably infinite) universe

of discourse for sets is mapped into the non-negative integers. Then a set can be represented as a bit vector; an element is in the set if the bit whose index corresponds to that element is a one-bit. In this way all finite sets can be represented (by positive integers), as well as all sets whose complement are finite (by negative integers). The functions **logior**, **logand**, and **logxor** defined below then compute the union, intersection, and symmetric difference operations on sets represented in this way.

[Function] **logior** &rest integers

This returns the bit-wise logical *inclusive or* of its arguments. If no argument is given, then the result is zero, which is an identity for this operation.

[Function] **logxor** &rest integers

This returns the bit-wise logical *exclusive or* of its arguments. If no argument is given, then the result is zero, which is an identity for this operation.

[Function] **logand** &rest integers

This returns the bit-wise logical *and* of its arguments. If no argument is given, then the result is **-1**, which is an identity for this operation.

[Function] **logeqv** &rest integers

This returns the bit-wise logical *equivalence* (also known as *exclusive nor*) of its arguments. If no argument is given, then the result is **-1**, which is an identity for this operation.

[Function] **lognand** integer1 integer2

[Function] **lognor** integer1 integer2

[Function] **logandc1** integer1 integer2

[Function] **logandc2** integer1 integer2

[Function] **logorc1** integer1 integer2

[Function] **logorc2** integer1 integer2

These are the other six non-trivial bit-wise logical operations on two arguments. Because they are not associative, they take exactly two arguments rather than any non-negative number of arguments.

$(\text{lognand } n1 \ n2) \equiv (\text{lognot } (\text{logand } n1 \ n2))$   
 $(\text{lognor } n1 \ n2) \equiv (\text{lognot } (\text{logior } n1 \ n2))$   
 $(\text{logandc1 } n1 \ n2) \equiv (\text{logand } (\text{lognot } n1) \ n2)$   
 $(\text{logandc2 } n1 \ n2) \equiv (\text{logand } n1 \ (\text{lognot } n2))$   
 $(\text{logorc1 } n1 \ n2) \equiv (\text{logior } (\text{lognot } n1) \ n2)$   
 $(\text{logorc2 } n1 \ n2) \equiv (\text{logior } n1 \ (\text{lognot } n2))$

The ten bit-wise logical operations on two integers are summarized in the following table:

<i>integer1</i>	0	0	1	1	
<i>integer2</i>	0	1	0	1	Operation Name
logand	0	0	0	1	and
logior	0	1	1	1	inclusive or
logxor	0	1	1	0	exclusive or
logeqv	1	0	0	1	equivalence (exclusive nor)
lognand	1	1	1	0	not-and
lognor	1	0	0	0	not-or
logandc1	0	1	0	0	and complement of <i>integer1</i> with <i>integer2</i>
logandc2	0	0	1	0	and <i>integer1</i> with complement of <i>integer2</i>
logorc1	1	1	0	1	or complement of <i>integer1</i> with <i>integer2</i>
logorc2	1	0	1	1	or <i>integer1</i> with complement of <i>integer2</i>

---

*[Function]* **boole** *op integer1 integer2*

*[Constant]* **boole-clr**

*[Constant]* **boole-set**

*[Constant]* **boole-1**

*[Constant]* **boole-2**

*[Constant]* **boole-c1**

*[Constant]* **boole-c2**

*[Constant]* **boole-and**

*[Constant]* **boole-ior**

*[Constant]* **boole-xor**

*[Constant]* **boole-eqv**

*[Constant]* **boole-nand**

*[Constant]* **boole-nor**

*[Constant]* **boole-andc1**

[Constant] **boole-andc2**

[Constant] **boole-orc1**

[Constant] **boole-orc2**

The function **boole** takes an operation *op* and two integers, and returns an integer produced by performing the logical operation specified by *op* on the two integers. The precise values of the sixteen constants are implementation-dependent, but they are suitable for use as the first argument to **boole**:

<i>integer1</i>	0	0	1	1	
<i>integer2</i>	0	1	0	1	Operation Performed
<b>boole-clr</b>	0	0	0	0	always 0
<b>boole-set</b>	1	1	1	1	always 1
<b>boole-1</b>	0	0	1	1	<i>integer1</i>
<b>boole-2</b>	0	1	0	1	<i>integer2</i>
<b>boole-c1</b>	1	1	0	0	complement of <i>integer1</i>
<b>boole-c2</b>	1	0	1	0	complement of <i>integer2</i>
<b>boole-and</b>	0	0	0	1	and
<b>boole-ior</b>	0	1	1	1	inclusive or
<b>boole-xor</b>	0	1	1	0	exclusive or
<b>boole-eqv</b>	1	0	0	1	equivalence (exclusive nor)
<b>boole-nand</b>	1	1	1	0	not-and
<b>boole-nor</b>	1	0	0	0	not-or
<b>boole-andc1</b>	0	1	0	0	and complement of <i>integer1</i> with <i>integer2</i>
<b>boole-andc2</b>	0	0	1	0	and <i>integer1</i> with complement of <i>integer2</i>
<b>boole-orc1</b>	1	1	0	1	or complement of <i>integer1</i> with <i>integer2</i>
<b>boole-orc2</b>	1	0	1	1	or <i>integer1</i> with complement of <i>integer2</i>

**boole** can therefore compute all sixteen logical functions on two arguments. In general,

$(\text{boole } \text{boole-and } x \ y) \equiv (\text{logand } x \ y)$

and the latter is more perspicuous. However, **boole** is useful when it is necessary to parameterize a procedure so that it can use one of several logical operations.

[Function] **lognot** *integer*

This returns the bit-wise logical *not* of its argument. Every bit of the result is the complement of the corresponding bit in the argument.



$(\text{logbitp } j \text{ (lognot } x)) \equiv (\text{not (logbitp } j \text{ } x))$

[Function] **logtest** *integer1 integer2*

**logtest** is a predicate that is true if any of the bits designated by the 1's in *integer1* are 1's in *integer2*.

$(\text{logtest } x \text{ } y) \equiv (\text{not (zerop (logand } x \text{ } y)))$

[Function] **logbitp** *index integer*

**logbitp** is true if the bit in *integer* whose index is *index* (that is, its weight is  $2^{\text{index}}$ ) is a one-bit; otherwise it is false. For example:

$(\text{logbitp } 2 \text{ } 6)$  is true

$(\text{logbitp } 0 \text{ } 6)$  is false

$(\text{logbitp } k \text{ } n) \equiv (\text{ldb-test (byte 1 } k \text{ } n))$

The *index* must be a non-negative integer.

[Function] **ash** *integer count*

This function shifts *integer* arithmetically left by *count* bit positions if *count* is positive, or right by  $-count$  bit positions if *count* is negative. The sign of the result is always the same as the sign of *integer*.

Mathematically speaking, this operation performs the computation  $\text{floor}(integer \cdot 2^{\text{count}})$ .

Logically, this moves all of the bits in *integer* to the left, adding zero-bits at the bottom, or moves them to the right, discarding bits. (In this context the question of what gets shifted in on the left is irrelevant; integers, viewed as strings of bits, are “half-infinite,” that is, conceptually extend infinitely far to the left.) For example:

$(\text{logbitp } j \text{ (ash } n \text{ } k)) \equiv (\text{and } (>= j \text{ } k) \text{ (logbitp } (- j \text{ } k) \text{ } n))$

[Function] **logcount** *integer*

The number of bits in *integer* is determined and returned. If *integer* is positive, the **1**-bits in its binary representation are counted. If *integer* is negative, the **0**-bits in its two's-complement binary representation are counted. The result is always a non-negative integer. For example:

```
(logcount 13) ⇒ 3    ;Binary representation is ...0001101
(logcount -13) ⇒ 2   ;Binary representation is ...1110011
(logcount 30) ⇒ 4    ;Binary representation is ...0011110
(logcount -30) ⇒ 4   ;Binary representation is ...1100010
```

The following identity always holds:

```
(logcount x) ≡ (logcount (- (+ x 1)))
               ≡ (logcount (lognot x))
```

*[Function]* **integer-length** *integer*

This function performs the computation

```
ceiling(log2(if integer < 0 then - integer else integer + 1))
```

This is useful in two different ways. First, if *integer* is non-negative, then its value can be represented in unsigned binary form in a field whose width in bits is no smaller than (**integer-length** *integer*). Second, regardless of the sign of *integer*, its value can be represented in signed binary two's-complement form in a field whose width in bits is no smaller than (+ (**integer-length** *integer*) 1). For example:

```
(integer-length 0) ⇒ 0
(integer-length 1) ⇒ 1
(integer-length 3) ⇒ 2
(integer-length 4) ⇒ 3
(integer-length 7) ⇒ 3
(integer-length -1) ⇒ 0
(integer-length -4) ⇒ 2
(integer-length -7) ⇒ 3
(integer-length -8) ⇒ 3
```

## 12.8 Byte Manipulation Functions

Several functions are provided for dealing with an arbitrary-width field of contiguous bits appearing anywhere in an integer. Such a contiguous set of bits is called a *byte*. Here the term *byte* does not imply some fixed number of bits (such as eight), rather a field of arbitrary and user-specifiable width.

The byte-manipulation functions use objects called *byte specifiers* to designate a specific byte position within an integer. The representation of a byte specifier is implementation-dependent; in particular, it may or may not be a number. It is sufficient to know that the function **byte** will construct one, and that the byte-manipulation functions will accept them. The function **byte** accepts two integers representing the *position* and *size* of the byte and returns a byte specifier. Such a specifier designates a byte whose width is *size* and whose bits have weights  $2^{\text{position}+\text{size}-1}$  through  $2^{\text{position}}$ .

[Function] **byte** *size position*

**byte** takes two integers representing the size and position of a byte and returns a byte specifier suitable for use as an argument to byte-manipulation functions.

[Function] **byte-size** *bytespec*

[Function] **byte-position** *bytespec*

Given a byte specifier, **byte-size** returns the size specified as an integer; **byte-position** similarly returns the position. For example:

(byte-size (byte *j k*))  $\equiv j$   
 (byte-position (byte *j k*))  $\equiv k$

[Function] **ldb** *bytespec integer*

*bytespec* specifies a byte of *integer* to be extracted. The result is returned as a non-negative integer. For example:

(logbitp *j* (ldb (byte *s p*) *n*))  $\equiv$  (and (< *j s*) (logbitp (+ *j p*) *n*))

The name of the function **ldb** means “load byte.”

If the argument *integer* is specified by a form that is a *place* form acceptable to **setf**, then **setf** may be used with **ldb** to modify a byte within the integer that is stored in that *place*. The effect is to perform a **dpb** operation and then store the result back into the *place*.

[Function] **ldb-test** *bytespec integer*

**ldb-test** is a predicate that is true if any of the bits designated by the byte specifier *bytespec* are 1's in *integer*; that is, it is true if the designated field is non-zero.

$(\text{ldb-test bytespec } n) \equiv (\text{not } (\text{zerop } (\text{ldb bytespec } n)))$

*[Function]* **mask-field** *bytespec integer*

This is similar to **ldb**; however, the result contains the specified byte of *integer* in the position specified by *bytespec*, rather than in position 0 as with **ldb**. The result therefore agrees with *integer* in the byte specified but has zero-bits everywhere else. For example:

$(\text{ldb } bs \text{ (mask-field } bs \text{ } n)) \equiv (\text{ldb } bs \text{ } n)$

$(\text{logbitp } j \text{ (mask-field (byte } s \text{ } p) \text{ } n))$   
 $\equiv (\text{and } (>= j \text{ } p) (< j \text{ } (+ p \text{ } s)) (\text{logbitp } j \text{ } n))$

$(\text{mask-field } bs \text{ } n) \equiv (\text{logand } n \text{ (dpb -1 } bs \text{ 0)})$

If the argument *integer* is specified by a form that is a *place* form acceptable to **setf**, then **setf** may be used with **mask-field** to modify a byte within the integer that is stored in that *place*. The effect is to perform a **deposit-field** operation and then store the result back into the *place*.

*[Function]* **dpb** *newbyte bytespec integer*

This returns a number that is the same as *integer* except in the bits specified by *bytespec*. Let *s* be the size specified by *bytespec*; then the low *s* bits of *newbyte* appear in the result in the byte specified by *bytespec*. The integer *newbyte* is therefore interpreted as being right-justified, as if it were the result of **ldb**. For example:

$(\text{logbitp } j \text{ (dpb } m \text{ (byte } s \text{ } p) \text{ } n))$   
 $\equiv (\text{if } (\text{and } (>= j \text{ } p) (< j \text{ } (+ p \text{ } s)))$   
 $\quad (\text{logbitp } (- j \text{ } p) \text{ } m)$   
 $\quad (\text{logbitp } j \text{ } n))$

The name of the function **dpb** means “deposit byte.”

*[Function]* **deposit-field** *newbyte bytespec integer*

This function is to **mask-field** as **dpb** is to **ldb**. The result is an integer that contains the bits of *newbyte* within the byte specified by *bytespec*, and elsewhere contains the bits of *integer*. For example:

```
(logbitp j (deposit-field m (byte s p) n))
≡ (if (and (>= j p) (< j (+ p s)))
      (logbitp j m)
      (logbitp j n))
```

---

**Implementation note:** If the *bytespec* is a constant, one may of course construct, at compile time, an equivalent mask *m*, for example by computing (**deposit-field -1 bytespec 0**). Given this mask *m*, one may then compute

```
(deposit-field newbyte bytespec integer)
```

by computing

```
(logior (logand newbyte m) (logand integer (lognot m)))
```

where the result of (**lognot m**) can of course also be computed at compile time. However, the following expression may also be used and may require fewer temporary registers in some situations:

```
(logxor integer (logand m (logxor integer newbyte)))
```

A related, though possibly less useful, trick is that

```
(let ((z (logand (logxor x y) m)))
      (setq x (logxor z x))
      (setq y (logxor z y)))
```

interchanges those bits of **x** and **y** for which the mask **m** is **1**, and leaves alone those bits of **x** and **y** for which **m** is **0**.

---

## 12.9 Random Numbers

The Common Lisp facility for generating pseudo-random numbers has been carefully defined to make its use reasonably portable. While two implementations may produce different series of pseudo-random numbers, the distribution of values should be relatively independent of such machine-dependent aspects as word size.

[Function] **random** *number* &optional *state*

(**random** *n*) accepts a positive number *n* and returns a number of the same kind between zero (inclusive) and *n* (exclusive). The number *n* may be an integer or a floating-point number. An approximately uniform choice distribution is used. If *n* is an integer, each of the possible results occurs with (approximate) probability  $1/n$ . (The qualifier “approximate” is used because of implementation considerations; in practice, the deviation from uniformity should be quite small.)

The argument *state* must be an object of type **random-state**; it defaults to the value of the variable **\*random-state\***. This object is used to maintain the state of the pseudo-random-number generator and is altered as a side effect of the **random** operation.

---

**Implementation note:** In general, even if **random** of zero arguments were defined as in MacLisp, it is not adequate to define (**random** *n*) for integral *n* to be simply (**mod** (**random**) *n*); this fails to be uniformly distributed if *n* is larger than the largest number produced by **random**, or even if *n* merely approaches this number. This is another reason for omitting **random** of zero arguments in Common Lisp. Assuming that the underlying mechanism produces “random bits” (possibly in chunks such as fixnums), the best approach is to produce enough random bits to construct an integer *k* some number *d* of bits larger than (**integer-length** *n*) (see **integer-length**), and then compute (**mod** *k* *n*). The quantity *d* should be at least 7, and preferably 10 or more.

To produce random floating-point numbers in the half-open range  $[A, B)$ , accepted practice (as determined by a look through the *Collected Algorithms from the ACM*, particularly algorithms 133, 266, 294, and 370) is to compute  $X \cdot (B - A) + A$ , where *X* is a floating-point number uniformly distributed over  $[0.0, 1.0)$  and computed by calculating a random integer *N* in the range  $[0, M)$  (typically by a multiplicative-congruential or linear-congruential method mod *M*) and then setting  $X = N/M$ . See also [27]. If one takes  $M = 2^f$ , where *f* is the length of the significand of a floating-point number (and it is in fact common to choose *M* to be a power of 2), then this method is equivalent to the following assembly-language-level procedure. Assume the representation has no hidden bit. Take a floating-point 0.5, and clobber its entire significand with random bits. Normalize the result if necessary.

For example, on the DEC PDP-10, assume that accumulator **T** is completely random (all 36 bits are random). Then the code sequence

```
LSH T,-9           ;Clear high 9 bits; low 27 are random
FSC T,128.         ;Install exponent and normalize
```

will produce in **T** a random floating-point number uniformly distributed over  $[0.0, 1.0)$ . (Instead of the **LSH** instruction, one could do

```
TLZ T,777000      ;That's 777000 octal
```

but if the 36 random bits came from a congruential random-number generator, the high-order bits tend to be “more random” than the low-order ones, and so the **LSH** would be better for uniform distribution. Ideally all the bits would be the result of high-quality randomness.)

With a hidden-bit representation, normalization is not a problem, but dealing with the hidden bit is. The method can be adapted as follows. Take a floating-point 1.0 and clobber the explicit significand bits with random bits; this produces a random floating-point number in the range  $[1.0, 2.0)$ . Then simply subtract 1.0. In effect, we let the hidden bit creep in and then subtract it away again.

For example, on the DEC VAX, assume that register **T** is completely random (but a little less random than on the PDP-10, as it has only 32 random bits). Then the code sequence

```
INSV #^X81,#7,#9,T    ;Install correct sign bit and exponent
SUBF #^F1.0,T         ;Subtract 1.0
```

will produce in **T** a random floating-point number uniformly distributed over  $[0.0, 1.0)$ . Again, if the low-order bits are not random enough, then the instruction

```
ROTL #7,T
```

should be performed first.

Implementors may wish to consult reference [41] for a discussion of some efficient methods of generating pseudo-random numbers.

*[Variable]* **\*random-state\***

This variable holds a data structure, an object of type **random-state**, that encodes the internal state of the random-number generator that **random** uses by default. The nature of this data structure is implementation-dependent. It may be printed out and successfully read back in, but may or may not function correctly as a random-number state object in another implementation. A call to **random** will perform a side effect on this data structure. Lambda-binding this variable to a different random-number state object will correctly save and restore the old state object.

[Function] **make-random-state** &optional *state*

This function returns a new object of type **random-state**, suitable for use as the value of the variable **\*random-state\***. If *state* is **nil** or omitted, **make-random-state** returns a *copy* of the current random-number state object (the value of the variable **\*random-state\***). If *state* is a state object, a copy of that state object is returned. If *state* is **t**, then a new state object is returned that has been “randomly” initialized by some means (such as by a time-of-day clock).

---

**Rationale:** Common Lisp purposely provides no way to initialize a **random-state** object from a user-specified “seed.” The reason for this is that the number of bits of state information in a **random-state** object may vary widely from one implementation to another, and there is no simple way to guarantee that any user-specified seed value will be “random enough.” Instead, the initialization of **random-state** objects is left to the implementor in the case where the argument **t** is given to **make-random-state**.

To handle the common situation of executing the same program many times in a reproducible manner, where that program uses **random**, the following procedure may be used:

1. Evaluate (**make-random-state t**) to create a **random-state** object.
2. Write that object to a file, using **print**, for later use.
3. Whenever the program is to be run, first use **read** to create a copy of the **random-state** object from the printed representation in the file. Then use the **random-state** object newly created by the **read** operation to initialize the random-number generator for the program.

It is for the sake of this procedure for reproducible execution that implementations are required to provide a read/print syntax for objects of type **random-state**.

It is also possible to make copies of a **random-state** object directly without going through the print/read process, simply by using the **make-random-state** function to copy the object; this allows the same sequence of random numbers to be generated many times within a single program.

---

**Implementation note:** A recommended way to implement the type **random-state** is effectively to use the machinery for **defstruct**. The usual structure syntax may then be used for printing **random-state** objects; one might look something like

```
#S(RANDOM-STATE DATA #(14 49 98436589 786345 8734658324 ...))
```



where the components are of course completely implementation-dependent.

---

*[Function]* **random-state-p** *object*

**random-state-p** is true if its argument is a random-state object, and otherwise is false.

(random-state-p *x*)  $\equiv$  (typep *x* 'random-state)

## 12.10 Implementation Parameters

The values of the named constants defined in this section are implementation-dependent. They may be useful for parameterizing code in some situations.

*[Constant]* **most-positive-fixnum**

*[Constant]* **most-negative-fixnum**

The value of **most-positive-fixnum** is that fixnum closest in value to positive infinity provided by the implementation.

The value of **most-negative-fixnum** is that fixnum closest in value to negative infinity provided by the implementation.

X3J13 voted in January 1989 to specify that **fixnum** must be a supertype of the type (**signed-byte 16**), and additionally that the value of **array-dimension-limit** must be a fixnum. This implies that the value of **most-negative-fixnum** must be less than or equal to  $-2^{15}$ , and the value of **most-positive-fixnum** must be greater than or equal to both  $2^{15} - 1$  and the value of **array-dimension-limit**.

*[Constant]* **most-positive-short-float**

*[Constant]* **least-positive-short-float**

*[Constant]* **least-negative-short-float**

*[Constant]* **most-negative-short-float**

The value of **most-positive-short-float** is that short-format floating-point number closest in value to (but not equal to) positive infinity provided by the implementation.

The value of **least-positive-short-float** is that positive short-format floating-point number closest in value to (but not equal to) zero provided by the implementation.

The value of **least-negative-short-float** is that negative short-format floating-point number closest in value to (but not equal to) zero provided by the implementation. (Note that even if an implementation supports minus zero as a distinct short floating-point value, **least-negative-short-float** must not be minus zero.)

X3J13 voted in June 1989 to clarify that these definitions are to be taken quite literally. In implementations that support denormalized numbers, the values of **least-positive-short-float** and **least-negative-short-float** may be denormalized.

The value of **most-negative-short-float** is that short-format floating-point number closest in value to (but not equal to) negative infinity provided by the implementation.

*[Constant]* **most-positive-single-float**  
*[Constant]* **least-positive-single-float**  
*[Constant]* **least-negative-single-float**  
*[Constant]* **most-negative-single-float**  
*[Constant]* **most-positive-double-float**  
*[Constant]* **least-positive-double-float**  
*[Constant]* **least-negative-double-float**  
*[Constant]* **most-negative-double-float**  
*[Constant]* **most-positive-long-float**  
*[Constant]* **least-positive-long-float**  
*[Constant]* **least-negative-long-float**  
*[Constant]* **most-negative-long-float**

These are analogous to the constants defined above for short-format floating-point numbers.

*[Constant]* **least-positive-normalized-short-float**  
*[Constant]* **least-negative-normalized-short-float**

X3J13 voted in June 1989 to add these constants to the language.

The value of **least-positive-normalized-short-float** is that positive normalized short-format floating-point number closest in value to (but not equal to) zero provided by the implementation. In implementations that do not support denormalized numbers this may be the same as the value of **least-positive-short-float**.

The value of **least-negative-normalized-short-float** is that negative normalized short-format floating-point number closest in value to (but not equal to) zero provided by the implementation. (Note that even if an implementation supports minus zero as a distinct short floating-point value, **least-negative-normalized-short-float** must not be minus zero.) In implementations that do not support denormalized numbers this may be the same as the value of **least-positive-short-float**.

*[Constant]* **least-positive-normalized-single-float**  
*[Constant]* **least-negative-normalized-single-float**  
*[Constant]* **least-positive-normalized-double-float**  
*[Constant]* **least-negative-normalized-double-float**  
*[Constant]* **least-positive-normalized-long-float**  
*[Constant]* **least-negative-normalized-long-float**

These are analogous to the constants defined above for short-format floating-point numbers.

*[Constant]* **short-float-epsilon**  
*[Constant]* **single-float-epsilon**  
*[Constant]* **double-float-epsilon**  
*[Constant]* **long-float-epsilon**

These constants have as value, for each floating-point format, the smallest positive floating-point number  $e$  of that format such that the expression

(not (= (float 1  $e$ ) (+ (float 1  $e$ )  $e$ )))

is true when actually evaluated.

*[Constant]* **short-float-negative-epsilon**  
*[Constant]* **single-float-negative-epsilon**  
*[Constant]* **double-float-negative-epsilon**  
*[Constant]* **long-float-negative-epsilon**

These constants have as value, for each floating-point format, the smallest positive floating-point number  $e$  of that format such that the expression

(not (= (float 1  $e$ ) (- (float 1  $e$ )  $e$ )))

is true when actually evaluated.



# Chapter 13

## Characters

Common Lisp provides a character data type; objects of this type represent printed symbols such as letters.

In general, characters in Common Lisp are not true objects; **eq** cannot be counted upon to operate on them reliably. In particular, it is possible that the expression

```
(let ((x z) (y z)) (eq x y))
```

may be false rather than true, if the value of **z** is a character.

---

**Rationale:** This odd breakdown of **eq** in the case of characters allows the implementor enough design freedom to produce exceptionally efficient code on conventional architectures. In this respect the treatment of characters exactly parallels that of numbers, as described in chapter 12.

---

If two objects are to be compared for “identity,” but either might be a character, then the predicate **eq** is probably appropriate.

### 13.1 Character Attributes

*[Constant]* **char-code-limit**

The value of **char-code-limit** is a non-negative integer that is the upper exclusive bound on values produced by the function **char-code**, which returns the *code* component of a given character; that is, the values returned by

Table 13.1: Standard Character Labels, Glyphs, and Descriptions

	<b>SM05</b> @ commercial at	<b>SD13</b> ‘ grave accent
<b>SP02</b> ! exclamation mark	<b>LA02</b> A capital A	<b>LA01</b> a small a
<b>SP04</b> " quotation mark	<b>LB02</b> B capital B	<b>LB01</b> b small b
<b>SM01</b> #number sign	<b>LC02</b> C capital C	<b>LC01</b> c small c
<b>SC03</b> \$ dollar sign	<b>LD02</b> D capital D	<b>LD01</b> d small d
<b>SM02</b> %percent sign	<b>LE02</b> E capital E	<b>LE01</b> e small e
<b>SM03</b> &ampersand	<b>LF02</b> F capital F	<b>LF01</b> f small f
<b>SP05</b> ’ apostrophe	<b>LG02</b> G capital G	<b>LG01</b> g small g
<b>SP06</b> ( left parenthesis	<b>LH02</b> H capital H	<b>LH01</b> h small h
<b>SP07</b> ) right parenthesis	<b>LI02</b> I capital I	<b>LI01</b> i small i
<b>SM04</b> * asterisk	<b>LJ02</b> J capital J	<b>LJ01</b> j small j
<b>SA01</b> +plus sign	<b>LK02</b> K capital K	<b>LK01</b> k small k
<b>SP08</b> , comma	<b>LL02</b> L capital L	<b>LL01</b> l small l
<b>SP10</b> - hyphen or minus sign	<b>LM02</b> M capital M	<b>LM01</b> m small m
<b>SP11</b> . period or full stop	<b>LN02</b> N capital N	<b>LN01</b> n small n
<b>SP12</b> / solidus	<b>LO02</b> O capital O	<b>LO01</b> o small o
<b>ND100</b> digit 0	<b>LP02</b> P capital P	<b>LP01</b> p small p
<b>ND011</b> digit 1	<b>LQ02</b> Q capital Q	<b>LQ01</b> q small q
<b>ND022</b> digit 2	<b>LR02</b> R capital R	<b>LR01</b> r small r
<b>ND033</b> digit 3	<b>LS02</b> S capital S	<b>LS01</b> s small s
<b>ND044</b> digit 4	<b>LT02</b> T capital T	<b>LT01</b> t small t
<b>ND055</b> digit 5	<b>LU02</b> U capital U	<b>LU01</b> u small u
<b>ND066</b> digit 6	<b>LV02</b> V capital V	<b>LV01</b> v small v
<b>ND077</b> digit 7	<b>LW02</b> W capital W	<b>LW01</b> w small w
<b>ND088</b> digit 8	<b>LX02</b> X capital X	<b>LX01</b> x small x
<b>ND099</b> digit 9	<b>LY02</b> Y capital Y	<b>LY01</b> y small y
<b>SP13</b> : colon	<b>LZ02</b> Z capital Z	<b>LZ01</b> z small z
<b>SP14</b> ; semicolon	<b>SM06</b> [ left square bracket	<b>SM11</b> { left curly bracket
<b>SA03</b> <less-than sign	<b>SM07</b> \ reverse solidus	<b>SM13</b>   vertical bar
<b>SA04</b> =equals sign	<b>SM08</b> ] right square bracket	<b>SM14</b> } right curly bracket
<b>SA05</b> >greater-than sign	<b>SD15</b> ^ circumflex accent	<b>SD19</b> ~ tilde
<b>SP15</b> ? question mark	<b>SP09</b> _ low line	

The characters in this table plus the space and newline characters make up the standard Common Lisp character repertoire (type **standard-char**). The character labels and character descriptions shown here are taken from ISO standard 6937/2 . The first character of the label categorizes the character as Latin, Numeric, or Special.

**char-code** are non-negative and strictly less than the value of **char-code-limit**.

Common Lisp does not at present explicitly guarantee that all integers between zero and the value of **char-code-limit** are valid character codes, and so it is wise in any case for the programmer to assume that the space of assigned character codes may be sparse.

## 13.2 Predicates on Characters

The predicate **characterp** may be used to determine whether any Lisp object is a character object.

*[Function]* **standard-char-p** *char*

The argument *char* must be a character object. **standard-char-p** is true if the argument is a “standard character,” that is, an object of type **standard-char**.

Note that any character with a non-zero bits or font attribute is non-standard.

*[Function]* **graphic-char-p** *char*

The argument *char* must be a character object. **graphic-char-p** is true if the argument is a “graphic” (printing) character, and false if it is a “non-graphic” (formatting or control) character. Graphic characters have a standard textual representation as a single glyph, such as **A** or **\*** or **=**. By convention, the space character is considered to be graphic. Of the standard characters all but **#\Newline** are graphic. The semi-standard characters **#\Backspace**, **#\Tab**, **#\Rubout**, **#\Linefeed**, **#\Return**, and **#\Page** are not graphic.

*[Function]* **alpha-char-p** *char*

The argument *char* must be a character object. **alpha-char-p** is true if the argument is an alphabetic character, and otherwise is false.

If a character is alphabetic, then it is perforce graphic. Therefore any character with a non-zero bits attribute cannot be alphabetic. Whether a character is alphabetic may depend on its font number.

Of the standard characters (as defined by **standard-char-p**), the letters **A** through **Z** and **a** through **z** are alphabetic.

*[Function]* **upper-case-p** *char*

*[Function]* **lower-case-p** *char*

*[Function]* **both-case-p** *char*

The argument *char* must be a character object.

**upper-case-p** is true if the argument is an uppercase character, and otherwise is false.

**lower-case-p** is true if the argument is a lowercase character, and otherwise is false.

**both-case-p** is true if the argument is an uppercase character and there is a corresponding lowercase character (which can be obtained using **char-downcase**), or if the argument is a lowercase character and there is a corresponding uppercase character (which can be obtained using **char-upcase**).

If a character is either uppercase or lowercase, it is necessarily alphabetic (and therefore is graphic, and therefore has a zero bits attribute). However, it is permissible in theory for an alphabetic character to be neither uppercase nor lowercase.

Of the standard characters (as defined by **standard-char-p**), the letters **A** through **Z** are uppercase and **a** through **z** are lowercase.

*[Function]* **digit-char-p** *char* &optional (*radix* 10)

The argument *char* must be a character object, and *radix* must be a non-negative integer. If *char* is not a digit of the radix specified by *radix*, then **digit-char-p** is false; otherwise it returns a non-negative integer that is the “weight” of *char* in that radix.

Digits are necessarily graphic characters.

Of the standard characters (as defined by **standard-char-p**), the characters **0** through **9**, **A** through **Z**, and **a** through **z** are digits. The weights of **0** through **9** are the integers 0 through 9, and of **A** through **Z** (and also **a** through **z**) are 10 through 35. **digit-char-p** returns the weight for one of these digits if and only if its weight is strictly less than *radix*. Thus, for example, the digits for radix 16 are

0 1 2 3 4 5 6 7 8 9 A B C D E F



Here is an example of the use of **digit-char-p**:

```
(defun convert-string-to-integer (str &optional (radix 10))
  "Given a digit string and optional radix, return an integer."
  (do ((j 0 (+ j 1))
      (n 0 (+ (* n radix)
              (or (digit-char-p (char str j) radix)
                  (error "Bad radix-~D digit: ~C"
                        radix
                        (char str j))))))
      ((= j (length str)) n)))
```

*[Function]* **alphanumericp** *char*

The argument *char* must be a character object. **alphanumericp** is true if *char* is either alphabetic or numeric. By definition,

```
(alphanumericp x)
≡ (or (alpha-char-p x) (not (null (digit-char-p x))))
```

Alphanumeric characters are therefore necessarily graphic (as defined by the predicate **graphic-char-p**).

Of the standard characters (as defined by **standard-char-p**), the characters **0** through **9**, **A** through **Z**, and **a** through **z** are alphanumeric.

*[Function]* **char=** *character &rest more-characters*

*[Function]* **char/=** *character &rest more-characters*

*[Function]* **char<** *character &rest more-characters*

*[Function]* **char>** *character &rest more-characters*

*[Function]* **char<=** *character &rest more-characters*

*[Function]* **char>=** *character &rest more-characters*

The arguments must all be character objects. These functions compare the objects using the implementation-dependent total ordering on characters, in a manner analogous to numeric comparisons by `=` and related functions.

The total ordering on characters is guaranteed to have the following properties:

- The standard alphanumeric characters obey the following partial ordering:

$A < B < C < D < E < F < G < H < I < J < K < L < M < N < O < P < Q < R < S < T < U < V < W < X < Y < Z$   
 $a < b < c < d < e < f < g < h < i < j < k < l < m < n < o < p < q < r < s < t < u < v < w < x < y < z$   
 $0 < 1 < 2 < 3 < 4 < 5 < 6 < 7 < 8 < 9$   
*either*  $9 < A$  *or*  $Z < 0$   
*either*  $9 < a$  *or*  $z < 0$

This implies that alphabetic ordering holds within each case (upper and lower), and that the digits as a group are not interleaved with letters. However, the ordering or possible interleaving of uppercase letters and lowercase letters is unspecified. (Note that both the ASCII and the EBCDIC character sets conform to this specification. As it happens, neither ordering interleaves uppercase and lowercase letters: in the ASCII ordering,  $9 < A$  and  $Z < a$ , whereas in the EBCDIC ordering  $z < A$  and  $Z < 0$ .)

The total ordering is not necessarily the same as the total ordering on the integers produced by applying `char-int` to the characters (although it is a reasonable implementation technique to use that ordering).

While alphabetic characters of a given case must be properly ordered, they need not be contiguous; thus `(char <= #\a x #\z)` is *not* a valid way of determining whether or not `x` is a lowercase letter. That is why a separate `lower-case-p` predicate is provided.

`(char = #\d #\d)` is true.  
`(char /= #\d #\d)` is false.  
`(char = #\d #\x)` is false.  
`(char /= #\d #\x)` is true.  
`(char = #\d #\D)` is false.  
`(char /= #\d #\D)` is true.  
`(char = #\d #\d #\d #\d)` is true.  
`(char /= #\d #\d #\d #\d)` is false.  
`(char = #\d #\d #\x #\d)` is false.  
`(char /= #\d #\d #\x #\d)` is false.  
`(char = #\d #\y #\x #\c)` is false.  
`(char /= #\d #\y #\x #\c)` is true.  
`(char = #\d #\c #\d)` is false.  
`(char /= #\d #\c #\d)` is false.  
`(char < #\d #\x)` is true.

(char<= #\d #\x) is true.  
 (char< #\d #\d) is false.  
 (char<= #\d #\d) is true.  
 (char< #\a #\e #\y #\z) is true.  
 (char<= #\a #\e #\y #\z) is true.  
 (char< #\a #\e #\e #\y) is false.  
 (char<= #\a #\e #\e #\y) is true.  
 (char> #\e #\d) is true.  
 (char>= #\e #\d) is true.  
 (char> #\d #\c #\b #\a) is true.  
 (char>= #\d #\c #\b #\a) is true.  
 (char> #\d #\d #\c #\a) is false.  
 (char>= #\d #\d #\c #\a) is true.  
 (char> #\e #\d #\b #\c #\a) is false.  
 (char>= #\e #\d #\b #\c #\a) is false.  
 (char> #\z #\A) may be true or false.  
 (char> #\Z #\a) may be true or false.

There is no requirement that (**eq c1 c2**) be true merely because (**char= c1 c2**) is true. While **eq** may distinguish two character objects that **char=** does not, it is distinguishing them not as *characters*, but in some sense on the basis of a lower-level implementation characteristic. (Of course, if (**eq c1 c2**) is true, then one may expect (**char= c1 c2**) to be true.) However, **eq** and **equal** compare character objects in the same way that **char=** does.

*[Function]* **char-equal** *character &rest more-characters*  
*[Function]* **char-not-equal** *character &rest more-characters*  
*[Function]* **char-lessp** *character &rest more-characters*  
*[Function]* **char-greaterp** *character &rest more-characters*  
*[Function]* **char-not-greaterp** *character &rest more-characters*  
*[Function]* **char-not-lessp** *character &rest more-characters*

For the standard characters, the ordering is such that **A=a**, **B=b**, and so on, up to **Z=z**, and furthermore either **9<A** or **Z<0**. For example:

(char-equal #\A #\a) is true.  
 (char= #\A #\a) is false.  
 (char-equal #\A #\Control-A) is true.

### 13.3 Character Construction and Selection

These functions may be used to extract attributes of a character and to construct new characters.

*[Function]* **char-code** *char*

The argument *char* must be a character object. **char-code** returns the code attribute of the character object; this will be a non-negative integer less than the (normal) value of the variable **char-code-limit**.

This is usually what you need in order to treat a character as an index into a vector. The length of the vector should then be equal to **char-code-limit**. Be careful how you initialize this vector; remember that you cannot necessarily expect all non-negative integers less than **char-code-limit** to be valid character codes.

*[Function]* **code-char** *code*

Returns a character with the code attribute given by *code*. If no such character exists and one cannot be created, *nil* is returned. For example:

```
(char= (code-char (char-code c)) c)
```

### 13.4 Character Conversions

These functions perform various transformations on characters, including case conversions.

*[Function]* **character** *object*

The function **character** coerces its argument to be a character if possible; see **coerce**.

```
(character x) ≡ (coerce x 'character)
```

*[Function]* **char-upcase** *char*

[Function] **char-downcase** *char*

The argument *char* must be a character object. **char-upcase** attempts to convert its argument to an uppercase equivalent; **char-downcase** attempts to convert its argument to a lowercase equivalent.

[Function] **digit-char** *weight* &optional (*radix* 10)

All arguments must be integers. **digit-char** determines whether or not it is possible to construct a character object whose *code* is such that the result character has the weight *weight* when considered as a digit of the radix *radix* (see the predicate **digit-char-p**). It returns such a character if that is possible, and otherwise returns **nil**.

**digit-char** cannot return **nil** if *radix* is between 2 and 36 inclusive, and *weight* is non-negative and less than *radix*.

If more than one character object can encode such a weight in the given radix, one will be chosen consistently by any given implementation; moreover, among the standard characters, uppercase letters are preferred to lowercase letters. For example:

```
(digit-char 7) => #\7
(digit-char 12) => nil
(digit-char 12 16) => #\C ;not #\c
(digit-char 6 2) => nil
(digit-char 1 2) => #\1
```

[Function] **char-int** *char*

The argument *char* must be a character object. **char-int** returns a non-negative integer encoding the character object.

**char-int** returns the same integer **char-code**. Also,

```
(char= c1 c2) ≡ (= (char-int c1) (char-int c2))
```

for characters **c1** and **c2**.

This function is provided primarily for the purpose of hashing characters.

[Function] **char-name** *char*

The argument *char* must be a character object. If the character has a name, then that name (a string) is returned; otherwise **nil** is returned. All

characters that are non-graphic (do not satisfy the predicate **graphic-char-p**) have names. Graphic characters may or may not have names.

The standard newline and space characters have the respective names **Newline** and **Space**. The semi-standard characters have the names **Tab**, **Page**, **Rubout**, **Linefeed**, **Return**, and **Backspace**.

Characters that have names can be notated as `#\` followed by the name. (See section 22.1.4.) Although the name may be written in any case, it is stylish to capitalize it thus: `#\Space`.

*[Function]* **name-char** *name*

The argument *name* must be an object coerceable to a string as if by the function **string**. If the name is the same as the name of a character object (as determined by **string-equal**), that object is returned; otherwise **nil** is returned.

# Chapter 14

## Sequences

The type **sequence** encompasses both lists and vectors (one-dimensional arrays). While these are different data structures with different structural properties leading to different algorithmic uses, they do have a common property: each contains an ordered set of elements. Note that **nil** is considered to be a sequence of length zero.

Some operations are useful on both lists and arrays because they deal with ordered sets of elements. One may ask the number of elements, reverse the ordering, extract a subsequence, and so on. For such purposes Common Lisp provides a set of generic functions on sequences.

Note that this remark, predating the design of the Common Lisp Object System, uses the term “generic” in a generic sense, and not necessarily in the technical sense used by CLOS (see chapter 2).

<b>elt</b>	<b>reverse</b>	<b>map</b>	<b>remove</b>
<b>length</b>	<b>nreverse</b>	<b>some</b>	<b>remove-duplicates</b>
<b>subseq</b>	<b>concatenate</b>	<b>every</b>	<b>delete</b>
<b>copy-seq</b>	<b>position</b>	<b>notany</b>	<b>delete-duplicates</b>
<b>fill</b>	<b>find</b>	<b>notevery</b>	<b>substitute</b>
<b>replace</b>	<b>sort</b>	<b>reduce</b>	<b>nsubstitute</b>
<b>count</b>	<b>merge</b>	<b>search</b>	<b>mismatch</b>

Some of these operations come in more than one version. Such versions are indicated by adding a suffix (or occasionally a prefix) to the basic name of the operation. In addition, many operations accept one or more optional keyword arguments that can modify the operation in various ways.

If the operation requires testing sequence elements according to some criterion, then the criterion may be specified in one of two ways. The basic operation accepts an item, and elements are tested for being **eq** to that item. (A test other than **eq** can be specified by the **:test** or **:test-not** keyword. It is an error to use both of these keywords in the same call.) The variants formed by adding **-if** and **-if-not** to the basic operation name do not take an item, but instead a one-argument predicate, and elements are tested for satisfying or not satisfying the predicate. As an example,

```
(remove item sequence)
```

returns a copy of *sequence* from which all elements **eq** to *item* have been removed;

```
(remove item sequence :test #'equal)
```

returns a copy of *sequence* from which all elements **equal** to *item* have been removed;

```
(remove-if #'numberp sequence)
```

returns a copy of *sequence* from which all numbers have been removed.

If an operation tests elements of a sequence in any manner, the keyword argument **:key**, if not **nil**, should be a function of one argument that will extract from an element the part to be tested in place of the whole element. For example, the effect of the MacLisp expression (**assq** *item* *seq*) could be obtained by

```
(find item sequence :test #'eq :key #'car)
```

This searches for the first element of *sequence* whose *car* is **eq** to *item*. X3J13 voted in June 1988 to allow the **:key** function to be only of type **symbol** or **function**; a lambda-expression is no longer acceptable as a functional argument. One must use the **function** special operator or the abbreviation **#'** before a lambda-expression that appears as an explicit argument form.

For some operations it can be useful to specify the direction in which the sequence is conceptually processed. In this case the basic operation normally processes the sequence in the forward direction, and processing in the reverse direction is indicated by a non-**nil** value for the keyword argument **:from-end**. (The processing order specified by the **:from-end** is purely conceptual. Depending on the object to be processed and on the implementation, the



actual processing order may be different. For this reason a user-supplied *test* function should be free of side effects.)

Many operations allow the specification of a subsequence to be operated upon. Such operations have keyword arguments called **:start** and **:end**. These arguments should be integer indices into the sequence, with  $start \leq end$  (it is an error if  $start > end$ ). They indicate the subsequence starting with and *including* element *start* and up to but *excluding* element *end*. The length of the subsequence is therefore  $end - start$ . If *start* is omitted, it defaults to zero; and if *end* is omitted or **nil**, it defaults to the length of the sequence. Therefore if both *start* and *end* are omitted, the entire sequence is processed by default. For the most part, subsequence specification is permitted purely for the sake of efficiency; one could simply call **subseq** instead to extract the subsequence before operating on it. Note, however, that operations that calculate indices return indices into the original sequence, not into the subsequence:

```
(position #\b "foobar" :start 2 :end 5) ⇒ 3
(position #\b (subseq "foobar" 2 5)) ⇒ 1
```

If two sequences are involved, then the keyword arguments **:start1**, **:end1**, **:start2**, and **:end2** are used to specify separate subsequences for each sequence.

X3J13 voted in June 1988 (and further clarification was voted in January 1989 ) to specify that these rules apply not only to all built-in functions that have keyword parameters named **:start**, **:start1**, **:start2**, **:end**, **:end1**, or **:end2** but also to functions such as **subseq** that take required or optional parameters that are documented as being named *start* or *end*.

- A “start” argument must always be a non-negative integer and defaults to zero if not supplied; it is not permissible to pass **nil** as a “start” argument.
- An “end” argument must be either a non-negative integer or **nil** (which indicates the end of the sequence) and defaults to **nil** if not supplied; therefore supplying **nil** is equivalent to not supplying such an argument.
- If the “end” argument is an integer, it must be no greater than the active length of the corresponding sequence (as returned by the function **length**).

- The default value for the “end” argument is the active length of the corresponding sequence.
- The “start” value (after defaulting, if necessary) must not be greater than the corresponding “end” value (after defaulting, if necessary).

This may be summarized as follows. Let  $x$  be the sequence within which indices are to be considered. Let  $s$  be the “start” argument for that sequence of any standard function, whether explicitly specified or defaulted, through omission, to zero. Let  $e$  be the “end” argument for that sequence of any standard function, whether explicitly specified or defaulted, through omission or an explicitly passed **nil** value, to the active length of  $x$ , as returned by **length**. Then it is an error if the test  $(\leq \mathbf{0} \ s \ e \ (\mathbf{length} \ x))$  is not true.

For some functions, notably **remove** and **delete**, the keyword argument **:count** is used to specify how many occurrences of the item should be affected. If this is **nil** or is not supplied, all matching items are affected.

In the following function descriptions, an element  $x$  of a sequence “satisfies the test” if any of the following holds:

- A basic function was called,  $testfn$  was specified by the keyword **:test**, and  $(\mathbf{funcall} \ testfn \ item \ (keyfn \ x))$  is true.
- A basic function was called,  $testfn$  was specified by the keyword **:test-not**, and  $(\mathbf{funcall} \ testfn \ item \ (keyfn \ x))$  is false.
- An **-if** function was called, and  $(\mathbf{funcall} \ predicate \ (keyfn \ x))$  is true.
- An **-if-not** function was called, and  $(\mathbf{funcall} \ predicate \ (keyfn \ x))$  is false.

In each case  $keyfn$  is the value of the **:key** keyword argument (the default being the identity function). See, for example, **remove**.

In the following function descriptions, two elements  $x$  and  $y$  taken from sequences “match” if either of the following holds:

- $testfn$  was specified by the keyword **:test**, and  $(\mathbf{funcall} \ testfn \ (keyfn \ x) \ (keyfn \ y))$  is true.
- $testfn$  was specified by the keyword **:test-not**, and  $(\mathbf{funcall} \ testfn \ (keyfn \ x) \ (keyfn \ y))$  is false.

See, for example, **search**.

X3J13 voted in June 1988 to allow the *testfn* or **predicate** to be only of type **symbol** or **function**; a lambda-expression is no longer acceptable as a functional argument. One must use the **function** special operator or the abbreviation *#'* before a lambda-expression that appears as an explicit argument form.

You may depend on the order in which arguments are given to *testfn*; this permits the use of non-commutative test functions in a predictable manner. The order of the arguments to *testfn* corresponds to the order in which those arguments (or the sequences containing those arguments) were given to the sequence function in question. If a sequence function gives two elements from the same sequence argument to *testfn*, they are given in the same order in which they appear in the sequence.

Whenever a sequence function must construct and return a new vector, it always returns a *simple* vector (see section 2.5). Similarly, any strings constructed will be simple strings.

[*Function*] **complement** *fn*

Returns a function whose value is the same as that of **not** applied to the result of applying the function *fn* to the same arguments. One could define **complement** as follows:

```
(defun complement (fn)
  #'(lambda (&rest arguments)
      (not (apply fn arguments))))
```

One intended use of **complement** is to supplant the use of **:test-not** arguments and **-if-not** functions.

```
(remove-if-not #'virtuous senators) ≡
(remove-if (complement #'virtuous) senators)
```

```
(remove-duplicates telephone-book
  :test-not #'mismatch) ≡
(remove-duplicates telephone-book
  :test (complement #'mismatch))
```

## 14.1 Simple Sequence Functions

Most of the following functions perform simple operations on a single sequence; **make-sequence** constructs a new sequence.

*[Function]* **elt** *sequence index*

This returns the element of *sequence* specified by *index*, which must be a non-negative integer less than the length of the *sequence* as returned by **length**. The first element of a sequence has index **0**.

(Note that **elt** observes the fill pointer in those vectors that have fill pointers. The array-specific function **aref** may be used to access vector elements that are beyond the vector’s fill pointer.)

**setf** may be used with **elt** to destructively replace a sequence element with a new value.

*[Function]* **subseq** *sequence start &optional end*

This returns the subsequence of *sequence* specified by *start* and *end*. **subseq** *always* allocates a new sequence for a result; it never shares storage with an old sequence. The result subsequence is always of the same type as the argument *sequence*.

**setf** may be used with **subseq** to destructively replace a subsequence with a sequence of new values; see also **replace**.

*[Function]* **copy-seq** *sequence*

A copy is made of the argument *sequence*; the result is **equalp** to the argument but not **eq** to it.

$(\text{copy-seq } x) \equiv (\text{subseq } x \ 0)$

but the name **copy-seq** is more perspicuous when applicable.

*[Function]* **length** *sequence*

The number of elements in *sequence* is returned as a non-negative integer. If the sequence is a vector with a fill pointer, the “active length” as specified by the fill pointer is returned (see section 17.5).

[Function] **reverse** *sequence*

The result is a new sequence of the same kind as *sequence*, containing the same elements but in reverse order. The argument is not modified.

[Function] **nreverse** *sequence*

The result is a sequence containing the same elements as *sequence* but in reverse order. The argument may be destroyed and re-used to produce the result. The result may or may not be **eq** to the argument, so it is usually wise to say something like (**setq** **x** (**nreverse** **x**)), because simply (**nreverse** **x**) is not guaranteed to leave a reversed value in **x**. X3J13 voted in March 1989 to clarify the permissible side effects of certain operations. When the *sequence* is a list, **nreverse** is permitted to perform a **setf** on any part, *car* or *cdr*, of the top-level list structure of that list. When the *sequence* is an array, **nreverse** is permitted to re-order the elements of the given array in order to produce the resulting array.

[Function] **make-sequence** *type size &key :initial-element*

This returns a sequence of type *type* and of length *size*, each of whose elements has been initialized to the **:initial-element** argument. If specified, the **:initial-element** argument must be an object that can be an element of a sequence of type *type*. For example:

```
(make-sequence '(vector double-float)
  100
  :initial-element 1d0)
```

If an **:initial-element** argument is not specified, then the sequence will be initialized in an implementation-dependent way.

X3J13 voted in January 1989 to clarify that the *type* argument must be a type specifier, and the *size* argument must be a non-negative integer less than the value of **array-dimension-limit**.

X3J13 voted in June 1989 to specify that **make-sequence** should signal an error if the sequence *type* specifies the number of elements and the *size* argument is different.

X3J13 voted in March 1989 to specify that if *type* is **string**, the result is the same as if **make-string** had been called with the same *size* and **:initial-element** arguments.

## 14.2 Concatenating, Mapping, and Reducing Sequences

The functions in this section each operate on an arbitrary number of sequences except for **reduce**, which is included here because of its conceptual relationship to the mapping functions.

[Function] **concatenate** *result-type* &rest *sequences*

The result is a new sequence that contains all the elements of all the sequences in order. All of the sequences are copied from; the result does not share any structure with any of the argument sequences (in this **concatenate** differs from **append**). The type of the result is specified by *result-type*, which must be a subtype of **sequence**, as for the function **coerce**. It must be possible for every element of the argument sequences to be an element of a sequence of type *result-type*.

If only one *sequence* argument is provided and it has the type specified by *result-type*, **concatenate** is required to copy the argument rather than simply returning it. If a copy is not required, but only possibly type conversion, then the **coerce** function may be appropriate.

X3J13 voted in June 1989 to specify that **concatenate** should signal an error if the sequence type specifies the number of elements and the sum of the argument lengths is different.

[Function] **map** *result-type function sequence* &rest *more-sequences*

The *function* must take as many arguments as there are sequences provided; at least one sequence must be provided. The result of **map** is a sequence such that element *j* is the result of applying *function* to element *j* of each of the argument sequences. The result sequence is as long as the shortest of the input sequences.

If the *function* has side effects, it can count on being called first on all the elements numbered **0**, then on all those numbered **1**, and so on.

The type of the result sequence is specified by the argument *result-type* (which must be a subtype of the type **sequence**), as for the function **coerce**. In addition, one may specify **nil** for the result type, meaning that no result sequence is to be produced; in this case the *function* is invoked only for effect, and **map** returns **nil**. This gives an effect similar to that of **mapc**.

X3J13 voted in June 1989 to specify that **map** should signal an error if the sequence type specifies the number of elements and the minimum of the argument lengths is different.

X3J13 voted in January 1989 to restrict user side effects; see section 7.9. For example:

```
(map 'list #' '(1 2 3 4)) ⇒ (-1 -2 -3 -4)
(map 'string
     #'(lambda (x) (if (oddp x) #\1 #\0))
     '(1 2 3 4))
⇒ "1010"
```

[Function] **map-into** *result-sequence* *function* &rest *sequences*

Function **map-into** destructively modifies the *result-sequence* to contain the results of applying *function* to corresponding elements of the argument *sequences* in turn; it then returns *result-sequence*.

The arguments *result-sequence* and each element of *sequences* can each be either a list or a vector (one-dimensional array). The *function* must accept at least as many arguments as the number of argument *sequences* supplied to **map-into**. If *result-sequence* and the other argument *sequences* are not all the same length, the iteration terminates when the shortest sequence is exhausted. If *result-sequence* is a vector with a fill pointer, the fill pointer is ignored when deciding how many iterations to perform, and afterwards the fill pointer is set to the number of times the *function* was applied.

If the *function* has side effects, it can count on being called first on all the elements numbered **0**, then on all those numbered **1**, and so on.

If *result-sequence* is longer than the shortest element of *sequences*, extra elements at the end of *result-sequence* are unchanged.

The function **map-into** differs from **map** in that it modifies an existing sequence rather than creating a new one. In addition, **map-into** can be called with only two arguments (*result-sequence* and *function*), while **map** requires at least three arguments.

If *result-sequence* is **nil**, **map-into** immediately returns **nil**, because **nil** is a sequence of length zero.

[Function] **some** *predicate* *sequence* &rest *more-sequences*

[Function] **every** *predicate* *sequence* &rest *more-sequences*

[Function] **notany** *predicate sequence &rest more-sequences*  
 [Function] **notevery** *predicate sequence &rest more-sequences*

These are all predicates. The *predicate* must take as many arguments as there are sequences provided. The *predicate* is first applied to the elements with index **0** in each of the sequences, and possibly then to the elements with index **1**, and so on, until a termination criterion is met or the end of the shortest of the *sequences* is reached.

If the *predicate* has side effects, it can count on being called first on all the elements numbered **0**, then on all those numbered **1**, and so on.

**some** returns as soon as any invocation of *predicate* returns a non-**nil** value; **some** returns that value. If the end of a sequence is reached, **some** returns **nil**. Thus, considered as a predicate, it is true if *some* invocation of *predicate* is true.

**every** returns **nil** as soon as any invocation of *predicate* returns **nil**. If the end of a sequence is reached, **every** returns a non-**nil** value. Thus, considered as a predicate, it is true if *every* invocation of *predicate* is true.

**notany** returns **nil** as soon as any invocation of *predicate* returns a non-**nil** value. If the end of a sequence is reached, **notany** returns a non-**nil** value. Thus, considered as a predicate, it is true if *no* invocation of *predicate* is true.

**notevery** returns a non-**nil** value as soon as any invocation of *predicate* returns **nil**. If the end of a sequence is reached, **notevery** returns **nil**. Thus, considered as a predicate, it is true if *not every* invocation of *predicate* is true.

X3J13 voted in January 1989 to restrict user side effects; see section 7.9.

[Function] **reduce** *function sequence &key :from-end :start :end*  
*:initial-value*

The **reduce** function combines all the elements of a sequence using a binary operation; for example, using  $+$  one can add up all the elements.

The specified subsequence of the *sequence* is combined or “reduced” using the *function*, which must accept two arguments. The reduction is left-associative, unless the **:from-end** argument is true (it defaults to **nil**), in which case it is right-associative. If an **:initial-value** argument is given, it is logically placed before the subsequence (after it if **:from-end** is true) and included in the reduction operation.



If the specified subsequence contains exactly one element and the keyword argument **:initial-value** is not given, then that element is returned and the *function* is not called. If the specified subsequence is empty and an **:initial-value** is given, then the **:initial-value** is returned and the *function* is not called.

If the specified subsequence is empty and no **:initial-value** is given, then the *function* is called with zero arguments, and **reduce** returns whatever the function does. (This is the only case where the *function* is called with other than two arguments.)

```
(reduce #'+' (1 2 3 4)) ⇒ 10
(reduce #'- '(1 2 3 4)) ≡ (- (- (- 1 2) 3) 4) ⇒ -8
(reduce #'- '(1 2 3 4) :from-end t) ;Alternating sum
  ≡ (- 1 (- 2 (- 3 4))) ⇒ -2
(reduce #'+' ()) ⇒ 0
(reduce #'+' (3)) ⇒ 3
(reduce #'+' (foo)) ⇒ foo
(reduce #'list '(1 2 3 4)) ⇒ (((1 2) 3) 4)
(reduce #'list '(1 2 3 4) :from-end t) ⇒ (1 (2 (3 4)))
(reduce #'list '(1 2 3 4) :initial-value 'foo)
  ⇒ (((foo 1) 2) 3) 4)
(reduce #'list '(1 2 3 4)
  :from-end t :initial-value 'foo)
  ⇒ (1 (2 (3 (4 foo))))
```

If the *function* produces side effects, the order of the calls to the *function* can be correctly predicted from the reduction ordering demonstrated above.

The name “reduce” for this function is borrowed from APL.

X3J13 voted in March 1988 to extend the **reduce** function to take an additional keyword argument named **:key**. As usual, this argument defaults to the identity function. The value of this argument must be a function that accepts at least one argument. This function is applied once to each element of the sequence that is to participate in the reduction operation, in the order implied by the **:from-end** argument; the values returned by this function are combined by the reduction *function*. However, the **:key** function is *not* applied to the **:initial-value** argument (if any).

X3J13 voted in January 1989 to restrict user side effects; see section 7.9.

### 14.3 Modifying Sequences

Each of these functions alters the contents of a sequence or produces an altered copy of a given sequence.

[Function] **fill** *sequence item &key* :start :end

The *sequence* is destructively modified by replacing each element of the subsequence specified by the **:start** and **:end** parameters with the *item*. The *item* may be any Lisp object but must be a suitable element for the *sequence*. The *item* is stored into all specified components of the *sequence*, beginning at the one specified by the **:start** index (which defaults to zero), up to but not including the one specified by the **:end** index (which defaults to the length of the sequence). **fill** returns the modified *sequence*. For example:

```
(setq x (vector 'a 'b 'c 'd 'e)) ⇒ #(a b c d e)
(fill x 'z :start 1 :end 3) ⇒ #(a z z d e)
  and now x ⇒ #(a z z d e)
(fill x 'p) ⇒ #(p p p p p)
  and now x ⇒ #(p p p p p)
```

[Function] **replace** *sequence1 sequence2 &key* :start1 :end1 :start2 :end2

The sequence *sequence1* is destructively modified by copying successive elements into it from *sequence2*. The elements of *sequence2* must be of a type that may be stored into *sequence1*. The subsequence of *sequence2* specified by **:start2** and **:end2** is copied into the subsequence of *sequence1* specified by **:start1** and **:end1**. (The arguments **:start1** and **:start2** default to zero. The arguments **:end1** and **:end2** default to **nil**, meaning the end of the appropriate sequence.) If these subsequences are not of the same length, then the shorter length determines how many elements are copied; the extra elements near the end of the longer subsequence are not involved in the operation. The number of elements copied may be expressed as:

```
(min (- end1 start1) (- end2 start2))
```

The value returned by **replace** is the modified *sequence1*.

If *sequence1* and *sequence2* are the same (**eq**) object and the region being modified overlaps the region being copied from, then it is as if the entire source region were copied to another place and only then copied back into

the target region. However, if *sequence1* and *sequence2* are *not* the same, but the region being modified overlaps the region being copied from (perhaps because of shared list structure or displaced arrays), then after the **replace** operation the subsequence of *sequence1* being modified will have unpredictable contents.

[Function] **remove** *item sequence &key* *:from-end* *:test* *:test-not* *:start*  
*:end* *:count* *:key*

[Function] **remove-if** *predicate sequence &key* *:from-end* *:start* *:end*  
*:count* *:key*

[Function] **remove-if-not** *predicate sequence &key* *:from-end* *:start* *:end*  
*:count* *:key*

The result is a sequence of the same kind as the argument *sequence* that has the same elements except that those in the subsequence delimited by **:start** and **:end** and satisfying the test (see above) have been removed. This is a non-destructive operation; the result is a copy of the input *sequence*, save that some elements are not copied. Elements not removed occur in the same order in the result as they did in the argument.

The **:count** argument, if supplied, limits the number of elements removed; if more than **:count** elements satisfy the test, then of these elements only the leftmost are removed, as many as specified by **:count**.

X3J13 voted in January 1989 to clarify that the **:count** argument must be either **nil** or an integer, and that supplying a negative integer produces the same behavior as supplying zero.

A non-**nil** **:from-end** specification matters only when the **:count** argument is provided; in that case only the rightmost **:count** elements satisfying the test are removed. For example:

```
(remove 4 '(1 2 4 1 3 4 5)) ⇒ (1 2 1 3 5)
(remove 4 '(1 2 4 1 3 4 5) :count 1) ⇒ (1 2 1 3 4 5)
(remove 4 '(1 2 4 1 3 4 5) :count 1 :from-end t)
  ⇒ (1 2 4 1 3 5)
(remove 3 '(1 2 4 1 3 4 5) :test #'>) ⇒ (4 3 4 5)
(remove-if #'oddp '(1 2 4 1 3 4 5)) ⇒ (2 4 4)
(remove-if #'evenp '(1 2 4 1 3 4 5) :count 1 :from-end t)
  ⇒ (1 2 4 1 3 5)
```

The result of **remove** may share with the argument *sequence*; a list result may share a tail with an input list, and the result may be **eq** to the input *sequence* if no elements need to be removed.

X3J13 voted in January 1989 to restrict user side effects; see section 7.9.

```
[Function] delete item sequence &key :from-end :test :test-not
:start :end :count :key
[Function] delete-if predicate sequence &key :from-end
:start :end :count :key
[Function] delete-if-not predicate sequence &key :from-end
:start :end :count :key
```

This is the destructive counterpart to **remove**. The result is a sequence of the same kind as the argument *sequence* that has the same elements except that those in the subsequence delimited by **:start** and **:end** and satisfying the test (see above) have been deleted. This is a destructive operation. The argument *sequence* may be destroyed and used to construct the result; however, the result may or may not be **eq** to *sequence*. Elements not deleted occur in the same order in the result as they did in the argument.

The **:count** argument, if supplied, limits the number of elements deleted; if more than **:count** elements satisfy the test, then of these elements only the leftmost are deleted, as many as specified by **:count**.

X3J13 voted in January 1989 to clarify that the **:count** argument must be either **nil** or an integer, and that supplying a negative integer produces the same behavior as supplying zero.

A non-**nil** **:from-end** specification matters only when the **:count** argument is provided; in that case only the rightmost **:count** elements satisfying the test are deleted. For example:

```
(delete 4 '(1 2 4 1 3 4 5)) ⇒ (1 2 1 3 5)
(delete 4 '(1 2 4 1 3 4 5) :count 1) ⇒ (1 2 1 3 4 5)
(delete 4 '(1 2 4 1 3 4 5) :count 1 :from-end t)
  ⇒ (1 2 4 1 3 5)
(delete 3 '(1 2 4 1 3 4 5) :test #'>) ⇒ (4 3 4 5)
(delete-if #'oddp '(1 2 4 1 3 4 5)) ⇒ (2 4 4)
(delete-if #'evenp '(1 2 4 1 3 4 5) :count 1 :from-end t)
  ⇒ (1 2 4 1 3 5)
```

X3J13 voted in January 1989 to restrict user side effects; see section 7.9.

X3J13 voted in March 1989 to clarify the permissible side effects of certain operations. When the *sequence* is a list, **delete** is permitted to perform a **setf** on any part, *car* or *cdr*, of the top-level list structure of that list. When the *sequence* is an array, **delete** is permitted to alter the dimensions of the given array and to slide some of its elements into new positions without permuting them in order to produce the resulting array.

Furthermore, (**delete-if** *predicate sequence ...*) is required to behave exactly like

```
(delete nil sequence
  :test #'(lambda (unused item)
            (declare (ignore unused))
            (funcall predicate item))
  ...)
```

```
[Function] remove-duplicates sequence &key :from-end :test :test-not
:start :end :key
```

```
[Function] delete-duplicates sequence &key :from-end :test :test-not
:start :end :key
```

The elements of *sequence* are compared pairwise, and if any two match, then the one occurring earlier in the sequence is discarded (but if the **:from-end** argument is true, then the one later in the sequence is discarded). The result is a sequence of the same kind as the argument sequence with enough elements removed so that no two of the remaining elements match. The order of the elements remaining in the result is the same as the order in which they appear in *sequence*.

**remove-duplicates** is the non-destructive version of this operation. The result of **remove-duplicates** may share with the argument *sequence*; a list result may share a tail with an input list, and the result may be **eq** to the input *sequence* if no elements need to be removed.

**delete-duplicates** may destroy the argument *sequence*.

Some examples:

```
(remove-duplicates '(a b c b d d e)) ⇒ (a c b d e)
(remove-duplicates '(a b c b d d e) :from-end t) ⇒ (a b c d e)
(remove-duplicates '((foo #\a) (bar #\%) (baz #\A))
  :test #'char-equal :key #'cadr)
⇒ ((bar #\%) (baz #\A))
```

```
(remove-duplicates '((foo #\a) (bar #\%) (baz #\A))
                   :test #'char-equal :key #'cadr :from-end t)
⇒ ((foo #\a) (bar #\%))
```

These functions are useful for converting a sequence into a canonical form suitable for representing a set.

X3J13 voted in January 1989 to restrict user side effects; see section 7.9.

X3J13 voted in March 1989 to clarify the permissible side effects of certain operations. When the *sequence* is a list, **delete-duplicates** is permitted to perform a **setf** on any part, *car* or *cdr*, of the top-level list structure of that list. When the *sequence* is an array, **delete-duplicates** is permitted to alter the dimensions of the given array and to slide some of its elements into new positions without permuting them in order to produce the resulting array.

[Function] **substitute** *newitem olditem sequence &key :from-end :test :test-not :start :end :count :key*

[Function] **substitute-if** *newitem test sequence &key :from-end :start :end :count :key*

[Function] **substitute-if-not** *newitem test sequence &key :from-end :start :end :count :key*

The result is a sequence of the same kind as the argument *sequence* that has the same elements except that those in the subsequence delimited by **:start** and **:end** and satisfying the test (see above) have been replaced by *newitem*. This is a non-destructive operation; the result is a copy of the input *sequence*, save that some elements are changed.

The **:count** argument, if supplied, limits the number of elements altered; if more than **:count** elements satisfy the test, then of these elements only the leftmost are replaced, as many as specified by **:count**.

X3J13 voted in January 1989 to clarify that the **:count** argument must be either **nil** or an integer, and that supplying a negative integer produces the same behavior as supplying zero.

A non-**nil** **:from-end** specification matters only when the **:count** argument is provided; in that case only the rightmost **:count** elements satisfying the test are replaced. For example:

```
(substitute 9 4 '(1 2 4 1 3 4 5)) ⇒ (1 2 9 1 3 9 5)
(substitute 9 4 '(1 2 4 1 3 4 5) :count 1) ⇒ (1 2 9 1 3 4 5)
(substitute 9 4 '(1 2 4 1 3 4 5) :count 1 :from-end t)
```

```

⇒ (1 2 4 1 3 9 5)
(substitute 9 3 '(1 2 4 1 3 4 5) :test #'>) ⇒ (9 9 4 9 3 4 5)
(substitute-if 9 #'oddp '(1 2 4 1 3 4 5)) ⇒ (9 2 4 9 9 4 9)
(substitute-if 9 #'evenp '(1 2 4 1 3 4 5) :count 1 :from-end t)
⇒ (1 2 4 1 3 9 5)

```

The result of **substitute** may share with the argument *sequence*; a list result may share a tail with an input list, and the result may be **eq** to the input *sequence* if no elements need to be changed.

See also **subst**, which performs substitutions throughout a tree.

X3J13 voted in January 1989 to restrict user side effects; see section 7.9.

```

[Function] nsubstitute newitem olditem sequence &key :from-end :test
:test-not :start :end :count :key
[Function] nsubstitute-if newitem test sequence &key :from-end
:start :end :count :key
[Function] nsubstitute-if-not newitem test sequence &key :from-end
:start :end :count :key

```

This is the destructive counterpart to **substitute**. The result is a sequence of the same kind as the argument *sequence* that has the same elements except that those in the subsequence delimited by **:start** and **:end** and satisfying the test (see above) have been replaced by *newitem*. This is a destructive operation. The argument *sequence* may be destroyed and used to construct the result; however, the result may or may not be **eq** to *sequence*.

See also **nsubst**, which performs destructive substitutions throughout a tree. X3J13 voted in January 1989 to restrict user side effects; see section 7.9.

X3J13 voted in March 1989 to clarify the permissible side effects of certain operations. When the *sequence* is a list, **nsubstitute** or **nsubstitute-if** is required to perform a **setf** on any *car* of the top-level list structure of that list whose old contents must be replaced with *newitem* but is forbidden to perform a **setf** on any **cdr** of the list. When the *sequence* is an array, **nsubstitute** or **nsubstitute-if** is required to perform a **setf** on any element of the array whose old contents must be replaced with *newitem*. These functions, therefore, may successfully be used solely for effect, the caller discarding the returned value (though some programmers find this stylistically distasteful).

## 14.4 Searching Sequences for Items

Each of these functions searches a sequence to locate one or more elements satisfying some test.

[Function] **find** *item sequence &key :from-end :test :test-not :start :end :key*

[Function] **find-if** *predicate sequence &key :from-end :start :end :key*

[Function] **find-if-not** *predicate sequence &key :from-end :start :end :key*

If the *sequence* contains an element satisfying the test, then the leftmost such element is returned; otherwise **nil** is returned.

If **:start** and **:end** keyword arguments are given, only the specified subsequence of *sequence* is searched.

If a non-**nil** **:from-end** keyword argument is specified, then the result is the *rightmost* element satisfying the test.

X3J13 voted in January 1989 to restrict user side effects; see section 7.9.

[Function] **position** *item sequence &key :from-end :test :test-not :start :end :key*

[Function] **position-if** *predicate sequence &key :from-end :start :end :key*

[Function] **position-if-not** *predicate sequence &key :from-end :start :end :key*

If the *sequence* contains an element satisfying the test, then the index within the sequence of the leftmost such element is returned as a non-negative integer; otherwise **nil** is returned.

If **:start** and **:end** keyword arguments are given, only the specified subsequence of *sequence* is searched. However, the index returned is relative to the entire sequence, not to the subsequence.

If a non-**nil** **:from-end** keyword argument is specified, then the result is the index of the *rightmost* element satisfying the test. (The index returned, however, is an index from the left-hand end, as usual.)

X3J13 voted in January 1989 to restrict user side effects; see section 7.9.

Here is a simple piece of code that uses several of the sequence functions, notably **position-if** and **find-if**, to process strings. Note one use of **loop** as well.



```
(defun debug-palindrome (s)
  (flet ((match (x) (char-equal (first x) (third x))))
    (let* ((pairs (loop for c across s
                       for j from 0
                       when (alpha-char-p c)
                       collect (list c j)))
          (quads (mapcar #'append pairs (reverse pairs)))
          (diffpos (position-if (complement #'match) quads)))
      (when diffpos
        (let* ((diff (elt quads diffpos))
              (same (find-if #'match quads
                             :start (+ diffpos 1))))
          (if same
              (format nil
                      "~/~A/ (at ~D) is not the reverse of ~/~A/"
                      (subseq s (second diff) (second same))
                      (second diff)
                      (subseq s (+ (fourth same) 1)
                               (+ (fourth diff) 1)))
              "This palindrome is completely messed up!"))))))))
```

Here is an example of its behavior.

```
(setq panama ;A putative palindrome?
      "A man, a plan, a canoe, pasta, heros, rajahs,
      a coloratura, maps, waste, percale, macaroni, a gag,
      a banana bag, a tan, a tag, a banana bag again
      (or a camel), a crepe, pins, Spam, a rut, a Rolo,
      cash, a jar, sore hats, a peon, a canal–Panama!")
```

```
(debug-palindrome panama)
⇒ "/wast/ (at 73) is not the reverse of /, pins/"
```

```
(replace panama "snipe" :start1 73) ;Repair it
⇒ "A man, a plan, a canoe, pasta, heros, rajahs,
   a coloratura, maps, snipe, percale, macaroni, a gag,
   a banana bag, a tan, a tag, a banana bag again
   (or a camel), a crepe, pins, Spam, a rut, a Rolo,
   cash, a jar, sore hats, a peon, a canal–Panama!"
```

(debug-palindrome panama) ⇒ nil ;Copacetic—a true palindrome

(debug-palindrome "Rubber baby buggy bumpers")  
⇒ "/Rubber / (at 0) is not the reverse of /umpers/"

(debug-palindrome "Common Lisp: The Language")  
⇒ "/Commo/ (at 0) is not the reverse of /guage/"

(debug-palindrome "Complete mismatches are hard to find")  
⇒  
"/Complete mism/ (at 0) is not the reverse of /re hard to find/"

(debug-palindrome "Waltz, nymph, for quick jigs vex Bud")  
⇒ "This palindrome is completely messed up!"

(debug-palindrome "Doc, note: I dissent. A fast never  
prevents a fatness. I diet on cod.")  
⇒ **nil** ;Another winner

(debug-palindrome "Top step's pup's pet spot") ⇒ nil

*[Function]* **count** *item sequence &key :from-end :test :test-not*  
*:start :end :key*

*[Function]* **count-if** *predicate sequence &key :from-end :start :end :key*

*[Function]* **count-if-not** *predicate sequence &key :from-end :start :end :key*

The result is always a non-negative integer, the number of elements in the specified subsequence of *sequence* satisfying the test.

The **:from-end** argument does not affect the result returned; it is accepted purely for compatibility with other sequence functions.

X3J13 voted in January 1989 to restrict user side effects; see section 7.9.

*[Function]* **mismatch** *sequence1 sequence2 &key :from-end :test :test-not*  
*:key :start1 :start2 :end1 :end2*

The specified subsequences of *sequence1* and *sequence2* are compared element-wise. If they are of equal length and match in every element, the

result is **nil**. Otherwise, the result is a non-negative integer. This result is the index within *sequence1* of the leftmost position at which the two subsequences fail to match; or, if one subsequence is shorter than and a matching prefix of the other, the result is the index relative to *sequence1* beyond the last position tested.

If a non-**nil** **:from-end** keyword argument is given, then *one plus* the index of the *rightmost* position in which the sequences differ is returned. In effect, the (sub)sequences are aligned at their right-hand ends; then, the last elements are compared, the penultimate elements, and so on. The index returned is again an index relative to *sequence1*.

X3J13 voted in January 1989 to restrict user side effects; see section 7.9.

*[Function]* **search** *sequence1 sequence2 &key :from-end :test :test-not :key :start1 :start2 :end1 :end2*

A search is conducted for a subsequence of *sequence2* that element-wise matches *sequence1*. If there is no such subsequence, the result is **nil**; if there is, the result is the index into *sequence2* of the leftmost element of the leftmost such matching subsequence.

If a non-**nil** **:from-end** keyword argument is given, the index of the leftmost element of the *rightmost* matching subsequence is returned.

The implementation may choose to search the sequence in any order; there is no guarantee on the number of times the test is made. For example, **search** with a non-**nil** **:from-end** argument might actually search a list from left to right instead of from right to left (but in either case would return the rightmost matching subsequence, of course). Therefore it is a good idea for a user-supplied predicate to be free of side effects.

X3J13 voted in January 1989 to restrict user side effects; see section 7.9.

## 14.5 Sorting and Merging

These functions may destructively modify argument sequences in order to put a sequence into sorted order or to merge two already sorted sequences.

*[Function]* **sort** *sequence predicate &key :key*  
*[Function]* **stable-sort** *sequence predicate &key :key*

The *sequence* is destructively sorted according to an order determined by the *predicate*. The *predicate* should take two arguments, and return non-**nil** if and only if the first argument is strictly less than the second (in some appropriate sense). If the first argument is greater than or equal to the second (in the appropriate sense), then the *predicate* should return **nil**.

The **sort** function determines the relationship between two elements by giving keys extracted from the elements to the *predicate*. The **:key** argument, when applied to an element, should return the key for that element. The **:key** argument defaults to the identity function, thereby making the element itself be the key.

The **:key** function should not have any side effects. A useful example of a **:key** function would be a component selector function for a **defstruct** structure, used in sorting a sequence of structures.

$$(\text{sort } a \text{ } p \text{ } \text{:key } s) \equiv (\text{sort } a \text{ } \#'(lambda (x y) (p (s x) (s y))))$$

While the above two expressions are equivalent, the first may be more efficient in some implementations for certain types of arguments. For example, an implementation may choose to apply *s* to each item just once, putting the resulting keys into a separate table, and then sort the parallel tables, as opposed to applying *s* to an item every time just before applying the *predicate*.

If the **:key** and *predicate* functions always return, then the sorting operation will always terminate, producing a sequence containing the same elements as the original sequence (that is, the result is a permutation of *sequence*). This is guaranteed even if the *predicate* does not really consistently represent a total order (in which case the elements will be scrambled in some unpredictable way, but no element will be lost). If the **:key** function consistently returns meaningful keys, and the *predicate* does reflect some total ordering criterion on those keys, then the elements of the result sequence will be properly sorted according to that ordering.

The sorting operation performed by **sort** is not guaranteed *stable*. Elements considered equal by the *predicate* may or may not stay in their original order. (The *predicate* is assumed to consider two elements *x* and *y* to be equal if (**funcall predicate x y**) and (**funcall predicate y x**) are both false.) The function **stable-sort** guarantees stability but may be slower than **sort** in some situations.

The sorting operation may be destructive in all cases. In the case of an array argument, this is accomplished by permuting the elements in place. In

the case of a list, the list is destructively reordered in the same manner as for **nreverse**. Thus if the argument should not be destroyed, the user must sort a copy of the argument.

Should execution of the **:key** function or the *predicate* cause an error, the state of the list or array being sorted is undefined. However, if the error is corrected, the sort will, of course, proceed correctly.

Note that since sorting requires many comparisons, and thus many calls to the *predicate*, sorting will be much faster if the *predicate* is a compiled function rather than interpreted.

An example:

```
(setq foovector (sort foovector #'string-lessp :key #'car))
```

If **foovector** contained these items before the sort

```
("Tokens" "The Lion Sleeps Tonight")
("Carpenters" "Close to You")
("Rolling Stones" "Brown Sugar")
("Beach Boys" "I Get Around")
("Mozart" "Eine Kleine Nachtmusik" (K 525))
("Beatles" "I Want to Hold Your Hand")
```

then after the sort **foovector** would contain

```
("Beach Boys" "I Get Around")
("Beatles" "I Want to Hold Your Hand")
("Carpenters" "Close to You")
("Mozart" "Eine Kleine Nachtmusik" (K 525))
("Rolling Stones" "Brown Sugar")
("Tokens" "The Lion Sleeps Tonight")
```

X3J13 voted in January 1989 to restrict user side effects; see section 7.9.

[Function] **merge** *result-type sequence1 sequence2 predicate &key :key*

The sequences *sequence1* and *sequence2* are destructively merged according to an order determined by the *predicate*. The result is a sequence of type *result-type*, which must be a subtype of **sequence**, as for the function **coerce**. The *predicate* should take two arguments and return non-**nil** if and only if the first argument is strictly less than the second (in some appropriate

sense). If the first argument is greater than or equal to the second (in the appropriate sense), then the *predicate* should return **nil**.

The **merge** function determines the relationship between two elements by giving keys extracted from the elements to the *predicate*. The **:key** function, when applied to an element, should return the key for that element; the **:key** function defaults to the identity function, thereby making the element itself be the key.

The **:key** function should not have any side effects. A useful example of a **:key** function would be a component selector function for a **defstruct** structure, used to merge a sequence of structures.

If the **:key** and *predicate* functions always return, then the merging operation will always terminate. The result of merging two sequences *x* and *y* is a new sequence *z*, such that the length of *z* is the sum of the lengths of *x* and *y*, and *z* contains all the elements of *x* and *y*. If *x1* and *x2* are two elements of *x*, and *x1* precedes *x2* in *x*, then *x1* precedes *x2* in *z*, and similarly for elements of *y*. In short, *z* is an *interleaving* of *x* and *y*.

Moreover, if *x* and *y* were correctly sorted according to the *predicate*, then *z* will also be correctly sorted, as shown in this example.

```
(merge 'list '(1 3 4 6 7) '(2 5 8) #'<) ⇒ (1 2 3 4 5 6 7 8)
```

If *x* or *y* is not so sorted then *z* will not be sorted, but will nevertheless be an interleaving of *x* and *y*.

The merging operation is guaranteed *stable*; if two or more elements are considered equal by the *predicate*, then the elements from *sequence1* will precede those from *sequence2* in the result. (The *predicate* is assumed to consider two elements *x* and *y* to be equal if **(funcall predicate x y)** and **(funcall predicate y x)** are both false.) For example:

```
(merge 'string "BOY" "nosy" #'char-lessp) ⇒ "BnOosYy"
```

The result can *not* be **"BnoOsYy"**, **"BnOosyY"**, or **"BnoOsyY"**. The function **char-lessp** ignores case, and so considers the characters **Y** and **y** to be equal, for example; the stability property then guarantees that the character from the first argument (**Y**) must precede the one from the second argument (**y**).

X3J13 voted in June 1989 to specify that **merge** should signal an error if the sequence type specifies the number of elements and the sum of the lengths of the two sequence arguments is different.

X3J13 voted in January 1989 to restrict user side effects; see section 7.9.

# Chapter 15

## Lists

A *cons*, or dotted pair, is a compound data object having two components called the *car* and *cdr*. Each component may be any Lisp object. A *list* is a chain of conses linked by *cdr* fields; the chain is terminated by some atom (a non-cons object). An ordinary list is terminated by **nil**, the empty list (also written `()`). A list whose *cdr* chain is terminated by some non-**nil** atom is called a *dotted list*.

The recommended predicate for testing for the end of a list is **endp**.

### 15.1 Conses

These are the basic operations on conses viewed as pairs rather than as the constituents of a list.

*[Function]* **car** *list*

This returns the *car* of *list*, which must be a cons or `()`; that is, *list* must satisfy the predicate **listp**. By definition, the *car* of `()` is `()`. If the cons is regarded as the first cons of a list, then **car** returns the first element of the list. For example:

`(car '(a b c)) ⇒ a`

See **first**. The *car* of a cons may be altered by using **rplaca** or **setf**.

[Function] **cdr** *list*

This returns the *cdr* of *list*, which must be a cons or (); that is, *list* must satisfy the predicate **listp**. By definition, the *cdr* of () is (). If the cons is regarded as the first cons of a list, then **cdr** returns the rest of the list, which is a list with all elements but the first of the original list. For example:

(cdr '(a b c)) ⇒ (b c)

See **rest**. The *cdr* of a cons may be altered by using **rplacd** or **setf**.

[Function] **caar** *list*

[Function] **cadr** *list*

[Function] **cdar** *list*

[Function] **cddr** *list*

[Function] **caaar** *list*

[Function] **caadr** *list*

[Function] **cadar** *list*

[Function] **caddr** *list*

[Function] **cdaar** *list*

[Function] **cdadr** *list*

[Function] **cddar** *list*

[Function] **cddddr** *list*

[Function] **caaaar** *list*

[Function] **caaadr** *list*

[Function] **caadar** *list*

[Function] **caaddr** *list*

[Function] **cadaar** *list*

[Function] **cadadr** *list*

[Function] **caddar** *list*

[Function] **cadddr** *list*

[Function] **cdaaar** *list*

[Function] **cdaadr** *list*

[Function] **cdadar** *list*

[Function] **cdaddr** *list*

[Function] **cddaar** *list*

[Function] **cddadr** *list*

[Function] **cdddar** *list*



[Function] **cddddr** *list*

All of the compositions of up to four **car** and **cdr** operations are defined as separate Common Lisp functions. The names of these functions begin with **c** and end with **r**, and in between is a sequence of **a** and **d** letters corresponding to the composition performed by the function. For example:

(cddadr x) is the same as (cdr (cdr (car (cdr x))))

If the argument is regarded as a list, then **cadr** returns the second element of the list, **caddr** the third, and **caddr** the fourth. If the first element of a list is a list, then **caar** is the first element of the sublist, **cdar** is the rest of that sublist, and **cadar** is the second element of the sublist, and so on.

As a matter of style, it is often preferable to define a function or macro to access part of a complicated data structure, rather than to use a long **car/cdr** string. For example, one might define a macro to extract the list of parameter variables from a lambda-expression:

```
(defmacro lambda-vars (lambda-exp) '(cadr ,lambda-exp))
```

and then use **lambda-vars** for this purpose instead of **cadr**. See also **defstruct**, which will automatically define new record data types and access functions for instances of them.

Any of these functions may be used to specify a *place* for **setf**.

[Function] **cons** *x y*

**cons** is the primitive function to create a new *cons* whose *car* is *x* and whose *cdr* is *y*. For example:

```
(cons 'a 'b) ⇒ (a . b)
(cons 'a (cons 'b (cons 'c '()))) ⇒ (a b c)
(cons 'a '(b c d)) ⇒ (a b c d)
```

**cons** may be thought of as creating a *cons*, or as adding a new element to the front of a list.

[Function] **tree-equal** *x y &key :test :test-not*

This is a predicate that is true if *x* and *y* are isomorphic trees with identical leaves, that is, if *x* and *y* are atoms that satisfy the test (by default

**eql**), or if they are both conses and their *car*'s are **tree-equal** and their *cdr*'s are **tree-equal**. Thus **tree-equal** recursively compares conses (but not any other objects that have components). See **equal**, which does recursively compare certain other structured objects, such as strings.

X3J13 voted in January 1989 to restrict user side effects; see section 7.9.

## 15.2 Lists

The following functions perform various operations on lists.

The list is one of the original Lisp data types. The very name “Lisp” is an abbreviation for “LISt Processing.”

*[Function]* **endp** *object*

The predicate **endp** is the recommended way to test for the end of a list. It is false of conses, true of **nil**, and an error for all other arguments.

---

**Implementation note:** Implementations are encouraged to signal an error, especially in the interpreter, for a non-list argument. The **endp** function is defined so as to allow compiled code to perform simply an atom check or a null check if speed is more important than safety.

---

*[Function]* **list-length** *list*

**list-length** returns, as an integer, the length of *list*. **list-length** differs from **length** when the *list* is circular; **length** may fail to return, whereas **list-length** will return **nil**. For example:

```
(list-length '()) ⇒ 0
(list-length '(a b c d)) ⇒ 4
(list-length '(a (b c) d)) ⇒ 3
(let ((x (list 'a b c)))
  (rplacd (last x) x)
  (list-length x)) ⇒ nil
```

**list-length** could be implemented as follows:

```
(defun list-length (x)
  (do ((n 0 (+ n 2))          ;Counter
      (fast x (caddr fast))  ;Fast pointer: leaps by 2
      (slow x (cdr slow)))   ;Slow pointer: leaps by 1
      (nil)
    ;; If fast pointer hits the end, return the count.
    (when (endp fast) (return n))
    (when (endp (cdr fast)) (return (+ n 1)))
    ;; If fast pointer eventually equals slow pointer,
    ;; then we must be stuck in a circular list.
    ;; (A deeper property is the converse: if we are
    ;; stuck in a circular list, then eventually the
    ;; fast pointer will equal the slow pointer.
    ;; That fact justifies this implementation.)
    (when (and (eq fast slow) (> n 0)) (return nil))))
```

See **length**, which will return the length of any sequence.

*[Function]* **nth** *n list*

**(nth *n list*)** returns the *n*th element of *list*, where the *car* of the list is the “zeroth” element. The argument *n* must be a non-negative integer. If the length of the list is not greater than *n*, then the result is `()`, that is, **nil**. (This is consistent with the idea that the *car* and *cdr* of `()` are each `()`.) For example:

```
(nth 0 '(foo bar gack)) ⇒ foo
(nth 1 '(foo bar gack)) ⇒ bar
(nth 3 '(foo bar gack)) ⇒ ()
```

**nth** may be used to specify a *place* to **setf**; when **nth** is used in this way, the argument *n* must be less than the length of the *list*.

Note that the arguments to **nth** are reversed from the order used by most other sequence selector functions such as **elt**.

*[Function]* **first** *list*

*[Function]* **second** *list*

*[Function]* **third** *list*

*[Function]* **fourth** *list*

*[Function]* **fifth** *list*  
*[Function]* **sixth** *list*  
*[Function]* **seventh** *list*  
*[Function]* **eighth** *list*  
*[Function]* **ninth** *list*  
*[Function]* **tenth** *list*

These functions are sometimes convenient for accessing particular elements of a list. **first** is the same as **car**, **second** is the same as **cadr**, **third** is the same as **caddr**, and so on. Note that the ordinal numbering used here is one-origin, as opposed to the zero-origin numbering used by **nth**:

$(\text{fifth } x) \equiv (\text{nth } 4 \ x)$

**setf** may be used with each of these functions to store into the indicated position of a list.

*[Function]* **rest** *list*

**rest** means the same as **cdr** but mnemonically complements **first**. **setf** may be used with **rest** to replace the *cdr* of a list with a new value.

*[Function]* **nthcdr** *n list*

**(nthcdr *n list*)** performs the **cdr** operation *n* times on *list*, and returns the result. For example:

$(\text{nthcdr } 0 \ '(a \ b \ c)) \Rightarrow (a \ b \ c)$   
 $(\text{nthcdr } 2 \ '(a \ b \ c)) \Rightarrow (c)$   
 $(\text{nthcdr } 4 \ '(a \ b \ c)) \Rightarrow ()$

In other words, it returns the *n*th *cdr* of the list.

$(\text{car } (\text{nthcdr } n \ x)) \equiv (\text{nth } n \ x)$

The argument *n* must be a non-negative integer.

*[Function]* **last** *list* &optional (*n* 1)

**last** returns the tail of the *list* consisting of the last *n* conses of *list*. The *list* may be a dotted list. It is an error if the *list* is circular.

The argument  $n$  must be a non-negative integer. If  $n$  is zero, then the atom that terminates the *list* is returned. If  $n$  is not less than the number of cons cells making up the *list*, then the *list* itself is returned.

For example:

```
(setq x '(a b c d))
(last x) ⇒ (d)
(rplacd (last x) '(e f))
x ⇒ '(a b c d e f)
(last x 3) ⇒ (d e f)
(last '()) ⇒ ()
(last '(a b c . d)) ⇒ (c . d)
(last '(a b c . d) 0) ⇒ d
(last '(a b c . d) 2) ⇒ (b c . d)
(last '(a b c . d) 1729) ⇒ (a b c . d)
```

[Function] **list** &rest *args*

**list** constructs and returns a list of its arguments. For example:

```
(list 3 4 'a (car '(b . c)) (+ 6 -2)) ⇒ (3 4 a b 4)
(list) ⇒ ()
(list (list 'a 'b) (list 'c 'd 'e)) ⇒ ((a b) (c d e))
```

[Function] **list\*** *arg* &rest *others*

**list\*** is like **list** except that the last *cons* of the constructed list is “dotted.” The last argument to **list\*** is used as the *cdr* of the last cons constructed; this need not be an atom. If it is not an atom, then the effect is to add several new elements to the front of a list. For example:

```
(list* 'a 'b 'c 'd) ⇒ (a b c . d)
```

This is like

```
(cons 'a (cons 'b (cons 'c 'd)))
```

Also:

```
(list* 'a 'b 'c '(d e f)) ⇒ (a b c d e f)
(list* x) ≡ x
```

[Function] **make-list** *size* &key *:initial-element*

This creates and returns a list containing *size* elements, each of which is initialized to the **:initial-element** argument (which defaults to **nil**). *size* should be a non-negative integer. For example:

```
(make-list 5) ⇒ (nil nil nil nil nil)
(make-list 3 :initial-element 'rah) ⇒ (rah rah rah)
```

[Function] **append** &rest *lists*

The arguments to **append** are lists. The result is a list that is the concatenation of the arguments. The arguments are not destroyed. For example:

```
(append '(a b c) '(d e f) '()) '(g)) ⇒ (a b c d e f g)
```

Note that **append** copies the top-level list structure of each of its arguments *except* the last. The function **concatenate** can perform a similar operation, but always copies all its arguments. See also **nconc**, which is like **append** but destroys all arguments but the last.

The last argument actually need not be a list but may be any Lisp object, which becomes the tail end of the constructed list. For example, (**append** '(a b c) 'd) ⇒ (a b c . d).

(**append** *x* '()) is an idiom once frequently used to copy the list *x*, but the **copy-list** function is more appropriate to this task.

[Function] **copy-list** *list*

This returns a list that is **equal** to *list*, but not **eq**. Only the top level of list structure is copied; that is, **copy-list** copies in the *cdr* direction but not in the *car* direction. If the list is “dotted,” that is, (**cdr** (**last** *list*)) is a non-**nil** atom, this will be true of the returned list also. See also **copy-seq** and **copy-tree**.

[Function] **copy-alist** *list*

**copy-alist** is for copying association lists. The top level of list structure of *list* is copied, just as for **copy-list**. In addition, each element of *list* that is a cons is replaced in the copy by a new cons with the same *car* and *cdr*.

[Function] **copy-tree** *object*

**copy-tree** is for copying trees of conses. The argument *object* may be any Lisp object. If it is not a cons, it is returned; otherwise the result is a new cons of the results of calling **copy-tree** on the *car* and *cdr* of the argument. In other words, all conses in the tree are copied recursively, stopping only when non-conses are encountered. Circularities and the sharing of substructure are *not* preserved.

[Function] **revappend** *x y*

(**revappend** *x y*) is exactly the same as (**append** (**reverse** *x*) *y*) except that it is potentially more efficient. Both *x* and *y* should be lists. The argument *x* is copied, not destroyed. Compare this with **nreconc**, which destroys its first argument.

[Function] **nconc** &rest *lists*

**nconc** takes lists as arguments. It returns a list that is the arguments concatenated together. The arguments are changed rather than copied. (Compare this with **append**, which copies arguments rather than destroying them.) For example:

```
(setq x '(a b c))
(setq y '(d e f))
(nconc x y) ⇒ (a b c d e f)
x ⇒ (a b c d e f)
```

Note, in the example, that the value of **x** is now different, since its last cons has been **rplacd**'d to the value of **y**. If one were then to evaluate (**nconc** **x y**) again, it would yield a piece of “circular” list structure, whose printed representation would be (**a b c d e f d e f d e f ...**), repeating forever; if the **\*print-circle\*** switch were non-**nil**, it would be printed as (**a b c . #1=(d e f . #1#)**).

The side-effect behavior of **nconc** is specified by a recursive relationship outlined in the following table, in which a call to **nconc** matching the earliest possible pattern on the left is required to have side-effect behavior equivalent to the corresponding expression on the right.

```

(nconc)           nil      ;No side effects
(nconc nil . r)  (nconc . r)
(nconc x)        x
(nconc x y)      (let ((p x) (q y))
                  (rplacd (last p) q)
                  p)
(nconc x y . r)  (nconc (nconc x y) . r)

```

[Function] **nreconc** *x y*

(**nreconc x y**) is exactly the same as (**nconc (nreverse x) y**) except that it is potentially more efficient. Both *x* and *y* should be lists. The argument *x* is destroyed. Compare this with **revappend**.

```

(setq planets '(jupiter mars earth venus mercury))
(setq more-planets '(saturn uranus pluto neptune))
(nreconc more-planets planets)
⇒ (neptune pluto uranus saturn jupiter mars earth venus mercury)
and now the value of more-planets is not well defined

```

(**nreconc x y**) is permitted and required to have side-effect behavior equivalent to that of (**nconc (nreverse x) y**).

[Macro] **push** *item place*

The form *place* should be the name of a generalized variable containing a list; *item* may refer to any Lisp object. The *item* is consed onto the front of the list, and the augmented list is stored back into *place* and returned. The form *place* may be any form acceptable as a generalized variable to **setf**. If the list held in *place* is viewed as a push-down stack, then **push** pushes an element onto the top of the stack. For example:

```

(setq x '(a (b c) d))
(push 5 (cadr x)) ⇒ (5 b c) and now x ⇒ (a (5 b c) d)

```

The effect of (**push *item place***) is roughly equivalent to

```
(setf place (cons item place))
```

except that the latter would evaluate any subforms of *place* twice, while **push** takes care to evaluate them only once. Moreover, for certain *place* forms **push** may be significantly more efficient than the **setf** version.



Note that *item* is fully evaluated before any part of *place* is evaluated.

[Macro] **pushnew** *item place* &key :test :test-not :key

The form *place* should be the name of a generalized variable containing a list; *item* may refer to any Lisp object. If the *item* is not already a member of the list (as determined by comparisons using the **:test** predicate, which defaults to **eql**), then the *item* is consed onto the front of the list, and the augmented list is stored back into *place* and returned; otherwise the unaugmented list is returned. The form *place* may be any form acceptable as a generalized variable to **setf**. If the list held in *place* is viewed as a set, then **pushnew** adjoins an element to the set; see **adjoin**.

The keyword arguments to **pushnew** follow the conventions for the generic sequence functions. See chapter 14. In effect, these keywords are simply passed on to the **adjoin** function.

**pushnew** returns the new contents of the *place*. For example:

```
(setq x '(a (b c) d))
(pushnew 5 (cadr x)) => (5 b c) and now x => (a (5 b c) d)
(pushnew 'b (cadr x)) => (5 b c) and x is unchanged
```

The effect of

```
(pushnew item place :test p)
```

is roughly equivalent to

```
(setf place (adjoin item place :test p))
```

except that the latter would evaluate any subforms of *place* twice, while **pushnew** takes care to evaluate them only once. Moreover, for certain *place* forms **pushnew** may be significantly more efficient than the **setf** version.

Note that *item* is fully evaluated before any part of *place* is evaluated.

[Macro] **pop** *place*

The form *place* should be the name of a generalized variable containing a list. The result of **pop** is the **car** of the contents of *place*, and as a side effect the **cdr** of the contents is stored back into *place*. The form *place* may be any form acceptable as a generalized variable to **setf**. If the list held in *place* is viewed as a push-down stack, then **pop** pops an element from the top of the stack and returns it. For example:

```
(setq stack '(a b c))
(pop stack) ⇒ a and now stack ⇒ (b c)
```

The effect of (**pop** *place*) is roughly equivalent to

```
(prog1 (car place) (setf place (cdr place)))
```

except that the latter would evaluate any subforms of *place* three times, while **pop** takes care to evaluate them only once. Moreover, for certain *place* forms **pop** may be significantly more efficient than the **setf** version.

[Function] **butlast** *list* &optional *n*

This creates and returns a list with the same elements as *list*, excepting the last *n* elements. *n* defaults to 1. The argument is not destroyed. If the *list* has fewer than *n* elements, then () is returned. For example:

```
(butlast '(a b c d)) ⇒ (a b c)
(butlast '((a b) (c d))) ⇒ ((a b))
(butlast '(a)) ⇒ ()
(butlast nil) ⇒ ()
```

The name is from the phrase “all elements but the last.”

[Function] **nbutlast** *list* &optional *n*

This is the destructive version of **butlast**; it changes the *cdr* of the cons *n*+1 from the end of the *list* to **nil**. *n* defaults to 1. If the *list* has fewer than *n* elements, then **nbutlast** returns (), and the argument is not modified. (Therefore one normally writes (**setq** *a* (**nbutlast** *a*)) rather than simply (**nbutlast** *a*.) For example:

```
(setq foo '(a b c d))
(nbutlast foo) ⇒ (a b c)
foo ⇒ (a b c)
(nbutlast '(a)) ⇒ ()
(nbutlast 'nil) ⇒ ()
```

[Function] **ldiff** *list* *sublist*

*list* should be a list, and *sublist* should be a sublist of *list*, that is, one of the conses that make up *list*. **ldiff** (meaning “list difference”) will return

a new (freshly consed) list, whose elements are those elements of *list* that appear before *sublist*. If *sublist* is not a tail of *list* (and in particular if *sublist* is **nil**), then a copy of the entire *list* is returned. The argument *list* is not destroyed. For example:

```
(setq x '(a b c d e))
(setq y (cdddr x)) ⇒ (d e)
(ldiff x y) ⇒ (a b c)
but (ldiff '(a b c d) '(c d)) ⇒ (a b c d)
```

since the *sublist* was not **eq** to any part of the list.

### 15.3 Alteration of List Structure

The functions **rplaca** and **rplacd** may be used to make alterations in already existing list structure, that is, to change the *car* or *cdr* of an existing cons. One may also use **setf** in conjunction with **car** and **cdr**.

The structure is not copied but is destructively altered; hence caution should be exercised when using these functions, as strange side effects can occur if portions of list structure become shared. The **nconc**, **nreverse**, **nreconc**, and **nbutlast** functions, already described, have the same property, as do certain of the generic sequence functions such as **delete**. However, they are normally not used for this side effect; rather, the list-structure modification is purely for efficiency, and compatible non-modifying functions are provided.

[Function] **rplaca** *x y*

(**rplaca** *x y*) changes the *car* of *x* to *y* and returns (the modified) *x*. *x* must be a cons, but *y* may be any Lisp object. For example:

```
(setq g '(a b c))
(rplaca (cdr g) 'd) ⇒ (d c)
Now g ⇒ (a d c)
```

[Function] **rplacd** *x y*

(**rplacd** *x y*) changes the *cdr* of *x* to *y* and returns (the modified) *x*. *x* must be a cons, but *y* may be any Lisp object. For example:

```
(setq x '(a b c))
(rplacd x 'd) ⇒ (a . d)
Now x ⇒ (a . d)
```

The functions **rplaca** and **rplacd** go back to the earliest origins of Lisp, along with **car**, **cdr**, and **cons**. Nowadays, however, they seem to be falling by the wayside. More and more Common Lisp programmers use **setf** for nearly all structure modifications: **(rplaca x y)** is rendered as **(setf (car x) y)** or perhaps as **(setf (first x) y)**. Even more likely is that a **defstruct** structure or a CLOS class is used in place of a list, if the data structure is at all complicated; in this case **setf** is used with a slot accessor.

## 15.4 Substitution of Expressions

A number of functions are provided for performing substitutions within a tree. All take a tree and a description of old subexpressions to be replaced by new ones. They come in non-destructive and destructive varieties and specify substitution either by two arguments or by an association list.

The naming conventions for these functions and for their keyword arguments generally follow the conventions for the generic sequence functions. See chapter 14.

*[Function]* **subst** *new old tree &key :test :test-not :key*

*[Function]* **subst-if** *new test tree &key :key*

*[Function]* **subst-if-not** *new test tree &key :key*

**(subst new old tree)** makes a copy of *tree*, substituting *new* for every subtree or leaf of *tree* (whether the subtree or leaf is a *car* or a *cdr* of its parent) such that *old* and the subtree or leaf satisfy the test. It returns the modified copy of *tree*. The original *tree* is unchanged, but the result tree may share with parts of the argument *tree*.

For example:

```
(subst 'tempest 'hurricane
      '(shakespeare wrote (the hurricane)))
⇒ (shakespeare wrote (the tempest))
```

```
(subst 'foo 'nil '(shakespeare wrote (twelfth night)))
```

```
⇒ (shakespeare wrote (twelfth night . foo) . foo)
```

```
(subst '(a . cons) '(old . pair)
      '((old . spice) ((old . shoes) old . pair) (old . pair))
      :test #'equal)
⇒ ((old . spice) ((old . shoes) a . cons) (a . cons))
```

This function is not destructive; that is, it does not change the *car* or *cdr* of any already existing list structure. One possible definition of **subst**:

```
(defun subst (old new tree &rest x &key test test-not key)
  (cond ((satisfies-the-test old tree :test test
                             :test-not test-not :key key)
        new)
        ((atom tree) tree)
        (t (let ((a (apply #'subst old new (car tree) x))
                 (d (apply #'subst old new (cdr tree) x)))
             (if (and (eql a (car tree))
                     (eql d (cdr tree)))
                 tree
                 (cons a d))))))
```

See also **substitute**, which substitutes for top-level elements of a sequence.

X3J13 voted in January 1989 to restrict user side effects; see section 7.9.

[Function] **nsubst** *new old tree &key :test :test-not :key*

[Function] **nsubst-if** *new test tree &key :key*

[Function] **nsubst-if-not** *new test tree &key :key*

**nsubst** is a destructive version of **subst**. The list structure of *tree* is altered by destructively replacing with *new* each leaf or subtree of the *tree* such that *old* and the leaf or subtree satisfy the test.

X3J13 voted in January 1989 to restrict user side effects; see section 7.9.

[Function] **sublis** *alist tree &key :test :test-not :key*

**sublis** makes substitutions for objects in a tree (a structure of conses). The first argument to **sublis** is an association list. The second argument is the tree in which substitutions are to be made, as for **subst**. **sublis** looks

at all subtrees and leaves of the tree; if a subtree or leaf appears as a key in the association list (that is, the key and the subtree or leaf satisfy the test), it is replaced by the object with which it is associated. This operation is non-destructive. In effect, **sublis** can perform several **subst** operations simultaneously. For example:

```
(sublis '((x . 100) (z . zprime))
        '(plus x (minus g z x p) 4 . x))
⇒ (plus 100 (minus g zprime 100 p) 4 . 100)
```

```
(sublis '(((+ x y) . (- x y)) ((- x y) . (+ x y)))
        '(* (/ (+ x y) (+ x p)) (- x y))
        :test #'equal)
⇒ (* (/ (- x y) (+ x p)) (+ x y))
```

X3J13 voted in January 1989 to restrict user side effects; see section 7.9.

*[Function]* **nsublis** *alist tree &key :test :test-not :key*

**nsublis** is like **sublis** but destructively modifies the relevant parts of the *tree*.

X3J13 voted in January 1989 to restrict user side effects; see section 7.9.

## 15.5 Using Lists as Sets

Common Lisp includes functions that allow a list of items to be treated as a *set*. There are functions to add, remove, and search for items in a list, based on various criteria. There are also set union, intersection, and difference functions.

The naming conventions for these functions and for their keyword arguments generally follow the conventions that apply to the generic sequence functions. See chapter 14.

*[Function]* **member** *item list &key :test :test-not :key*

*[Function]* **member-if** *predicate list &key :key*

*[Function]* **member-if-not** *predicate list &key :key*

The *list* is searched for an element that satisfies the test. If none is found, **nil** is returned; otherwise, the tail of *list* beginning with the first element that

satisfied the test is returned. The *list* is searched on the top level only. These functions are suitable for use as predicates.

For example:

```
(member 'snerd '(a b c d)) ⇒ nil
(member-if #'numberp '(a #\Space 5/3 foo)) ⇒ (5/3 foo)
(member 'a '(g (a y) c a d e a f)) ⇒ (a d e a f)
```

Note, in the last example, that the value returned by **member** is **eq** to the portion of the list beginning with **a**. Thus **rplaca** on the result of **member** may be used to alter the found list element, if a check is first made that **member** did not return **nil**.

See also **find** and **position**.

X3J13 voted in January 1989 to restrict user side effects; see section 7.9.

[Function] **tailp** *sublist list*

**tailp** is true if and only if there exists an integer *n* such that

```
(eql sublist (nthcdr n list))
```

*list* may be a dotted list (implying that implementations must use **atom** and not **endp** to check for the end of the *list*).

[Function] **adjoin** *item list &key :test :test-not :key*

**adjoin** is used to add an element to a set, provided that it is not already a member. The equality test defaults to **eql**.

```
(adjoin item list) ≡ (if (member item list) list (cons item list))
```

In general, the test may be any predicate; the *item* is added to the list only if there is no element of the list that “satisfies the test.”

**adjoin** deviates from the usual rules described in chapter 14 for the treatment of arguments named *item* and **:key**. If a **:key** function is specified, it is applied to *item* as well as to each element of the list. The rationale is that if the *item* is not yet in the list, it soon will be, and so the test is more properly viewed as being between two elements rather than between a separate *item* and an element.

```
(adjoin item list :key fn)
≡ (if (member (funcall fn item) list :key fn) list (cons item list))
```

See **pushnew**.

X3J13 voted in January 1989 to restrict user side effects; see section 7.9.

[Function] **union** *list1 list2 &key :test :test-not :key*

[Function] **nunion** *list1 list2 &key :test :test-not :key*

**union** takes two lists and returns a new list containing everything that is an element of either of the *lists*. If there is a duplication between two lists, only one of the duplicate instances will be in the result. If either of the arguments has duplicate entries within it, the redundant entries may or may not appear in the result. For example:

```
(union '(a b c) '(f a d))
⇒ (a b c f d) or (b c f a d) or (d f a b c) or ...
```

```
(union '((x 5) (y 6)) '((z 2) (x 4)) :key #'car)
⇒ ((x 5) (y 6) (z 2)) or ((x 4) (y 6) (z 2)) or ...
```

There is no guarantee that the order of elements in the result will reflect the ordering of the arguments in any particular way. The implementation is therefore free to use any of a variety of strategies. The result list may share cells with, or be **eq** to, either of the arguments if appropriate.

In general, the test may be any predicate, and the union operation may be described as follows. For all possible ordered pairs consisting of one element from *list1* and one element from *list2*, the test is used to determine whether they “match.” For every matching pair, at least one of the two elements of the pair will be in the result. Moreover, any element from either list that matches no element of the other will appear in the result. All this is very general, but probably not particularly useful unless the test is an equivalence relation.

The **:test-not** argument can be useful when the test function is the logical negation of an equivalence test. A good example of this is the function **mismatch**, which is logically inverted so that possibly useful information can be returned if the arguments do not match. This additional “useful information” is discarded in the following example; **mismatch** is used purely as a predicate.

```
(union '(#(a b) #(5 0 6) #(f 3))
       '(#(5 0 6) (a b) #(g h)))
```



```

:test-not
 #'mismatch)
⇒ (#(a b) #(5 0 6) #(f 3) #(g h)) ;One possible result
⇒ ((a b) #(f 3) #(5 0 6) #(g h)) ;Another possible result

```

Using `:test-not #'mismatch` differs from using `:test #'equalp`, for example, because `mismatch` will determine that  `#(a b)` and `(a b)` are the same, while `equalp` would regard them as not the same.

**nunion** is the destructive version of **union**. It performs the same operation but may destroy the argument lists, perhaps in order to use their cells to construct the result.

X3J13 voted in January 1989 to restrict user side effects; see section 7.9.

X3J13 voted in March 1989 to clarify the permissible side effects of certain operations; **nunion** is permitted to perform a **setf** on any part, *car* or *cdr*, of the top-level list structure of any of the argument lists.

```

[Function] intersection list1 list2 &key :test :test-not :key
[Function] nintersection list1 list2 &key :test :test-not :key

```

**intersection** takes two lists and returns a new list containing everything that is an element of both argument lists. If either list has duplicate entries, the redundant entries may or may not appear in the result. For example:

```
(intersection '(a b c) '(f a d)) ⇒ (a)
```

There is no guarantee that the order of elements in the result will reflect the ordering of the arguments in any particular way. The implementation is therefore free to use any of a variety of strategies. The result list may share cells with, or be **eq** to, either of the arguments if appropriate.

In general, the test may be any predicate, and the intersection operation may be described as follows. For all possible ordered pairs consisting of one element from *list1* and one element from *list2*, the test is used to determine whether they “match.” For every matching pair, exactly one of the two elements of the pair will be put in the result. No element from either list appears in the result that does not match an element from the other list. All this is very general, but probably not particularly useful unless the test is an equivalence relation.

**nintersection** is the destructive version of **intersection**. It performs the same operation, but may destroy *list1*, perhaps in order to use its cells to construct the result. (The argument *list2* is *not* destroyed.)

X3J13 voted in January 1989 to restrict user side effects; see section 7.9.

X3J13 voted in March 1989 to clarify the permissible side effects of certain operations; **nintersection** is permitted to perform a **setf** on any part, *car* or *cdr*, of the top-level list structure of any of the argument lists.

[Function] **set-difference** *list1 list2 &key :test :test-not :key*

[Function] **nset-difference** *list1 list2 &key :test :test-not :key*

**set-difference** returns a list of elements of *list1* that do not appear in *list2*. This operation is not destructive.

There is no guarantee that the order of elements in the result will reflect the ordering of the arguments in any particular way. The implementation is therefore free to use any of a variety of strategies. The result list may share cells with, or be **eq** to, either of the arguments if appropriate.

In general, the test may be any predicate, and the set difference operation may be described as follows. For all possible ordered pairs consisting of one element from *list1* and one element from *list2*, the test is used to determine whether they “match.” An element of *list1* appears in the result if and only if it does not match any element of *list2*. This is very general and permits interesting applications. For example, one can remove from a list of strings all those strings containing one of a given list of characters:

```
;; Remove all flavor names that contain "c" or "w".
(set-difference '("strawberry" "chocolate" "banana"
                 "lemon" "pistachio" "rhubarb")
               '(#\c #\w)
               :test
               #'(lambda (s c) (find c s)))
⇒ ("banana" "rhubarb" "lemon") ;One possible ordering
```

**nset-difference** is the destructive version of **set-difference**. This operation may destroy *list1*.

X3J13 voted in January 1989 to restrict user side effects; see section 7.9.

[Function] **set-exclusive-or** *list1 list2 &key :test :test-not :key*

[Function] **nset-exclusive-or** *list1 list2 &key :test :test-not :key*

**set-exclusive-or** returns a list of elements that appear in exactly one of *list1* and *list2*. This operation is not destructive.

There is no guarantee that the order of elements in the result will reflect the ordering of the arguments in any particular way. The implementation is therefore free to use any of a variety of strategies. The result list may share cells with, or be **eq** to, either of the arguments if appropriate.

In general, the test may be any predicate, and the **set-exclusive-or** operation may be described as follows. For all possible ordered pairs consisting of one element from *list1* and one element from *list2*, the test is used to determine whether they “match.” The result contains precisely those elements of *list1* and *list2* that appear in no matching pair.

**nset-exclusive-or** is the destructive version of **set-exclusive-or**. Both lists may be destroyed in producing the result.

X3J13 voted in January 1989 to restrict user side effects; see section 7.9.

X3J13 voted in March 1989 to clarify the permissible side effects of certain operations; **nset-exclusive-or** is permitted to perform a **setf** on any part, *car* or *cdr*, of the top-level list structure of any of the argument lists.

[Function] **subsetp** *list1 list2 &key :test :test-not :key*

**subsetp** is a predicate that is true if every element of *list1* appears in (“matches” some element of) *list2*, and false otherwise.

X3J13 voted in January 1989 to restrict user side effects; see section 7.9.

## 15.6 Association Lists

An *association list*, or *a-list*, is a data structure used very frequently in Lisp. An a-list is a list of pairs (conses); each pair is an association. The *car* of a pair is called the *key*, and the *cdr* is called the *datum*.

An advantage of the a-list representation is that an a-list can be incrementally augmented simply by adding new entries to the front. Moreover, because the searching function **assoc** searches the a-list in order, new entries can “shadow” old entries. If an a-list is viewed as a mapping from keys to data, then the mapping can be not only augmented but also altered in a non-destructive manner by adding new entries to the front of the a-list.

Sometimes an a-list represents a bijective mapping, and it is desirable to retrieve a key given a datum. For this purpose, the “reverse” searching function **rassoc** is provided. Other variants of a-list searches can be constructed using the function **find** or **member**.

It is permissible to let **nil** be an element of an a-list in place of a pair. Such an element is not considered to be a pair but is simply passed over when the a-list is searched by **assoc**.

[Function] **acons** *key datum a-list*

**acons** constructs a new association list by adding the pair (*key . datum*) to the old *a-list*.

(acons x y a)  $\equiv$  (cons (cons x y) a)

[Function] **pairlis** *keys data &optional a-list*

**pairlis** takes two lists and makes an association list that associates elements of the first list to corresponding elements of the second list. It is an error if the two lists *keys* and *data* are not of the same length. If the optional argument *a-list* is provided, then the new pairs are added to the front of it.

The new pairs may appear in the resulting a-list in any order; in particular, either forward or backward order is permitted. Therefore the result of the call

(pairlis '(one two) '(1 2) '((three . 3) (four . 19)))

might be

((one . 1) (two . 2) (three . 3) (four . 19))

but could equally well be

((two . 2) (one . 1) (three . 3) (four . 19))

[Function] **assoc** *item a-list &key :test :test-not :key*

[Function] **assoc-if** *predicate a-list &key :key*

[Function] **assoc-if-not** *predicate a-list &key :key*

Each of these searches the association list *a-list*. The value is the first pair in the a-list such that the *car* of the pair satisfies the test, or **nil** if there is no such pair in the a-list. For example:

(assoc 'r '((a . b) (c . d) (r . x) (s . y) (r . z)))  
 $\Rightarrow$  (r . x)

(assoc 'goo '((foo . bar) (zoo . goo)))  $\Rightarrow$  **nil**

(assoc '2 '((1 a b c) (2 b c d) (-7 x y z)))  $\Rightarrow$  (2 b c d)

It is possible to **rplacd** the result of **assoc** *provided* that it is not **nil**, in order to “update” the “table” that was **assoc**’s second argument. (However, it is often better to update an a-list by adding new pairs to the front, rather than altering old pairs.) For example:

```
(setq values '((x . 100) (y . 200) (z . 50)))
(assoc 'y values) ⇒ (y . 200)
(rplacd (assoc 'y values) 201)
(assoc 'y values) ⇒ (y . 201) now
```

A typical trick is to say (**cdr (assoc x y)**). Because the *cdr* of **nil** is guaranteed to be **nil**, this yields **nil** if no pair is found *or* if a pair is found whose *cdr* is **nil**. This is useful if **nil** serves its usual role as a “default value.”

The two expressions

```
(assoc item list :test fn)
```

and

```
(find item list :test fn :key #'car)
```

are equivalent in meaning with one important exception: if **nil** appears in the a-list in place of a pair, and the *item* being searched for is **nil**, **find** will blithely compute the *car* of the **nil** in the a-list, find that it is equal to the *item*, and return **nil**, whereas **assoc** will ignore the **nil** in the a-list and continue to search for an actual pair (cons) whose *car* is **nil**. See **find** and **position**.

X3J13 voted in January 1989 to restrict user side effects; see section 7.9.

[Function] **rassoc** *item a-list &key :test :test-not :key*

[Function] **rassoc-if** *predicate a-list &key :key*

[Function] **rassoc-if-not** *predicate a-list &key :key*

**rassoc** is the reverse form of **assoc**; it searches for a pair whose *cdr* satisfies the test, rather than the *car*. If the *a-list* is considered to be a mapping, then **rassoc** treats the *a-list* as representing the inverse mapping. For example:

```
(rassoc 'a '((a . b) (b . c) (c . a) (z . a))) ⇒ (c . a)
```

The expressions

```
(rassoc item list :test fn)
```

and

```
(find item list :test fn :key #'cdr)
```

are equivalent in meaning, except when the *item* is **nil** and **nil** appears in place of a pair in the a-list. See the discussion of the function **assoc**.

X3J13 voted in January 1989 to restrict user side effects; see section 7.9.

# Chapter 16

## Hash Tables

A hash table is a Lisp object that can efficiently map a given Lisp object to another Lisp object. Each hash table has a set of *entries*, each of which associates a particular *key* with a particular *value*. The basic functions that deal with hash tables can create entries, delete entries, and find the value that is associated with a given key. Finding the value is very fast, even if there are many entries, because hashing is used; this is an important advantage of hash tables over property lists.

A given hash table can associate only one *value* with a given *key*; if you try to add a second *value*, it will replace the first. Also, adding a value to a hash table is a destructive operation; the hash table is modified. By contrast, association lists can be augmented non-destructively.

Hash tables come in three kinds, the difference being whether the keys are compared with **eq**, **eql**, or **equal**. In other words, there are hash tables that hash on Lisp *objects* (using **eq** or **eql**) and there are hash tables that hash on *tree structure* (using **equal**).

Hash tables are created with the function **make-hash-table**, which takes various options, including which kind of hash table to make (the default being the **eql** kind). To look up a key and find the associated value, use **gethash**. New entries are added to hash tables using **setf** with **gethash**. To remove an entry, use **remhash**. Here is a simple example.

```
(setq a (make-hash-table))
(setf (gethash 'color a) 'brown)
(setf (gethash 'name a) 'fred)
(gethash 'color a) ⇒ brown
```

```
(gethash 'name a) ⇒ fred
(gethash 'pointy a) ⇒ nil
```

In this example, the symbols **color** and **name** are being used as keys, and the symbols **brown** and **fred** are being used as the associated values. The hash table has two items in it, one of which associates from **color** to **brown**, and the other of which associates from **name** to **fred**.

Keys do not have to be symbols; they can be any Lisp object. Similarly, values can be any Lisp object.

There is a discrepancy between the preceding description of the size of a hash table and the description of the **:size** argument in the specification below of **make-hash-table**.

X3J13 voted in June 1989 to regard the latter description as definitive: the **:size** argument is approximately the number of entries that can be inserted without having to enlarge the hash table. This definition is certainly more convenient for the user.

## 16.1 Hash Table Functions

This section documents the functions for hash tables, which use *objects* as keys and associate other objects with them.

*[Function]* **make-hash-table** &key *:test :size :rehash-size*  
*:rehash-threshold*

This function creates and returns a new hash table. The **:test** argument determines how keys are compared; it must be one of the three values **#'eq**, **#'eql**, or **#'equal**, or one of the three symbols **eq**, **eql**, or **equal**. If no test is specified, **eql** is assumed.

X3J13 voted in January 1989 to add a fourth type of hash table: the value of **#'equalp** and the symbol **equalp** are to be additional valid possibilities for the **:test** argument.

Note that one consequence of the vote to change the rules of floating-point contagion (described in section 12.1) is to require **=**, and therefore also **equalp**, to compare the values of numbers exactly and not approximately, making **equalp** a true equivalence relation on numbers.

Another valuable use of **equalp** hash tables is case-insensitive comparison of keys that are strings.



The **:size** argument sets the initial size of the hash table, in entries. (The actual size may be rounded up from the size you specify to the next “good” size, for example to make it a prime number.) You won’t necessarily be able to store precisely this many entries into the table before it overflows and becomes bigger, but this argument does serve as a hint to the implementation of approximately how many entries you intend to store.

X3J13 voted in January 1989 to clarify that the **:size** argument must be a non-negative integer.

X3J13 voted in June 1989 to regard the preceding description of the **:size** argument as definitive: it is approximately the number of entries that can be inserted without having to enlarge the hash table.

The **:rehash-size** argument specifies how much to increase the size of the hash table when it becomes full. This can be an integer greater than zero, which is the number of entries to add, or it can be a floating-point number greater than 1, which is the ratio of the new size to the old size. The default value for this argument is implementation-dependent.

The **:rehash-threshold** argument specifies how full the hash table can get before it must grow. It may be any **real** number between **0** and **1**, inclusive. It indicates the maximum desired level of hash table occupancy. An implementation is permitted to ignore this argument. The default value for this argument is implementation-dependent.

An example of the use of **make-hash-table**:

```
(make-hash-table :rehash-size 1.5
                 :size (* number-of-widgets 43))
```

[Function] **hash-table-p** *object*

**hash-table-p** is true if its argument is a hash table, and otherwise is false.

```
(hash-table-p x) ≡ (typep x 'hash-table)
```

[Function] **gethash** *key hash-table &optional default*

**gethash** finds the entry in *hash-table* whose key is *key* and returns the associated value. If there is no such entry, **gethash** returns *default*, which is **nil** if not specified.

**gethash** actually returns two values, the second being a predicate value that is true if an entry was found, and false if no entry was found.

**setf** may be used with **gethash** to make new entries in a hash table. If an entry with the specified *key* already exists, it is removed before the new entry is added. The *default* argument may be specified to **gethash** in this context; it is ignored by **setf** but may be useful in such macros as **incf** that are related to **setf**:

```
(incf (gethash a-key table 0))
```

means approximately the same as

```
(setf (gethash a-key table 0)
      (+ (gethash a-key table 0) 1))
```

which in turn would be treated as simply

```
(setf (gethash a-key table)
      (+ (gethash a-key table 0) 1))
```

*[Function]* **remhash** *key hash-table*

**remhash** removes any entry for *key* in *hash-table*. This is a predicate that is true if there was an entry or false if there was not.

*[Function]* **maphash** *function hash-table*

For each entry in *hash-table*, **maphash** calls *function* on two arguments: the key of the entry and the value of the entry; **maphash** then returns **nil**. If entries are added to or deleted from the hash table while a **maphash** is in progress, the results are unpredictable, with one exception: if the *function* calls **remhash** to remove the entry currently being processed by the *function*, or performs a **setf** of **gethash** on that entry to change the associated value, then those operations will have the intended effect. For example:

```
;;; Alter every entry in MY-HASH-TABLE, replacing the value with
;;; its square root. Entries with negative values are removed.
(maphash #'(lambda (key val)
            (if (minusp val)
                (remhash key my-hash-table)
                (setf (gethash key my-hash-table) (sqrt val))))
        my-hash-table)
```

X3J13 voted in January 1989 to restrict user side effects; see section 7.9.

[Function] **clrhash** *hash-table*

This removes all the entries from *hash-table* and returns the hash table itself.

[Function] **hash-table-count** *hash-table*

This returns the number of entries in the *hash-table*. When a hash table is first created or has been cleared, the number of entries is zero.

[Macro] **with-hash-table-iterator** (*mname* *hash-table*) {*form*}\*

X3J13 voted in January 1989 to add the macro **with-hash-table-iterator**.

The name *mname* is bound and defined as if by **macrolet**, with the body *forms* as its lexical scope, to be a “generator macro” such that successive invocations (*mname*) will return entries, one by one, from the hash table that is the value of the expression *hash-table* (which is evaluated exactly once).

At each invocation of the generator macro, there are two possibilities. If there is yet another unprocessed entry in the hash table, then three values are returned: **t**, the key of the hash table entry, and the associated value of the hash table entry. On the other hand, if there are no more unprocessed entries in the hash table, then one value is returned: **nil**.

The implicit interior state of the iteration over the hash table entries has dynamic extent. While the name *mname* has lexical scope, it is an error to invoke the generator macro once the **with-hash-table-iterator** form has been exited.

Invocations of **with-hash-table-iterator** and related macros may be nested, and the generator macro of an outer invocation may be called from within an inner invocation (assuming that its name is visible or otherwise made available).

X3J13 voted in January 1989 to restrict user side effects; see section 7.9.

---

**Rationale:** This facility is a bit more flexible than **maphash**. It makes possible a portable and efficient implementation of **loop** clauses for iterating over hash tables (see chapter 26).

---

```

(setq turtles (make-hash-table :size 9 :test 'eq))
(setf (gethash 'howard-kaylan turtles) '(musician lead-singer))
(setf (gethash 'john-barbata turtles) '(musician drummer))
(setf (gethash 'leonardo turtles) '(ninja leader blue))
(setf (gethash 'donatello turtles) '(ninja machines purple))
(setf (gethash 'al-nichol turtles) '(musician guitarist))
(setf (gethash 'mark-volman turtles) '(musician great-hair))
(setf (gethash 'raphael turtles) '(ninja cool rude red))
(setf (gethash 'michaelangelo turtles) '(ninja party-dude orange))
(setf (gethash 'jim-pons turtles) '(musician bassist))

(with-hash-table-iterator (get-turtle turtles)
  (labels ((try (got-one &optional key value)
            (when got-one ;Remember, keys may show up in any order
              (when (eq (first value) 'ninja)
                (format t "~%~:(~A~): ~{~A~^, ~}"
                        key (rest value))))
            (multiple-value-call #'try (get-turtle))))))
  (multiple-value-call #'try (get-turtle)))) ;Prints 4 lines
Michaelangelo: PARTY-DUDE, ORANGE
Leonardo: LEADER, BLUE
Raphael: COOL, RUDE, RED
Donatello: MACHINES, PURPLE
⇒ nil

```

*[Function]* **hash-table-rehash-size** *hash-table*

*[Function]* **hash-table-rehash-threshold** *hash-table*

*[Function]* **hash-table-size** *hash-table*

*[Function]* **hash-table-test** *hash-table*

X3J13 voted in March 1989 to add four accessor functions that return values suitable for use in a call to **make-hash-table** in order to produce a new hash table with state corresponding to the current state of the argument hash table.

**hash-table-rehash-size** returns the current rehash size of a hash table.

**hash-table-rehash-threshold** returns the current rehash threshold.

**hash-table-size** returns the current size of a hash table.

**hash-table-test** returns the test used for comparing keys. If the test is one of the standard test functions, then the result will always be a symbol, even if the function itself was specified when the *hash-table* was created. For example:

```
(hash-table-test (make-hash-table :test #'equal)) => equal
```

Implementations that extend **make-hash-table** by providing additional possibilities for the **:test** argument may determine how the value returned by **hash-table-test** is related to such additional tests.

## 16.2 Primitive Hash Function

The function **sxhash** is a convenient tool for the user who needs to create more complicated hashed data structures than are provided by **hash-table** objects.

*[Function]* **sxhash** *object*

**sxhash** computes a hash code for an object and returns the hash code as a non-negative fixnum. A property of **sxhash** is that **(equal x y)** implies **(= (sxhash x) (sxhash y))**.

The manner in which the hash code is computed is implementation-dependent but independent of the particular “incarnation” or “core image.” Hash values produced by **sxhash** may be written out to files, for example, and meaningfully read in again into an instance of the same implementation.



# Chapter 17

## Arrays

An array is an object with components arranged according to a rectilinear coordinate system. In principle, an array in Common Lisp may have any number of dimensions, including zero. (A zero-dimensional array has exactly one element.) In practice, an implementation may limit the number of dimensions supported, but every Common Lisp implementation must support arrays of up to seven dimensions. Each dimension is a non-negative integer; if any dimension of an array is zero, the array has no elements.

An array may be a *general array*, meaning each element may be any Lisp object, or it may be a *specialized array*, meaning that each element must be of a given restricted type.

### 17.1 Array Creation

Do not be daunted by the many options of the function **make-array**. All that is required to construct an array is a list of the dimensions; most of the options are for relatively esoteric applications.

*[Function]* **make-array** *dimensions* &key *:element-type* *:initial-element*  
*:initial-contents* *:adjustable* *:fill-pointer* *:displaced-to* *:displaced-index-offset*

This is the primitive function for making arrays. The *dimensions* argument should be a list of non-negative integers that are to be the dimensions of the array; the length of the list will be the dimensionality of the array. Each dimension must be smaller than **array-dimension-limit**, and the product of all the dimensions must be smaller than **array-total-size-limit**. Note

that if *dimensions* is **nil**, then a zero-dimensional array is created. For convenience when making a one-dimensional array, the single dimension may be provided as an integer rather than as a list of one integer.

An implementation of Common Lisp may impose a limit on the rank of an array, but this limit may not be smaller than 7. Therefore, any Common Lisp program may assume the use of arrays of rank 7 or less. The implementation-dependent limit on array rank is reflected in **array-rank-limit**.

The keyword arguments for **make-array** are as follows:

**:element-type** This argument should be the name of the type of the elements of the array; an array is constructed of the most specialized type that can nevertheless accommodate elements of the given type. The type **t** specifies a general array, one whose elements may be any Lisp object; this is the default type.

X3J13 voted in January 1989 to change **typep** and **subtypep** so that the specialized **array** type specifier means the same thing for discrimination purposes as for declaration purposes: it encompasses those arrays that can result by specifying *element-type* as the element type to the function **make-array**. Therefore we may say that if *type* is the **:element-type** argument, then the result will be an array of type (**array type**); put another way, for any type *A*,

```
(typep (make-array ... :element-type 'A ...)
      '(array A))
```

is always true. See **upgraded-array-element-type**.

**:initial-element** This argument may be used to initialize each element of the array. The value must be of the type specified by the **:element-type** argument. If the **:initial-element** option is omitted, the initial values of the array elements are undefined (unless the **:initial-contents** or **:displaced-to** option is used). The **:initial-element** option may not be used with the **:initial-contents** or **:displaced-to** option.

**:initial-contents** This argument may be used to initialize the contents of the array. The value is a nested structure of sequences. If the array is zero-dimensional, then the value specifies the single element. Otherwise, the value must be a sequence whose length is equal to the first



dimension; each element must be a nested structure for an array whose dimensions are the remaining dimensions, and so on. For example:

```
(make-array '(4 2 3)
            :initial-contents
            '(((a b c) (1 2 3))
              ((d e f) (3 1 2))
              ((g h i) (2 3 1))
              ((j k l) (0 0 0))))
```

The numbers of levels in the structure must equal the rank of the array. Each leaf of the nested structure must be of the type specified by the **:type** option. If the **:initial-contents** option is omitted, the initial values of the array elements are undefined (unless the **:initial-element** or **:displaced-to** option is used). The **:initial-contents** option may not be used with the **:initial-element** or **:displaced-to** option.

**:adjustable** This argument, if specified and not **nil**, indicates that it must be possible to alter the array's size dynamically after it is created. This argument defaults to **nil**.

X3J13 voted in June 1989 to clarify that if this argument is non-**nil** then the predicate **adjustable-array-p** will necessarily be true when applied to the resulting array; but if this argument is **nil** (or omitted) then the resulting array may or may not be adjustable, depending on the implementation, and therefore **adjustable-array-p** may be correspondingly true or false of the resulting array. Common Lisp provides no portable way to create a non-adjustable array, that is, an array for which **adjustable-array-p** is guaranteed to be false.

**:fill-pointer** This argument specifies that the array should have a fill pointer. If this option is specified and not **nil**, the array must be one-dimensional. The value is used to initialize the fill pointer for the array. If the value **t** is specified, the length of the array is used; otherwise the value must be an integer between 0 (inclusive) and the length of the array (inclusive). This argument defaults to **nil**.

**:displaced-to** This argument, if specified and not **nil**, specifies that the array will be a *displaced* array. The argument must then be an array;

**make-array** will create an *indirect* or *shared* array that shares its contents with the specified array. In this case the **:displaced-index-offset** option may be useful. It is an error if the array given as the **:displaced-to** argument does not have the same **:element-type** as the array being created. The **:displaced-to** option may not be used with the **:initial-element** or **:initial-contents** option. This argument defaults to **nil**.

**:displaced-index-offset** This argument may be used only in conjunction with the **:displaced-to** option. It must be a non-negative integer (it defaults to zero); it is made to be the index-offset of the created shared array.

When an array A is given as the **:displaced-to** argument to **make-array** when creating array B, then array B is said to be *displaced* to array A. Now the total number of elements in an array, called the *total size* of the array, is calculated as the product of all the dimensions (see **array-total-size**). It is required that the total size of A be no smaller than the sum of the total size of B plus the offset  $n$  specified by the **:displaced-index-offset** argument. The effect of displacing is that array B does not have any elements of its own but instead maps accesses to itself into accesses to array A. The mapping treats both arrays as if they were one-dimensional by taking the elements in row-major order, and then maps an access to element  $k$  of array B to an access to element  $k+n$  of array A.

If **make-array** is called with each of the **:adjustable**, **:fill-pointer**, and **:displaced-to** arguments either unspecified or **nil**, then the resulting array is guaranteed to be a *simple* array (see section 2.5).

X3J13 voted in June 1989 to clarify that if one or more of the **:adjustable**, **:fill-pointer**, and **:displaced-to** arguments is true, then whether the resulting array is simple is unspecified.

Here are some examples of the use of **make-array**:

```
;;; Create a one-dimensional array of five elements.
(make-array 5)
```

```
;;; Create a two-dimensional array, 3 by 4, with four-bit elements.
(make-array '(3 4) :element-type '(mod 16))
```

```

;;; Create an array of single-floats.
(make-array 5 :element-type 'single-float))

;;; Making a shared array.
(setq a (make-array '(4 3)))
(setq b (make-array 8 :displaced-to a
                    :displaced-index-offset 2))

;;; Now it is the case that:
(aref b 0) ≡ (aref a 0 2)
(aref b 1) ≡ (aref a 1 0)
(aref b 2) ≡ (aref a 1 1)
(aref b 3) ≡ (aref a 1 2)
(aref b 4) ≡ (aref a 2 0)
(aref b 5) ≡ (aref a 2 1)
(aref b 6) ≡ (aref a 2 2)
(aref b 7) ≡ (aref a 3 0)

```

The last example depends on the fact that arrays are, in effect, stored in row-major order for purposes of sharing. Put another way, the indices for the elements of an array are ordered lexicographically.

*[Constant]* **array-rank-limit**

The value of **array-rank-limit** is a positive integer that is the upper exclusive bound on the rank of an array. This bound depends on the implementation but will not be smaller than 8; therefore every Common Lisp implementation supports arrays whose rank is between 0 and 7 (inclusive). (Implementors are encouraged to make this limit as large as practicable without sacrificing performance.)

*[Constant]* **array-dimension-limit**

The value of **array-dimension-limit** is a positive integer that is the upper exclusive bound on each individual dimension of an array. This bound depends on the implementation but will not be smaller than 1024. (Implementors are encouraged to make this limit as large as practicable without sacrificing performance.)

X3J13 voted in January 1989 to specify that the value of **array-dimension-limit** must be of type **fixnum**. This in turn implies that all valid array indices will be fixnums.

*[Constant]* **array-total-size-limit**

The value of **array-total-size-limit** is a positive integer that is the upper exclusive bound on the total number of elements in an array. This bound depends on the implementation but will not be smaller than 1024. (Implementors are encouraged to make this limit as large as practicable without sacrificing performance.)

The actual limit on array size imposed by the implementation may vary according to the **:element-type** of the array; in this case the value of **array-total-size-limit** will be the smallest of these individual limits.

*[Function]* **vector** &rest *objects*

The function **vector** is a convenient means for creating a simple general vector with specified initial contents. It is analogous to the function **list**.

```
(vector a1 a2 ... an)
≡ (make-array (list n) :element-type t
      :initial-contents (list a1 a2 ... an))
```

## 17.2 Array Access

The function **aref** is normally used for accessing an element of an array. Other access functions, such as **svref**, **char**, and **bit**, may be more efficient in specialized circumstances.

*[Function]* **aref** *array* &rest *subscripts*

This accesses and returns the element of *array* specified by the *subscripts*. The number of subscripts must equal the rank of the array, and each subscript must be a non-negative integer less than the corresponding array dimension.

**aref** is unusual among the functions that operate on arrays in that it completely ignores fill pointers. **aref** can access without error any array element, whether active or not. The generic sequence function **elt**, however,

observes the fill pointer; accessing an element beyond the fill pointer with **elt** is an error.

Note that this remark, predating the design of the Common Lisp Object System, uses the term “generic” in a generic sense and not necessarily in the technical sense used by CLOS (see chapter 2).

**setf** may be used with **aref** to destructively replace an array element with a new value.

Under some circumstances it is desirable to write code that will extract an element from an array **a** given a list **z** of the indices, in such a way that the code works regardless of the rank of the array. This is easy using **apply**:

```
(apply #'aref a z)
```

(The length of the list must of course equal the rank of the array.) This construction may be used with **setf** to alter the element so selected to some new value **w**:

```
(setf (apply #'aref a z) w)
```

[Function] **svref** *simple-vector index*

The first argument must be a simple general vector, that is, an object of type **simple-vector**. The element of the *simple-vector* specified by the integer *index* is returned.

The *index* must be non-negative and less than the length of the vector.

**setf** may be used with **svref** to destructively replace a simple-vector element with a new value.

**svref** is identical to **aref** except that it requires its first argument to be a simple vector. In some implementations of Common Lisp, **svref** may be faster than **aref** in situations where it is applicable. See also **schar** and **sbit**.

## 17.3 Array Information

The following functions extract from an array interesting information other than the elements.

[Function] **array-element-type** *array*

**array-element-type** returns a type specifier for the set of objects that can be stored in the *array*. This set may be larger than the set requested when the array was created; for example, the result of

```
(array-element-type (make-array 5 :element-type '(mod 5)))
```

could be **(mod 5)**, **(mod 8)**, **fixnum**, **t**, or any other type of which **(mod 5)** is a subtype. See **subtypep**.

[Function] **array-rank** *array*

This returns the number of dimensions (axes) of *array*. This will be a non-negative integer. See **array-rank-limit**.

[Function] **array-dimension** *array axis-number*

The length of dimension number *axis-number* of the *array* is returned. *array* may be any kind of array, and *axis-number* should be a non-negative integer less than the rank of *array*. If the *array* is a vector with a fill pointer, **array-dimension** returns the total size of the vector, including inactive elements, not the size indicated by the fill pointer. (The function **length** will return the size indicated by the fill pointer.)

[Function] **array-dimensions** *array*

**array-dimensions** returns a list whose elements are the dimensions of *array*.

[Function] **array-total-size** *array*

**array-total-size** returns the total number of elements in the *array*, calculated as the product of all the dimensions.

```
(array-total-size x)
≡ (apply #'* (array-dimensions x))
≡ (reduce #'* (array-dimensions x))
```

Note that the total size of a zero-dimensional array is **1**. The total size of a one-dimensional array is calculated without regard for any fill pointer.

*[Function]* **array-in-bounds-p** *array &rest subscripts*

This predicate checks whether the *subscripts* are all legal subscripts for *array*. The predicate is true if they are all legal; otherwise it is false. The *subscripts* must be integers. The number of *subscripts* supplied must equal the rank of the array. Like **aref**, **array-in-bounds-p** ignores fill pointers.

*[Function]* **array-row-major-index** *array &rest subscripts*

This function takes an array and valid subscripts for the array and returns a single non-negative integer less than the total size of the array that identifies the accessed element in the row-major ordering of the elements. The number of *subscripts* supplied must equal the rank of the array. Each subscript must be a non-negative integer less than the corresponding array dimension. Like **aref**, **array-row-major-index** ignores fill pointers.

A possible definition of **array-row-major-index**, with no error checking, would be

```
(defun array-row-major-index (a &rest subscripts)
  (apply #' + (maplist #'(lambda (x y)
                          (* (car x) (apply #' * (cdr y))))
        subscripts
        (array-dimensions a))))
```

For a one-dimensional array, the result of **array-row-major-index** always equals the supplied subscript.

*[Function]* **row-major-aref** *array index*

This allows any array element to be accessed as if the containing array were one-dimensional. The *index* must be a non-negative integer less than the total size of the *array*. It indexes into the array as if its elements were arranged one-dimensionally in row-major order. It may be understood in terms of **aref** as follows:

```
(row-major-aref array index) ≡
  (aref (make-array (array-total-size array))
        :displaced-to array
        :element-type (array-element-type array))
  index)
```

In other words, one may treat an array as one-dimensional by creating a new one-dimensional array that is displaced to the old one and then accessing the new array. Alternatively, **aref** may be understood in terms of **row-major-aref**:

```
(aref array i0 i1 ... in-1) ≡
  (row-major-aref array
    (array-row-major-index array i0 i1 ... in-1))
```

That is, a multidimensional array access is equivalent to a row-major access using an equivalent row-major index.

Like **aref**, **row-major-aref** completely ignores fill pointers. A call to **row-major-setf** is suitable for use as a *place* for **setf**.

This operation makes it easier to write code that efficiently processes arrays of any rank. Suppose, for example, that one wishes to set every element of an array **tennis-scores** to zero. One might write

```
(fill (make-array (array-total-size tennis-scores)
                  :element-type (array-element-type tennis-scores)
                  :displaced-to tennis-scores)
      0)
```

Unfortunately, this incurs the overhead of creating a displaced array, and **fill** cannot be applied to multidimensional arrays. Another approach would be to handle each possible rank separately:

```
(ecase (array-rank tennis-scores)
  (0 (setf (aref tennis-scores) 0))
  (1 (dotimes (i0 (array-dimension tennis-scores 0))
        (setf (aref tennis-scores i0) 0)))
  (2 (dotimes (i0 (array-dimension tennis-scores 0))
        (dotimes (i1 (array-dimension tennis-scores 1))
          (setf (aref tennis-scores i0 i1) 0))))
  ...)
```



```
(7 (dotimes (i0 (array-dimension tennis-scores 0))
  (dotimes (i1 (array-dimension tennis-scores 1))
    (dotimes (i2 (array-dimension tennis-scores 1))
      (dotimes (i3 (array-dimension tennis-scores 1))
        (dotimes (i4 (array-dimension tennis-scores 1))
          (dotimes (i5 (array-dimension tennis-scores 1))
            (dotimes (i6 (array-dimension tennis-scores 1))
              (setf (aref tennis-scores i0 i1 i2 i3 i4 i5 i6)
                    0))))))))))
  )
```

It is easy to get tired of writing such code. Furthermore, this approach is undesirable because some implementations of Common Lisp will in fact correctly support arrays of rank greater than 7 (though no implementation is required to do so). A recursively nested loop does the job, but it is still pretty hairy:

```
(labels
  ((grok-any-rank (&rest indices)
    (let ((d (- (array-rank tennis-scores) (length indices))))
      (if (= d 0)
          (setf (apply #'row-major-aref indices) 0)
          (dotimes (i (array-dimension tennis-scores (- d 1)))
            (apply #'grok-any-rank i indices))))))
  (grok-any-rank))
```

Whether this code is particularly efficient depends on many implementation parameters, such as how **&rest** arguments are handled and how cleverly calls to **apply** are compiled. How much easier it is to use **row-major-aref!**

```
(dotimes (i (array-total-size tennis-scores))
  (setf (row-major-aref tennis-scores i) 0))
```

Surely this code is sweeter than the honeycomb.

*[Function]* **adjustable-array-p** *array*

This predicate is true if the argument (which must be an array) is adjustable, and otherwise is false.

X3J13 voted in June 1989 to clarify that **adjustable-array-p** is true of an array if and only if **adjust-array**, when applied to that array, will return the same array, that is, an array **eq** to the original array. If the **:adjustable** argument to **make-array** is non-**nil** when an array is created, then **adjustable-array-p** must be true of that array. If an array is created with the **:adjustable** argument **nil** (or omitted), then **adjustable-array-p** may be true or false of that array, depending on the implementation. X3J13 further voted to *define* the terminology “adjustable array” to mean precisely “an array of which **adjustable-array-p** is true.” See **make-array** and **adjust-array**.

*[Function]* **array-displacement** *array*

This returns two values. The first value is the array displaced to and the second is the displacement. If *array* is not a displaced array then **array-displacement** returns the values **nil** and **0**.

## 17.4 Functions on Arrays of Bits

The functions described in this section operate only on arrays of bits, that is, specialized arrays whose elements are all **0** or **1**.

*[Function]* **bit** *bit-array* &rest *subscripts*

*[Function]* **sbit** *simple-bit-array* &rest *subscripts*

**bit** is exactly like **aref** but requires an array of bits, that is, one of type **(array bit)**. The result will always be **0** or **1**. **sbit** is like **bit** but additionally requires that the first argument be a *simple* array (see section 2.5). Note that **bit** and **sbit**, unlike **char** and **schar**, allow the first argument to be an array of any rank.

**setf** may be used with **bit** or **sbit** to destructively replace a bit-array element with a new value.

**bit** and **sbit** are identical to **aref** except for the more specific type requirements on the first argument. In some implementations of Common Lisp, **bit** may be faster than **aref** in situations where it is applicable, and **sbit** may similarly be faster than **bit**.

[Function] **bit-and** *bit-array1 bit-array2* &optional *result-bit-array*  
 [Function] **bit-ior** *bit-array1 bit-array2* &optional *result-bit-array*  
 [Function] **bit-xor** *bit-array1 bit-array2* &optional *result-bit-array*  
 [Function] **bit-eqv** *bit-array1 bit-array2* &optional *result-bit-array*  
 [Function] **bit-nand** *bit-array1 bit-array2* &optional *result-bit-array*  
 [Function] **bit-nor** *bit-array1 bit-array2* &optional *result-bit-array*  
 [Function] **bit-andc1** *bit-array1 bit-array2* &optional *result-bit-array*  
 [Function] **bit-andc2** *bit-array1 bit-array2* &optional *result-bit-array*  
 [Function] **bit-orc1** *bit-array1 bit-array2* &optional *result-bit-array*  
 [Function] **bit-orc2** *bit-array1 bit-array2* &optional *result-bit-array*

These functions perform bit-wise logical operations on bit-arrays. All of the arguments to any of these functions must be bit-arrays of the same rank and dimensions. The result is a bit-array of matching rank and dimensions, such that any given bit of the result is produced by operating on corresponding bits from each of the arguments.

If the third argument is **nil** or omitted, a new array is created to contain the result. If the third argument is a bit-array, the result is destructively placed into that array. If the third argument is **t**, then the first argument is also used as the third argument; that is, the result is placed back in the first array.

The following table indicates what the result bit is for each operation as a function of the two corresponding argument bits.

	<i>argument1</i>	0	0	1	1	
	<i>argument2</i>	0	1	0	1	<i>Operation name</i>
bit-and		0	0	0	1	and
bit-ior		0	1	1	1	inclusive or
bit-xor		0	1	1	0	exclusive or
bit-eqv		1	0	0	1	equivalence (exclusive nor)
bit-nand		1	1	1	0	not-and
bit-nor		1	0	0	0	not-or
bit-andc1		0	1	0	0	and complement of <i>argument1</i> with <i>argument2</i>
bit-andc2		0	0	1	0	and <i>argument1</i> with complement of <i>argument2</i>
bit-orc1		1	1	0	1	or complement of <i>argument1</i> with <i>argument2</i>
bit-orc2		1	0	1	1	or <i>argument1</i> with complement of <i>argument2</i>

For example:

(bit-and *#\*1100* *#\*1010*)  $\Rightarrow$  *#\*1000*

```
(bit-xor #*1100 #*1010) ⇒ #*0110
(bit-andc1 #*1100 #*1010) ⇒ #*0100
```

See **logand** and related functions.

*[Function]* **bit-not** *bit-array* &optional *result-bit-array*

The first argument must be an array of bits. A bit-array of matching rank and dimensions is returned that contains a copy of the argument with all the bits inverted. See **lognot**.

If the second argument is **nil** or omitted, a new array is created to contain the result. If the second argument is a bit-array, the result is destructively placed into that array. If the second argument is **t**, then the first argument is also used as the second argument; that is, the result is placed back in the first array.

## 17.5 Fill Pointers

Several functions for manipulating a *fill pointer* are provided in Common Lisp to make it easy to incrementally fill in the contents of a vector and, more generally, to allow efficient varying of the length of a vector. For example, a string with a fill pointer has most of the characteristics of a PL/I varying string.

The fill pointer is a non-negative integer no larger than the total number of elements in the vector (as returned by **array-dimension**); it is the number of “active” or “filled-in” elements in the vector. The fill pointer constitutes the “active length” of the vector; all vector elements whose index is less than the fill pointer are active, and the others are inactive. Nearly all functions that operate on the contents of a vector will operate only on the active elements. An important exception is **aref**, which can be used to access any vector element whether in the active region of the vector or not. It is important to note that vector elements not in the active region are still considered part of the vector.

---

**Implementation note:** An implication of this rule is that vector elements outside the active region may not be garbage-collected.

---

Only vectors (one-dimensional arrays) may have fill pointers; multidimensional arrays may not. (Note, however, that one can create a multidimensional array that is *displaced* to a vector that has a fill pointer.)

[Function] **array-has-fill-pointer-p** *array*

The argument must be an array. **array-has-fill-pointer-p** returns **t** if the array has a fill pointer, and otherwise returns **nil**. Note that **array-has-fill-pointer-p** always returns **nil** if the *array* is not one-dimensional.

[Function] **fill-pointer** *vector*

The fill pointer of *vector* is returned. It is an error if the *vector* does not have a fill pointer.

**setf** may be used with **fill-pointer** to change the fill pointer of a vector. The fill pointer of a vector must always be an integer between zero and the size of the vector (inclusive).

[Function] **vector-push** *new-element vector*

*vector* must be a one-dimensional array that has a fill pointer, and *new-element* may be any object. **vector-push** attempts to store *new-element* in the element of the vector designated by the fill pointer, and to increase the fill pointer by 1. If the fill pointer does not designate an element of the vector (specifically, when it gets too big), it is unaffected and **vector-push** returns **nil**. Otherwise, the store and increment take place and **vector-push** returns the *former* value of the fill pointer (1 less than the one it leaves in the vector); thus the value of **vector-push** is the index of the new element pushed.

It is instructive to compare **vector-push**, which is a function, with **push**, which is a macro that requires a *place* suitable for **setf**. A vector with a fill pointer effectively contains the place to be modified in its **fill-pointer** slot.

[Function] **vector-push-extend** *new-element vector* &optional *extension*

**vector-push-extend** is just like **vector-push** except that if the fill pointer gets too large, the vector is extended (using **adjust-array**) so that it can contain more elements. If, however, the vector is not adjustable, then **vector-push-extend** signals an error.

X3J13 voted in June 1989 to clarify that **vector-push-extend** regards an array as not adjustable if and only if **adjustable-array-p** is false of that array.

The optional argument *extension*, which must be a positive integer, is the minimum number of elements to be added to the vector if it must be extended; it defaults to a “reasonable” implementation-dependent value.

[Function] **vector-pop** *vector*

*vector* must be a one-dimensional array that has a fill pointer. If the fill pointer is zero, **vector-pop** signals an error. Otherwise the fill pointer is decreased by 1, and the vector element designated by the new value of the fill pointer is returned.

## 17.6 Changing the Dimensions of an Array

This function may be used to resize or reshape an array. Its options are similar to those of **make-array**.

[Function] **adjust-array** *array new-dimensions &key :element-type*  
*:initial-element :initial-contents :fill-pointer :displaced-to*  
*:displaced-index-offset*

**adjust-array** takes an array and a number of other arguments as for **make-array**. The number of dimensions specified by *new-dimensions* must equal the rank of *array*.

**adjust-array** returns an array of the same type and rank as *array*, with the specified *new-dimensions*. In effect, the *array* argument itself is modified to conform to the new specifications, but this may be achieved either by modifying the *array* or by creating a new array and modifying the *array* argument to be *displaced* to the new array.

In the simplest case, one specifies only the *new-dimensions* and possibly an **:initial-element** argument. Those elements of *array* that are still in bounds appear in the new array. The elements of the new array that are not in the bounds of *array* are initialized to the **:initial-element**; if this argument is not provided, then the initial contents of any new elements are undefined.

If **:element-type** is specified, then *array* must be such that it could have been originally created with that type; otherwise an error is signaled. Specifying **:element-type** to **adjust-array** serves only to require such an error check.

If **:initial-contents** or **:displaced-to** is specified, then it is treated as for **make-array**. In this case none of the original contents of *array* appears in the new array.

If **:fill-pointer** is specified, the fill pointer of the *array* is reset as specified. An error is signaled if *array* had no fill pointer already.

X3J13 voted in June 1988 to clarify the treatment of the **:fill-pointer** argument as follows.

If the **:fill-pointer** argument is not supplied, then the fill pointer of the *array* is left alone. It is an error to try to adjust the *array* to a total size that is smaller than its fill pointer.

If the **:fill-pointer** argument is supplied, then its value must be either an integer, **t**, or **nil**. If it is an integer, then it is the new value for the fill pointer; it must be non-negative and no greater than the new size to which the *array* is being adjusted. If it is **t**, then the fill pointer is set equal to the new size for the *array*. If it is **nil**, then the fill pointer is left alone; it is as if the argument had not been supplied. Again, it is an error to try to adjust the *array* to a total size that is smaller than its fill pointer.

An error is signaled if a non-**nil** **:fill-pointer** value is supplied and the *array* to be adjusted does not already have a fill pointer.

This extended treatment of the **:fill-pointer** argument to **adjust-array** is consistent with the previously existing treatment of the **:fill-pointer** argument to **make-array**.

**adjust-array** may, depending on the implementation and the arguments, simply alter the given array or create and return a new one. In the latter case the given array will be altered so as to be displaced to the new array and have the given new dimensions.

X3J13 voted in January 1989 to allow **adjust-array** to be applied to any array. If **adjust-array** is applied to an array that was originally created with **:adjustable** true, the array returned is **eq** to its first argument. It is not specified whether **adjust-array** returns an array **eq** to its first argument for any other arrays. If the array returned by **adjust-array** is not **eq** to its first argument, the original array is unchanged and does not share storage with the new array.

Under this new definition, it is wise to treat **adjust-array** in the same

manner as **delete** and **nconc**: one should carefully retain the returned value, for example by writing

```
(setq my-array (adjust-array my-array ...))
```

rather than relying solely on a side effect.

If **adjust-array** is applied to an *array* that is displaced to another array *x*, then afterwards neither *array* nor the returned result is displaced to *x* unless such displacement is explicitly re-specified in the call to **adjust-array**.

For example, suppose that the 4-by-4 array **m** looks like this:

```
#2A( ( alpha  beta  gamma  delta )
      ( epsilon zeta  eta    theta )
      ( iota   kappa lambda mu   )
      ( nu     xi    omicron pi   ) )
```

Then the result of

```
(adjust-array m '(3 5) :initial-element 'baz)
```

is a 3-by-5 array with contents

```
#2A( ( alpha  beta  gamma  delta  baz )
      ( epsilon zeta  eta    theta  baz )
      ( iota   kappa lambda  mu     baz ) )
```

Note that if array **a** is created displaced to array **b** and subsequently array **b** is given to **adjust-array**, array **a** will still be displaced to array **b**; the effects of this displacement and the rule of row-major storage order must be taken into account.

X3J13 voted in June 1988 to clarify the interaction of **adjust-array** with array displacement.

Suppose that an array *A* is to be adjusted. There are four cases according to whether or not *A* was displaced before adjustment and whether or not the result is displaced after adjustment.

- Suppose *A* is not displaced either before or after. The dimensions of *A* are altered, and the contents are rearranged as appropriate. Additional elements of *A* are taken from the **:initial-element** argument. However, the use of the **:initial-contents** argument causes all old contents to be discarded.



- Suppose  $A$  is not displaced before, but is displaced to array  $C$  after. None of the original contents of  $A$  appears in  $A$  afterwards;  $A$  now contains (some of) the contents of  $C$ , without any rearrangement of  $C$ .
- Suppose  $A$  is displaced to array  $B$  before the call, and is displaced to array  $C$  after the call. (Note that  $B$  and  $C$  may be the same array.) The contents of  $B$  do not appear in  $A$  afterwards (unless such contents also happen to be in  $C$ , as when  $B$  and  $C$  are the same, for example). If **:displaced-index-offset** is not specified in the call to **adjust-array**, it defaults to zero; the old offset (into  $B$ ) is not retained.
- Suppose  $A$  is displaced to array  $B$  before the call, but is not displaced afterwards. In this case  $A$  gets a new “data region” and (some of) the contents of  $B$  are copied into it as appropriate to maintain the existing old contents. Additional elements of  $A$  are taken from the **:initial-element** argument. However, the use of the **:initial-contents** argument causes all old contents to be discarded.

If array  $X$  is displaced to array  $Y$ , and array  $Y$  is displaced to array  $Z$ , and array  $Y$  is altered by **adjust-array**, array  $X$  must now refer to the adjusted contents of  $Y$ . This means that an implementation may not collapse the chain to make  $X$  refer to  $Z$  directly and forget that the chain of reference passes through array  $Y$ . (Caching techniques are of course permitted, as long as they preserve the semantics specified here.)

If  $X$  is displaced to  $Y$ , it is an error to adjust  $Y$  in such a way that it no longer has enough elements to satisfy  $X$ . This error may be signaled at the time of the adjustment, but this is not required.

Note that omitting the **:displaced-to** argument to **adjust-array** is equivalent to specifying **:displaced-to nil**; in either case, the array is not displaced after the call regardless of whether it was displaced before the call.



# Chapter 18

## Strings

A string is a specialized vector (one-dimensional array) whose elements are characters.

X3J13 voted in March 1989 to eliminate the type **string-char** and to redefine the type **string** to be the union of one or more specialized vector types, the types of whose elements are subtypes of the type **character**.

Any string-specific function defined in this chapter whose name begins with the prefix **string** will accept a symbol instead of a string as an argument *provided* that the operation never modifies that argument; the print name of the symbol is used. In this respect the string-specific sequence operations are not simply specializations of generic versions; the generic sequence operations described in chapter 14 never accept symbols as sequences. This slight inelegance is permitted in Common Lisp in the name of pragmatic utility. One may get the effect of having a generic sequence function operate on either symbols or strings by applying the coercion function **string** to any argument whose data type is in doubt.

Note that this remark, predating the design of the Common Lisp Object System, uses the term “generic” in a generic sense and not necessarily in the technical sense used by CLOS (see chapter 2).

Also, there is a slight non-parallelism in the names of string functions. Where the suffixes **equalp** and **eql** would be more appropriate, for historical compatibility the suffixes **equal** and **=** are used instead to indicate case-insensitive and case-sensitive character comparison, respectively.

Any Lisp object may be tested for being a string by the predicate **stringp**.

Note that strings, like all vectors, may have fill pointers (though such strings are not necessarily *simple*). String operations generally operate only

on the active portion of the string (below the fill pointer). See **fill-pointer** and related functions.

## 18.1 String Access

The following functions access a single character element of a string.

*[Function]* **char** *string index*  
*[Function]* **schar** *simple-string index*

The given *index* must be a non-negative integer less than the length of *string*, which must be a string. The character at position *index* of the string is returned as a character object.

As with all sequences in Common Lisp, indexing is zero-origin. For example:

```
(char "Floob-Boober-Bab-Boober-Bubs" 0) => #\F
(char "Floob-Boober-Bab-Boober-Bubs" 1) => #\l
```

See **aref** and **elt**. In effect,

```
(char s j) ≡ (aref (the string s) j)
```

**setf** may be used with **char** to destructively replace a character within a string.

For **char**, the string may be any string; for **schar**, it must be a simple string. In some implementations of Common Lisp, the function **schar** may be faster than **char** when it is applicable.

## 18.2 String Comparison

The naming conventions for these functions and for their keyword arguments generally follow the conventions for the generic sequence functions (see chapter 14).

Note that this remark, predating the design of the Common Lisp Object System, uses the term “generic” in a generic sense and not necessarily in the technical sense used by CLOS (see chapter 2).

*[Function]* **string=** *string1 string2 &key :start1 :end1 :start2 :end2*

**string=** compares two strings and is true if they are the same (corresponding characters are identical) but is false if they are not. The function **equal** calls **string=** if applied to two strings.

The keyword arguments **:start1** and **:start2** are the places in the strings to start the comparison. The arguments **:end1** and **:end2** are the places in the strings to stop comparing; comparison stops just *before* the position specified by a limit. The “start” arguments default to zero (beginning of string), and the “end” arguments (if either omitted or **nil**) default to the lengths of the strings (end of string), so that by default the entirety of each string is examined. These arguments are provided so that substrings can be compared efficiently.

**string=** is necessarily false if the (sub)strings being compared are of unequal length; that is, if

```
(not (= (- end1 start1) (- end2 start2)))
```

is true, then **string=** is false.

```
(string= "foo" "foo") is true
(string= "foo" "Foo") is false
(string= "foo" "bar") is false
(string= "together" "frog" :start1 1 :end1 3 :start2 2)
is true
```

X3J13 voted in June 1989 to clarify string coercion (see **string**).

*[Function]* **string-equal** *string1 string2 &key :start1 :end1 :start2 :end2*

**string-equal** is just like **string=** except that differences in case are ignored; two characters are considered to be the same if **char-equal** is true of them. For example:

```
(string-equal "foo" "Foo") is true
```

X3J13 voted in June 1989 to clarify string coercion (see **string**).

*[Function]* **string<** *string1 string2 &key :start1 :end1 :start2 :end2*

*[Function]* **string>** *string1 string2 &key :start1 :end1 :start2 :end2*

```
[Function] string<= string1 string2 &key :start1 :end1 :start2 :end2
[Function] string>= string1 string2 &key :start1 :end1 :start2 :end2
[Function] string/= string1 string2 &key :start1 :end1 :start2 :end2
```

These functions compare the two string arguments lexicographically, and the result is **nil** unless *string1* is respectively less than, greater than, less than or equal to, greater than or equal to, or not equal to *string2*. If the condition is satisfied, however, then the result is the index within the strings of the first character position at which the strings fail to match; put another way, the result is the length of the longest common prefix of the strings.

A string *a* is less than a string *b* if in the first position in which they differ the character of *a* is less than the corresponding character of *b* according to the function **char**<, or if string *a* is a proper prefix of string *b* (of shorter length and matching in all the characters of *a*).

The keyword arguments **:start1** and **:start2** are the places in the strings to start the comparison. The keyword arguments **:end1** and **:end2** are the places in the strings to stop comparing; comparison stops just *before* the position specified by a limit. The “start” arguments default to zero (beginning of string), and the “end” arguments (if either omitted or **nil**) default to the lengths of the strings (end of string), so that by default the entirety of each string is examined. These arguments are provided so that substrings can be compared efficiently. The index returned in case of a mismatch is an index into *string1*.

X3J13 voted in June 1989 to clarify string coercion (see **string**).

```
[Function] string-lessp string1 string2 &key :start1 :end1 :start2 :end2
[Function] string-greaterp string1 string2 &key :start1 :end1
:start2 :end2
[Function] string-not-greaterp string1 string2 &key :start1 :end1
:start2 :end2
[Function] string-not-lessp string1 string2 &key :start1 :end1
:start2 :end2
[Function] string-not-equal string1 string2 &key :start1 :end1
:start2 :end2
```

These are exactly like **string**<, **string**>, **string**<=, **string**>=, and **string**/=, respectively, except that distinctions between uppercase and lowercase letters are ignored. It is as if **char-lessp** were used instead of **char**< for comparing characters.

X3J13 voted in June 1989 to clarify string coercion (see **string**).

## 18.3 String Construction and Manipulation

Most of the interesting operations on strings may be performed with the generic sequence functions described in chapter 14. The following functions perform additional operations that are specific to strings.

Note that this remark, predating the design of the Common Lisp Object System, uses the term “generic” in a generic sense and not necessarily in the technical sense used by CLOS (see chapter 2).

*[Function]* **make-string** *size* &key *:initial-element* *:element-type*

This returns a simple string of length *size*, each of whose characters has been initialized to the **:initial-element** argument. If an **:initial-element** argument is not specified, then the string will be initialized in an implementation-dependent way.

The **:element-type** argument names the type of the elements of the string; a string is constructed of the most specialized type that can accommodate elements of the given type. If **:element-type** is omitted, the type **character** is the default.

X3J13 voted in January 1989 to clarify that the *size* argument must be a non-negative integer less than the value of **array-dimension-limit**.

*[Function]* **string-trim** *character-bag* *string*

*[Function]* **string-left-trim** *character-bag* *string*

*[Function]* **string-right-trim** *character-bag* *string*

**string-trim** returns a substring of *string*, with all characters in *character-bag* stripped off the beginning and end. The function **string-left-trim** is similar but strips characters off only the beginning; **string-right-trim** strips off only the end. The argument *character-bag* may be any sequence containing characters. For example:

```
(string-trim '(#\Space #\Tab #\Newline) " garbanzo beans
            ") => "garbanzo beans"
(string-trim " (*)" " ( *three (silly) words* ) ")
=> "three (silly) words"
```

```
(string-left-trim " (" " ( *three (silly) words* ) ")
⇒ "three (silly) words* ) "
(string-right-trim " (" " ( *three (silly) words* ) ")
⇒ " ( *three (silly) words"
```

If no characters need to be trimmed from the *string*, then either the argument *string* itself or a copy of it may be returned, at the discretion of the implementation.

X3J13 voted in June 1989 to clarify string coercion (see **string**).

[Function] **string-upcase** *string* &key :start :end

[Function] **string-downcase** *string* &key :start :end

[Function] **string-capitalize** *string* &key :start :end

**string-upcase** returns a string just like *string* with all lowercase characters replaced by the corresponding uppercase characters. More precisely, each character of the result string is produced by applying the function **char-upcase** to the corresponding character of *string*.

**string-downcase** is similar, except that uppercase characters are converted to lowercase characters (using **char-downcase**).

The keyword arguments **:start** and **:end** delimit the portion of the string to be affected. The result is always of the same length as *string*, however.

The argument is not destroyed. However, if no characters in the argument require conversion, the result may be either the argument or a copy of it, at the implementation's discretion. For example:

```
(string-upcase "Dr. Livingstone, I presume?")
⇒ "DR. LIVINGSTONE, I PRESUME?"
(string-downcase "Dr. Livingstone, I presume?")
⇒ "dr. livingstone, i presume?"
(string-upcase "Dr. Livingstone, I presume?" :start 6 :end 10)
⇒ "Dr. LiVINGstone, I presume?"
```

**string-capitalize** produces a copy of *string* such that, for every word in the copy, the first character of the word, if case-modifiable, is uppercase and any other case-modifiable characters in the word are lowercase. For the purposes of **string-capitalize**, a word is defined to be a consecutive subsequence consisting of alphanumeric characters or digits, delimited at each end either by a non-alphanumeric character or by an end of the string. For example:



```
(string-capitalize " hello ") => " Hello "
(string-capitalize
  "occlUDeD cASEmenTs FOrEStAlI iNADVertent DEFenestraTION")
=> "Occluded Casements Forestall Inadvertent Defenestration"
(string-capitalize 'kludgy-hash-search) => "Kludgy-Hash-Search"
(string-capitalize "DON'T!") => "Don'T!" ;not "Don't!"
(string-capitalize "pipe 13a, foo16c") => "Pipe 13a, Foo16c"
```

X3J13 voted in June 1989 to clarify string coercion (see **string**).

```
[Function] nstring-upcase string &key :start :end
[Function] nstring-downcase string &key :start :end
[Function] nstring-capitalize string &key :start :end
```

These three functions are just like **string-upcase**, **string-downcase**, and **string-capitalize** but destructively modify the argument *string* by altering case-modifiable characters as necessary.

The keyword arguments **:start** and **:end** delimit the portion of the string to be affected. The argument *string* is returned as the result.

```
[Function] string x
```

Most of the string functions effectively apply **string** to such of their arguments as are supposed to be strings. If *x* is a string, it is returned. If *x* is a symbol, its print name is returned.

In any other situation, an error is signaled.

To convert a sequence of characters to a string, use **coerce**. (Note that (**coerce** *x* 'string) will not succeed if *x* is a symbol. Conversely, **string** will not convert a list or other sequence to be a string.)

To get the string representation of a number or any other Lisp object, use **prin1-to-string**, **princ-to-string**, or **format**.

X3J13 voted in June 1989 to specify that the following functions perform coercion on their *string* arguments identical to that performed by the function **string**.

string=	string-equal	string-trim
string<	string-lessp	string-left-trim
string>	string-greaterp	string-right-trim
string<=	string-not-greaterp	string-upcase
string>=	string-not-lessp	string-downcase
string/=	string-not-equal	string-capitalize

Note that **nstring-upcase**, **nstring-downcase**, and **nstring-capitalize** are absent from this list; because they modify destructively, the argument must be a string.

As part of the same vote X3J13 specified that **string** may perform additional implementation-dependent coercions but the returned value must be of type **string**. Only when no coercion is defined, whether standard or implementation-dependent, is **string** required to signal an error, in which case the error condition must be of type **type-error**.

# Chapter 19

## Structures

Common Lisp provides a facility for creating named record structures with named components. In effect, the user can define a new data type; every data structure of that type has components with specified names. Constructor, access, and assignment constructs are automatically defined when the data type is defined.

This chapter is divided into two parts. The first part discusses the basics of the structure facility, which is very simple and allows the user to take advantage of the type-checking, modularity, and convenience of user-defined record data types. The second part, beginning with section 19.5, discusses a number of specialized features of the facility that have advanced applications. These features are completely optional, and you needn't even know they exist in order to take advantage of the basics.

### 19.1 Introduction to Structures

The structure facility is embodied in the **defstruct** macro, which allows the user to create and use aggregate data types with named elements. These are like “structures” in PL/I, or “records” in Pascal.

As an example, assume you are writing a Lisp program that deals with space ships in a two-dimensional plane. In your program, you need to represent a space ship by a Lisp object of some kind. The interesting things about a space ship, as far as your program is concerned, are its position (represented as  $x$  and  $y$  coordinates), velocity (represented as components along the  $x$  and  $y$  axes), and mass.

A ship might therefore be represented as a record structure with five components:  $x$ -position,  $y$ -position,  $x$ -velocity,  $y$ -velocity, and mass. This structure could in turn be implemented as a Lisp object in a number of ways. It could be a list of five elements; the  $x$ -position could be the *car*, the  $y$ -position the *cadr*, and so on. Equally well it could be a vector of five elements: the  $x$ -position could be element 0, the  $y$ -position element 1, and so on. The problem with either of these representations is that the components occupy places in the object that are quite arbitrary and hard to remember. Someone looking at `(caddr ship1)` or `(aref ship1 3)` in a piece of code might find it difficult to determine that this is accessing the  $y$ -velocity component of `ship1`. Moreover, if the representation of a ship should have to be changed, it would be very difficult to find all the places in the code to be changed to match (not all occurrences of `caddr` are intended to extract the  $y$ -velocity from a ship).

Ideally components of record structures should have names. One would like to write something like `(ship-y-velocity ship1)` instead of `(caddr ship1)`. One would also like a more mnemonic way to create a ship than this:

```
(list 0 0 0 0 0)
```

Indeed, one would like `ship` to be a new data type, just like other Lisp data types, that one could test with `typep`, for example. The `defstruct` facility provides all of this.

`defstruct` itself is a macro that defines a structure. For the space ship example, one might define the structure by saying:

```
(defstruct ship
  x-position
  y-position
  x-velocity
  y-velocity
  mass)
```

This declares that every `ship` is an object with five named components. The evaluation of this form does several things:

- It defines `ship-x-position` to be a function of one argument, a ship, that returns the  $x$ -position of the ship; `ship-y-position` and the other

components are given similar function definitions. These functions are called the *access functions*, as they are used to access elements of the structure.

- The symbol **ship** becomes the name of a data type of which instances of ships are elements. This name becomes acceptable to **typep**, for example; **(typep x 'ship)** is true if **x** is a ship and false if **x** is any object other than a ship.
- A function named **ship-p** of one argument is defined; it is a predicate that is true if its argument is a ship and is false otherwise.
- A function called **make-ship** is defined that, when invoked, will create a data structure with five components, suitable for use with the access functions. Thus executing

```
(setq ship2 (make-ship))
```

sets **ship2** to a newly created **ship** object. One can specify the initial values of any desired component in the call to **make-ship** by using keyword arguments in this way:

```
(setq ship2 (make-ship :mass *default-ship-mass*
                      :x-position 0
                      :y-position 0))
```

This constructs a new ship and initializes three of its components. This function is called the *constructor function* because it constructs a new structure.

- The **#S** syntax can be used to read instances of **ship** structures, and a printer function is provided for printing out ship structures. For example, the value of the variable **ship2** shown above might be printed as

```
#S(ship x-position 0 y-position 0 x-velocity nil
    y-velocity nil mass 170000.0)
```

- A function called **copy-ship** of one argument is defined that, when given a **ship** object, will create a new **ship** object that is a copy of the given one. This function is called the *copier function*.
- One may use **setf** to alter the components of a **ship**:

```
(setf (ship-x-position ship2) 100)
```

This alters the *x*-position of *ship2* to be **100**. This works because **defstruct** behaves as if it generates an appropriate **defsetf** form for each access function.

This simple example illustrates the power of **defstruct** to provide abstract record structures in a convenient manner. **defstruct** has many other features as well for specialized purposes.

## 19.2 How to Use Defstruct

All structures are defined through the **defstruct** construct. A call to **defstruct** defines a new data type whose instances have named slots.

```
[Macro] defstruct name-and-options [doc-string] {slot-description}*
```

This defines a record-structure data type. A general call to **defstruct** looks like the following example.

```
(defstruct (name option-1 option-2 ... option-m)
  doc-string
  slot-description-1
  slot-description-2
  ...
  slot-description-n)
```

The *name* must be a symbol; it becomes the name of a new data type consisting of all instances of the structure. The function **typep** will accept and use this name as appropriate. The *name* is returned as the value of the *defstruct* form.

Usually no options are needed at all. If no options are specified, then one may write simply *name* instead of (*name*) after the word **defstruct**. The syntax of options and the options provided are discussed in section 19.5.

If the optional documentation string *doc-string* is present, then it is attached to the *name* as a documentation string of type **structure**; see **documentation**.

Each *slot-description-j* is of the form

```
(slot-name default-init
  slot-option-name-1 slot-option-value-1
  slot-option-name-2 slot-option-value-2
  ...
  slot-option-name-kj slot-option-value-kj)
```

Each *slot-name* must be a symbol; an access function is defined for each slot. If no options and no *default-init* are specified, then one may write simply *slot-name* instead of (**slot-name**) as the slot description.

*default-init* form is evaluated only if the corresponding argument is not supplied to the constructor function. The *default-init* is a form that is evaluated *each time* its value is to be used as the initial value of the slot.

If no *default-init* is specified, then the initial contents of the slot are undefined and implementation-dependent. The available slot-options are described in section 19.4.

X3J13 voted in January 1989 to specify that it is an error for two slots to have the same name; more precisely, no two slots may have names for whose print names **string=** would be true. Under this interpretation

```
(defstruct lotsa-slots slot slot)
```

obviously is incorrect but the following one is also in error, even assuming that the symbols **coin:slot** and **blot:slot** really are distinct (non-eql) symbols:

```
(defstruct no-dice coin:slot blot:slot)
```

To illustrate another case, the first **defstruct** form below is correct, but the second one is in error.

```
(defstruct one-slot slot)
(defstruct (two-slots (:include one-slot)) slot)
```

---

**Rationale:** Print names are the criterion for slot-names being the same, rather than the symbols themselves, because **defstruct** constructs names of accessor functions from the print names and interns the resulting new names in the current package.

---

X3J13 recommended that expanding a **defstruct** form violating this restriction should signal an error and noted, with an eye to the Common Lisp Object System , that the restriction applies only to the operation of the **defstruct** macro as such and not to the **structure-class** or structures defined with **defclass**.

X3J13 voted in March 1989 to clarify that, while defining forms normally appear at top level, it is meaningful to place them in non-top-level contexts; **defstruct** must treat slot *default-init* forms and any initializa-



tion forms within the specification of a by-position constructor function as occurring within the enclosing lexical environment, not within the global environment.

**defstruct** not only defines an access function for each slot, but also arranges for **setf** to work properly on such access functions, defines a predicate named **name-p**, defines a constructor function named **make-name**, and defines a copier function named **copy-name**. All names of automatically created functions are interned in whatever package is current at the time the **defstruct** form is processed (see **\*package\***). Also, all such functions may be declared **inline** at the discretion of the implementation to improve efficiency; if you do not want some function declared **inline**, follow the **defstruct** form with a **notinline** declaration to override any automatic **inline** declaration.

X3J13 voted in January 1989 to specify that the results of redefining a **defstruct** structure (that is, evaluating more than one **defstruct** structure for the same name) are undefined.

The problem is that if instances have been created under the old definition and then remain accessible after the new definition has been evaluated, the accessors and other functions for the new definition may be incompatible with the old instances. Conversely, functions associated with the old definition may have been declared **inline** and compiled into code that remains accessible after the new definition has been evaluated; such code may be incompatible with the new instances.

In practice this restriction affects the development and debugging process rather than production runs of fully developed code. The **defstruct** feature is intended to provide “the most efficient” structure class. CLOS classes defined by **defclass** allow much more flexible structures to be defined and redefined.

Programming environments are allowed and encouraged to permit **defstruct** redefinition, perhaps with warning messages about possible interactions with other parts of the programming environment or memory state. It is beyond the scope of the Common Lisp language standard to define those interactions except to note that they are not portable.

### 19.3 Using the Automatically Defined Constructor Function

After you have defined a new structure with **defstruct**, you can create instances of this structure by using the constructor function. By default, **defstruct** defines this function automatically. For a structure named **foo**, the constructor function is normally named **make-foo**; you can specify a different name by giving it as the argument to the **:constructor** option, or specify that you don't want a normal constructor function at all by using **nil** as the argument (in which case one or more “by-position” constructors should be requested; see section 19.6).

A call to a constructor function, in general, has the form

```
(name-of-constructor-function
  slot-keyword-1 form-1
  slot-keyword-2 form-2
  ...)
```

All arguments are keyword arguments. Each *slot-keyword* should be a keyword whose name matches the name of a slot of the structure (**defstruct** determines the possible keywords simply by interning each slot-name in the keyword package). All the *keywords* and *forms* are evaluated. In short, it is just as if the constructor function took all its arguments as **&key** parameters. For example, the **ship** structure shown in section 19.1 has a constructor function that takes arguments roughly as if its definition were

```
(defun make-ship (&key x-position y-position
                 x-velocity y-velocity mass)
  ...)
```

If *slot-keyword-j* names a slot, then that element of the created structure will be initialized to the value of *form-j*. If no pair *slot-keyword-j* and *form-j* is present for a given slot, then the slot will be initialized by evaluating the *default-init* form specified for that slot in the call to **defstruct**. (In other words, the initialization specified in the **defstruct** defers to any specified in a call to the constructor function.) If the default initialization form is used, it is evaluated at construction time, but in the lexical environment of the **defstruct** form in which it appeared. If the **defstruct** itself also did not specify any initialization, the element's initial value is undefined. You should

always specify the initialization, either in the **defstruct** or in the call to the constructor function, if you care about the initial value of the slot.

Each initialization form specified for a **defstruct** component, when used by the constructor function for an otherwise unspecified component, is re-evaluated on every call to the constructor function. It is as if the initialization forms were used as *init* forms for the keyword parameters of the constructor function. For example, if the form (**gensym**) were used as an initialization form, either in the constructor-function call or as the default initialization form in the **defstruct** form, then every call to the constructor function would call **gensym** once to generate a new symbol.

X3J13 voted in October 1988 to clarify that the default value in a defstruct slot is not evaluated unless it is needed in the creation of a particular structure instance. If it is never needed, there can be no type-mismatch error, even if the type of the slot is specified, and no warning should be issued.

For example, in the following sequence only the last form is in error.

```
(defstruct person (name .007 :type string))
```

```
(make-person :name "James")
```

```
(make-person) ;Error to give name the value .007
```

## 19.4 Defstruct Slot-Options

Each *slot-description* in a **defstruct** form may specify one or more slot-options. A slot-option consists of a pair of a keyword and a value (which is not a form to be evaluated, but the value itself). For example:

```
(defstruct ship
  (x-position 0.0 :type short-float)
  (y-position 0.0 :type short-float)
  (x-velocity 0.0 :type short-float)
  (y-velocity 0.0 :type short-float)
  (mass *default-ship-mass* :type short-float :read-only t))
```

This specifies that each slot will always contain a short-format floating-point number, and that the last slot may not be altered once a ship is constructed.

The available slot-options are as follows.

**:type** The option **:type** *type* specifies that the contents of the slot will always be of the specified data type. This is entirely analogous to the declaration of a variable or function; indeed, it effectively declares the result type of the access function. An implementation may or may not choose to check the type of the new object when initializing or assigning to a slot. Note that the argument form *type* is not evaluated; it must be a valid type specifier.

**:read-only** The option **:read-only** *x*, where *x* is not **nil**, specifies that this slot may not be altered; it will always contain the value specified at construction time. **setf** will not accept the access function for this slot. If *x* is **nil**, this slot-option has no effect. Note that the argument form *x* is not evaluated.

Note that it is impossible to specify a slot-option unless a default value is specified first.

## 19.5 Defstruct Options

The preceding description of **defstruct** is all that the average user will need (or want) to know in order to use structures. The remainder of this chapter discusses more complex features of the **defstruct** facility.

This section explains each of the options that can be given to **defstruct**. A **defstruct** option may be either a keyword or a list of a keyword and arguments for that keyword. (Note that the syntax for **defstruct** options differs from the pair syntax used for slot-options. No part of any of these options is evaluated.)

**:conc-name** This provides for automatic prefixing of names of access functions. It is conventional to begin the names of all the access functions of a structure with a specific prefix, the name of the structure followed by a hyphen. This is the default behavior.

The argument to the **:conc-name** option specifies an alternative prefix to be used. (If a hyphen is to be used as a separator, it must be specified as part of the prefix.) If **nil** is specified as an argument, then *no* prefix is used; then the names of the access functions are the same as the slot-names, and it is up to the user to name the slots reasonably.

Note that no matter what is specified for **:conc-name**, with a constructor function one uses slot keywords that match the slot-names, with no prefix attached. On the other hand, one uses the access-function name when using **setf**. Here is an example:

```
(defstruct door knob-color width material)
(setq my-door
  (make-door :knob-color 'red :width 5.0))
(door-width my-door) ⇒ 5.0
(setf (door-width my-door) 43.7)
(door-width my-door) ⇒ 43.7
(door-knob-color my-door) ⇒ red
```

**:constructor** This option takes one argument, a symbol, which specifies the name of the constructor function. If the argument is not provided or if the option itself is not provided, the name of the constructor is produced by concatenating the string **"MAKE-"** and the name of the structure, putting the name in whatever package is current at the time the **defstruct** form is processed (see **\*package\***). If the argument is provided and is **nil**, no constructor function is defined.

This option actually has a more general syntax that is explained in section 19.6.

**:copier** This option takes one argument, a symbol, which specifies the name of the copier function. If the argument is not provided or if the option itself is not provided, the name of the copier is produced by concatenating the string **"COPY-"** and the name of the structure, putting the name in whatever package is current at the time the **defstruct** form is processed (see **\*package\***). If the argument is provided and is **nil**, no copier function is defined.

The automatically defined copier function simply makes a new structure and transfers all components verbatim from the argument into the newly created structure. No attempt is made to make copies of the components. Corresponding components of the old and new structures will therefore be **eql**.

**:predicate** This option takes one argument, which specifies the name of the type predicate. If the argument is not provided or if the option itself is

not provided, the name of the predicate is made by concatenating the name of the structure to the string "**-P**", putting the name in whatever package is current at the time the **defstruct** form is processed (see **\*package\***). If the argument is provided and is **nil**, no predicate is defined. A predicate can be defined only if the structure is “named”; if the **:type** option is specified and the **:named** option is not specified, then the **:predicate** option must either be unspecified or have the value **nil**.

**:include** This option is used for building a new structure definition as an extension of an old structure definition. As an example, suppose you have a structure called **person** that looks like this:

```
(defstruct person name age sex)
```

Now suppose you want to make a new structure to represent an astronaut. Since astronauts are people too, you would like them also to have the attributes of name, age, and sex, and you would like Lisp functions that operate on **person** structures to operate just as well on **astronaut** structures. You can do this by defining **astronaut** with the **:include** option, as follows:

```
(defstruct (astronaut (:include person)
                    (:conc-name astro-))
  helmet-size
  (favorite-beverage 'tang))
```

The **:include** option causes the structure being defined to have the same slots as the included structure. This is done in such a way that the access functions for the included structure will also work on the structure being defined. In this example, an **astronaut** will therefore have five slots: the three defined in **person** and the two defined in **astronaut** itself. The access functions defined by the **person** structure can be applied to instances of the **astronaut** structure, and they will work correctly. Moreover, **astronaut** will have its own access functions for components defined by the **person** structure. The following examples illustrate how you can use **astronaut** structures:

```
(setq x (make-astronaut :name 'buzz
                        :age 45
                        :sex t
                        :helmet-size 17.5))
```

```
(person-name x) ⇒ buzz
(astro-name x) ⇒ buzz
```

```
(astro-favorite-beverage x) ⇒ tang
```

The difference between the access functions **person-name** and **astro-name** is that **person-name** may be correctly applied to any **person**, including an **astronaut**, while **astro-name** may be correctly applied only to an **astronaut**. (An implementation may or may not check for incorrect use of access functions.)

At most one **:include** option may be specified in a single **defstruct** form. The argument to the **:include** option is required and must be the name of some previously defined structure. If the structure being defined has no **:type** option, then the included structure must also have had no **:type** option specified for it. If the structure being defined has a **:type** option, then the included structure must have been declared with a **:type** option specifying the same representation type.

If no **:type** option is involved, then the structure name of the including structure definition becomes the name of a data type, of course, and therefore a valid type specifier recognizable by **typep**; moreover, it becomes a subtype of the included structure. In the above example, **astronaut** is a subtype of **person**; hence

```
(typep (make-astronaut) 'person)
```

is true, indicating that all operations on persons will also work on astronauts.

The following is an advanced feature of the **:include** option. Sometimes, when one structure includes another, the default values or slot-options for the slots that came from the included structure are not what you want. The new structure can specify default values or slot-options for the included slots different from those the included structure specifies, by giving the **:include** option as

```
(:include name slot-description-1 slot-description-2 ...)
```

Each *slot-description-j* must have a *slot-name* or *slot-keyword* that is the same as that of some slot in the included structure. If *slot-description-j* has no *default-init*, then in the new structure the slot will have no initial value. Otherwise its initial value form will be replaced by the *default-init* in *slot-description-j*. A normally writable slot may be made read-only. If a slot is read-only in the included structure, then it must also be so in the including structure. If a type is specified for a slot, it must be the same as, or a subtype of, the type specified in the included structure. If it is a strict subtype, the implementation may or may not choose to error-check assignments.

For example, if we had wanted to define **astronaut** so that the default age for an astronaut is **45**, then we could have said:

```
(defstruct (astronaut (:include person (age 45)))
  helmet-size
  (favorite-beverage 'tang))
```

X3J13 voted in June 1988 to require any structure type created by **defstruct** (or **defclass**) to be disjoint from any of the types **cons**, **symbol**, **array**, **number**, **character**, **hash-table**, **readtable**, **package**, **pathname**, **stream**, and **random-state**. A consequence of this requirement is that it is an error to specify any of these types, or any of their subtypes, to the **defstruct :include** option. (The first edition said nothing explicitly about this. Inasmuch as using such a type with the **:include** option was not defined to work, one might argue that such use was an error in Common Lisp as defined by the first edition.)

**:print-function** This option may be used only if the **:type** option is not specified. The argument to the **:print-function** option should be a function of three arguments, in a form acceptable to the **function** special operator, to be used to print structures of this type. When a structure of this type is to be printed, the function is called on three arguments: the structure to be printed, a stream to print to, and an integer indicating the current depth (to be compared against **\*print-level\***). The printing function should observe the values of such printer-control variables as **\*print-escape\*** and **\*print-pretty\***.



If the **:print-function** option is not specified and the **:type** option also not specified, then a default printing function is provided for the structure that will print out all its slots using **#S** syntax (see section 22.1.4).

X3J13 voted in January 1989 to specify that user-defined printing functions for the **defstruct :print-function** option may print objects to the supplied stream using **write**, **print1**, **princ**, **format**, or **print-object** and expect circularities to be detected and printed using **#n#** syntax (when **\*print-circle\*** is non-**nil**, of course). See **\*print-circle\***.

X3J13 voted in January 1989 to clarify that if the **:print-function** option is not specified but the **:include** option *is* specified, then the print function is inherited from the included structure type. Thus, for example, an **astronaut** will be printed by the same printing function that is used for **person**.

X3J13 in the same vote extended the **print-function** option as follows: If the **print-function** option is specified but with no argument, then the standard default printing function (that uses **#S** syntax) will be used. This provides a means of overriding the inheritance rule. For example, if **person** and **astronaut** had been defined as

```
(defstruct (person
  (:print-function ;Special print function
  (lambda (p s k)
    (format s "<~A, age ~D>"
      (person-name p)
      (person-age p))))))
  name age sex)

(defstruct (astronaut
  (:include person)
  (:conc-name astro-)
  (:print-function) ;Use default print function
  helmet-size
  (favorite-beverage 'tang))
```

then an ordinary person would be printed as “<**Joe Schmo**e, age **27**>” but an astronaut would be printed as, for example,

```
#S(ASTRONAUT NAME BUZZ AGE 45 SEX T
  HELMET-SIZE 17.5 FAVORITE-BEVERAGE TANG)
```

using the default **#S** syntax (yuk).

These changes make the behavior of **defstruct** with respect to the **:include** option a bit more like the behavior of classes in CLOS.

**:type** The **:type** option explicitly specifies the representation to be used for the structure. It takes one argument, which must be one of the types enumerated below.

Specifying this option has the effect of forcing a specific representation and of forcing the components to be stored in the order specified in the **defstruct** form in corresponding successive elements of the specified representation. It also *prevents* the structure name from becoming a valid type specifier recognizable by **typep** (see section 19.7).

Normally this option is not specified, in which case the structure is represented in an implementation-dependent manner.

**vector** This produces the same result as specifying (**vector t**). The structure is represented as a general vector, storing components as vector elements. The first component is vector element 1 if the structure is **:named**, and element 0 otherwise.

(**vector element-type**) The structure is represented as a (possibly specialized) vector, storing components as vector elements. Every component must be of a type that can be stored in a vector of the type specified. The first component is vector element 1 if the structure is **:named**, and element 0 otherwise. The structure may be **:named** only if the type **symbol** is a subtype of the specified **element-type**.

**list** The structure is represented as a list. The first component is the *cadr* if the structure is **:named**, and the *car* if it is **:unnamed**.

**:named** The **:named** option specifies that the structure is “named”; this option takes no argument. If no **:type** option is specified, then the

structure is always named; so this option is useful only in conjunction with the **:type** option. See section 19.7 for a further description of this option.

**:initial-offset** This allows you to tell **defstruct** to skip over a certain number of slots before it starts allocating the slots described in the body. This option requires an argument, a non-negative integer, which is the number of slots you want **defstruct** to skip. The **:initial-offset** option may be used only if the **:type** option is also specified. See section 19.7.3 for a further description of this option.

## 19.6 By-Position Constructor Functions

If the **:constructor** option is given as (**:constructor** *name arglist*), then instead of making a keyword-driven constructor function, **defstruct** defines a “positional” constructor function, taking arguments whose meaning is determined by the argument’s position rather than by a keyword. The *arglist* is used to describe what the arguments to the constructor will be. In the simplest case something like (**:constructor** **make-foo** (**a b c**)) defines **make-foo** to be a three-argument constructor function whose arguments are used to initialize the slots named **a**, **b**, and **c**.

In addition, the keywords **&optional**, **&rest**, and **&aux** are recognized in the argument list. They work in the way you might expect, but there are a few fine points worthy of explanation. Consider this example:

```
(:constructor create-foo
  (a &optional b (c 'sea) &rest d &aux e (f 'eff)))
```

This defines **create-foo** to be a constructor of one or more arguments. The first argument is used to initialize the **a** slot. The second argument is used to initialize the **b** slot. If there isn’t any second argument, then the default value given in the body of the **defstruct** (if given) is used instead. The third argument is used to initialize the **c** slot. If there isn’t any third argument, then the symbol **sea** is used instead. Any arguments following the third argument are collected into a list and used to initialize the **d** slot. If there are three or fewer arguments, then **nil** is placed in the **d** slot. The **e** slot *is not initialized*; its initial value is undefined. Finally, the **f** slot is initialized to contain the symbol **eff**.

The actions taken in the **b** and **e** cases were carefully chosen to allow the user to specify all possible behaviors. Note that the **&aux** “variables” can be used to completely override the default initializations given in the body.

With this definition, one can write

```
(create-foo 1 2)
```

instead of

```
(make-foo :a 1 :b 2)
```

and of course **create-foo** provides defaulting different from that of **make-foo**.

It is permissible to use the **:constructor** option more than once, so that you can define several different constructor functions, each taking different parameters.

Because a constructor of this type operates By Order of Arguments, it is sometimes known as a BOA constructor.

X3J13 voted in January 1989 to allow **&key** and **&allow-other-keys** in the parameter list of a “positional” constructor. The initialization of slots corresponding to keyword parameters is performed in the same manner as for **&optional** parameters. A variant of the example shown above illustrates this:

```
(:constructor create-foo
  (a &optional b (c 'sea)
    &key p (q 'cue) ((:why y)) ((:you u) 'ewe)
    &aux e (f 'eff)))
```

The treatment of slots **a**, **b**, **c**, **e**, and **f** is the same as in the original example. In addition, if there is a **:p** keyword argument, it is used to initialize the **p** slot; if there isn’t any **:p** keyword argument, then the default value given in the body of the **defstruct** (if given) is used instead. Similarly, if there is a **:q** keyword argument, it is used to initialize the **q** slot; if there isn’t any **:q** keyword argument, then the symbol **cue** is used instead.

In order thoroughly to flog this presumably already dead horse, we further observe that if there is a **:why** keyword argument, it is used to initialize the **y** slot; otherwise the default value for slot **y** is used instead. Similarly, if there is a **:you** keyword argument, it is used to initialize the **u** slot; otherwise the symbol **ewe** is used instead.

If memory serves me correctly, **defstruct** was included in the original design for Common Lisp some time before keyword arguments were approved. The failure of positional constructors to accept keyword arguments may well have been an oversight on my part; there is no logical reason to exclude them. I am grateful to X3J13 for rectifying this.

A remaining difficulty is that the possibility of keyword arguments renders the term “positional constructor” a misnomer. Worse yet, it ruins the term “BOA constructor.” I suggest that they continue to be called BOA constructors, as I refuse to abandon a good pun. (I regret appearing to have more compassion for puns than for horses.)

As part of the same vote X3J13 also changed **defstruct** to allow BOA constructors to have parameters (including supplied-p parameters) that do not correspond to any slot. Such parameters may be used in subsequent initialization forms in the parameter list. Consider this example:

```
(defstruct (ice-cream-factory
  (:constructor fabricate-factory
    (&key (capacity 5)
           location
           (local-flavors
            (case location
              ((hawaii) '(pineapple macadamia guava))
              ((massachusetts) '(lobster baked-bean))
              ((california) '(ginger lotus avocado
                             bean-sprout garlic))
              ((texas) '(jalapeno barbecue))))
           (flavors (subseq (append local-flavors
                                   '(vanilla
                                    chocolate
                                    strawberry
                                    pistachio
                                    maple-walnut
                                    peppermint))
                            0 capacity))))))
  (capacity 3)
  (flavors '(vanilla chocolate strawberry mango)))
```

The structure type **ice-cream-factory** has two constructors. The standard constructor, **make-ice-cream-factory**, takes two keyword arguments

named **:capacity** and **:flavors**. For this constructor, the default for the **capacity** slot is **3** and the default list of **flavors** is America's favorite threesome and a dark horse (not a dead one). The BOA constructor **fabricate-factory** accepts four different keyword arguments. The **:capacity** argument defaults to **5**, and the **:flavors** argument defaults in a complicated manner based on the other three. The **:local-flavors** argument may be specified directly, or may be allowed to default based on the **:location** of the factory. Here are examples of various factories:

```
(setq houston (fabricate-factory :capacity 4 :location 'texas))
(setq cambridge (fabricate-factory :location 'massachusetts))
(setq seattle (fabricate-factory :local-flavors '(salmon)))
(setq wheaton (fabricate-factory :capacity 4 :location 'illinois))
(setq pittsburgh (fabricate-factory :capacity 4))
(setq cleveland (make-factory :capacity 4))

(ice-cream-factory-flavors houston)
⇒ (jalapeno barbecue vanilla chocolate)
```

```
(ice-cream-factory-flavors cambridge)
⇒ (lobster baked-bean vanilla chocolate strawberry)
```

```
(ice-cream-factory-flavors seattle)
⇒ (salmon vanilla chocolate strawberry pistachio)
```

```
(ice-cream-factory-flavors wheaton)
⇒ (vanilla chocolate strawberry pistachio)
```

```
(ice-cream-factory-flavors pittsburgh)
⇒ (vanilla chocolate strawberry pistachio)
```

```
(ice-cream-factory-flavors cleveland)
⇒ (vanilla chocolate strawberry mango)
```

## 19.7 Structures of Explicitly Specified Representational Type

Sometimes it is important to have explicit control over the representation of a structure. The **:type** option allows one to specify that a structure must be implemented in a particular way, using a list or a specific kind of vector, and to specify the exact allocation of structure slots to components of the representation. A structure may also be “unnamed” or “named,” according to whether the structure name is stored in (and thus recoverable from) the structure.

### 19.7.1 Unnamed Structures

Sometimes a particular data representation is imposed by external requirements, and yet it is desirable to document the data format as a **defstruct**-style structure. For example, consider expressions built up from numbers, symbols, and binary operations such as **+** and **\***. An operation might be represented as it is in Lisp, as a list of the operator and the two operands. This fact can be expressed succinctly with **defstruct** in this manner: e

```
(defstruct (binop (:type list))
  (operator '? :type symbol))
```

```
operand-1
operand-2)
```

This will define a constructor function **make-binop** and three selector functions, namely **binop-operator**, **binop-operand-1**, and **binop-operand-2**. (It will *not*, however, define a predicate **binop-p**, for reasons explained below.)

The effect of **make-binop** is simply to construct a list of length 3:

```
(make-binop :operator '+ :operand-1 'x :operand-2 5)
⇒ (+ x 5)
```

```
(make-binop :operand-2 4 :operator '*')
⇒ (* nil 4)
```

It is just like the function **list** except that it takes keyword arguments and performs slot defaulting appropriate to the **binop** conceptual data type. Similarly, the selector functions **binop-operator**, **binop-operand-1**, and **binop-operand-2** are essentially equivalent to **car**, **cadr**, and **caddr**, respectively. (They might not be completely equivalent because, for example, an implementation would be justified in adding error-checking code to ensure that the argument to each selector function is a length-3 list.)

We speak of **binop** as being a “conceptual” data type because **binop** is not made a part of the Common Lisp type system. The predicate **typep** will not recognize **binop** as a type specifier, and **type-of** will return **list** when given a **binop** structure. Indeed, there is no way to distinguish a data structure constructed by **make-binop** from any other list that happens to have the correct structure.

There is not even any way to recover the structure name **binop** from a structure created by **make-binop**. This can be done, however, if the structure is “named.”

## 19.7.2 Named Structures

A “named” structure has the property that, given an instance of the structure, the structure name (that names the type) can be reliably recovered. For structures defined with no **:type** option, the structure name actually becomes part of the Common Lisp data-type system. The function **type-of**, when applied to such a structure, will return the structure name as the type of the



object; the predicate **typep** will recognize the structure name as a valid type specifier.

For structures defined with a **:type** option, **type-of** will return a type specifier such as **list** or **(vector t)**, depending on the type specified to the **:type** option. The structure name does not become a valid type specifier. However, if the **:named** option is also specified, then the first component of the structure (as created by a **defstruct** constructor function) will always contain the structure name. This allows the structure name to be recovered from an instance of the structure and allows a reasonable predicate for the conceptual type to be defined: the automatically defined **name-p** predicate for the structure operates by first checking that its argument is of the proper type (**list**, **(vector t)**, or whatever) and then checking whether the first component contains the appropriate type name.

Consider the **binop** example shown above, modified only to include the **:named** option:

```
(defstruct (binop (:type list) :named)
  (operator '? :type symbol)
  operand-1
  operand-2)
```

As before, this will define a constructor function **make-binop** and three selector functions **binop-operator**, **binop-operand-1**, and **binop-operand-2**. It will also define a predicate **binop-p**.

The effect of **make-binop** is now to construct a list of length 4:

```
(make-binop :operator '+ :operand-1 'x :operand-2 5)
⇒ (binop + x 5)
```

```
(make-binop :operand-2 4 :operator '*)
⇒ (binop * nil 4)
```

The structure has the same layout as before except that the structure name **binop** is included as the first list element. The selector functions **binop-operator**, **binop-operand-1**, and **binop-operand-2** are essentially equivalent to **cadr**, **caddr**, and **caddr**, respectively. The predicate **binop-p** is more or less equivalent to the following definition.

```
(defun binop-p (x)
  (and (consp x) (eq (car x) 'binop)))
```

The name **binop** is still not a valid type specifier recognizable to **typep**, but at least there is a way of distinguishing **binop** structures from other similarly defined structures.

### 19.7.3 Other Aspects of Explicitly Specified Structures

The **:initial-offset** option allows one to specify that slots be allocated beginning at a representational element other than the first. For example, the form

```
(defstruct (binop (:type list) (:initial-offset 2))
  (operator '? :type symbol)
  operand-1
  operand-2)
```

would result in the following behavior for **make-binop**:

```
(make-binop :operator '+ :operand-1 'x :operand-2 5)
⇒ (nil nil + x 5)

(make-binop :operand-2 4 :operator '*)
⇒ (nil nil * nil 4)
```

The selectors **binop-operator**, **binop-operand-1**, and **binop-operand-2** would be essentially equivalent to **caddr**, **caddr**, and **car** of **cddddr**, respectively. Similarly, the form

```
(defstruct (binop (:type list) :named (:initial-offset 2))
  (operator '? :type symbol)
  operand-1
  operand-2)
```

would result in the following behavior for **make-binop**:

```
(make-binop :operator '+ :operand-1 'x :operand-2 5)
⇒ (nil nil binop + x 5)

(make-binop :operand-2 4 :operator '*)
⇒ (nil nil binop * nil 4)
```

If the **:include** is used with the **:type** option, then the effect is first to skip over as many representation elements as needed to represent the included structure, then to skip over any additional elements specified by the **:initial-offset** option, and then to begin allocation of elements from that point. For example:

```
(defstruct (binop (:type list) :named (:initial-offset 2))
  (operator '? :type symbol)
  operand-1
  operand-2)
```

```
(defstruct (annotated-binop (:type list)
                          (:initial-offset 3)
                          (:include binop))
  commutative associative identity)
```

```
(make-annotated-binop :operator '*
                     :operand-1 'x
                     :operand-2 5
                     :commutative t
                     :associative t
                     :identity 1)
⇒ (nil nil binop * x 5 nil nil nil t t 1)
```

The first two **nil** elements stem from the **:initial-offset** of **2** in the definition of **binop**. The next four elements contain the structure name and three slots for **binop**. The next three **nil** elements stem from the **:initial-offset** of **3** in the definition of **annotated-binop**. The last three list elements contain the additional slots for an **annotated-binop**.



# Chapter 20

## Evaluator

The mechanism that executes Lisp programs is called the evaluator. More precisely, the evaluator accepts a form and performs the computation specified by the form. This mechanism is made available to the user through the function **eval**.

The evaluator is typically implemented as an interpreter that traverses the given form recursively, performing each step of the computation as it goes. An interpretive implementation is not required, however. A permissible alternative approach is for the evaluator first to completely compile the form into machine-executable code and then invoke the resulting code. This technique virtually eliminates incompatibilities between interpreted and compiled code but also renders the **evalhook** mechanism relatively useless. Various mixed strategies are also possible. All of these approaches should produce the same results when executing a correct program but may produce different results for incorrect programs. For example, the approaches may differ as to when macro calls are expanded; macro definitions should not depend on the time at which they are expanded. Implementors should document the evaluation strategy for each implementation.

### 20.1 Run-Time Evaluation of Forms

The function **eval** is the main user interface to the evaluator. Hooks are provided for user-supplied debugging routines to obtain control during the execution of an interpretive evaluator. The functions **evalhook** and **apply-hook** provide alternative interfaces to the evaluator mechanism for use by

these debugging routines.

*[Function]* **eval** *form*

The *form* is evaluated in the current dynamic environment and a null lexical environment. Whatever results from the evaluation is returned from the call to **eval**.

Note that when you write a call to **eval** *two* levels of evaluation occur on the argument form you write. First the argument form is evaluated, as for arguments to any function, by the usual argument evaluation mechanism (which involves an implicit use of **eval**). Then the argument is passed to the **eval** function, where another evaluation occurs. For example:

```
(eval (list 'cdr (car '((quote (a . b)) c)))) ⇒ b
```

The argument form **(list 'cdr (car '((quote (a . b)) c)))** is evaluated in the usual way to produce the argument **(cdr (quote (a . b)))**; this is then given to **eval** because **eval** is being called explicitly, and **eval** evaluates its argument **(cdr (quote (a . b)))** to produce **b**.

If all that is required for some application is to obtain the current dynamic value of a given symbol, the function **symbol-value** may be more efficient than **eval**.

X3J13 voted in January 1989 to restrict user side effects; see section 7.9.

*[Variable]* **\*evalhook\***

*[Variable]* **\*applyhook\***

If the value of **\*evalhook\*** is not **nil**, then **eval** behaves in a special way. The non-**nil** value of **\*evalhook\*** should be a function that takes two arguments, a form and an environment; this is called the *eval hook function*. When a form is to be evaluated (any form at all, even a number or a symbol), whether implicitly or via an explicit call to **eval**, no attempt is made to evaluate the form. Instead, the hook function is invoked and is passed the form to be evaluated as its first argument. The hook function is then responsible for evaluating the form; whatever is returned by the hook function is assumed to be the result of evaluating the form.

The variable **\*applyhook\*** is similar to **\*evalhook\*** but is used when a function is about to be applied to arguments. If the value of **\*applyhook\*** is not **nil**, then **eval** behaves in a special way.

X3J13 voted in January 1989 to revise the definition of **\*applyhook\***. Its value should be a function of *two* arguments, a function and a list of arguments; no environment information is passed to an apply hook function.

This was simply a flaw in the first edition. Sorry about that.

When a function is about to be applied to a list of arguments, no attempt is made to apply the function. Instead, the hook function is invoked and is passed the function and the list of arguments as its first and second arguments. The hook function is then responsible for evaluating the form; whatever is returned by the hook function is assumed to be the result of evaluating the form. The apply hook function is used only for application of ordinary functions within **eval**. It is not used for applications via **apply** or **funcall**, for applications by such functions as **map** or **reduce**, or for invocation of macro-expansion functions by either **eval** or **macroexpand**.

X3J13 voted in June 1988 to specify that the value of **\*macroexpand-hook\*** is first coerced to a function before being called as the expansion interface hook. This vote made no mention of **\*evalhook\*** or **\*applyhook\***, but this may have been an oversight.

A proposal was submitted to X3J13 in September 1989 to specify that the value of **\*evalhook\*** or **\*applyhook\*** is first coerced to a function before being called. If this proposal is accepted, the value of either variable may be **nil**, any other symbol, a lambda-expression, or any object of type **function**.

The last argument passed to either kind of hook function contains information about the lexical environment in an implementation-dependent format. These arguments are suitable for the functions **evalhook**, **applyhook**, and **macroexpand**.

When either kind of hook function is invoked, both of the variables **\*evalhook\*** and **\*applyhook\*** are rebound to the value **nil** around the invocation of the hook function. This is so that the hook function will not be invoked recursively on evaluations and applications that occur in the course of executing the code of the hook function. The functions **evalhook** and **applyhook** are useful for performing recursive evaluations and applications within the hook function.

The hook feature is provided as an aid to debugging. The **step** facility is implemented using this hook.

If a non-local exit causes a throw back to the top level of Lisp, perhaps because an error could not be corrected, then **\*evalhook\*** and **\*applyhook\*** are automatically reset to **nil** as a safety feature.

[Function] **evalhook** *form evalhookfn applyhookfn &optional env*  
 [Function] **applyhook** *function args evalhookfn applyhookfn &optional env*

The functions **evalhook** and **applyhook** are provided to make it easier to exploit the hook feature.

In the case of **evalhook**, the *form* is evaluated. In the case of **applyhook**, the *function* is applied to the list of arguments *args*. In either case, for the duration of the operation the variable **\*evalhook\*** is bound to *evalhookfn*, and **\*applyhook\*** is bound to *applyhookfn*. Furthermore, the *env* argument is used as the lexical environment for the operation; *env* defaults to the null environment. The check for a hook function is *bypassed* for the evaluation of the *form* itself (for **evalhook**) or for the application of the *function* to the *args* itself (for **applyhook**), but not for subsidiary evaluations and applications such as evaluations of subforms. It is this one-shot bypass that makes **evalhook** and **applyhook** so useful.

X3J13 voted in January 1989 to eliminate the optional *env* parameter to **applyhook**, because it is not (and cannot) be useful. Any function that can be applied carries its own environment and does not need another environment to be specified separately. This was a flaw in the first edition.

Here is an example of a very simple tracing routine that uses just the **evalhook** feature.

```
(defvar *hooklevel* 0)

(defun hook (x)
  (let ((*evalhook* 'eval-hook-function))
    (eval x)))

(defun eval-hook-function (form &rest env)
  (let ((*hooklevel* (+ *hooklevel* 1))
        (format *trace-output* "~%~V@TForm: ~S"
                (* *hooklevel* 2) form)
        (let ((values (multiple-value-list
                       (evalhook form
                                #'eval-hook-function
                                nil
                                env))))
          (format *trace-output* "~%~V@TValue:~{ ~S~}"
```



```
(* *hooklevel* 2) values)
(values-list values))))
```

Using these routines, one might see the following interaction:

```
(hook '(cons (floor *print-base* 2) 'b))
Form: (CONS (FLOOR *PRINT-BASE* 2) (QUOTE B))
Form: (FLOOR *PRINT-BASE* 3)
Form: *PRINT-BASE*
Value: 10
Form: 3
Value: 3
Value: 3 1
Form: (QUOTE B)
Value: B
Value: (3 . B)
(3 . B)
```

*[Function]* **constantp** *object*

If the predicate **constantp** is true of an object, then that object, when considered as a form to be evaluated, always evaluates to the same thing; it is a constant. This includes self-evaluating objects such as numbers, characters, strings, bit-vectors, and keywords, as well as all constant symbols declared by **defconstant**, such as **nil**, **t**, and **pi**. In addition, a list whose *car* is **quote**, such as (**quote foo**), is considered to be a constant.

If **constantp** is false of an object, then that object, considered as a form, might or might not always evaluate to the same thing.

## 20.2 The Top-Level Loop

Normally one interacts with Lisp through a “top-level **read-eval-print** loop,” so called because it is the highest level of control and consists of an endless loop that reads an expression, evaluates it, and prints the results. One has an effect on the state of the Lisp system only by invoking actions that have side effects.

The precise nature of the top-level loop for Common Lisp is purposely not rigorously specified here so that implementors can experiment to improve

the user interface. For example, an implementor may choose to require line-at-a-time input, or may provide a fancy editor or complex graphics-display interface. An implementor may choose to provide explicit prompts for input, or may choose (as MacLisp does) not to clutter up the transcript with prompts.

The top-level loop is required to trap all throws and recover gracefully. It is also required to print all values resulting from evaluation of a form, perhaps on separate lines. If a form returns zero values, as little as possible should be printed.

The following variables are maintained by the top-level loop as a limited safety net, in case the user forgets to save an interesting input expression or output value. (Note that the names of some of these variables violate the convention that names of global variables begin and end with an asterisk.) These are intended primarily for user interaction, which is why they have short names. Use of these variables should be avoided in programs.

*[Variable]* +  
*[Variable]* ++  
*[Variable]* +++

While a form is being evaluated by the top-level loop, the variable + is bound to the previous form read by the loop. The variable ++ holds the previous value of + (that is, the form evaluated two interactions ago), and +++ holds the previous value of ++.

*[Variable]* -

While a form is being evaluated by the top-level loop, the variable - is bound to the form itself; that is, it is the value about to be given to + once this interaction is done. *Notice of correction.* In the first edition, the name of the variable - was inadvertently omitted.

*[Variable]* \*  
*[Variable]* \*\*  
*[Variable]* \*\*\*

While a form is being evaluated by the top-level loop, the variable \* is bound to the result printed at the end of the last time through the loop; that is, it is the value produced by evaluating the form in +. If several values

were produced, `*` contains the first value only; `*` contains `nil` if zero values were produced. The variable `**` holds the previous value of `*` (that is, the result printed two interactions ago), and `***` holds the previous value of `**`.

If the evaluation of `+` is aborted for some reason, then the values associated with `*`, `**`, and `***` are not updated; they are updated only if the printing of values is at least begun (though not necessarily completed).

```
[Variable] /
[Variable] //
[Variable] ///
```

While a form is being evaluated by the top-level loop, the variable `/` is bound to a list of the results printed at the end of the last time through the loop; that is, it is a list of all values produced by evaluating the form in `+`. The value of `*` should always be the same as the *car* of the value of `/`. The variable `//` holds the previous value of `/` (that is, the results printed two interactions ago), and `///` holds the previous value of `//`. Therefore the value of `**` should always be the same as the *car* of `//`, and similarly for `***` and `///`.

If the evaluation of `+` is aborted for some reason, then the values associated with `/`, `//`, and `///` are not updated; they are updated only if the printing of values is at least begun (though not necessarily completed).

As an example of the processing of these variables, consider the following possible transcript, where `>` is a prompt by the top-level loop for user input:

```
>(cons - -)           ;Interaction 1
((CONS - -) CONS - -) ;Cute, huh?

>(values)             ;Interaction 2
                     ;Nothing to print

>(cons 'a 'b)         ;Interaction 3
(A . B)              ;There is a single value

>(hairy-loop)^G      ;Interaction 4
### QUIT to top level. ;(User aborts the computation.)

>(floor 13 4)        ;Interaction 5
3                    ;There are two values
1
```

At this point we have:

+++  $\Rightarrow$  (cons 'a 'b)  
++  $\Rightarrow$  (hairy-loop)  
+  $\Rightarrow$  (floor 13 4)

\*\*\*  $\Rightarrow$  NIL  
\*\*  $\Rightarrow$  (A . B)  
\*  $\Rightarrow$  3

///  $\Rightarrow$  ()  
//  $\Rightarrow$  ((A . B))  
/  $\Rightarrow$  (3 1)

# Chapter 21

## Streams

Streams are objects that serve as sources or sinks of data. Character streams produce or absorb characters; binary streams produce or absorb integers. The normal action of a Common Lisp system is to read characters from a character input stream, parse the characters as representations of Common Lisp data objects, evaluate each object (as a form) as it is read, and print representations of the results of evaluation to an output character stream.

Typically streams are connected to files or to an interactive terminal. Streams, being Lisp objects, serve as the ambassadors of external devices by which input/output is accomplished.

A stream, whether a character stream or a binary stream, may be input-only, output-only, or bidirectional. What operations may be performed on a stream depends on which of the six types of stream it is.

### 21.1 Standard Streams

There are several variables whose values are streams used by many functions in the Lisp system. These variables and their uses are listed here. By convention, variables that are expected to hold a stream capable of input have names ending with **-input**, and variables that are expected to hold a stream capable of output have names ending with **-output**. Variables expected to hold a bidirectional stream have names ending with **-io**.

*[Variable]* **\*standard-input\***

In the normal Lisp top-level loop, input is read from **\*standard-input\*** (that is, whatever stream is the value of the global variable **\*standard-input\***). Many input functions, including **read** and **read-char**, take a stream argument that defaults to **\*standard-input\***.

*[Variable]* **\*standard-output\***

In the normal Lisp top-level loop, output is sent to **\*standard-output\*** (that is, whatever stream is the value of the global variable **\*standard-output\***). Many output functions, including **print** and **write-char**, take a stream argument that defaults to **\*standard-output\***.

*[Variable]* **\*error-output\***

The value of **\*error-output\*** is a stream to which error messages should be sent. Normally this is the same as **\*standard-output\***, but **\*standard-output\*** might be bound to a file and **\*error-output\*** left going to the terminal or to a separate file of error messages.

*[Variable]* **\*query-io\***

The value of **\*query-io\*** is a stream to be used when asking questions of the user. The question should be output to this stream, and the answer read from it. When the normal input to a program may be coming from a file, questions such as “Do you really want to delete all of the files in your directory?” should nevertheless be sent directly to the user; and the answer should come from the user, not from the data file. For such purposes **\*query-io\*** should be used instead of **\*standard-input\*** and **\*standard-output\***. **\*query-io\*** is used by such functions as **yes-or-no-p**.

*[Variable]* **\*debug-io\***

The value of **\*debug-io\*** is a stream to be used for interactive debugging purposes. This is often the same as the value of **\*query-io\***, but need not be.

*[Variable]* **\*terminal-io\***

The value of **\*terminal-io\*** is ordinarily the stream that connects to the user's console. Typically, writing to this stream would cause the output to appear on a display screen, for example, and reading from the stream would accept input from a keyboard.

It is intended that standard input functions such as **read** and **read-char**, when used with this stream, would cause "echoing" of the input into the output side of the stream. (The means by which this is accomplished are of course highly implementation-dependent.)

*[Variable]* **\*trace-output\***

The value of **\*trace-output\*** is the stream on which the **trace** function prints its output.

The variables **\*standard-input\***, **\*standard-output\***, **\*error-output\***, **\*trace-output\***, **\*query-io\***, and **\*debug-io\*** are initially bound to synonym streams that pass all operations on to the stream that is the value of **\*terminal-io\***. (See **make-synonym-stream**.) Thus any operations performed on those streams will go to the terminal.

X3J13 voted in January 1989 to replace the requirements of the preceding paragraph with the following new requirements:

The seven standard stream variables, **\*standard-input\***, **\*standard-output\***, **\*query-io\***, **\*debug-io\***, **\*terminal-io\***, **\*error-output\***, and **\*trace-output\***, are initially bound to open streams. (These will be called *the standard initial streams*.)

The streams that are the initial values of **\*standard-input\***, **\*query-io\***, **\*debug-io\***, and **\*terminal-io\*** must support input.

The streams that are the initial values of **\*standard-output\***, **\*error-output\***, **\*trace-output\***, **\*query-io\***, **\*debug-io\***, and **\*terminal-io\*** must support output.

None of the standard initial streams (including the one to which **\*terminal-io\*** is initially bound) may be a synonym, either directly or indirectly, for any of the standard stream variables except **\*terminal-io\***. For example, the initial value of **\*trace-output\*** may be a synonym stream for **\*terminal-io\*** but not a synonym stream for **\*standard-output\*** or **\*query-io\***. (These are examples of direct synonyms.) As another example, **\*query-io\*** may be a two-way stream or echo stream whose input component is a synonym for **\*terminal-io\***, but its input component may not be

a synonym for **\*standard-input\*** or **\*debug-io\***. (These are examples of indirect synonyms.)

Any or all of the standard initial streams may be direct or indirect synonyms for one or more common implementation-dependent streams. For example, the standard initial streams might all be synonym streams (or two-way or echo streams whose components are synonym streams) to a pair of hidden terminal input and output streams maintained by the implementation.

Part of the intent of these rules is to ensure that it is always safe to bind any standard stream variable to the value of any other standard stream variable (that is, unworkable circularities are avoided) without unduly restricting implementation flexibility.

No user program should ever change the value of **\*terminal-io\***. A program that wants (for example) to divert output to a file should do so by binding the value of **\*standard-output\***; that way error messages sent to **\*error-output\*** can still get to the user by going through **\*terminal-io\***, which is usually what is desired.

## 21.2 Creating New Streams

Perhaps the most important constructs for creating new streams are those that open files; see **with-open-file** and **open**. The following functions construct streams without reference to a file system.

*[Function]* **make-synonym-stream** *symbol*

**make-synonym-stream** creates and returns a synonym stream. Any operations on the new stream will be performed on the stream that is then the value of the dynamic variable named by the *symbol*. If the value of the variable should change or be bound, then the synonym stream will operate on the new stream.

The result of **make-synonym-stream** is always a stream of type **synonym-stream**. Note that the type of a synonym stream is *always* **synonym-stream**, regardless of the type of the stream for which it is a synonym.



*[Function]* **make-broadcast-stream** &rest *streams*

This returns a stream that works only in the output direction. Any output sent to this stream will be sent to all of the *streams* given. The set of operations that may be performed on the new stream is the intersection of those for the given streams. The results returned by a stream operation are the values resulting from performing the operation on the last stream in *streams*; the results of performing the operation on all preceding streams are discarded. If no *streams* are given as arguments, then the result is a “bit sink”; all output to the resulting stream is discarded. The result of **make-broadcast-stream** is always a stream of type **broadcast-stream**.

*[Function]* **make-concatenated-stream** &rest *streams*

This returns a stream that works only in the input direction. Input is taken from the first of the *streams* until it reaches end-of-file; then that stream is discarded, and input is taken from the next of the *streams*, and so on. If no arguments are given, the result is a stream with no content; any input attempt will result in end-of-file. The result of **make-concatenated-stream** is always a stream of type **concatenated-stream**.

*[Function]* **make-two-way-stream** *input-stream* *output-stream*

This returns a bidirectional stream that gets its input from *input-stream* and sends its output to *output-stream*. The result of **make-two-way-stream** is always a stream of type **two-way-stream**.

*[Function]* **make-echo-stream** *input-stream* *output-stream*

This returns a bidirectional stream that gets its input from *input-stream* and sends its output to *output-stream*. In addition, all input taken from *input-stream* is echoed to *output-stream*.

Result of **make-echo-stream** is always a stream of type **echo-stream**.

X3J13 voted in January 1989 to clarify the interaction of **read-char**, **unread-char**, and **peek-char** with echo streams. (See the descriptions of those functions for details.)

X3J13 explicitly noted that the bidirectional streams that are the initial values of **\*query-io\***, **\*debug-io\***, and **\*terminal-io\***, even though they may have some echoing behavior, conceptually are not necessarily the

products of calls to **make-echo-stream** and therefore are not subject to the new rules about echoing on echo streams. Instead, these initial interactive streams may have implementation-dependent echoing behavior.

*[Function]* **make-string-input-stream** *string* &optional *start end*

This returns an input stream. The input stream will supply, in order, the characters in the substring of *string* delimited by *start* and *end*; after the last character has been supplied, the stream will then be at end-of-file.

Result of **make-string-input-stream** is always a stream of type **string-stream**.

*[Function]* **make-string-output-stream** &key *:element-type*

This returns an output stream that will accumulate all output given it for the benefit of the function **get-output-stream-string**.

The **:element-type** argument specifies what characters must be accepted by the created stream. If the **:element-type** argument is omitted, the created stream must accept all characters.

The result of **make-string-output-stream** is always a stream of type **string-stream**.

*[Function]* **get-output-stream-string** *string-output-stream*

Given a stream produced by **make-string-output-stream**, this returns a string containing all the characters output to the stream so far. The stream is then reset; thus each call to **get-output-stream-string** gets only the characters since the last such call (or the creation of the stream, if no such previous call has been made).

*[Macro]* **with-open-stream** (var *stream*) {declaration}\* {form}\*

The form *stream* is evaluated and must produce a stream. The variable *var* is bound with the stream as its value, and then the forms of the body are executed as an implicit **progn**; the results of evaluating the last form are returned as the value of the **with-open-stream** form. The stream is automatically closed on exit from the **with-open-stream** form, no matter whether the exit is normal or abnormal; see **close**. The stream should be regarded as having dynamic extent.

The stream created by **with-open-stream** is always of type **file-stream**.

*[Macro]* **with-input-from-string** (var string {keyword value}\*)  
 {declaration}\* {form}\*

The body is executed as an implicit **progn** with the variable *var* bound to a character input stream that supplies successive characters from the value of the form *string*. **with-input-from-string** returns the results from the last *form* of the body.

The input stream is automatically closed on exit from the **with-input-from-string** form, no matter whether the exit is normal or abnormal. The stream should be regarded as having dynamic extent.

The stream created by **with-input-from-string** is always of type **string-stream**.

The following keyword options may be used:

**:index** The form after the **:index** keyword should be a *place* acceptable to **setf**. If the **with-input-from-string** form is exited normally, then the *place* will have stored into it the index into the *string* indicating the first character not read (the length of the string if all characters were used). The *place* is not updated as reading progresses, but only at the end of the operation.

**:start** The **:start** keyword takes an argument indicating, in the manner usual for sequence functions, the beginning of a substring of *string* to be used.

**:end** The **:end** keyword takes an argument indicating, in the manner usual for sequence functions, the end of a substring of *string* to be used.

Here is an example of the use of **with-input-from-string**:

```
(with-input-from-string (s "Animal Crackers" :index j :start 6)
  (read s)) => crackers
```

As a side effect, the variable **j** is set to **15**.

X3J13 voted in January 1989 to restrict user side effects; see section 7.9.

*[Macro]* **with-output-to-string** (var [string [:element-type type]])  
 {declaration}\* {form}\*

One may specify **nil** instead of a string as the *string* and use the **:element-type** argument to specify what characters must be accepted by

the created stream. If no *string* argument is provided, or if it is **nil** and no **:element-type** is specified, the created stream must accept all characters.

If *string* is specified, it must be a string with a fill pointer; the output is incrementally appended to the string (as if by use of **vector-push-extend**).

In this way output cannot be accidentally lost. This change makes **with-output-to-string** behave in the same way that **format** does when given a string as its first argument.

The stream created by **with-output-to-string** is always of type **string-stream**.

X3J13 voted in January 1989 to restrict user side effects; see section 7.9.

### 21.3 Operations on Streams

This section contains discussion of only those operations that are common to all streams. Input and output is rather complicated and is discussed separately in chapter 22. The interface between streams and the file system is discussed in chapter 23.

*[Function]* **streamp** *object*

**streamp** is true if its argument is a stream, and otherwise is false.

$(\text{streamp } x) \equiv (\text{typep } x \text{ 'stream})$

**streamp** is unaffected by whether its argument, if a stream, is open or closed. In either case it returns true.

*[Function]* **open-stream-p** *stream*

X3J13 voted in January 1989 to add the predicate **open-stream-p**. It is true if its argument (which must be a stream) is open, and otherwise is false.

A stream is always created open; it remains open until closed with the **close** function. The macros **with-open-stream**, **with-input-from-string**, **with-output-to-string**, and **with-open-file** automatically close the created stream as control leaves their bodies, in effect imposing dynamic extent on the openness of the stream.

*[Function]* **input-stream-p** *stream*

This predicate is true if its argument (which must be a stream) can handle input operations, and otherwise is false.

*[Function]* **output-stream-p** *stream*

This predicate is true if its argument (which must be a stream) can handle output operations, and otherwise is false.

*[Function]* **stream-element-type** *stream*

A type specifier is returned to indicate what objects may be read from or written to the argument *stream*, which must be a stream. Streams created by **open** will have an element type restricted to a subset of **character** or **integer**, but in principle a stream may conduct transactions using any Lisp objects.

*[Function]* **close** *stream* &key *:abort*

The argument must be a stream. The stream is closed. No further input/output operations may be performed on it. However, certain inquiry operations may still be performed, and it is permissible to close an already closed stream.

X3J13 voted in January 1989 and revised the vote in March 1989 to specify that if **close** is called on an open stream, the stream is closed and **t** is returned; but if **close** is called on a closed stream, it succeeds without error and returns an unspecified value. (The rationale for not specifying the value returned for a closed stream is that in some implementations closing certain streams does not really have an effect on them—for example, closing the **\*terminal-io\*** stream might not “really” close it—and it is not desirable to force such implementations to keep otherwise unnecessary state. Portable programs will of course not rely on such behavior.)

X3J13 also voted in January 1989 to specify exactly which inquiry functions may be applied to closed streams:

<b>streamp</b>	<b>pathname-host</b>	<b>namestring</b>
<b>pathname</b>	<b>pathname-device</b>	<b>file-namestring</b>
<b>truename</b>	<b>pathname-directory</b>	<b>directory-namestring</b>
<b>merge-pathnames</b>	<b>pathname-name</b>	<b>host-namestring</b>
<b>open</b>	<b>pathname-type</b>	<b>enough-namestring</b>
<b>probe-file</b>	<b>pathname-version</b>	<b>directory</b>

See the individual descriptions of these functions for more information on how they operate on closed streams.

X3J13 voted in January 1989 to clarify the effect of closing various kinds of streams. First some terminology:

- A *composite* stream is one that was returned by a call to **make-synonym-stream**, **make-broadcast-stream**, **make-concatenated-stream**, **make-two-way-stream**, or **make-echo-stream**.
- The *constituents* of a composite stream are the streams that were given as arguments to the function that constructed it or, in the case of **make-synonym-stream**, the stream that is the **symbol-value** of the symbol that was given as an argument. (The constituent of a synonym stream may therefore vary over time.)
- A *constructed* stream is either a composite stream or one returned by a call to **make-string-input-stream**, **make-string-output-stream**, **with-input-from-string**, or **with-output-to-string**.

The effect of applying **close** to a constructed stream is to close that stream only. No input/output operations are permitted on the constructed stream once it has been closed (though certain inquiry functions are still permitted, as described above).

Closing a composite stream has no effect on its constituents; any constituents that are open remain open.

If a stream created by **make-string-output-stream** is closed, the result of then applying **get-output-stream-string** to the stream is unspecified.

If the **:abort** parameter is not **nil** (it defaults to **nil**), it indicates an abnormal termination of the use of the stream. An attempt is made to clean up any side effects of having created the stream in the first place. For example, if the stream performs output to a file that was newly created when

the stream was created, then if possible the file is deleted and any previously existing file is not superseded.

*[Function]* **broadcast-stream-streams** *broadcast-stream*

The argument must be of type **broadcast-stream**. A list of the constituent output streams (whether open or not) is returned.

*[Function]* **concatenated-stream-streams** *concatenated-stream*

The argument must be of type **concatenated-stream**. A list of constituent streams (whether open or not) is returned. This list represents the ordered set of input streams from which the concatenated stream may yet read; the stream from which it is currently reading is first in the list. The list may be empty if no more streams remain to be read.

*[Function]* **echo-stream-input-stream** *echo-stream*

*[Function]* **echo-stream-output-stream** *echo-stream*

The argument must be of type **echo-stream**. The function **echo-stream-input-stream** returns the constituent input stream; **echo-stream-output-stream** returns the constituent output stream.

*[Function]* **synonym-stream-symbol** *synonym-stream*

The argument must be of type **synonym-stream**. This function returns the symbol for whose value the *synonym-stream* is a synonym.

*[Function]* **two-way-stream-input-stream** *two-way-stream*

*[Function]* **two-way-stream-output-stream** *two-way-stream*

The argument must be of type **two-way-stream**. The function **two-way-stream-input-stream** returns the constituent input stream; **two-way-stream-output-stream** returns the constituent output stream.

*[Function]* **interactive-stream-p** *stream*

X3J13 voted in June 1989 to add the predicate **interactive-stream-p**, which returns **t** if the *stream* is interactive and otherwise returns **nil**. A **type-error** error is signalled if the argument is not of type **stream**.

The precise meaning of **interactive-stream-p** is implementation-dependent and may depend on the underlying operating system. The intent is to distinguish between interactive and batch (background, command-file) operations. Some characteristics that might distinguish a stream as interactive:

- The stream is connected to a person (or the equivalent) in such a way that the program can prompt for information and expect to receive input that might depend on the prompt.
- The program is expected to prompt for input and to support “normal input editing protocol” for that operating environment.
- A call to **read-char** might hang waiting for the user to type something rather than quickly returning a character or an end-of-file indication.

The value of **\*terminal-io\*** might or might not be interactive.

*[Function]* **stream-external-format** *stream*

X3J13 voted in June 1989 to add the function **stream-external-format**, which returns a specifier for the implementation-recognized scheme used for representing characters in the argument *stream*. See the **:external-format** argument to **open**.



# Chapter 22

## Input/Output

Common Lisp provides a rich set of facilities for performing input/output. All input/output operations are performed on streams of various kinds. This chapter is devoted to stream data transfer operations. Streams are discussed in chapter 21, and ways of manipulating files through streams are discussed in chapter 23.

While there is provision for reading and writing binary data, most of the I/O operations in Common Lisp read or write characters. There are simple primitives for reading and writing single characters or lines of data. The **format** function can perform complex formatting of output data, directed by a control string in manner similar to a Fortran **FORMAT** statement or a **PL/I PUT EDIT** statement. The most useful I/O operations, however, read and write printed representations of arbitrary Lisp objects.

Common Lisp содержит богатый функционал для выполнения операций ввода/вывода. Все эти операции производятся на различного вида потоках. Данная глава посвящена тому, как оперировать данными в потоках. Потоки обсуждаются в главе 21, а способы работы с файлами через потоки в главе 23.

Большинство операций ввода/вывода в Common Lisp'е читают и записывают буквы, но также есть функции и для бинарных данных. Есть простые примитивы для чтения и записи одного символа или строк данных. Функция **format** может выполнять сложное форматирование выходных данных, с помощью управляющей строки как в выражении **FORMAT** в Fortran'е или в **PUT EDIT** в **PL/I**. Однако, самые полезные операции ввода/вывода читают и записывают выводимые представления произвольных Lisp'овых объектов.

## 22.1 Printed Representation of Lisp Objects

Lisp objects in general are not text strings but complex data structures. They have very different properties from text strings as a consequence of their internal representation. However, to make it possible to get at and talk about Lisp objects, Lisp provides a representation of most objects in the form of printed text; this is called the *printed representation*, which is used for input/output purposes and in the examples throughout this book. Functions such as **print** take a Lisp object and send the characters of its printed representation to a stream. The collection of routines that does this is known as the (Lisp) *printer*. The **read** function takes characters from a stream, interprets them as a printed representation of a Lisp object, builds that object, and returns it; the collection of routines that does this is called the (Lisp) *reader*.

В общем случае Lisp'овые объекты являются не строками, а сложными структурами данных. Как следствие их внутреннего представления, свойства этих объектов очень отличается от свойств строк. Однако, для того, чтобы можно было повествовать о Lisp'овых объектах, Lisp большинство объектов отображает в форме текста. Это называется *строковое представление*, которое используется для ввода/вывода, а также в примерах в данной книге. Такие функции, как **print**, принимают Lisp'овый объект и посылают строку представления в поток. Коллекция этих функций называется (Lisp'овым) *принтером*. Функция **read** принимает буквы из потока, интерпретирует их как представление некоторого Lisp'ового объекта, создаёт этот объект и возвращает его. Коллекция этих функций называется (Lisp'овым) *считывателем*.

Ideally, one could print a Lisp object and then read the printed representation back in, and so obtain the same identical object. In practice this is difficult and for some purposes not even desirable. Instead, reading a printed representation produces an object that is (with obscure technical exceptions) **equal** to the originally printed object.

В идеале, можно вывести Lisp'овый объект, а затем прочесть его обратно и получить идентичный первому объект. На практике это сделать сложнее, а в некоторых случаях это и не желательно. Вместо этого, считывание выводимого представления создаёт объект, который равен **equal** оригинальному объекту.

Most Lisp objects have more than one possible printed representation.

For example, the integer twenty-seven can be written in any of these ways:

```
27 27. #o33 #x1B #b11011 #.(* 3 3 3) 81/3
```

A list of two symbols **A** and **B** can be printed in many ways:

```
(A B) (a b) ( a b) (\A |B|)
(|\A|
 B
)
```

The last example, which is spread over three lines, may be ugly, but it is legitimate. In general, wherever whitespace is permissible in a printed representation, any number of spaces and newlines may appear.

Большинство Lisp'овых объектов имеют более одного представления. Например, целое число двадцать семь может быть записано одним из способов:

```
27 27. #o33 #x1B #b11011 #.(* 3 3 3) 81/3
```

Список двух символов **A** и **B** может быть записан в виде:

```
(A B) (a b) ( a b) (\A |B|)
(|\A|
 B
)
```

Последний пример, который занимает три строки, может и некрасив, но вполне законен. В общем случае, везде в представлении, где разрешены пробелы, может встречаться любое количество пробелов или знаков перевода строки.

When **print** produces a printed representation, it must choose arbitrarily from among many possible printed representations. It attempts to choose one that is readable. There are a number of global variables that can be used to control the actions of **print**, and a number of different printing functions.

Когда **print** выводит представление объекта, она должна произвольно выбрать одно из возможных представлений. Она пытается выбрать то, которое может быть прочитано считывателем. В Common Lisp'e представлено некоторое количество глобальных переменных, которые могут изменять поведение **print**, и некоторое количество различных функций для вывода.

This section describes in detail what is the standard printed representation for any Lisp object and also describes how `read` operates.

Этот раздел детально описывает, что является стандартным выводимым представлением для любого Lisp'ового объекта, и также описывает то, как работает `read`.

### 22.1.1 What the Read Function Accepts

The purpose of the Lisp reader is to accept characters, interpret them as the printed representation of a Lisp object, and construct and return such an object. The reader cannot accept everything that the printer produces; for example, the printed representations of compiled code objects cannot be read in. However, the reader has many features that are not used by the output of the printer at all, such as comments, alternative representations, and convenient abbreviations for frequently used but unwieldy constructs. The reader is also parameterized in such a way that it can be used as a lexical analyzer for a more general user-written parser.

Целью Lisp'ового считывателя (ридера) является чтение строки, интерпретация как Lisp'ового объекта, создание и возврат этого объекта. Считыватель (ридер) не может прочесть все возможные выводимые представления объектов, например невозможно прочесть представление скомпилированного кода. Однако считыватель (ридер) содержит много таких возможностей, которые не используются при выводе. К ним относятся комментарии, альтернативные представления и удобные аббревиатуры для часто используемых, но тяжеловесных конструкций. Считыватель также может быть настроен так, чтобы использоваться в качестве лексического анализатора для более общих пользовательских парсеров.

The reader is organized as a recursive-descent parser. Broadly speaking, the reader operates by reading a character from the input stream and treating it in one of three ways. Whitespace characters serve as separators but are otherwise ignored. Constituent and escape characters are accumulated to make a *token*, which is then interpreted as a number or symbol. Macro characters trigger the invocation of functions (possibly user-supplied) that can perform arbitrary parsing actions, including recursive invocation of the reader.

Считыватель выполнен как рекурсивный нисходящий парсер. Проще говоря, считыватель считывает букву из входящего потока

и обрабатывает его одним из трёх способов. Пробельные буквы расцениваются как разделители, более одного игнорируются. Обычные и экранирующие буквы накапливаются и составляют *токен*, которые затем интерпретирует как число или символ. Макросимволы запускают (вызывают) функцию (возможно пользовательскую), которая выполняет произвольный парсинг, которые может содержать рекурсивный вызов считывателя.

More precisely, when the reader is invoked, it reads a single character from the input stream and dispatches according to the syntactic type of that character. Every character that can appear in the input stream must be of exactly one of the following kinds: *illegal*, *whitespace*, *constituent*, *single escape*, *multiple escape*, or *macro*. Macro characters are further divided into the types *terminating* and *non-terminating* (of tokens). (Note that macro characters have nothing whatever to do with macros in their operation. There is a superficial similarity in that macros allow the user to extend the syntax of Common Lisp at the level of forms, while macro characters allow the user to extend the syntax at the level of characters.) Constituents additionally have one or more attributes, the most important of which is *alphabetic*; these attributes are discussed further in section 22.1.2.

Более точное описание: когда вызывается считыватель, он читает один строковый символ из входящего потока и действует в зависимости от типа данного символа. Каждый символ, который может встретиться во входящем потоке должен принадлежать только определённым типам: *некорректный*, *пробельный*, *обычный*, *одиночный экранирующий*, *много экранирующий*, *ог макросимвол*. Макросимволы в свою очередь делятся на *терминальные* и *нетерминальные*. (Следует отметить, что макросимволы не имеют ничего общего с макросами. Подобие заключается в том, что макросы позволяют расширить синтаксис Common Lisp'a на уровне форм, тогда как макросимволы позволяют расширить синтаксис на уровне букв.) Обычные символы имеют один или более атрибутов, наиболее важный из них это *алфавитный*. Эти атрибуты описаны далее в разделе 22.1.2.

The parsing of Common Lisp expressions is discussed in terms of these syntactic character types because the types of individual characters are not fixed but may be altered by the user (see **set-syntax-from-char** and **set-macro-character**). The characters of the standard character set initially have the syntactic types shown in table 22.2. Note that the brackets, braces, question mark, and exclamation point (that is, [, ], {, }, ?, and !) are

normally defined to be constituents, but they are not used for any purpose in standard Common Lisp syntax and do not occur in the names of built-in Common Lisp functions or variables. These characters are explicitly reserved to the user. The primary intent is that they be used as macro characters; but a user might choose, for example, to make `!` be a *single escape* character (as it is in Portable Standard Lisp).

Парсинг Common Lisp'овых выражений описан в терминах типов синтаксических символов, так как типы отдельных символов не фиксированы и могут быть изменены пользователем (смотрите **set-syntax-from-char** и **set-macro-character**). Символы из стандартного множества имеют типы указанные в таблице 22.2. Следует отметить, что квадратные, фигурные скобки, вопросительные знак и восклицательный знак (то есть, `[, ]`, `{, }`, `?`, и `!`) являются обычными символами, но они не используются в стандартном Common Lisp'е и не встречаются в именах системных функций и переменных. Эти символы явно зарезервированы для нужд пользователя. Главная цель в том, чтобы использовать эти символы в качестве макросимволов, но пользователь также может, например, сделать символ `!` *одиночным экранирующим* символом (как в Portable Standard Lisp).

The algorithm performed by the Common Lisp reader is roughly as follows:

Алгоритм, выполняемый Common Lisp'овым считывателем, примерно такой:

1. If at end of file, perform end-of-file processing (as specified by the caller of the **read** function). Otherwise, read one character from the input stream, call it *x*, and dispatch according to the syntactic type of *x* to one of steps 4 to 14.
2. Если достигнут конец файл, обработать эту ситуацию так как указал вызвавший функцию **read**. В противном случае, прочесть один символ из входящего потока, назвать его *x*, и обработать в соответствии с синтаксическим типом *x* одним из способов 4 или 14.
3. If *x* is an *illegal* character, signal an error.
4. Если *x* является *некорректным* символом, сигнализировать ошибку.
5. If *x* is a *whitespace* character, then discard it and go back to step 2.

Table 22.1: Standard Character Syntax Types

<code>&lt;tab&gt;</code> <i>whitespace</i>	<code>&lt;page&gt;</code> <i>whitespace</i>	<code>&lt;newline&gt;</code> <i>whitespace</i>
<code>&lt;space&gt;</code> <i>whitespace</i>	<code>@</code> <i>constituent</i>	<code>'</code> <i>terminating macro</i>
<code>!</code> <i>constituent *</i>	<code>A</code> <i>constituent</i>	<code>a</code> <i>constituent</i>
<code>"</code> <i>terminating macro</i>	<code>B</code> <i>constituent</i>	<code>b</code> <i>constituent</i>
<code>#</code> <i>non-terminating macro</i>	<code>C</code> <i>constituent</i>	<code>c</code> <i>constituent</i>
<code>\$</code> <i>constituent</i>	<code>D</code> <i>constituent</i>	<code>d</code> <i>constituent</i>
<code>%</code> <i>constituent</i>	<code>E</code> <i>constituent</i>	<code>e</code> <i>constituent</i>
<code>&amp;</code> <i>constituent</i>	<code>F</code> <i>constituent</i>	<code>f</code> <i>constituent</i>
<code>'</code> <i>terminating macro</i>	<code>G</code> <i>constituent</i>	<code>g</code> <i>constituent</i>
<code>(</code> <i>terminating macro</i>	<code>H</code> <i>constituent</i>	<code>h</code> <i>constituent</i>
<code>)</code> <i>terminating macro</i>	<code>I</code> <i>constituent</i>	<code>i</code> <i>constituent</i>
<code>*</code> <i>constituent</i>	<code>J</code> <i>constituent</i>	<code>j</code> <i>constituent</i>
<code>+</code> <i>constituent</i>	<code>K</code> <i>constituent</i>	<code>k</code> <i>constituent</i>
<code>,</code> <i>terminating macro</i>	<code>L</code> <i>constituent</i>	<code>l</code> <i>constituent</i>
<code>-</code> <i>constituent</i>	<code>M</code> <i>constituent</i>	<code>m</code> <i>constituent</i>
<code>.</code> <i>constituent</i>	<code>N</code> <i>constituent</i>	<code>n</code> <i>constituent</i>
<code>/</code> <i>constituent</i>	<code>O</code> <i>constituent</i>	<code>o</code> <i>constituent</i>
<code>0</code> <i>constituent</i>	<code>P</code> <i>constituent</i>	<code>p</code> <i>constituent</i>
<code>1</code> <i>constituent</i>	<code>Q</code> <i>constituent</i>	<code>q</code> <i>constituent</i>
<code>2</code> <i>constituent</i>	<code>R</code> <i>constituent</i>	<code>r</code> <i>constituent</i>
<code>3</code> <i>constituent</i>	<code>S</code> <i>constituent</i>	<code>s</code> <i>constituent</i>
<code>4</code> <i>constituent</i>	<code>T</code> <i>constituent</i>	<code>t</code> <i>constituent</i>
<code>5</code> <i>constituent</i>	<code>U</code> <i>constituent</i>	<code>u</code> <i>constituent</i>
<code>6</code> <i>constituent</i>	<code>V</code> <i>constituent</i>	<code>v</code> <i>constituent</i>
<code>7</code> <i>constituent</i>	<code>W</code> <i>constituent</i>	<code>w</code> <i>constituent</i>
<code>8</code> <i>constituent</i>	<code>X</code> <i>constituent</i>	<code>x</code> <i>constituent</i>
<code>9</code> <i>constituent</i>	<code>Y</code> <i>constituent</i>	<code>y</code> <i>constituent</i>
<code>:</code> <i>constituent</i>	<code>Z</code> <i>constituent</i>	<code>z</code> <i>constituent</i>
<code>;</code> <i>terminating macro</i>	<code>[</code> <i>constituent *</i>	<code>{</code> <i>constituent *</i>
<code>&lt;</code> <i>constituent</i>	<code>\</code> <i>single escape</i>	<code> </code> <i>multiple escape</i>
<code>=</code> <i>constituent</i>	<code>]</code> <i>constituent *</i>	<code>}</code> <i>constituent *</i>
<code>&gt;</code> <i>constituent</i>	<code>^</code> <i>constituent</i>	<code>~</code> <i>constituent</i>
<code>?</code> <i>constituent *</i>	<code>_</code> <i>constituent</i>	<code>&lt;rubout&gt;</code> <i>constituent</i>
<code>&lt;backspace&gt;</code> <i>constituent</i>	<code>&lt;return&gt;</code> <i>whitespace</i>	<code>&lt;linefeed&gt;</code> <i>whitespace</i>

The characters marked with an asterisk are initially constituents but are reserved to the user for use as macro characters or for any other desired purpose.

Table 22.2: Стандартные типы символьного синтаксиса

<code>&lt;tab&gt;</code> пробел	<code>&lt;page&gt;</code> пробел	<code>&lt;newline&gt;</code> пробел
<code>&lt;space&gt;</code> пробел	@ обычный	' терминальный макрос
! обычный *	A обычный	a обычный
" терминальный макрос	B обычный	b обычный
# не-терминальный макрос	C обычный	c обычный
\$ обычный	D обычный	d обычный
% обычный	E обычный	e обычный
& обычный	F обычный	f обычный
' терминальный макрос	G обычный	g обычный
( терминальный макрос	H обычный	h обычный
) терминальный макрос	I обычный	i обычный
* обычный	J обычный	j обычный
+ обычный	K обычный	k обычный
, терминальный макрос	L обычный	l обычный
- обычный	M обычный	m обычный
. обычный	N обычный	n обычный
/ обычный	O обычный	o обычный
0 обычный	P обычный	p обычный
1 обычный	Q обычный	q обычный
2 обычный	R обычный	r обычный
3 обычный	S обычный	s обычный
4 обычный	T обычный	t обычный
5 обычный	U обычный	u обычный
6 обычный	V обычный	v обычный
7 обычный	W обычный	w обычный
8 обычный	X обычный	x обычный
9 обычный	Y обычный	y обычный
: обычный	Z обычный	z обычный
; терминальный макрос	[ обычный *	{ обычный *
< обычный	\ экранирующий один	экранирующий много
= обычный	] обычный *	} обычный *
> обычный	^ обычный	~ обычный
? обычный *	_ обычный	<rubout> обычный
<backspace> обычный	<return> пробел	<linefeed> пробел

Символы помеченные звездочкой первоначально являются составной частью, но зарезервированы для пользователя в качестве использования макросимволов или для других целей.



6. Если  $x$  является пробелом, игнорировать его и вернуться на шаг 2.
7. If  $x$  is a *macro* character (at this point the distinction between *terminating* and *non-terminating* macro characters does not matter), then execute the function associated with that character. The function may return zero values or one value (see **values**).

The macro-character function may of course read characters from the input stream; if it does, it will see those characters following the macro character. The function may even invoke the reader recursively. This is how the macro character ( constructs a list: by invoking the reader recursively to read the elements of the list.

If one value is returned, then return that value as the result of the read operation; the algorithm is done. If zero values are returned, then go back to step 2.

8. Если  $x$  является макросимволом (в данном случае различие между терминальным и нетерминальным) макросимволами не имеет значения), тогда вызвать функцию связанную с этим макросимволом. Функция может вернуть ноль или одно значение (смотрите **values**).

Функция связанная с макросимволом, конечно, может считывать символы из входящего потока, в этом случае она увидит символы, идущие после данного макросимвола. Функция даже может рекурсивно вызвать считыватель. Это например способ, которым создаётся список для макросимвола (: рекурсивным вызовом считывателя для каждого элемента списка.

Если функция вернула одно значение, тогда это значение возвращается в качестве результата операции чтения, алгоритм выполнен. Если функция не вернула значений, тогда приходит шаг 2.

9. If  $x$  is a *single escape* character (normally  $\backslash$ ), then read the next character and call it  $y$  (but if at end of file, signal an error instead). Ignore the usual syntax of  $y$  and pretend it is a *constituent* whose only attribute is *alphabetic*.

For the purposes of **readtable-case**,  $y$  is not replaceable.

Use  $y$  to begin a token, and go to step 16.

10. Если  $x$  является *одиночным экранирующим символом* (обычно это `\`), тогда считать следующий символ и называть его  $y$  (но если был конец файла, сигнализировать ошибкой). Игнорировать обычный синтаксис  $y$ , и трактовать его как *обычный*, у которого только *алфавитный* атрибут.

В целях использования **readtable-case**,  $y$  является незамещаемым.

Использовать  $y$  для начала токена, и перейти к шагу 16.

11. If  $x$  is a *multiple escape* character (normally `|`), then begin a token (initially containing no characters) and go to step 18.
12. Если  $x$  является *много экранирующим символом* (обычно `|`), тогда начать запись токена (первоначально нулевой длины) и перейти к шагу 18.
13. If  $x$  is a *constituent* character, then it begins an extended token. After the entire token is read in, it will be interpreted either as representing a Lisp object such as a symbol or number (in which case that object is returned as the result of the read operation), or as being of illegal syntax (in which case an error is signaled).

The case of  $x$  should not be altered; instead,  $x$  should be regarded as replaceable.

Use  $x$  to begin a token, and go on to step 16.

14. Если  $x$  *обычный* символ, тогда начать запись расширенного токена. После того как токен был считан, он будет интерпретирован как представление Lisp'ового объекта: или символа, или числа (в этом случае объект будет возвращён как результат функции чтения), или как некорректный синтаксис (в этом случае будет сигнализирована ошибка).

Регистр символа  $x$  не должен меняться, вместо этого  $x$  помечается как замещаемый.

Использовать  $x$  для токена, и перейти к шагу 16.

15. (At this point a token is being accumulated, and an even number of *multiple escape* characters have been encountered.) If at end of file, go to step 20. Otherwise, read a character (call it  $y$ ), and perform one of the following actions according to its syntactic type:

16. (В данной точке начинается запись токена, и FIXME ) Если конец файла, перейти к шагу 20. Иначе прочесть символ (назвать его  $y$ ), и выполнить одно из следующих действий в зависимости от синтаксического типа:

- If  $y$  is a *constituent* or *non-terminating macro*, then do the following.  
The case of  $y$  should not be altered; instead,  $y$  should be regarded as replaceable.  
Append  $y$  to the token being built, and repeat step 16.
- Если  $y$  обычный или *нетерминальный макросимвол*, тогда выполнить следующее.  
Регистр  $y$  не должен быть изменён, вместо этого  $y$  помечается как замещаемый.  
Добавить  $y$  в конец записываемого токена и повторить шаг 16.
- If  $y$  is a *single escape* character, then read the next character and call it  $z$  (but if at end of file, signal an error instead). Ignore the usual syntax of  $z$  and pretend it is a *constituent* whose only attribute is *alphabetic*.  
For the purposes of **readtable-case**,  $z$  is not replaceable.  
Append  $z$  to the token being built, and repeat step 16.
- Если  $y$  является *одинарным экранирующим символом*, тогда прочесть следующий символ и назвать его  $z$  (но если это конец файла, сигнализировать ошибке). Игнорировать обычный синтаксис  $z$  и трактовать его как *обычный* символ, а которого только *алфавитный* атрибут.  
В целях функции **readtable-case**,  $z$  не является замещаемым.  
Добавить  $z$  в конец записываемого токена и повторить шаг 16.
- If  $y$  is a *multiple escape* character, then go to step 18.
- Если  $y$  это *много экранирующий символ*, тогда перейти к шагу 18.
- If  $y$  is an *illegal* character, signal an error.
- Если  $y$  это *некорректный символ*, сигнализировать ошибке.
- If  $y$  is a *terminating macro* character, it terminates the token. First “unread” the character  $y$  (see **unread-char**), then go to step 20.

- Если  $y$  это *терминальный макросимвол*, он завершает запись токена. Сначала «отменить» чтение символа  $y$  (смотрите **unread-char**), затем перейти к шагу 20.
  - If  $y$  is a *whitespace* character, it terminates the token. First “unread”  $y$  if appropriate (see **read-preserving-whitespace**), then go to step 20.
  - Если  $y$  это *пробел*, он завершает запись токена. Сначала, если необходимо (смотрите **read-preserving-whitespace**) «отменить» чтение  $y$ , затем перейти к шагу 20.
17. (At this point a token is being accumulated, and an odd number of *multiple escape* characters have been encountered.) If at end of file, signal an error. Otherwise, read a character (call it  $y$ ), and perform one of the following actions according to its syntactic type:
18. (В данной точке начинается запись токена, и FIXME ) Если конец файла, сигнализировать ошибку. Иначе прочесть символ (назвать его  $y$ ), и выполнить одно из следующих действий в зависимости от синтаксического типа:
- If  $y$  is a *constituent*, *macro*, or *whitespace* character, then ignore the usual syntax of that character and pretend it is a *constituent* whose only attribute is *alphabetic*.  
For the purposes of **readtable-case**,  $y$  is not replaceable.  
Append  $y$  to the token being built, and repeat step 18.
  - Если  $y$  *обычный*, *макросимвол* или *пробел*, тогда игнорировать обычный синтаксис данного символа и трактовать его как *обычный*, у которого есть только *алфавитный* атрибут.
  - If  $y$  is a *single escape* character, then read the next character and call it  $z$  (but if at end of file, signal an error instead). Ignore the usual syntax of  $z$  and pretend it is a *constituent* whose only attribute is *alphabetic*.  
For the purposes of **readtable-case**,  $z$  is not replaceable.  
Append  $z$  to the token being built, and repeat step 18.
  - Если  $y$  *одинарный экранирующий символ*, тогда прочесть следующий символ и назвать его  $z$  (но если конец файла,

сигнализировать ошибку). Игнорировать обычный синтаксис  $z$  и трактовать его как *обычный* символ, у которого только *алфавитный атрибут*.

Для функции **readtable-case**  $z$  незамещаемый.

Добавить  $z$  в конец записываемого токена и повторить шаг 18.

- If  $y$  is a *multiple escape* character, then go to step 16.
  - Если  $y$  *много экранирующий символ*, тогда перейти к шагу 16.
  - If  $y$  is an *illegal* character, signal an error.
  - Если  $y$  *некорректный символ*, сигнализировать ошибку.
19. An entire token has been accumulated. X3J13 voted in June 1989 to introduce **readtable-case**. If the accumulated token is to be interpreted as a symbol, any case conversion of replaceable characters should be performed at this point according to the value of the **readtable-case** slot of the current readtable (the value of **\*readtable\***). Interpret the token as representing a Lisp object and return that object as the result of the read operation, or signal an error if the token is not of legal syntax. X3J13 voted in March 1989 to specify that implementation-defined attributes may be removed from the characters of a symbol token when constructing the print name. It is implementation-dependent which attributes are removed.
20. Данный токен был записан. Если записанный токен трактуется как символ, в данной точке, если указано в слоте **readtable-case** текущей таблицы чтения из переменной **\*readtable\***, все заменяемые символы должны быть возведены в верхний регистр.

Интерпретировать токен как представление Lisp'ового объекта и вернуть этот объект в качестве результата операции чтения, или сигнализировать ошибку, если у токена некорректный синтаксис.

As a rule, a *single escape* character never stands for itself but always serves to cause the following character to be treated as a simple alphabetic character. A *single escape* character can be included in a token only if preceded by another *single escape* character.

Как правило. *одинарный экранирующий символ* никогда не стоит сам по себе, а всегда указывает, что следующий символ нужно трактовать, как *обычный алфавитный символ*. *Одинарный экранирующий символ*

МОЖНО ВКЛЮЧИТЬ В ТОКЕН ТОЛЬКО С ПОМОЩЬЮ ДРУГОГО *одинарного экранирующего символа*.

A *multiple escape* character also never stands for itself. The characters between a pair of *multiple escape* characters are all treated as simple alphabetic characters, except that *single escape* and *multiple escape* characters must nevertheless be preceded by a *single escape* character to be included.

*Много экранирующий символ* также никогда не стоит сам по себе. Все символы между парой *много экранирующих символов* трактуются как *обычный алфавитные символы*, за исключением *одинарного экранирующего символа*, и *много экранирующий символ* FIXME

### 22.1.2 Parsing of Numbers and Symbols

When an extended token is read, it is interpreted as a number or symbol. In general, the token is interpreted as a number if it satisfies the syntax for numbers specified in table 22.3; this is discussed in more detail below.

The characters of the extended token may serve various syntactic functions as shown in table 22.5, but it must be remembered that any character included in a token under the control of an escape character is treated as *alphabetic* rather than according to the attributes shown in the table. One consequence of this rule is that a whitespace, macro, or escape character will always be treated as alphabetic within an extended token because such a character cannot be included in an extended token except under the control of an escape character.

To allow for extensions to the syntax of numbers, a syntax for *potential numbers* is defined in Common Lisp that is more general than the actual syntax for numbers. Any token that is not a potential number and does not consist entirely of dots will always be taken to be a symbol, now and in the future; programs may rely on this fact. Any token that is a potential number but does not fit the actual number syntax defined below is a *reserved token* and has an implementation-dependent interpretation; an implementation may signal an error, quietly treat the token as a symbol, or take some other action. Programmers should avoid the use of such reserved tokens. (A symbol whose name looks like a reserved token can always be written using one or more escape characters.)

Just as *bignum* is the standard term used by Lisp implementors for very large integers, and *flonum* (rhymes with “low hum”) refers to a floating-

Table 22.3: Actual Syntax of Numbers

```

number ::= integer | ratio | floating-point-number
integer ::= [sign] {digit}+ [decimal-point]
ratio ::= [sign] {digit}+ / {digit}+
floating-point-number ::= [sign] {digit}* decimal-point {digit}+ [exponent]
                        | [sign] {digit}+ [decimal-point {digit}*] exponent
sign ::= + | -
decimal-point ::= .
digit ::= 0 | 1 | 2 | 3 | 4 | 5 | 6 | 7 | 8 | 9
exponent ::= exponent-marker [sign] {digit}+
exponent-marker ::= e | s | f | d | l | E | S | F | D | L

```

point number, the term *potnum* has been used widely as an abbreviation for “potential number.” “Potnum” rhymes with “hot rum.”

A token is a potential number if it satisfies the following requirements:

- It consists entirely of digits, signs (+ or -), ratio markers (/), decimal points (.), extension characters (^ or \_), and number markers. (A number marker is a letter. Whether a letter may be treated as a number marker depends on context, but no letter that is adjacent to another letter may ever be treated as a number marker. Floating-point exponent markers are instances of number markers.)
- It contains at least one digit. (Letters may be considered to be digits, depending on the value of **\*read-base\***, but only in tokens containing no decimal points.)
- It begins with a digit, sign, decimal point, or extension character.
- It does not end with a sign.

As examples, the following tokens are potential numbers, but they are *not* actually numbers as defined below, and so are reserved tokens. (They do indicate some interesting possibilities for future extensions.)

1b5000	777777q	1.7J	-3/4+6.7J	12/25/83
27^19	3^4/5	6//7	3.1.2.6	^-43^
3.141_592_653_589_793_238_4			-3.7+2.6i-6.17j+19.6k	

Table 22.4: Standard Constituent Character Attributes

!	<i>alphabetic</i>	<page>	<i>illegal</i>	<backspace>	<i>illegal</i>
"	<i>alphabetic *</i>	<return>	<i>illegal *</i>	<tab>	<i>illegal *</i>
#	<i>alphabetic *</i>	<space>	<i>illegal *</i>	<newline>	<i>illegal *</i>
\$	<i>alphabetic</i>	<rubout>	<i>illegal</i>	<linefeed>	<i>illegal *</i>
%	<i>alphabetic</i>	.	<i>alphabetic, dot, decimal point</i>		
&	<i>alphabetic</i>	+	<i>alphabetic, plus sign</i>		
'	<i>alphabetic *</i>	-	<i>alphabetic, minus sign</i>		
(	<i>alphabetic *</i>	*	<i>alphabetic</i>		
)	<i>alphabetic *</i>	/	<i>alphabetic, ratio marker</i>		
,	<i>alphabetic *</i>	@	<i>alphabetic</i>		
0	<i>alphanumeric</i>	A, a	<i>alphanumeric</i>		
1	<i>alphanumeric</i>	B, b	<i>alphanumeric</i>		
2	<i>alphanumeric</i>	C, c	<i>alphanumeric</i>		
3	<i>alphanumeric</i>	D, d	<i>alphanumeric, double-float exponent marker</i>		
4	<i>alphanumeric</i>	E, e	<i>alphanumeric, float exponent marker</i>		
5	<i>alphanumeric</i>	F, f	<i>alphanumeric, single-float exponent marker</i>		
6	<i>alphanumeric</i>	G, g	<i>alphanumeric</i>		
7	<i>alphanumeric</i>	H, h	<i>alphanumeric</i>		
8	<i>alphanumeric</i>	I, i	<i>alphanumeric</i>		
9	<i>alphanumeric</i>	J, j	<i>alphanumeric</i>		
:	<i>package marker</i>	K, k	<i>alphanumeric</i>		
;	<i>alphabetic *</i>	L, l	<i>alphanumeric, long-float exponent marker</i>		
<	<i>alphabetic</i>	M, m	<i>alphanumeric</i>		
=	<i>alphabetic</i>	N, n	<i>alphanumeric</i>		
>	<i>alphabetic</i>	O, o	<i>alphanumeric</i>		
?	<i>alphabetic</i>	P, p	<i>alphanumeric</i>		
[	<i>alphabetic</i>	Q, q	<i>alphanumeric</i>		
\	<i>alphabetic *</i>	R, r	<i>alphanumeric</i>		
]	<i>alphabetic</i>	S, s	<i>alphanumeric, short-float exponent marker</i>		
^	<i>alphabetic</i>	T, t	<i>alphanumeric</i>		
_	<i>alphabetic</i>	U, u	<i>alphanumeric</i>		
‘	<i>alphabetic *</i>	V, v	<i>alphanumeric</i>		
{	<i>alphabetic</i>	W, w	<i>alphanumeric</i>		
	<i>alphabetic *</i>	X, x	<i>alphanumeric</i>		
}	<i>alphabetic</i>	Y, y	<i>alphanumeric</i>		
~	<i>alphabetic</i>	Z, z	<i>alphanumeric</i>		

These interpretations apply only to characters whose syntactic type is *constituent*. Entries marked with an asterisk are normally shadowed because the characters are of syntactic type *whitespace*, *macro*, *single escape*, or *multiple escape*. An *alphanumeric* character is interpreted as a digit if it is a valid digit in the radix specified by **\*read-base\***; otherwise it is alphabetic. Characters with an *illegal* attribute can never appear in a token except under the control of an escape character.



Table 22.5: Свойства стандартных символов

!	алфавитный	<page>	недопустимый	<backspace>	недопустимый
"	алфавитный *	<return>	недопустимый *	<tab>	недопустимый *
#	алфавитный *	<space>	недопустимый *	<newline>	недопустимый *
\$	алфавитный	<rubout>	недопустимый	<linefeed>	недопустимый *
%	алфавитный	.	алфавитный, точка, разделитель десятичной части		
&	алфавитный	+	алфавитный, знак плюс		
'	алфавитный *	-	алфавитный, знак минус		
(	алфавитный *	*	алфавитный		
)	алфавитный *	/	алфавитный, маркер дроби		
,	алфавитный *	@	алфавитный		
0	алфавитно-цифровой	A, a	алфавитно-цифровой		
1	алфавитно-цифровой	B, b	алфавитно-цифровой		
2	алфавитно-цифровой	C, c	алфавитно-цифровой		
3	алфавитно-цифровой	D, d	алфавитно-цифровой, маркер экспоненты для двойного с плавающей точкой		
4	алфавитно-цифровой	E, e	алфавитно-цифровой, маркер экспоненты для числа с плавающей точкой		
5	алфавитно-цифровой	F, f	алфавитно-цифровой, маркер экспоненты для одинарного с плавающей точкой		
6	алфавитно-цифровой	G, g	алфавитно-цифровой		
7	алфавитно-цифровой	H, h	алфавитно-цифровой		
8	алфавитно-цифровой	I, i	алфавитно-цифровой		
9	алфавитно-цифровой	J, j	алфавитно-цифровой		
:	escape marker	K, k	алфавитно-цифровой		
;	алфавитный *	L, l	алфавитно-цифровой, маркер экспоненты для длинного с плавающей точкой		
<	алфавитный	M, m	алфавитно-цифровой		
=	алфавитный	N, n	алфавитно-цифровой		
>	алфавитный	O, o	алфавитно-цифровой		
?	алфавитный	P, p	алфавитно-цифровой		
[	алфавитный	Q, q	алфавитно-цифровой		
\	алфавитный *	R, r	алфавитно-цифровой		
]	алфавитный	S, s	алфавитно-цифровой, маркер экспоненты для короткого с плавающей точкой		
^	алфавитный	T, t	алфавитно-цифровой		
_	алфавитный	U, u	алфавитно-цифровой		
ˆ	алфавитный *	V, v	алфавитно-цифровой		
{	алфавитный	W, w	алфавитно-цифровой		
	алфавитный *	X, x	алфавитно-цифровой		
}	алфавитный	Y, y	алфавитно-цифровой		
~	алфавитный	Z, z	алфавитно-цифровой		

These interpretations apply only to characters whose syntactic type is *constituent*. Entries marked with an asterisk are normally shadowed because the characters are of syntactic type *whitespace*, *macro*, *single escape*, or *multiple escape*. An *alphanumeric* character is interpreted as a digit if it is a valid digit in the radix specified by **\*read-base\***; otherwise it is alphabetic. Characters with an *illegal* attribute can never appear in a token except under the control of an escape character.

The following tokens are *not* potential numbers but are always treated as symbols:

/	/5	+	1+	1-
foo+	ab.cd	-	^	^-

The following tokens are potential numbers if the value of **\*read-base\*** is **16** (an abnormal situation), but they are always treated as symbols if the value of **\*read-base\*** is **10** (the usual value):

bad-face	25-dec-83	a/b	fad_cafe	f^
----------	-----------	-----	----------	----

It is possible for there to be an ambiguity as to whether a letter should be treated as a digit or as a number marker. In such a case, the letter is always treated as a digit rather than as a number marker.

Note that the printed representation for a potential number may not contain any escape characters. An escape character robs the following character of all syntactic qualities, forcing it to be strictly alphabetic and therefore unsuitable for use in a potential number. For example, all of the following representations are interpreted as symbols, not numbers:

`\256` `25\64` `1.0\E6` `|100|` `3\.14159` `|3/4|` `3\4` `5||`

In each case, removing the escape character(s) would allow the token to be treated as a number.

If a potential number can in fact be interpreted as a number according to the BNF syntax in table 22.3, then a number object of the appropriate type is constructed and returned. It should be noted that in a given implementation it may be that not all tokens conforming to the actual syntax for numbers can actually be converted into number objects. For example, specifying too large or too small an exponent for a floating-point number may make the number impossible to represent in the implementation. Similarly, a ratio with denominator zero (such as **-35/000**) cannot be represented in *any* implementation. In any such circumstance where a token with the syntax of a number cannot be converted to an internal number object, an error is signaled. (On the other hand, an error must not be signaled for specifying too many significant digits for a floating-point number; an appropriately truncated or rounded value should be produced.)

There is an omission in the syntax of numbers as described in table 22.3, in that the syntax does not account for the possible use of letters as digits. The

radix used for reading integers and ratios is normally decimal. However, this radix is actually determined by the value of the variable `*read-base*`, whose initial value is **10**. `*read-base*` may take on any integral value between **2** and **36**; let this value be  $n$ . Then a token  $x$  is interpreted as an integer or ratio in base  $n$  if it could be properly so interpreted in the syntax `# $n$ R $x$`  (see section 22.1.4). So, for example, if the value of `*read-base*` is **16**, then the printed representation

(a small face in a bad place)

would be interpreted as if the following representation had been read with `*read-base*` set to **10**:

(10 small 64206 in 10 2989 place)

because four of the seven tokens in the list can be interpreted as hexadecimal numbers. This facility is intended to be used in reading files of data that for some reason contain numbers not in decimal radix; it may also be used for reading programs written in Lisp dialects (such as MacLisp) whose default number radix is not decimal. Non-decimal constants in Common Lisp programs or portable Common Lisp data files should be written using `#O`, `#X`, `#B`, or `# $n$ R` syntax.

When `*read-base*` has a value greater than **10**, an ambiguity is introduced into the actual syntax for numbers because a letter can serve as either a digit or an exponent marker; a simple example is `1E0` when the value of `*read-base*` is **16**. The ambiguity is resolved in accordance with the general principle that interpretation as a digit is preferred to interpretation as a number marker. The consequence in this case is that if a token can be interpreted as either an integer or a floating-point number, then it is taken to be an integer.

If a token consists solely of dots (with no escape characters), then an error is signaled, except in one circumstance: if the token is a single dot and occurs in a situation appropriate to “dotted list” syntax, then it is accepted as a part of such syntax. Signaling an error catches not only misplaced dots in dotted list syntax but also lists that were truncated by `*print-length*` cutoff, because such lists end with a three-dot sequence (...). Examples:

(a . b) ;A dotted pair of **a** and **b**  
 (a.b) ;A list of one element, the symbol named **a.b**  
 (a. b) ;A list of two elements **a.** and **b**

(a .b)	;A list of two elements <b>a</b> and <b>.b</b>
(a \. b)	;A list of three elements <b>a</b> , <b>.</b> , and <b>b</b>
(a  .  b)	;A list of three elements <b>a</b> , <b>.</b> , and <b>b</b>
(a \... b)	;A list of three elements <b>a</b> , <b>...</b> , and <b>b</b>
(a  ...  b)	;A list of three elements <b>a</b> , <b>...</b> , and <b>b</b>
(a b . c)	;A dotted list of <b>a</b> and <b>b</b> with <b>c</b> at the end
.iot	;The symbol whose name is <b>.iot</b>
(. b)	;Illegal; an error is signaled
(a .)	;Illegal; an error is signaled
(a .. b)	;Illegal; an error is signaled
(a . . b)	;Illegal; an error is signaled
(a b c ...)	;Illegal; an error is signaled

In all other cases, the token is construed to be the name of a symbol. If there are any package markers (colons) in the token, they divide the token into pieces used to control the lookup and creation of the symbol.

If there is a single package marker, and it occurs at the beginning of the token, then the token is interpreted as a keyword, that is, a symbol in the **keyword** package. The part of the token after the package marker must not have the syntax of a number.

If there is a single package marker not at the beginning or end of the token, then it divides the token into two parts. The first part specifies a package; the second part is the name of an external symbol available in that package. Neither of the two parts may have the syntax of a number.

If there are two adjacent package markers not at the beginning or end of the token, then they divide the token into two parts. The first part specifies a package; the second part is the name of a symbol within that package (possibly an internal symbol). Neither of the two parts may have the syntax of a number.

X3J13 voted in March 1988 to clarify that, in the situations described in the preceding three paragraphs, the restriction on the syntax of the parts should be strengthened: none of the parts may have the syntax of even a *potential* number. Tokens such as **:3600**, **:1/2**, and **editor:3.14159** were already ruled out; this clarification further declares that such tokens as **:2^3**, **compiler:1.7J**, and **Christmas:12/25/83** are also in error and therefore should not be used in portable programs. Implementations may differ in their treatment of such package-marked potential numbers.

If a symbol token contains no package markers, then the entire token is

the name of the symbol. The symbol is looked up in the default package, which is the value of the variable **\*package\***.

All other patterns of package markers, including the cases where there are more than two package markers or where a package marker appears at the end of the token, at present do not mean anything in Common Lisp (see chapter 11). It is therefore currently an error to use such patterns in a Common Lisp program. The valid patterns for tokens may be summarized as follows:

<i>nnnnn</i>	a number
<i>xxxxx</i>	a symbol in the current package
<b>:xxxxx</b>	a symbol in the keyword package
<b>ppppp:xxxxx</b>	an external symbol in the <i>ppppp</i> package
<b>ppppp::xxxxx</b>	a (possibly internal) symbol in the <i>ppppp</i> package

where *nnnnn* has the syntax of a number, and *xxxxx* and *ppppp* do not have the syntax of a number.

In accordance with the X3J13 decision noted above, *xxxxx* and *ppppp* may not have the syntax of even a potential number.

#### [Variable] **\*read-base\***

The value of **\*read-base\*** controls the interpretation of tokens by **read** as being integers or ratios. Its value is the radix in which integers and ratios are to be read; the value may be any integer from **2** to **36** (inclusive) and is normally **10** (decimal radix). Its value affects only the reading of integers and ratios. In particular, floating-point numbers are always read in decimal radix. The value of **\*read-base\*** does not affect the radix for rational numbers whose radix is explicitly indicated by **#O**, **#X**, **#B**, or **#nR** syntax or by a trailing decimal point.

Care should be taken when setting **\*read-base\*** to a value larger than **10**, because tokens that would normally be interpreted as symbols may be interpreted as numbers instead. For example, with **\*read-base\*** set to **16** (hexadecimal radix), variables with names such as **a**, **b**, **f**, **bad**, and **face** will be treated by the reader as numbers (with decimal values 10, 11, 15, 2989, and 64206, respectively). The ability to alter the input radix is provided in Common Lisp primarily for the purpose of reading data files in special operators, rather than for the purpose of altering the default radix in which

to read programs. The user is strongly encouraged to use `#O`, `#X`, `#B`, or `#nR` syntax when notating non-decimal constants in programs.

*[Variable]* `*read-suppress*`

When the value of `*read-suppress*` is `nil`, the Lisp reader operates normally. When it is not `nil`, then most of the interesting operations of the reader are suppressed; input characters are parsed, but much of what is read is not interpreted.

The primary purpose of `*read-suppress*` is to support the operation of the read-time conditional constructs `#+` and `#-` (see section 22.1.4). It is important for these constructs to be able to skip over the printed representation of a Lisp expression despite the possibility that the syntax of the skipped expression may not be entirely legal for the current implementation; this is because a primary application of `#+` and `#-` is to allow the same program to be shared among several Lisp implementations despite small incompatibilities of syntax.

A non-`nil` value of `*read-suppress*` has the following specific effects on the Common Lisp reader:

- All extended tokens are completely uninterpreted. It matters not whether the token looks like a number, much less like a valid number; the pattern of package markers also does not matter. An extended token is simply discarded and treated as if it were `nil`; that is, reading an extended token when `*read-suppress*` is non-`nil` simply returns `nil`. (One consequence of this is that the error concerning improper dotted-list syntax will not be signaled.)
- Any standard `#` macro-character construction that requires, permits, or disallows an infix numerical argument, such as `#nR`, will not enforce any constraint on the presence, absence, or value of such an argument.
- The `#\` construction always produces the value `nil`. It will not signal an error even if an unknown character name is seen.
- Each of the `#B`, `#O`, `#X`, and `#R` constructions always scans over a following token and produces the value `nil`. It will not signal an error even if the token does not have the syntax of a rational number.

- The `#*` construction always scans over a following token and produces the value `nil`. It will not signal an error even if the token does not consist solely of the characters `0` and `1`.
- The `#.` construction reads the following form (in suppressed mode, of course) but does not evaluate it. The form is discarded and `nil` is produced.
- Each of the `#A`, `#S`, and `#:` constructions reads the following form (in suppressed mode, of course) but does not interpret it in any way; it need not even be a list in the case of `#S`, or a symbol in the case of `#:`. The form is discarded and `nil` is produced.
- The `#=` construction is totally ignored. It does not read a following form. It produces no object, but is treated as whitespace.
- The `##` construction always produces `nil`.

Note that, no matter what the value of `*read-suppress*`, parentheses still continue to delimit (and construct) lists; the `#(` construction continues to delimit vectors; and comments, strings, and the quote and backquote constructions continue to be interpreted properly. Furthermore, such situations as `'`, `#<`, `#)`, and `#<space>` continue to signal errors.

In some cases, it may be appropriate for a user-written macro-character definition to check the value of `*read-suppress*` and to avoid certain computations or side effects if its value is not `nil`.

*[Variable]* `*read-eval*`

Default value of `*read-eval*` is `t`. If `*read-eval*` is false, the `#.` reader macro signals an error.

Printing is also affected. If `*read-eval*` is false and `*print-readably*` is true, any `print-object` method that would otherwise output a `#.` reader macro must either output something different or signal an error of type `print-not-readable`.

Binding `*read-eval*` to `nil` is useful when reading data that came from an untrusted source, such as a network or a user-supplied data file; it prevents the `#.` reader macro from being exploited as a “Trojan horse” to cause arbitrary forms to be evaluated.

### 22.1.3 Macro Characters

If the reader encounters a macro character, then the function associated with that macro character is invoked and may produce an object to be returned. This function may read following characters in the stream in whatever syntax it likes (it may even call **read** recursively) and return the object represented by that syntax. Macro characters may or may not be recognized, of course, when read as part of other special syntaxes (such as for strings).

The reader is therefore organized into two parts: the basic dispatch loop, which also distinguishes symbols and numbers, and the collection of macro characters. Any character can be reprogrammed as a macro character; this is a means by which the reader can be extended. The macro characters normally defined are as follows:

- ( The left-parenthesis character initiates reading of a pair or list. The function **read** is called recursively to read successive objects until a right parenthesis is found to be next in the input stream. A list of the objects read is returned. Thus the input sequence

```
(a b c)
```

is read as a list of three objects (the symbols **a**, **b**, and **c**). The right parenthesis need not immediately follow the printed representation of the last object; whitespace characters and comments may precede it. This can be useful for putting one object on each line and making it easy to add new objects:

```
(defun traffic-light (color)
  (case color
    (green)
    (red (stop))
    (amber (accelerate))    ;Insert more colors after this line
  ))
```

It may be that *no* objects precede the right parenthesis, as in `()` or `( )`; this reads as a list of zero objects (the empty list).

If a token that is just a dot, not preceded by an escape character, is read after some object, then exactly one more object must follow the dot, possibly followed by whitespace, followed by the right parenthesis:



(a b c . d)

This means that the *cdr* of the last pair in the list is not **nil**, but rather the object whose representation followed the dot. The above example might have been the result of evaluating

(cons 'a (cons 'b (cons 'c 'd)))  $\Rightarrow$  (a b c . d)

Similarly, we have

(cons 'znets 'wolq-zorbitan)  $\Rightarrow$  (znets . wolq-zorbitan)

It is permissible for the object following the dot to be a list:

(a b c d . (e f . (g)))

is the same as

(a b c d e f g)

but a list following a dot is a non-standard form that **print** will never produce.

- ) The right-parenthesis character is part of various constructs (such as the syntax for lists) using the left-parenthesis character and is invalid except when used in such a construct.

- ' The single-quote (accent acute) character provides an abbreviation to make it easier to put constants in programs. The form **'foo** reads the same as **(quote foo)**: a list of the symbol **quote** and *foo*.
- ; Semicolon is used to write comments. The semicolon and all characters up to and including the next newline are ignored. Thus a comment can be put at the end of any line without affecting the reader. (A comment will terminate a token, but a newline would terminate the token anyway.)

There is no functional difference between using one semicolon and using more than one, but the conventions shown here are in common use.

```

;;; COMMENT-EXAMPLE function.
;;; This function is useless except to demonstrate comments.
;;; (Actually, this example is much too cluttered with them.)

(defun comment-example (x y)      ;X is anything; Y is an a-list.
  (cond ((listp x)                ;If X is a list, use that.
        ;; X is now not a list. There are two other cases.
        ((symbolp x)
         ;; Look up a symbol in the a-list.
         (cdr (assoc x y)))      ;Remember, (cdr nil) is nil.
        ;; Do this when all else fails:
        (t (cons x
                  ;Add x to a default list.
                  '((lisp t)      ;LISP is okay.
                    (fortran nil) ;FORTRAN is not.
                    (pl/i -500)  ;Note that you can put comments in
                    (ada .001)   ; "data" as well as in "programs".
                    ;; COBOL??
                    (teco -1.0e9)))))))

```

In this example, comments may begin with one to four semicolons.

- Single-semicolon comments are all aligned to the same column at the right; usually each comment concerns only the code it is next to. Occasionally a comment is long enough to occupy two or three lines; in this case, it is conventional to indent the continued lines of the comment one space (after the semicolon).

- Double-semicolon comments are aligned to the level of indentation of the code. A space conventionally follows the two semicolons. Such comments usually describe the state of the program at that point or the code section that follows the comment.
- Triple-semicolon comments are aligned to the left margin. They usually document whole programs or large code blocks.
- Quadruple-semicolon comments usually indicate titles of whole programs or large code blocks.

" The double quote character begins the printed representation of a string. Successive characters are read from the input stream and accumulated until another double quote is encountered. An exception to this occurs if a *single escape* character is seen; the escape character is discarded, the next character is accumulated, and accumulation continues. When a matching double quote is seen, all the accumulated characters up to but not including the matching double quote are made into a simple string and returned.

‘ The backquote (accent grave) character makes it easier to write programs to construct complex data structures by using a template.

As an example, writing

```
‘(cond ((numberp ,x) ,@y) (t (print ,x) ,@y))
```

is roughly equivalent to writing

```
(list 'cond
      (cons (list 'numberp x) y)
      (list* 't (list 'print x) y))
```

The general idea is that the backquote is followed by a template, a picture of a data structure to be built. This template is copied, except that within the template commas can appear. Where a comma occurs, the form following the comma is to be evaluated to produce an object to be inserted at that point. Assume **b** has the value **3**; then evaluating the form denoted by **‘(a b ,b ,( + b 1) b)** produces the result **(a b 3 4 b)**.

If a comma is immediately followed by an at-sign (**@**), then the form following the at-sign is evaluated to produce a *list* of objects. These objects are then “spliced” into place in the template. For example, if **x** has the value **(a b c)**, then

```
‘(x ,x ,@x foo ,(cadr x) bar ,(cdr x) baz ,@(cdr x))
⇒ (x (a b c) a b c foo b bar (b c) baz b c)
```

The backquote syntax can be summarized formally as follows. For each of several situations in which backquote can be used, a possible interpretation of that situation as an equivalent form is given. Note that the form is equivalent only in the sense that when it is evaluated it will calculate the correct result. An implementation is quite free to interpret backquote in any way such that a backquoted form, when evaluated, will produce a result **equal** to that produced by the interpretation shown here.

- ‘*basic* is the same as ‘*basic*, that is, (**quote basic**), for any form *basic* that is not a list or a general vector.
- ‘,*form* is the same as *form*, for any *form*, provided that the representation of *form* does not begin with “**@**” or “**.**”. (A similar caveat holds for all occurrences of a form after a comma.)
- ‘,**@form** is an error.
- ‘(*x1 x2 x3 ... xn . atom*) may be interpreted to mean  
(append [*x1*] [*x2*] [*x3*] ... [*xn*] (quote *atom*))

where the brackets are used to indicate a transformation of an *xj* as follows:

- [*form*] is interpreted as (**list ‘form**), which contains a backquoted form that must then be further interpreted.
- [,*form*] is interpreted as (**list form**).
- [,**@form**] is interpreted simply as *form*.
- ‘(*x1 x2 x3 ... xn . ,form*) may be interpreted to mean the same as the backquoted form ‘(*x1 x2 x3 ... xn . nil*), thereby reducing it to the previous case.
- ‘(*x1 x2 x3 ... xn . ,form*) may be interpreted to mean

(append [*x1*] [*x2*] [*x3*] ... [*xn*] *form*)

where the brackets indicate a transformation of an *xj* as described above.

- ‘(*x1 x2 x3 ... xn* . ,@*form*)’ is an error.
- ‘#(*x1 x2 x3 ... xn*)’ may be interpreted to mean  
(apply #'vector ‘(*x1 x2 x3 ... xn*))

No other uses of comma are permitted; in particular, it may not appear within the #**A** or #**S** syntax.

Anywhere “,@” may be used, the syntax “,.” may be used instead to indicate that it is permissible to destroy the list produced by the form following the “,.”; this may permit more efficient code, using **nconc** instead of **append**, for example.

If the backquote syntax is nested, the innermost backquoted form should be expanded first. This means that if several commas occur in a row, the leftmost one belongs to the innermost backquote.

Once again, it is emphasized that an implementation is free to interpret a backquoted form as any form that, when evaluated, will produce a result that is **equal** to the result implied by the above definition. In particular, no guarantees are made as to whether the constructed copy of the template will or will not share list structure with the template itself. As an example, the above definition implies that

‘((,a b) ,c ,@d)

will be interpreted as if it were

(append (list (append (list a) (list 'b) 'nil)) (list c) d 'nil)

but it could also be legitimately interpreted to mean any of the following.

(append (list (append (list a) (list 'b))) (list c) d)

(append (list (append (list a) 'b)) (list c) d)

(append (list (cons a 'b)) (list c) d)

(list\* (cons a 'b) c d)

(list\* (cons a (list 'b)) c d)

(list\* (cons a 'b) c (copy-list d))

(There is no good reason why **copy-list** should be performed, but it is not prohibited.)

Some users complain that backquote syntax is difficult to read, especially when it is nested. I agree that it can get complicated, but in some situations (such as writing macros that expand into definitions for other macros) such complexity is to be expected, and the alternative is much worse.

After I gained some experience in writing nested backquote forms, I found that I was not stopping to analyze the various patterns of nested backquotes and interleaved commas and quotes; instead, I was recognizing standard idioms wholesale, in the same manner that I recognize **cadar** as the primitive for “extract the lambda-list from the form **((lambda ...) ...)**” without stopping to analyze it into “**car** of **cdr** of **car**.” For example, **,x** within a doubly-nested backquote form means “the value of **x** available during the second evaluation will appear here once the form has been twice evaluated,” whereas **,',x** means “the value of **x** available during the first evaluation will appear here once the form has been twice evaluated” and **,,x** means “the value of the value of **x** will appear here.”

See appendix ?? for a systematic set of examples of the use of nested backquotes.

, The comma character is part of the backquote syntax and is invalid if used other than inside the body of a backquote construction as described above.

# This is a *dispatching* macro character. It reads an optional digit string and then one more character, and uses that character to select a function to run as a macro-character function.

The # character also happens to be a non-terminating macro character. This is completely independent of the fact that it is a dispatching macro character; it is a coincidence that the only standard dispatching macro character in Common Lisp is also the only standard non-terminating macro character.

See the next section for predefined # macro-character constructions.

### 22.1.4 Standard Dispatching Macro Character Syntax

The standard syntax includes forms introduced by the `#` character. These take the general form of a `#`, a second character that identifies the syntax, and following arguments in some form. If the second character is a letter, then case is not important; `#O` and `#o` are considered to be equivalent, for example.

Certain `#` forms allow an unsigned decimal number to appear between the `#` and the second character; some other forms even require it. Those forms that do not explicitly permit such a number to appear forbid it.

The currently defined `#` constructs are described below and summarized in table 22.6; more are likely to be added in the future. However, the constructs `#!`, `#?`, `#[`, `#]`, `#{`, and `#}` are explicitly reserved for the user and will never be defined by the Common Lisp standard.

`#\ #\x` reads in as a character object that represents the character *x*.

Also, `#\name` reads in as the character object whose name is *name*. Note that the backslash `\` allows this construct to be parsed easily by EMACS-like editors.

In the single-character case, the character *x* must be followed by a non-constituent character, lest a *name* appear to follow the `#\`. A good model of what happens is that after `#\` is read, the reader backs up over the `\` and then reads an extended token, treating the initial `\` as an escape character (whether it really is or not in the current readtable).

Uppercase and lowercase letters are distinguished after `#\`; `#\A` and `#\a` denote different character objects. Any character works after `#\`, even those that are normally special to **read**, such as parentheses. Non-printing characters may be used after `#\`, although for them names are generally preferred.

`#\name` reads in as a character object whose name is *name* (actually, whose name is (**string-upcase** *name*)); therefore the syntax is case-insensitive). The *name* should have the syntax of a symbol. The following names are standard across all implementations:

<b>newline</b>	The character that represents the division between lines
<b>space</b>	The space or blank character

The following names are semi-standard; if an implementation supports them, they should be used for the described characters and no others.



Table 22.6: Standard # Macro Character Syntax

<code>#!</code>	<i>undefined *</i>	<code>#&lt;backspace&gt;</code>	<i>signals error</i>
<code>#"</code>	<i>undefined</i>	<code>#&lt;tab&gt;</code>	<i>signals error</i>
<code>##</code>	<i>reference to #= label</i>	<code>#&lt;newline&gt;</code>	<i>signals error</i>
<code>#\$</code>	<i>undefined</i>	<code>#&lt;linefeed&gt;</code>	<i>signals error</i>
<code>##%</code>	<i>undefined</i>	<code>#&lt;page&gt;</code>	<i>signals error</i>
<code>#&amp;</code>	<i>undefined</i>	<code>#&lt;return&gt;</code>	<i>signals error</i>
<code>#'</code>	<b>function</b> <i>abbreviation</i>	<code>#&lt;space&gt;</code>	<i>signals error</i>
<code>#(</code>	<i>simple vector</i>	<code>#+</code>	<i>read-time conditional</i>
<code>#)</code>	<i>signals error</i>	<code>#-</code>	<i>read-time conditional</i>
<code>#*</code>	<i>bit-vector</i>	<code>#.</code>	<i>read-time evaluation</i>
<code>#,</code>	<i>load-time evaluation</i>	<code>#/</code>	<i>undefined</i>
<code>#0</code>	<i>used for infix arguments</i>	<code>#A, #a</code>	<i>array</i>
<code>#1</code>	<i>used for infix arguments</i>	<code>#B, #b</code>	<i>binary rational</i>
<code>#2</code>	<i>used for infix arguments</i>	<code>#C, #c</code>	<i>complex number</i>
<code>#3</code>	<i>used for infix arguments</i>	<code>#D, #d</code>	<i>undefined</i>
<code>#4</code>	<i>used for infix arguments</i>	<code>#E, #e</code>	<i>undefined</i>
<code>#5</code>	<i>used for infix arguments</i>	<code>#F, #f</code>	<i>undefined</i>
<code>#6</code>	<i>used for infix arguments</i>	<code>#G, #g</code>	<i>undefined</i>
<code>#7</code>	<i>used for infix arguments</i>	<code>#H, #h</code>	<i>undefined</i>
<code>#8</code>	<i>used for infix arguments</i>	<code>#I, #i</code>	<i>undefined</i>
<code>#9</code>	<i>used for infix arguments</i>	<code>#J, #j</code>	<i>undefined</i>
<code>#:</code>	<i>uninterned symbol</i>	<code>#K, #k</code>	<i>undefined</i>
<code>#;</code>	<i>undefined</i>	<code>#L, #l</code>	<i>undefined</i>
<code>#&lt;</code>	<i>signals error</i>	<code>#M, #m</code>	<i>undefined</i>
<code>#=</code>	<i>label following object</i>	<code>#N, #n</code>	<i>undefined</i>
<code>#&gt;</code>	<i>undefined</i>	<code>#O, #o</code>	<i>octal rational</i>
<code>#?</code>	<i>undefined *</i>	<code>#P, #p</code>	<i>pathname</i>
<code>#@</code>	<i>undefined</i>	<code>#Q, #q</code>	<i>undefined</i>
<code>#[</code>	<i>undefined *</i>	<code>#R, #r</code>	<i>radix-n rational</i>
<code>#\</code>	<i>character object</i>	<code>#S, #s</code>	<i>structure</i>
<code>#]</code>	<i>undefined *</i>	<code>#T, #t</code>	<i>undefined</i>
<code>#^</code>	<i>undefined</i>	<code>#U, #u</code>	<i>undefined</i>
<code>#_</code>	<i>undefined</i>	<code>#V, #v</code>	<i>undefined</i>
<code>#`</code>	<i>undefined</i>	<code>#W, #w</code>	<i>undefined</i>
<code>#{</code>	<i>undefined *</i>	<code>#X, #x</code>	<i>hexadecimal rational</i>
<code># </code>	<i>balanced comment</i>	<code>#Y, #y</code>	<i>undefined</i>
<code>#}</code>	<i>undefined *</i>	<code>#Z, #z</code>	<i>undefined</i>
<code>#~</code>	<i>undefined</i>	<code>#&lt;rubout&gt;</code>	<i>undefined</i>

The combinations marked by an asterisk are explicitly reserved to the user and will never be defined by Common Lisp.

<b>rubout</b>	The rubout or delete character.
<b>page</b>	The form-feed or page-separator character
<b>tab</b>	The tabulate character
<b>backspace</b>	The backspace character
<b>return</b>	The carriage return character
<b>linefeed</b>	The line-feed character

In some implementations, one or more of these characters might be a synonym for a standard character; the `#\Linefeed` character might be the same as `#\Newline`, for example.

When the Lisp printer types out the name of a special character, it uses the same table as the `#\` reader; therefore any character name you see typed out is acceptable as input (in that implementation). Standard names are always preferred over non-standard names for printing.

The following convention is used in implementations that support non-zero bits attributes for character objects. If a name after `#\` is longer than one character and has a hyphen in it, then it may be split into the two parts preceding and following the first hyphen; the first part (actually, **string-upcase** of the first part) may then be interpreted as the name or initial of a bit, and the second part as the name of the character (which may in turn contain a hyphen and be subject to further splitting). For example:

```
#\Control-Space      #\Control-Meta-Tab
#\C-M-Return        #\H-S-M-C-Rubout
```

If the character name consists of a single character, then that character is used. Another `\` may be necessary to quote the character.

```
#\Control-%         #\Control-Meta-\
#\Control-\a        #\Meta->
```

If an unsigned decimal integer appears between the `#` and `\`, it is interpreted as a font number, to become the font attribute of the character object (see **char-font**).

X3J13 voted in March 1989 to replace the notion of bits and font attributes with that of implementation-defined attributes. Presumably

this eliminates the portable use of this syntax for font information, although the vote did not address this question directly.

**#'** **#'foo** is an abbreviation for (**function foo**). *foo* may be the printed representation of any Lisp object. This abbreviation may be remembered by analogy with the ' macro character, since the **function** and **quote** special operators are similar in form.

**#(** A series of representations of objects enclosed by **#(** and **)** is read as a simple vector of those objects. This is analogous to the notation for lists.

If an unsigned decimal integer appears between the **#** and **(**, it specifies explicitly the length of the vector. In that case, it is an error if too many objects are specified before the closing **)**, and if too few are specified, the last object (it is an error if there are none in this case) is used to fill all remaining elements of the vector. For example,

**#(a b c c c c)**    **#6(a b c c c c)**    **#6(a b c)**    **#6(a b c c)**

all mean the same thing: a vector of length 6 with elements **a**, **b**, and four instances of **c**. The notation **#()** denotes an empty vector, as does **#0()** (which is legitimate because it is not the case that too few elements are specified).

**#\*** A series of binary digits (**0** and **1**) preceded by **#\*** is read as a simple bit-vector containing those bits, the leftmost bit in the series being bit 0 of the bit-vector.

If an unsigned decimal integer appears between the **#** and **\***, it specifies explicitly the length of the vector. In that case, it is an error if too many bits are specified, and if too few are specified the last one (it is an error if there are none in this case) is used to fill all remaining elements of the bit-vector. For example,

**#\*101111**    **#6\*101111**    **#6\*101**    **#6\*1011**

all mean the same thing: a vector of length 6 with elements **1**, **0**, **1**, **1**, **1**, and **1**. The notation **#\*** denotes an empty bit-vector, as does **#0\*** (which is legitimate because it is not the case that too few elements are specified). Compare this to **#B**, used for expressing integers in binary notation.

**#:** **#:foo** requires *foo* to have the syntax of an unqualified symbol name (no embedded colons). It denotes an *uninterned* symbol whose name is *foo*. Every time this syntax is encountered, a different uninterned symbol is created. If it is necessary to refer to the same uninterned symbol more than once in the same expression, the **#=** syntax may be useful.

**#.** **#.foo** is read as the object resulting from the evaluation of the Lisp object represented by *foo*, which may be the printed representation of any Lisp object. The evaluation is done during the **read** process, when the **#.** construct is encountered.

X3J13 voted in June 1989 to add a new reader control variable, **\*read-eval\***. If it is true, the **#.** reader macro behaves as described above; if it is false, the **#.** reader macro signals an error.

The **#.** syntax therefore performs a read-time evaluation of *foo*. By contrast, **#**, (see below) performs a load-time evaluation.

Both **#.** and **#**, allow you to include, in an expression being read, an object that does not have a convenient printed representation; instead of writing a representation for the object, you write an expression that will *compute* the object.

**#B** **#brational** reads *rational* in binary (radix 2). For example, **#B1101**  $\equiv$  **13**, and **#b101/11**  $\equiv$  **5/3**. Compare this to **#\***, used for expressing bit-vectors in binary notation.

**#O** **#orational** reads *rational* in octal (radix 8). For example, **#o37/15**  $\equiv$  **31/13**, and **#o777**  $\equiv$  **511**.

**#X** **#xrational** reads *rational* in hexadecimal (radix 16). The digits above **9** are the letters **A** through **F** (the lowercase letters **a** through **f** are also acceptable). For example, **#xF00**  $\equiv$  **3840**.

**#nR** **#radixrrational** reads *rational* in radix *radix*. *radix* must consist of only digits, and it is read in decimal; its value must be between 2 and 36 (inclusive).

For example, **#3r102** is another way of writing **11**, and **#11R32** is another way of writing **35**. For radices larger than 10, letters of the alphabet are used in order for the digits after **9**.

**#nA** The syntax **#nAobject** constructs an *n*-dimensional array, using *object* as the value of the **:initial-contents** argument to **make-array**.

The value of *n* makes a difference: **#2A((0 1 5) (foo 2 (hot dog)))**, for example, represents a 2-by-3 matrix:

```
0      1      5
foo    2      (hot dog)
```

In contrast, **#1A((0 1 5) (foo 2 (hot dog)))** represents a length-2 array whose elements are lists:

```
(0 1 5) (foo 2 (hot dog))
```

Furthermore, **#0A((0 1 5) (foo 2 (hot dog)))** represents a zero-dimensional array whose sole element is a list:

```
((0 1 5) (foo 2 (hot dog)))
```

Similarly, **#0Afoo** (or, more readably, **#0A foo**) represents a zero-dimensional array whose sole element is the symbol **foo**. The expression **#1Afoo** would not be legal because **foo** is not a sequence.

**#S** The syntax **#s(name slot1 value1 slot2 value2 ...)** denotes a structure. This is legal only if *name* is the name of a structure already defined by **defstruct** and if the structure has a standard constructor macro, which it normally will. Let *cm* stand for the name of this constructor macro; then this syntax is equivalent to

```
#.(cm keyword1 'value1 keyword2 'value2 ...)
```

where each *keyword<sub>j</sub>* is the result of computing

```
(intern (string slotj) 'keyword)
```

(This computation is made so that one need not write a colon in front of every slot name.) The net effect is that the constructor macro is called with the specified slots having the specified values (note that one does not write quote marks in the `#S` syntax). Whatever object the constructor macro returns is returned by the `#S` syntax.

`#P` X3J13 voted in June 1989 to define the reader syntax `#p"..."` to be equivalent to `#.(parse-namestring "...")`. Presumably this was meant to be taken descriptively and not literally. I would think, for example, that the committee did not wish to quibble over the package in which the name `parse-namestring` was to be read. Similarly, I would presume that the `#p` syntax operates normally rather than signaling an error when `*read-eval*` is false. I interpret the intent of the vote to be that `#p` reads a following form, which should be a string, that is then converted to a pathname as if by application of the standard function `parse-namestring`.

`#n=` The syntax `#n=object` reads as whatever Lisp object has *object* as its printed representation. However, that object is labelled by *n*, a required unsigned decimal integer, for possible reference by the syntax `#n#` (below). The scope of the label is the expression being read by the outermost call to `read`. Within this expression the same label may not appear twice.

`#n#` The syntax `#n#`, where *n* is a required unsigned decimal integer, serves as a reference to some object labelled by `#n=`; that is, `#n#` represents a pointer to the same identical (`eq`) object labelled by `#n=`. This permits notation of structures with shared or circular substructure. For example, a structure created in the variable `y` by this code:

```
(setq x (list 'p 'q))
(setq y (list (list 'a 'b) x 'foo x))
(rplacd (last y) (cdr y))
```

could be represented in this way:

```
((a b) . #1=(#2=(p q) foo #2# . #1#))
```

Without this notation, but with `*print-length*` set to `10`, the structure would print in this way:

```
((a b) (p q) foo (p q) (p q) foo (p q) (p q) foo (p q) ...)
```

A reference `#n#` may occur only after a label `#n=`; forward references are not permitted. In addition, the reference may not appear as the labelled object itself (that is, one may not write `#n= #n#`), because the object labelled by `#n=` is not well defined in this case.

`#+` The `#+` syntax provides a read-time conditionalization facility; the syntax is

```
#+feature form
```

If *feature* is “true,” then this syntax represents a Lisp object whose printed representation is *form*. If *feature* is “false,” then this syntax is effectively whitespace; it is as if it did not appear.

The *feature* should be the printed representation of a symbol or list. If *feature* is a symbol, then it is true if and only if it is a member of the list that is the value of the global variable `*features*`.

Otherwise, *feature* should be a Boolean expression composed of **and**, **or**, and **not** operators on (recursive) *feature* expressions.

For example, suppose that in implementation A the features **spice** and **perq** are true, and in implementation B the feature **lisp** is true. Then the expressions on the left below are read the same as those on the right in implementation A:

```
(cons #+spice "Spice" #+lisp "Lisp" x)      (cons "Spice" x)
(setq a '(1 2 #+perq 43 #+(not perq) 27))    (setq a '(1 2 43))
(let ((a 3) #+(or spice lisp) (b 3))        (let ((a 3) (b 3))
  (foo a))                                   (foo a))
(cons a #+perq #-perq b c)                  (cons a c)
```

In implementation B, however, they are read in this way:

```
(cons #+spice "Spice" #+lisp "Lisp" x)      (cons "Lisp" x)
(setq a '(1 2 #+perq 43 #+(not perq) 27))    (setq a '(1 2 27))
(let ((a 3) #+(or spice lisp) (b 3))        (let ((a 3) (b 3))
  (foo a))                                   (foo a))
(cons a #+perq #-perq b c)                  (cons a c)
```

The `#+` construction must be used judiciously if unreadable code is not to result. The user should make a careful choice between read-time conditionalization and run-time conditionalization.

The `#+` syntax operates by first reading the *feature* specification and then skipping over the *form* if the *feature* is “false.” This skipping of a form is a bit tricky because of the possibility of user-defined macro characters and side effects caused by the `#.` construction. It is accomplished by binding the variable `*read-suppress*` to a non-`nil` value and then calling the `read` function. See the description of `*read-suppress*` for the details of this operation.

X3J13 voted in March 1988 to specify that the `keyword` package is the default package during the reading of a feature specification. Thus `#+spice` means the same thing as `#+:spice`, and `#+(or spice lisp)` means the same thing as `#+(or :spice :lisp)`. Symbols in other packages may be used as feature names, but one must use an explicit package prefix to cite one after `#+`.

`#-` `#-feature form` is equivalent to `#+(not feature) form`.

`#|` `#|...|#` is treated as a comment by the reader, just as everything from a semicolon to the next newline is treated as a comment. Anything may appear in the comment, except that it must be balanced with respect to other occurrences of `#|` and `|#`. Except for this nesting rule, the comment may contain any characters whatsoever.

The main purpose of this construct is to allow “commenting out” of blocks of code or data. The balancing rule allows such blocks to contain pieces already so commented out. In this respect the `#|...|#` syntax of Common Lisp differs from the `/*...*/` comment syntax used by PL/I and C.

`#<` This is not legal reader syntax. It is conventionally used in the printed representation of objects that cannot be read back in. Attempting to read a `#<` will cause an error. (More precisely, it *is* legal syntax, but the macro-character function for `#<` signals an error.)

The usual convention for printing unreadable data objects is to print some identifying information (the internal machine address of the object, if nothing else) preceded by `#<` and followed by `>`.



X3J13 voted in June 1989 to add **print-unreadable-object**, a macro that prints an object using `#<...>` syntax and also takes care of checking the variable **\*print-readably\***.

`#<space>`, `#<tab>`, `#<newline>`, `#<page>`, `#<return>` A `#` followed by a whitespace character is not legal reader syntax. This prevents abbreviated forms produced via **\*print-level\*** cutoff from reading in again, as a safeguard against losing information. (More precisely, this *is* legal syntax, but the macro-character function for it signals an error.)

`#)` This is not legal reader syntax. This prevents abbreviated forms produced via **\*print-level\*** cutoff from reading in again, as a safeguard against losing information. (More precisely, this *is* legal syntax, but the macro-character function for it signals an error.)

### 22.1.5 The Readtable

Previous sections describe the standard syntax accepted by the **read** function. This section discusses the advanced topic of altering the standard syntax either to provide extended syntax for Lisp objects or to aid the writing of other parsers.

There is a data structure called the *readtable* that is used to control the reader. It contains information about the syntax of each character equivalent to that in table 22.2. It is set up exactly as in table 22.2 to give the standard Common Lisp meanings to all the characters, but the user can change the meanings of characters to alter and customize the syntax of characters. It is also possible to have several readtables describing different syntaxes and to switch from one to another by binding the variable **\*readtable\***.

*[Variable]* **\*readtable\***

The value of **\*readtable\*** is the current readtable. The initial value of this is a readtable set up for standard Common Lisp syntax. You can bind this variable to temporarily change the readtable being used.

To program the reader for a different syntax, a set of functions are provided for manipulating readtables. Normally, you should begin with a copy of the standard Common Lisp readtable and then customize the individual characters within that copy.

[Function] **copy-readtable** &optional *from-readtable to-readtable*

A copy is made of *from-readtable*, which defaults to the current readtable (the value of the global variable **\*readtable\***). If *from-readtable* is **nil**, then a copy of a standard Common Lisp readtable is made. For example,

```
(setq *readtable* (copy-readtable nil))
```

will restore the input syntax to standard Common Lisp syntax, even if the original readtable has been clobbered (assuming it is not so badly clobbered that you cannot type in the above expression!). On the other hand,

```
(setq *readtable* (copy-readtable))
```

will merely replace the current readtable with a copy of itself.

If *to-readtable* is unsupplied or **nil**, a fresh copy is made. Otherwise, *to-readtable* must be a readtable, which is destructively copied into.

[Function] **readtablep** *object*

**readtablep** is true if its argument is a readtable, and otherwise is false.

```
(readtablep x) ≡ (typep x 'readtable)
```

[Function] **set-syntax-from-char** *to-char from-char* &optional *to-readtable from-readtable*

This makes the syntax of *to-char* in *to-readtable* be the same as the syntax of *from-char* in *from-readtable*. The *to-readtable* defaults to the current readtable (the value of the global variable **\*readtable\***), and *from-readtable* defaults to **nil**, meaning to use the syntaxes from the standard Lisp readtable. X3J13 voted in January 1989 to clarify that the *to-char* and *from-char* must each be a character.

Only attributes as shown in table 22.2 are copied; moreover, if a *macro character* is copied, the macro definition function is copied also. However, attributes as shown in table 22.5 are not copied; they are “hard-wired” into the extended-token parser. For example, if the definition of **S** is copied to **\***, then **\*** will become a *constituent* that is *alphabetic* but cannot be used as an exponent indicator for short-format floating-point number syntax.

It works to copy a macro definition from a character such as **"** to another character; the standard definition for **"** looks for another character that is the

same as the character that invoked it. It doesn't work to copy the definition of ( to {, for example; it can be done, but it lets one write lists in the form {**a b c**), not {**a b c**}, because the definition always looks for a closing parenthesis, not a closing brace. See the function **read-delimited-list**, which is useful in this connection.

The **set-syntax-from-char** function returns **t**.

[Function] **set-macro-character** *char function* &optional  
*non-terminating-p readtable*

[Function] **get-macro-character** *char* &optional *readtable*

**set-macro-character** causes *char* to be a macro character that when seen by **read** causes *function* to be called. If *non-terminating-p* is not **nil** (it defaults to **nil**), then it will be a non-terminating macro character: it may be embedded within extended tokens. **set-macro-character** returns **t**.

**get-macro-character** returns the function associated with *char* and, as a second value, returns the *non-terminating-p* flag; it returns **nil** if *char* does not have macro-character syntax. In each case, *readtable* defaults to the current readtable.

If **nil** is explicitly passed as the second argument to **get-macro-character**, then the standard readtable is used. This is consistent with the behavior of **copy-readtable**.

The *function* is called with two arguments, *stream* and *char*. The *stream* is the input stream, and *char* is the macro character itself. In the simplest case, *function* may return a Lisp object. This object is taken to be that whose printed representation was the macro character and any following characters read by the *function*. As an example, a plausible definition of the standard single quote character is:

```
(defun single-quote-reader (stream char)
  (declare (ignore char))
  (list 'quote (read stream t nil t)))
```

```
(set-macro-character #' #'single-quote-reader)
```

(Note that **t** is specified for the *recursive-p* argument to **read**; see section 22.2.1.) The function reads an object following the single-quote and returns a list of the symbol **quote** and that object. The *char* argument is ignored.

The function may choose instead to return *zero* values (for example, by using **(values)** as the return expression). In this case, the macro character and whatever it may have read contribute nothing to the object being read. As an example, here is a plausible definition for the standard semicolon (comment) character:

```
(defun semicolon-reader (stream char)
  (declare (ignore char))
  ;; First swallow the rest of the current input line.
  ;; End-of-file is acceptable for terminating the comment.
  (do () ((char= (read-char stream nil #\Newline t) #\Newline)))
  ;; Return zero values.
  (values))

(set-macro-character #\; #'semicolon-reader)
```

(Note that **t** is specified for the *recursive-p* argument to **read-char**; see section 22.2.1.)

The *function* should not have any side effects other than on the *stream*. Because of backtracking and restarting of the **read** operation, front ends (such as editors and rubout handlers) to the reader may cause *function* to be called repeatedly during the reading of a single expression in which the macro character only appears once.

Here is an example of a more elaborate set of read-macro characters that I used in the implementation of the original simulator for Connection Machine Lisp [44, 57], a parallel dialect of Common Lisp. This simulator was used to gain experience with the language before freezing its design for full-scale implementation on a Connection Machine computer system. This example illustrates the typical manner in which a language designer can embed a new language within the syntactic and semantic framework of Lisp, saving the effort of designing an implementation from scratch.

Connection Machine Lisp introduces a new data type called a *xapping*, which is simply an unordered set of ordered pairs of Lisp objects. The first element of each pair is called the *index* and the second element the *value*. We say that the xapping maps each index to its corresponding value. No two pairs of the same xapping may have the same (that is, **eql**) index. Xappings may be finite or infinite sets of pairs; only certain kinds of infinite xappings are required, and special representations are used for them.

A finite xapping is notated by writing the pairs between braces, separated by whitespace. A pair is notated by writing the index and the value, separated by a right arrow (or an exclamation point if the host Common Lisp has no right-arrow character).

---

**Remark:** The original language design used the right arrow; the exclamation point was chosen to replace it on ASCII-only terminals because it is one of the six characters [ ] { } ! ? reserved by Common Lisp to the user.

While preparing the  $\text{\TeX}$  manuscript for this book I made a mistake in font selection and discovered that by an absolutely incredible coincidence the right arrow has the same numerical code (octal 41) within  $\text{\TeX}$  fonts as the ASCII exclamation point. The result was that although the manuscript called for right arrows, exclamation points came out in the printed copy. Imagine my astonishment!

---

Here is an example of a xapping that maps three symbols to strings:

```
{moe⇒"Oh, a wise guy, eh?" larry⇒"Hey, what's the idea?"
 curly⇒"Nyuk, nyuk, nyuk!"}
```

For convenience there are certain abbreviated notations. If the index and value for a pair are the same object  $x$ , then instead of having to write “ $x⇒x$ ” (or, worse yet, “ $\#43=x⇒\#43\#$ ”) we may write simply  $x$  for the pair. If all pairs of a xapping are of this form, we call the xapping a *xet*. For example, the notation

```
{baseball chess cricket curling bocce 43-man-squamish}
```

is entirely equivalent in meaning to

```
{baseball⇒baseball curling⇒curling cricket⇒cricket
 chess⇒chess bocce⇒bocce 43-man-squamish⇒43-man-squamish}
```

namely a *xet* of symbols naming six sports.

Another useful abbreviation covers the situation where the  $n$  pairs of a finite xapping are integers, collectively covering a range from zero to  $n - 1$ . This kind of xapping is called a *xector* and may be notated by writing the values between brackets in ascending order of their indices. Thus

```
[tinker evers chance]
```

is merely an abbreviation for

```
{tinker⇒0 evers⇒1 chance⇒2}
```

There are two kinds of infinite xapping: constant and universal. A constant xapping  $\{\Rightarrow z\}$  maps every object to the same value  $z$ . The universal xapping  $\{\Rightarrow\}$  maps every object to itself and is therefore the set of all Lisp objects, sometimes called simply the universe. Both kinds of infinite set may be modified by explicitly writing exceptions. One kind of exception is simply a pair, which specifies the value for a particular index; the other kind of exception is simply  $k \Rightarrow$  indicating that the xapping does *not* have a pair with index  $k$  after all. Thus the notation

```
{sky⇒blue grass⇒green idea⇒ glass⇒ ⇒red}
```

indicates a xapping that maps **sky** to **blue**, **grass** to **green**, and every other object except **idea** and **glass** to **red**. Note well that the presence or absence of whitespace on either side of an arrow is crucial to the correct interpretation of the notation.

Here is the representation of a xapping as a structure:

```
(defstruct
  (xapping (:print-function print-xapping)
    (:constructor xap
      (domain range &optional
        (default 'unknown defaultp)
        (infinite (and defaultp :constant))
        (exceptions '()))))
  domain
  range
  default
  (infinite nil :type (member nil :constant :universal)
  exceptions)
```

The explicit pairs are represented as two parallel lists, one of indexes (**domain**) and one of values (**range**). The **default** slot is the default value, relevant only if the **infinite** slot is **:constant**. The **exceptions** slot is a list of indices for which there are no values. (See the end of section 22.3.3 for the definition of **print-xapping**.)

Here, then, is the code for reading vectors in bracket notation:

```
(defun open-bracket-macro-char (stream macro-char)
  (declare (ignore macro-char))
  (let ((range (read-delimited-list #\] stream t)))
    (xap (iota-list (length range)) range)))
```

```
(set-macro-character #\[ #'open-bracket-macro-char)
(set-macro-character #\] (get-macro-character #\))
```

```
(defun iota-list (n) ;Return list of integers from 0 to n - 1
  (do ((j (- n 1) (- j 1))
      (z '() (cons j z)))
      ((< j 0) z)))
```

The code for reading xappings in the more general brace notation, with all the possibilities for xets (or individual xet pairs), infinite xappings, and exceptions, is a bit more complicated; it is shown in table 22.7. That code is used in conjunction with the initializations

```
(set-macro-character #\{ #'open-brace-macro-char)
(set-macro-character #\} (get-macro-character #\))
```

*[Function]* **make-dispatch-macro-character** *char* &optional  
*non-terminating-p readtable*

This causes the character *char* to be a dispatching macro character in *readtable* (which defaults to the current *readtable*). If *non-terminating-p* is not **nil** (it defaults to **nil**), then it will be a non-terminating macro character: it may be embedded within extended tokens. **make-dispatch-macro-character** returns **t**.

Initially every character in the dispatch table has a character-macro function that signals an error. Use **set-dispatch-macro-character** to define entries in the dispatch table. X3J13 voted in January 1989 to clarify that *char* must be a character.

*[Function]* **set-dispatch-macro-character** *disp-char sub-char function*  
&optional *readtable*

Table 22.7: Macro Character Definition for Xapping Syntax

```

(defun open-brace-macro-char (s macro-char)
  (declare (ignore macro-char))
  (do ((ch (peek-char t s t nil t) (peek-char t s t nil t))
      (domain '()) (range '()) (exceptions '()))
      ((char= ch #\})
       (read-char s t nil t)
       (construct-xapping (reverse domain) (reverse range)))
    (cond ((char= ch #\⇒)
           (read-char s t nil t)
           (let ((nextch (peek-char nil s t nil t)))
             (cond ((char= nextch #\})
                    (read-char s t nil t)
                    (return (xap (reverse domain)
                                 (reverse range)
                                 nil :universal exceptions))))
           (t (let ((item (read s t nil t)))
                 (cond ((char= (peek-char t s t nil t) #\})
                        (read-char s t nil t)
                        (return (xap (reverse domain)
                                     (reverse range)
                                     item :constant
                                     exceptions))))
                 (t (reader-error s
                                "Default ⇒ item must be last"))))))))
  (t (let ((item (read-preserving-whitespace s t nil t))
          (nextch (peek-char nil s t nil t)))
      (cond ((char= nextch #\⇒)
             (read-char s t nil t)
             (cond ((member (peek-char nil s t nil t)
                            '(#\Space #\Tab #\Newline))
                    (push item exceptions))
                 (t (push item domain)
                    (push (read s t nil t) range))))
            ((char= nch #\})
             (read-char s t nil t)
             (push item domain)
             (push item range)
             (return (xap (reverse domain) (reverse range))))
            (t (push item domain)
               (push item range))))))

```



[Function] **get-dispatch-macro-character** *disp-char sub-char*  
&optional *readtable*

**set-dispatch-macro-character** causes *function* to be called when the *disp-char* followed by *sub-char* is read. The *readtable* defaults to the current readtable. The arguments and return values for *function* are the same as for normal macro characters except that *function* gets *sub-char*, not *disp-char*, as its second argument and also receives a third argument that is the non-negative integer whose decimal representation appeared between *disp-char* and *sub-char*, or **nil** if no decimal integer appeared there.

The *sub-char* may not be one of the ten decimal digits; they are always reserved for specifying an infix integer argument. Moreover, if *sub-char* is a lowercase character (see **lower-case-p**), its uppercase equivalent is used instead. (This is how the rule is enforced that the case of a dispatch sub-character doesn't matter.)

**set-dispatch-macro-character** returns **t**.

**get-dispatch-macro-character** returns the macro-character function for *sub-char* under *disp-char*, or **nil** if there is no function associated with *sub-char*.

If the *sub-char* is one of the ten decimal digits **0 1 2 3 4 5 6 7 8 9**, **get-dispatch-macro-character** always returns **nil**. If *sub-char* is a lowercase character, its uppercase equivalent is used instead.

X3J13 voted in January 1989 to specify that if **nil** is explicitly passed as the second argument to **get-dispatch-macro-character**, then the standard readtable is used. This is consistent with the behavior of **copy-readtable**.

For either function, an error is signaled if the specified *disp-char* is not in fact a dispatch character in the specified readtable. It is necessary to use **make-dispatch-macro-character** to set up the dispatch character before specifying its sub-characters.

As an example, suppose one would like **#\$foo** to be read as if it were (**dollars foo**). One might say:

```
(defun |#$-reader| (stream subchar arg)
  (declare (ignore subchar arg))
  (list 'dollars (read stream t nil t)))

(set-dispatch-macro-character #\# #\$ #'|#$-reader|)
```

[Function] **readtable-case** *readtable*

X3J13 voted in June 1989 to introduce the function **readtable-case** to control the reader's interpretation of case. It provides access to a slot in a readtable, and may be used with **setf** to alter the state of that slot. The possible values for the slot are **:upcase**, **:downcase**, **:preserve**, and **:invert**; the **readtable-case** for the standard readtable is **:upcase**. Note that **copy-readtable** is required to copy the **readtable-case** slot along with all other readtable information.

Once the reader has accumulated a token as described in section 22.1.1, if the token is a symbol, “replaceable” characters (unescaped uppercase or lowercase constituent characters) may be modified under the control of the **readtable-case** of the current readtable:

- For **:upcase**, replaceable characters are converted to uppercase. (This was the behavior specified by the first edition.)
- For **:downcase**, replaceable characters are converted to lowercase.
- For **:preserve**, the cases of all characters remain unchanged.
- For **:invert**, if all of the replaceable letters in the extended token are of the same case, they are all converted to the opposite case; otherwise the cases of all characters in that token remain unchanged.

As an illustration, consider the following code.

```
(let ((*readtable* (copy-readtable nil)))
  (format t "READTABLE-CASE Input Symbol-name~
           ~%----- ~%~
           ~%")
  (dolist (readtable-case '(:upcase :downcase :preserve :invert))
    (setf (readtable-case *readtable*) readtable-case)
    (dolist (input '("ZEBRA" "Zebra" "zebra"))
      (format t "::~A~16T~A~24T~A~%"
              (string-upcase readtable-case)
              input
              (symbol-name (read-from-string input)))))))
```

The output from this test code should be

READTABLE-CASE Input Symbol-name

---

```
:UPCASE      ZEBRA ZEBRA
:UPCASE      Zebra ZEBRA
:UPCASE      zebra ZEBRA
:DOWNCASE    ZEBRA zebra
:DOWNCASE    Zebra zebra
:DOWNCASE    zebra zebra
:PRESERVE    ZEBRA ZEBRA
:PRESERVE    Zebra Zebra
:PRESERVE    zebra zebra
:INVERT      ZEBRA zebra
:INVERT      Zebra Zebra
:INVERT      zebra ZEBRA
```

The **readtable-case** of the current readtable also affects the printing of symbols (see **\*print-case\*** and **\*print-escape\***).

### 22.1.6 What the Print Function Produces

The Common Lisp printer is controlled by a number of special variables. These are referred to in the following discussion and are fully documented at the end of this section.

How an expression is printed depends on its data type, as described in the following paragraphs.

**Integers** If appropriate, a radix specifier may be printed; see the variable **\*print-radix\***. If an integer is negative, a minus sign is printed and then the absolute value of the integer is printed. Integers are printed in the radix specified by the variable **\*print-base\*** in the usual positional notation, most significant digit first. The number zero is represented by the single digit **0** and never has a sign. A decimal point may then be printed, depending on the value of **\*print-radix\***.

**Ratios** If appropriate, a radix specifier may be printed; see the variable **\*print-radix\***. If the ratio is negative, a minus sign is printed. Then the absolute value of the numerator is printed, as for an integer; then a **/**; then the denominator. The numerator and denominator are both printed in the radix specified by the variable **\*print-base\***; they are

obtained as if by the **numerator** and **denominator** functions, and so ratios are always printed in reduced form (lowest terms).

**Floating-point numbers** If the sign of the number (as determined by the function **float-sign**) is negative, then a minus sign is printed. Then the magnitude is printed in one of two ways. If the magnitude of the floating-point number is either zero or between  $10^{-3}$  (inclusive) and  $10^7$  (exclusive), it may be printed as the integer part of the number, then a decimal point, followed by the fractional part of the number; there is always at least one digit on each side of the decimal point. If the format of the number does not match that specified by the variable **\*read-default-float-format\***, then the exponent marker for that format and the digit **0** are also printed. For example, the base of the natural logarithms as a short-format floating-point number might be printed as **2.71828S0**.

For non-zero magnitudes outside of the range  $10^{-3}$  to  $10^7$ , a floating-point number will be printed in “computerized scientific notation.” The representation of the number is scaled to be between 1 (inclusive) and 10 (exclusive) and then printed, with one digit before the decimal point and at least one digit after the decimal point. Next the exponent marker for the format is printed, except that if the format of the number matches that specified by the variable **\*read-default-float-format\***, then the exponent marker **E** is used. Finally, the power of 10 by which the fraction must be multiplied to equal the original number is printed as a decimal integer. For example, Avogadro’s number as a short-format floating-point number might be printed as **6.02S23**.

**Complex numbers** A complex number is printed as **#C**, an open parenthesis, the printed representation of its real part, a space, the printed representation of its imaginary part, and finally a close parenthesis.

**Characters** When **\*print-escape\*** is **nil**, a character prints as itself; it is sent directly to the output stream. When **\*print-escape\*** is not **nil**, then **#\** syntax is used. For example, the printed representation of the character **#\A** with control and meta bits on would be **#\CONTROL-META-A**, and that of **#\a** with control and meta bits on would be **#\CONTROL-META-\a**. X3J13 voted in June 1989 to specify that if **\*print-readably\*** is not **nil** then every object

must be printed in a readable form, regardless of other printer control variables. For characters, the simplest approach is always to use `#\` syntax when `*print-readably*` is not `nil`, regardless of the value of `*print-escape*`.

*Symbols* When `*print-escape*` is `nil`, only the characters of the print name of the symbol are output (but the case in which to print any uppercase characters in the print name is controlled by the variable `*print-case*`).

X3J13 voted in June 1989 to specify that the new `readtable-case` slot of the current `readtable` also controls the case in which letters (whether uppercase or lowercase) in the print name of a symbol are output, no matter what the value of `*print-escape*`.

The remaining paragraphs describing the printing of symbols cover the situation when `*print-escape*` is not `nil`.

X3J13 voted in June 1989 to specify that if `*print-readably*` is not `nil` then every object must be printed in a readable form, regardless of other printer control variables. For symbols, the simplest approach is to print them, when `*print-readably*` is not `nil`, as if `*print-escape*` were not `nil`, regardless of the actual value of `*print-escape*`.

Backslashes `\` and vertical bars `|` are included as required. In particular, backslash or vertical-bar syntax is used when the name of the symbol would be otherwise treated by the reader as a potential number (see section 22.1.2). In making this decision, it is assumed that the value of `*print-base*` being used for printing would be used as the value of `*read-base*` used for reading; the value of `*read-base*` at the time of printing is irrelevant. For example, if the value of `*print-base*` were `16` when printing the symbol `face`, it would have to be printed as `\FACE` or `\Face` or `|FACE|`, because the token `face` would be read as a hexadecimal number (decimal value 64206) if `*read-base*` were `16`.

The case in which to print any uppercase characters in the print name is controlled by the variable `*print-case*`. X3J13 voted in June 1989 to clarify the interaction of `*print-case*` with `*print-escape*`; see `*print-case*`. As a special case [no pun intended], `nil` may sometimes be printed as `()` instead, when `*print-escape*` and `*print-pretty*` are both not `nil`.

Package prefixes may be printed (using colon syntax) if necessary. The rules for package qualifiers are as follows. When the symbol is printed, if it is in the keyword package, then it is printed with a preceding colon; otherwise, if it is accessible in the current package, it is printed without any qualification; otherwise, it is printed with qualification. See chapter 11.

A symbol that is uninterned (has no home package) is printed preceded by `#:` if the variables `*print-gensym*` and `*print-escape*` are both non-`nil`; if either is `nil`, then the symbol is printed without a prefix, as if it were in the current package. X3J13 voted in June 1989 to specify that if `*print-readably*` is not `nil` then every object must be printed in a readable form, regardless of other printer control variables. For uninterned symbols, the simplest approach is to print them, when `*print-readably*` is not `nil`, as if `*print-escape*` and `*print-gensym*` were not `nil`, regardless of their actual values.

---

**Implementation note:** Because the `#:` syntax does not intern the following symbol, it is necessary to use circular-list syntax if `*print-circle*` is not `nil` and the same uninterned symbol appears several times in an expression to be printed. For example, the result of

```
(let ((x (make-symbol "FOO"))) (list x x))
```

would be printed as

```
(#:foo #:foo)
```

if `*print-circle*` were `nil`, but as

```
(#1=#:foo #1#)
```

if `*print-circle*` were not `nil`.

---

The case in which symbols are to be printed is controlled by the variable `*print-case*`. It is also controlled by `*print-escape*` and the `readtable-case` slot of the current readtable (the value of `*readtable*`).

**Strings** The characters of the string are output in order. If **\*print-escape\*** is not **nil**, a double quote is output before and after, and all double quotes and single escape characters are preceded by backslash. The printing of strings is not affected by **\*print-array\***. If the string has a fill pointer, then only those characters below the fill pointer are printed.

X3J13 voted in June 1989 to specify that if **\*print-readably\*** is not **nil** then every object must be printed in a readable form, regardless of other printer control variables. For strings, the simplest approach is to print them, when **\*print-readably\*** is not **nil**, as if **\*print-escape\*** were not **nil**, regardless of the actual value of **\*print-escape\***.

**Conses** Wherever possible, list notation is preferred over dot notation. Therefore the following algorithm is used:

1. Print an open parenthesis, (.
2. Print the *car* of the cons.
3. If the *cdr* is a cons, make it the current cons, print a space, and go to step 2.
4. If the *cdr* is not null, print a space, a dot, a space, and the *cdr*.
5. Print a close parenthesis, ).

This form of printing is clearer than showing each individual cons cell. Although the two expressions below are equivalent, and the reader will accept either one and produce the same data structure, the printer will always print such a data structure in the second form.

```
(a . (b . ((c . (d . nil)) . (e . nil))))
```

```
(a b (c d) e)
```

The printing of conses is affected by the variables **\*print-level\*** and **\*print-length\***.

X3J13 voted in June 1989 to specify that if **\*print-readably\*** is not **nil** then every object must be printed in a readable form, regardless of other printer control variables. For conses, the simplest approach is to print them, when **\*print-readably\*** is not **nil**, as if **\*print-level\*** and **\*print-length\*** were **nil**, regardless of their actual values.

**Bit-vectors** A bit-vector is printed as `#*` followed by the bits of the bit-vector in order. If `*print-array*` is `nil`, however, then the bit-vector is printed in a format (using `#<`) that is concise but not readable. If the bit-vector has a fill pointer, then only those bits below the fill pointer are printed. X3J13 voted in June 1989 to specify that if `*print-readably*` is not `nil` then every object must be printed in a readable form, regardless of other printer control variables. For bit-vectors, the simplest approach is to print them, when `*print-readably*` is not `nil`, as if `*print-array*` were not `nil`, regardless of the actual value of `*print-array*`.

**Vectors** Any vector other than a string or bit-vector is printed using general-vector syntax; this means that information about specialized vector representations will be lost. The printed representation of a zero-length vector is `#()`. The printed representation of a non-zero-length vector begins with `#(`. Following that, the first element of the vector is printed. If there are any other elements, they are printed in turn, with a space printed before each additional element. A close parenthesis after the last element terminates the printed representation of the vector. The printing of vectors is affected by the variables `*print-level*` and `*print-length*`. If the vector has a fill pointer, then only those elements below the fill pointer are printed.

If `*print-array*` is `nil`, however, then the vector is not printed as described above, but in a format (using `#<`) that is concise but not readable. X3J13 voted in June 1989 to specify that if `*print-readably*` is not `nil` then every object must be printed in a readable form, regardless of other printer control variables. For vectors, the simplest approach is to print them, when `*print-readably*` is not `nil`, as if `*print-level*` and `*print-length*` were `nil` and `*print-array*` were not `nil`, regardless of their actual values.

**Arrays** Normally any array other than a vector is printed using `#nA` format. Let  $n$  be the rank of the array. Then `#` is printed, then  $n$  as a decimal integer, then `A`, then  $n$  open parentheses. Next the elements are scanned in row-major order. Imagine the array indices being enumerated in odometer fashion, recalling that the dimensions are numbered from 0 to  $n - 1$ . Every time the index for dimension  $j$  is incremented, the following actions are taken:



1. If  $j < n - 1$ , then print a close parenthesis.
2. If incrementing the index for dimension  $j$  caused it to equal dimension  $j$ , reset that index to zero and increment dimension  $j - 1$  (thereby performing these three steps recursively), unless  $j = 0$ , in which case simply terminate the entire algorithm. If incrementing the index for dimension  $j$  did not cause it to equal dimension  $j$ , then print a space.
3. If  $j < n - 1$ , then print an open parenthesis.

This causes the contents to be printed in a format suitable for use as the **:initial-contents** argument to **make-array**. The lists effectively printed by this procedure are subject to truncation by **\*print-level\*** and **\*print-length\***.

If the array is of a specialized type, containing bits or string-characters, then the innermost lists generated by the algorithm given above may instead be printed using bit-vector or string syntax, provided that these innermost lists would not be subject to truncation by **\*print-length\***. For example, a 3-by-2-by-4 array of string-characters that would ordinarily be printed as

```
#3A(((#\s #\t #\o #\p) (#\s #\p #\o #\t))
      ((#\p #\o #\s #\t) (#\p #\o #\t #\s))
      ((#\t #\o #\p #\s) (#\o #\p #\t #\s)))
```

may instead be printed more concisely as

```
#3A(("stop" "spot") ("post" "pots") ("tops" "opts"))
```

If **\*print-array\*** is **nil**, then the array is printed in a format (using **#<**) that is concise but not readable. X3J13 voted in June 1989 to specify that if **\*print-readably\*** is not **nil** then every object must be printed in a readable form, regardless of other printer control variables. For arrays, the simplest approach is to print them, when **\*print-readably\*** is not **nil**, as if **\*print-level\*** and **\*print-length\*** were **nil** and **\*print-array\*** were not **nil**, regardless of their actual values.

**Random-states** Common Lisp does not specify a specific syntax for printing objects of type **random-state**. However, every implementation

must arrange to print a random-state object in such a way that, within the same implementation of Common Lisp, the function **read** can construct from the printed representation a copy of the random-state object as if the copy had been made by **make-random-state**.

*Pathnames* If **\*print-escape\*** is true, a pathname should be printed by **write** as **#P"..."** where **"..."** is the namestring representation of the pathname. If **\*print-escape\*** is false, **write** prints a pathname by printing its namestring (presumably without escape characters or surrounding double quotes).

If **\*print-readably\*** is not **nil** then every object must be printed in a readable form, regardless of other printer control variables. For pathnames, the simplest approach is to print them, when **\*print-readably\*** is not **nil**, as if **\*print-escape\*** were **nil**, regardless of its actual value.

Structures defined by **defstruct** are printed under the control of the user-specified **:print-function** option to **defstruct**. If the user does not provide a printing function explicitly, then a default printing function is supplied that prints the structure using **#S** syntax (see section 22.1.4).

If **\*print-readably\*** is not **nil** then every object must be printed in a readable form, regardless of the values of other printer control variables; if this is not possible, then an error of type **print-not-readable** must be signaled to avoid printing an unreadable syntax such as **#<...>**.

Macro **print-unreadable-object** prints an object using **#<...>** syntax and also takes care of checking the variable **\*print-readably\***.

When debugging or when frequently dealing with large or deep objects at top level, the user may wish to restrict the printer from printing large amounts of information. The variables **\*print-level\*** and **\*print-length\*** allow the user to control how deep the printer will print and how many elements at a given level the printer will print. Thus the user can see enough of the object to identify it without having to wade through the entire expression.

*[Variable]* **\*print-readably\***

The default value of **\*print-readably\*** is **nil**. If **\*print-readably\*** is true, then printing any object must either produce a printed representation that the reader will accept or signal an error. If printing is successful, the

reader will, on reading the printed representation, produce an object that is “similar as a constant” (see section 24.1.4) to the object that was printed.

If **\*print-readably\*** is true and printing a readable printed representation is not possible, the printer signals an error of type **print-not-readable** rather than using an unreadable syntax such as `#<`. The printed representation produced when **\*print-readably\*** is true might or might not be the same as the printed representation produced when **\*print-readably\*** is false.

If **\*print-readably\*** is true and another printer control variable (such as **\*print-length\***, **\*print-level\***, **\*print-escape\***, **\*print-gensym\***, **\*print-array\***, or an implementation-defined printer control variable) would cause the preceding requirements to be violated, that other printer control variable is ignored.

The printing of interned symbols is not affected by **\*print-readably\***.

Note that the “similar as a constant” rule for readable printing implies that `#A` or `#(` syntax cannot be used for arrays of element-type other than `t`. An implementation will have to use another syntax or signal a **print-not-readable** error. A **print-not-readable** error will not be signaled for strings or bit-vectors.

All methods for **print-object** must obey **\*print-readably\***. This rule applies to both user-defined methods and implementation-defined methods.

The reader control variable **\*read-eval\*** also affects printing. If **\*read-eval\*** is false and **\*print-readably\*** is true, any **print-object** method that would otherwise output a `#.` reader macro must either output something different or signal an error of type **print-not-readable**.

Readable printing of structures and objects of type **standard-object** is controlled by their **print-object** methods, not by their **make-load-form** methods. “Similarity as a constant” for these objects is application-dependent and hence is defined to be whatever these methods do.

**\*print-readably\*** allows errors involving data with no readable printed representation to be detected when writing the file rather than later on when the file is read.

**\*print-readably\*** is more rigorous than **\*print-escape\***; output printed with escapes must be merely generally recognizable by humans, with a good chance of being recognizable by computers, whereas output printed readably must be reliably recognizable by computers.

*[Variable]* **\*print-escape\***

When this flag is **nil**, then escape characters are not output when an expression is printed. In particular, a symbol is printed by simply printing the characters of its print name. The function **princ** effectively binds **\*print-escape\*** to **nil**.

When this flag is not **nil**, then an attempt is made to print an expression in such a way that it can be read again to produce an **equal** structure. The function **prin1** effectively binds **\*print-escape\*** to **t**. The initial value of this variable is **t**.

*[Variable]* **\*print-pretty\***

When this flag is **nil**, then only a small amount of whitespace is output when printing an expression.

When this flag is not **nil**, then the printer will endeavor to insert extra whitespace where appropriate to make the expression more readable. A few other simple changes may be made, such as printing **'foo** instead of **(quote foo)**.

The initial value of **\*print-pretty\*** is implementation-dependent.

X3J13 voted in January 1989 to adopt a facility for user-controlled pretty printing in Common Lisp (see chapter 27).

*[Variable]* **\*print-circle\***

When this flag is **nil** (the default), then the printing process proceeds by recursive descent; an attempt to print a circular structure may lead to looping behavior and failure to terminate.

If **\*print-circle\*** is true, the printer is required to detect not only cycles but shared substructure, indicating both through the use of **#n=** and **#n#** syntax. As an example, under the specification of the first edition

```
(print '(#1=(a #1#) #1#))
```

might legitimately print **(#1=(A #1#) #1#)** or **(#1=(A #1#) #2=(A #2#))**; the vote specifies that the first form is required.

User-defined printing functions for the **defstruct :print-function** option, as well as user-defined methods for the CLOS generic function **print-object**, may print objects to the supplied stream using **write**, **prin1**, **princ**,

**format**, or **print-object** and expect circularities to be detected and printed using `#n#` syntax (when **\*print-circle\*** is non-**nil**, of course).

It seems to me that the same ought to apply to abbreviation as controlled by **\*print-level\*** and **\*print-length\***, but that was not addressed by this vote.

*[Variable]* **\*print-base\***

The value of **\*print-base\*** determines in what radix the printer will print rationals. This may be any integer from **2** to **36**, inclusive; the default value is **10** (decimal radix). For radices above **10**, letters of the alphabet are used to represent digits above **9**.

*[Variable]* **\*print-radix\***

If the variable **\*print-radix\*** is non-**nil**, the printer will print a radix specifier to indicate the radix in which it is printing a rational number. To prevent confusion of the letter **O** with the digit **0**, and of the letter **B** with the digit **8**, the radix specifier is always printed using lowercase letters. For example, if the current base is twenty-four (decimal), the decimal integer twenty-three would print as `#24rN`. If **\*print-base\*** is **2**, **8**, or **16**, then the radix specifier used is `#b`, `#o`, or `#x`. For integers, base ten is indicated by a trailing decimal point instead of a leading radix specifier; for ratios, however, `#10r` is used. The default value of **\*print-radix\*** is **nil**.

*[Variable]* **\*print-case\***

The **read** function normally converts lowercase characters appearing in symbols to corresponding uppercase characters, so that internally print names normally contain only uppercase characters. However, users may prefer to see output using lowercase letters or letters of mixed case. This variable controls the case (upper, lower, or mixed) in which to print any uppercase characters in the names of symbols when vertical-bar syntax is not used. The value of **\*print-case\*** should be one of the keywords **:upcase**, **:downcase**, or **:capitalize**; the initial value is **:upcase**.

Lowercase characters in the internal print name are always printed in lowercase, and are preceded by a single escape character or enclosed by multiple escape characters. Uppercase characters in the internal print name are printed in uppercase, in lowercase, or in mixed case so as to capitalize words,

according to the value of **\*print-case\***. The convention for what constitutes a “word” is the same as for the function **string-capitalize**.

X3J13 voted in June 1989 to clarify the interaction of **\*print-case\*** with **\*print-escape\***. When **\*print-escape\*** is **nil**, **\*print-case\*** determines the case in which to print all uppercase characters in the print name of the symbol. When **\*print-escape\*** is not **nil**, the implementation has some freedom as to which characters will be printed so as to appear in an “escape context” (after an escape character, typically `\`, or between multiple escape characters, typically `|`); **\*print-case\*** determines the case in which to print all uppercase characters that will not appear in an escape context. For example, when the value of **\*print-case\*** is **:upcase**, an implementation might choose to print the symbol whose print name is `"(S)HE"` as `\(S\)HE` or as `|(S)HE|`, among other possibilities. When the value of **\*print-case\*** is **:downcase**, the corresponding output should be `\(s\)he` or `|(S)HE|`, respectively.

Consider the following test code. (For the sake of this example assume that **readtable-case** is **:upcase** in the current readtable; this is discussed further below.)

```
(let ((tabwidth 11))
  (dolist (sym '(|x| |FoObAr| |fOo|))
    (let ((tabstop -1))
      (format t "~&")
      (dolist (escape '(t nil))
        (dolist (case '(:upcase :downcase :capitalize))
          (format t "~VT" (* (incf tabstop) tabwidth))
          (write sym :escape escape :case case))))))
  (format t " %"))
```

An implementation that leans heavily on multiple-escape characters (vertical bars) might produce the following output:

```
|x|      |x|      |x|      x      x      x
|FoObAr| |FoObAr| |FoObAr| FoObAr  foobar  Foobar
|fOo|    |fOo|    |fOo|    fOo    foo    foo
```

An implementation that leans heavily on single-escape characters (backslashes) might produce the following output:

```

\X      \x      \X      X      X      X
F\oO\BA\r f\oo\ba\r F\oo\ba\r FoObAr  foobar  Foobar
\fO\o    \fo\o    \fo\o    fOo      foo      foo

```

These examples are not exhaustive; output using both kinds of escape characters (for example, `|FoO|\bA\r`) is permissible (though ugly).

X3J13 voted in June 1989 to add a new **readtable-case** slot to readtables to control automatic case conversion during the reading of symbols. The value of **readtable-case** in the current readtable also affects the printing of unescaped letters (letters appearing in an escape context are always printed in their own case).

- If **readtable-case** is **:upcase**, unescaped uppercase letters are printed in the case specified by **\*print-case\*** and unescaped lowercase letters are printed in their own case. (If **\*print-escape\*** is non-**nil**, all lowercase letters will necessarily be escaped.)
- If **readtable-case** is **:downcase**, unescaped lowercase letters are printed in the case specified by **\*print-case\*** and unescaped uppercase letters are printed in their own case. (If **\*print-escape\*** is non-**nil**, all uppercase letters will necessarily be escaped.)
- If **readtable-case** is **:preserve**, all unescaped letters are printed in their own case, regardless of the value of **\*print-case\***. There is no need to escape any letters, even if **\*print-escape\*** is non-**nil**, though the X3J13 vote did not prohibit escaping letters in this situation.
- If **readtable-case** is **:invert**, and if all unescaped letters are of the same case, then the case of all the unescaped letters is inverted; but if the unescaped letters are not all of the same case then each is printed in its own case. (Thus **:invert** does not always invert the case; the inversion is conditional.) There is no need to escape any letters, even if **\*print-escape\*** is non-**nil**, though the X3J13 vote did not prohibit escaping letters in this situation.

Consider the following code.

;;; Generate a table illustrating READTABLE-CASE and \*PRINT-CASE\*.

```
(let ((*readtable* (copy-readtable nil))
      (*print-case* *print-case*))
  (format t "READTABLE-CASE *PRINT-CASE* Symbol-name Output~
~%-----~
~%"
  (dolist (readtable-case '(:upcase :downcase :preserve :invert))
    (setf (readtable-case *readtable*) readtable-case)
    (dolist (print-case '(:upcase :downcase :capitalize))
      (dolist (sym '(|ZEBRA| |Zebra| |zebra|))
        (setq *print-case* print-case)
        (format t "~A~15T:~A~29T~A~42T~A~%"
          (string-upcase readtable-case)
          (string-upcase print-case)
          (symbol-name sym)
          (prin1-to-string sym))))))))
```

Note that the call to **prin1-to-string** (the last argument in the call to **format** that is within the nested loops) effectively uses a non-**nil** value for **\*print-escape\***.

Assuming an implementation that uses vertical bars around a symbol name if any characters need escaping, the output from this test code should be

```
READTABLE-CASE *PRINT-CASE* Symbol-name Output
-----
:UPCASE      :UPCASE      ZEBRA      ZEBRA
:UPCASE      :UPCASE      Zebra      |Zebra|
:UPCASE      :UPCASE      zebra      |zebra|
:UPCASE      :DOWNCASE    ZEBRA      zebra
:UPCASE      :DOWNCASE    Zebra      |Zebra|
:UPCASE      :DOWNCASE    zebra      |zebra|
:UPCASE      :CAPITALIZE  ZEBRA      Zebra
:UPCASE      :CAPITALIZE  Zebra      |Zebra|
:UPCASE      :CAPITALIZE  zebra      |zebra|
:DOWNCASE    :UPCASE      ZEBRA      |ZEBRA|
:DOWNCASE    :UPCASE      Zebra      |Zebra|
:DOWNCASE    :UPCASE      zebra      ZEBRA
```



:DOWNCASE	:DOWNCASE	ZEBRA	ZEBRA
:DOWNCASE	:DOWNCASE	Zebra	Zebra
:DOWNCASE	:DOWNCASE	zebra	zebra
:DOWNCASE	:CAPITALIZE	ZEBRA	ZEBRA
:DOWNCASE	:CAPITALIZE	Zebra	Zebra
:DOWNCASE	:CAPITALIZE	zebra	Zebra
:PRESERVE	:UPCASE	ZEBRA	ZEBRA
:PRESERVE	:UPCASE	Zebra	Zebra
:PRESERVE	:UPCASE	zebra	zebra
:PRESERVE	:DOWNCASE	ZEBRA	ZEBRA
:PRESERVE	:DOWNCASE	Zebra	Zebra
:PRESERVE	:DOWNCASE	zebra	zebra
:PRESERVE	:CAPITALIZE	ZEBRA	ZEBRA
:PRESERVE	:CAPITALIZE	Zebra	Zebra
:PRESERVE	:CAPITALIZE	zebra	zebra
:INVERT	:UPCASE	ZEBRA	zebra
:INVERT	:UPCASE	Zebra	Zebra
:INVERT	:UPCASE	zebra	ZEBRA
:INVERT	:DOWNCASE	ZEBRA	zebra
:INVERT	:DOWNCASE	Zebra	Zebra
:INVERT	:DOWNCASE	zebra	ZEBRA
:INVERT	:CAPITALIZE	ZEBRA	zebra
:INVERT	:CAPITALIZE	Zebra	Zebra
:INVERT	:CAPITALIZE	zebra	ZEBRA

This illustrates all combinations for **readtable-case** and **\*print-case\***.

Table 22.8: Examples of Print Level and Print Length Abbreviation

<i>v</i>	<i>n</i>	Output
0	1	#
1	1	(if ...)
1	2	(if # ...)
1	3	(if # # ...)
1	4	(if # # #)
2	1	(if ...)
2	2	(if (member x ...) ...)
2	3	(if (member x y) (+ # 3) ...)
3	2	(if (member x ...) ...)
3	3	(if (member x y) (+ (car x) 3) ...)
3	4	(if (member x y) (+ (car x) 3) '(foo . #(a b c d ...)))
3	5	(if (member x y) (+ (car x) 3) '(foo . #(a b c d "Baz")))

*[Variable]* **\*print-gensym\***

The **\*print-gensym\*** variable controls whether the prefix **#:** is printed before symbols that have no home package. The prefix is printed if the variable is not **nil**. The initial value of **\*print-gensym\*** is **t**.

*[Variable]* **\*print-level\****[Variable]* **\*print-length\***

The **\*print-level\*** variable controls how many levels deep a nested data object will print. If **\*print-level\*** is **nil** (the initial value), then no control is exercised. Otherwise, the value should be an integer, indicating the maximum level to be printed. An object to be printed is at level **0**; its components (as of a list or vector) are at level **1**; and so on. If an object to be recursively printed has components and is at a level equal to or greater than the value of **\*print-level\***, then the object is printed as simply **#**.

The **\*print-length\*** variable controls how many elements at a given level are printed. A value of **nil** (the initial value) indicates that there be no limit to the number of components printed. Otherwise, the value of **\*print-length\*** should be an integer. Should the number of elements of a data object exceed the value **\*print-length\***, the printer will print three dots, **...**,

in place of those elements beyond the number specified by **\*print-length\***. (In the case of a dotted list, if the list contains exactly as many elements as the value of **\*print-length\***, and in addition has the non-null atom terminating it, that terminating atom is printed rather than the three dots.)

**\*print-level\*** and **\*print-length\*** affect the printing not only of lists but also of vectors, arrays, and any other object printed with a list-like syntax. They do not affect the printing of symbols, strings, and bit-vectors.

The Lisp reader will normally signal an error when reading an expression that has been abbreviated because of level or length limits. This signal is given because the `#` dispatch character normally signals an error when followed by whitespace or `)`, and because `...` is defined to be an illegal token, as are all tokens consisting entirely of periods (other than the single dot used in dot notation).

As an example, table 22.8 shows the ways the object

```
(if (member x y) (+ (car x) 3) '(foo . #(a b c d "Baz")))
```

would be printed for various values of **\*print-level\*** (in the column labeled *v*) and **\*print-length\*** (in the column labeled *n*).

*[Variable]* **\*print-array\***

If **\*print-array\*** is **nil**, then the contents of arrays other than strings are never printed. Instead, arrays are printed in a concise form (using `#<`) that gives enough information for the user to be able to identify the array but does not include the entire array contents. If **\*print-array\*** is not **nil**, non-string arrays are printed using `#(`, `#*`, or `#nA` syntax. *Notice of correction.* In the first edition, the preceding paragraph mentioned the nonexistent variable **print-array** instead of **\*print-array\***. The initial value of **\*print-array\*** is implementation-dependent.

*[Macro]* **with-standard-io-syntax** {declaration}\* {form}\*

Within the dynamic extent of the body, all reader/printer control variables, including any implementation-defined ones not specified by Common Lisp, are bound to values that produce standard read/print behavior. Table 22.9 shows the values to which standard Common Lisp variables are bound.

The values returned by **with-standard-io-syntax** are the values of the last body *form*, or **nil** if there are no body forms.

The intent is that a pair of executions, as shown in the following example, should provide reasonable reliable communication of data from one Lisp process to another:

```
;;; Write DATA to a file.
(with-open-file (file pathname :direction :output)
  (with-standard-io-syntax
    (print data file)))
```

```
;;; ... Later, in another Lisp:
(with-open-file (file pathname :direction :input)
  (with-standard-io-syntax
    (setq data (read file))))
```

Using **with-standard-io-syntax** to bind all the variables, instead of using **let** and explicit bindings, ensures that nothing is overlooked and avoids problems with implementation-defined reader/prINTER control variables. If the user wishes to use a non-standard value for some variable, such as **\*package\*** or **\*read-eval\***, it can be bound by **let** inside the body of **with-standard-io-syntax**. For example:

```
;;; Write DATA to a file. Forbid use of #. syntax.
(with-open-file (file pathname :direction :output)
  (let ((*read-eval* nil))
    (with-standard-io-syntax
      (print data file))))
```

```
;;; Read DATA from a file. Forbid use of #. syntax.
(with-open-file (file pathname :direction :input)
  (let ((*read-eval* nil))
    (with-standard-io-syntax
      (setq data (read file))))))
```

Similarly, a user who dislikes the arbitrary choice of values for **\*print-circle\*** and **\*print-pretty\*** can bind these variables to other values inside the body.

The X3J13 vote left it unclear whether **with-standard-io-syntax** permits declarations to appear before the body of the macro call. I believe that was the intent, and this is reflected in the syntax shown above; but this is only my interpretation.

## 22.2 Input Functions

The input functions are divided into two groups: those that operate on streams of characters and those that operate on streams of binary data.

### 22.2.1 Input from Character Streams

Many character input functions take optional arguments called *input-stream*, *eof-error-p*, and *eof-value*. The *input-stream* argument is the stream from which to obtain input; if unsupplied or **nil** it defaults to the value of the special variable **\*standard-input\***. One may also specify **t** as a stream, meaning the value of the special variable **\*terminal-io\***.

The *eof-error-p* argument controls what happens if input is from a file (or any other input source that has a definite end) and the end of the file is reached. If *eof-error-p* is true (the default), an error will be signaled at end of file. If it is false, then no error is signaled, and instead the function returns *eof-value*.

An *eof-value* argument may be any Lisp datum whatsoever.

Functions such as **read** that read the representation of an object rather than a single character will always signal an error, regardless of *eof-error-p*, if the file ends in the middle of an object representation. For example, if a file does not contain enough right parentheses to balance the left parentheses in it, **read** will complain. If a file ends in a symbol or a number immediately followed by end-of-file, **read** will read the symbol or number successfully and when called again will see the end-of-file and only then act according to *eof-error-p*. Similarly, the function **read-line** will successfully read the last line of a file even if that line is terminated by end-of-file rather than the newline character. If a file contains ignorable text at the end, such as blank lines and comments, **read** will not consider it to end in the middle of an object. Thus an *eof-error-p* argument controls what happens when the file ends *between* objects.

Many input functions also take an argument called *recursive-p*. If specified and not **nil**, this argument specifies that this call is not a “top-level” call to **read** but an imbedded call, typically from the function for a macro character. It is important to distinguish such recursive calls for three reasons.

First, a top-level call establishes the context within which the **#n=** and **#n#** syntax is scoped. Consider, for example, the expression

```
(cons '#3=(p q r) '(x y . #3#))
```

If the single-quote macro character were defined in this way:

```
(set-macro-character #'\
  #'(lambda (stream char)
      (declare (ignore char))
      (list 'quote (read stream))))
```

then the expression could not be read properly, because there would be no way to know when **read** is called recursively by the first occurrence of ' that the label **#3=** would be referred to later in the containing expression. There would be no way to know because **read** could not determine that it was called by a macro-character function rather than from “top level.” The correct way to define the single quote macro character uses the *recursive-p* argument:

```
(set-macro-character #'\
  #'(lambda (stream char)
      (declare (ignore char))
      (list 'quote (read stream t nil t))))
```

Second, a recursive call does not alter whether the reading process is to preserve whitespace or not (as determined by whether the top-level call was to **read** or **read-preserving-whitespace**). Suppose again that the single quote had the first, incorrect, macro-character definition shown above. Then a call to **read-preserving-whitespace** that read the expression 'foo would fail to preserve the space character following the symbol **foo** because the single-quote macro-character function calls **read**, not **read-preserving-whitespace**, to read the following expression (in this case **foo**). The correct definition, which passes the value **t** for the *recursive-p* argument to **read**, allows the top-level call to determine whether whitespace is preserved.

Third, when end-of-file is encountered and the *eof-error-p* argument is not **nil**, the kind of error that is signaled may depend on the value of *recursive-p*. If *recursive-p* is not **nil**, then the end-of-file is deemed to have occurred within the middle of a printed representation; if *recursive-p* is **nil**, then the end-of-file may be deemed to have occurred between objects rather than within the middle of one.

[Function] **read** &optional *input-stream eof-error-p eof-value recursive-p*

**read** reads in the printed representation of a Lisp object from *input-stream*, builds a corresponding Lisp object, and returns the object.

Note that when the variable **\*read-suppress\*** is not **nil**, then **read** reads in a printed representation as best it can, but most of the work of interpreting the representation is avoided (the intent being that the result is to be discarded anyway). For example, all extended tokens produce the result **nil** regardless of their syntax.

[*Variable*] **\*read-default-float-format\***

The value of this variable must be a type specifier symbol for a specific floating-point format; these include **short-float**, **single-float**, **double-float**, and **long-float** and may include implementation-specific types as well. The default value is **single-float**.

**\*read-default-float-format\*** indicates the floating-point format to be used for reading floating-point numbers that have no exponent marker or have **e** or **E** for an exponent marker. (Other exponent markers explicitly prescribe the floating-point format to be used.) The printer also uses this variable to guide the choice of exponent markers when printing floating-point numbers.

[*Function*] **read-preserving-whitespace** &optional *in-stream eof-error-p eof-value recursive-p*

Certain printed representations given to **read**, notably those of symbols and numbers, require a delimiting character after them. (Lists do not, because the close parenthesis marks the end of the list.) Normally **read** will throw away the delimiting character if it is a whitespace character; but **read** will preserve the character (using **unread-char**) if it is syntactically meaningful, because it may be the start of the next expression.

X3J13 voted in January 1989 to clarify the interaction of **unread-char** with echo streams. These changes indirectly affect the echoing behavior of **read-preserving-whitespace**.

The function **read-preserving-whitespace** is provided for some specialized situations where it is desirable to determine precisely what character terminated the extended token.

As an example, consider this macro-character definition:

```
(defun slash-reader (stream char)
  (declare (ignore char))
  (do ((path (list (read-preserving-whitespace stream))
```

```
(cons (progn (read-char stream nil nil t)
            (read-preserving-whitespace
             stream))
      path)))
((not (char= (peek-char nil stream nil nil t) #\ /))
 (cons 'path (nreverse path))))
(set-macro-character #\ / #'slash-reader)
```

(This is actually a rather dangerous definition to make because expressions such as `(/ x 3)` will no longer be read properly. The ability to reprogram the reader syntax is very powerful and must be used with caution. This redefinition of `/` is shown here purely for the sake of example.)

Consider now calling **read** on this expression:

```
(zyedh /usr/games/zork /usr/games/boggle)
```

The `/` macro reads objects separated by more `/` characters; thus `/usr/games/zork` is intended to be read as **(path usr games zork)**. The entire example expression should therefore be read as

```
(zyedh (path usr games zork) (path usr games boggle))
```

However, if **read** had been used instead of **read-preserving-whitespace**, then after the reading of the symbol **zork**, the following space would be discarded; the next call to **peek-char** would see the following `/`, and the loop would continue, producing this interpretation:

```
(zyedh (path usr games zork usr games boggle))
```

On the other hand, there are times when whitespace *should* be discarded. If a command interpreter takes single-character commands, but occasionally reads a Lisp object, then if the whitespace after a symbol is not discarded it might be interpreted as a command some time later after the symbol had been read.

Note that **read-preserving-whitespace** behaves *exactly* like **read** when the *recursive-p* argument is not **nil**. The distinction is established only by calls with *recursive-p* equal to **nil** or omitted.

*[Function]* **read-delimited-list** *char* &optional *input-stream recursive-p*

This reads objects from *stream* until the next character after an object's representation (ignoring whitespace characters and comments) is *char*. (The



*char* should not have whitespace syntax in the current readtable.) A list of the objects read is returned.

To be more precise, **read-delimited-list** looks ahead at each step for the next non-whitespace character and peeks at it as if with **peek-char**. If it is *char*, then the character is consumed and the list of objects is returned. If it is a constituent or escape character, then **read** is used to read an object, which is added to the end of the list. If it is a macro character, the associated macro function is called; if the function returns a value, that value is added to the list. The peek-ahead process is then repeated.

X3J13 voted in January 1989 to clarify the interaction of **peek-char** with echo streams. These changes indirectly affect the echoing behavior of the function **read-delimited-list**.

This function is particularly useful for defining new macro characters. Usually it is desirable for the terminating character *char* to be a terminating macro character so that it may be used to delimit tokens; however, **read-delimited-list** makes no attempt to alter the syntax specified for *char* by the current readtable. The user must make any necessary changes to the readtable syntax explicitly. The following example illustrates this.

Suppose you wanted **#{a b c ... z}** to be read as a list of all pairs of the elements *a*, *b*, *c*, ..., *z*; for example:

**#{p q z a}** reads as ((p q) (p z) (p a) (q z) (q a) (z a))

This can be done by specifying a macro-character definition for **#{** that does two things: read in all the items up to the **}**, and construct the pairs. **read-delimited-list** performs the first task.

Note that **mapcon** allows the mapped function to examine the items of the list after the current one, and that **mapcon** uses **nconc**, which is all right because **mapcar** will produce fresh lists.

```
(defun |#{-reader| (stream char arg)
  (declare (ignore char arg))
  (mapcon #'(lambda (x)
    (mapcar #'(lambda (y) (list (car x) y)) (cdr x)))
    (read-delimited-list #\} stream t)))
```

```
(set-dispatch-macro-character #\# #\{ #'|#{-reader|)
```

```
(set-macro-character #\} (get-macro-character #\} nil))
```

(Note that `t` is specified for the *recursive-p* argument.)

It is necessary here to give a definition to the character `}` as well to prevent it from being a constituent. If the line

```
(set-macro-character #\} (get-macro-character #\} nil))
```

shown above were not included, then the `}` in

```
#{p q z a}
```

would be considered a constituent character, part of the symbol named `a}`. One could correct for this by putting a space before the `}`, but it is better simply to use the call to **set-macro-character**.

Giving `}` the same definition as the standard definition of the character `)` has the twin benefit of making it terminate tokens for use with **read-delimited-list** and also making it illegal for use in any other context (that is, attempting to read a stray `}` will signal an error).

Note that **read-delimited-list** does not take an *eof-error-p* (or *eof-value*) argument. The reason is that it is always an error to hit end-of-file during the operation of **read-delimited-list**.

*[Function]* **read-line** &optional *input-stream eof-error-p eof-value*  
*recursive-p*

**read-line** reads in a line of text terminated by a newline. It returns the line as a character string (*without* the newline character). This function is usually used to get a line of input from the user. A second returned value is a flag that is false if the line was terminated normally, or true if end-of-file terminated the (non-empty) line. If end-of-file is encountered immediately (that is, appears to terminate an empty line), then end-of-file processing

is controlled in the usual way by the *eof-error-p*, *eof-value*, and *recursive-p* arguments.

The corresponding output function is **write-line**.

[Function] **read-char** &optional *input-stream eof-error-p eof-value recursive-p*

**read-char** inputs one character from *input-stream* and returns it as a character object.

The corresponding output function is **write-char**.

X3J13 voted in January 1989 to clarify the interaction of **read-char** with echo streams (as created by **make-echo-stream**). A character is echoed from the input stream to the associated output stream the first time it is seen. If a character is read again because of an intervening **unread-char** operation, the character is not echoed again when read for the second time or any subsequent time.

[Function] **unread-char** *character* &optional *input-stream*

**unread-char** puts the *character* onto the front of *input-stream*. The *character* must be the same character that was most recently read from the *input-stream*. The *input-stream* “backs up” over this character; when a character is next read from *input-stream*, it will be the specified character followed by the previous contents of *input-stream*. **unread-char** returns **nil**.

One may apply **unread-char** only to the character most recently read from *input-stream*. Moreover, one may not invoke **unread-char** twice consecutively without an intervening **read-char** operation. The result is that one may back up only by one character, and one may not insert any characters into the input stream that were not already there.

X3J13 voted in January 1989 to clarify that one also may not invoke **unread-char** after invoking **peek-char** without an intervening **read-char** operation. This is consistent with the notion that **peek-char** behaves much like **read-char** followed by **unread-char**.

---

**Rationale:** This is not intended to be a general mechanism, but rather an efficient mechanism for allowing the Lisp reader and other parsers to perform one-character lookahead in the input stream. This protocol admits a wide variety of efficient implementations, such as simply decrementing a buffer pointer. To have to specify the character in the call to **unread-char** is admittedly redundant, since at any given

time there is only one character that may be legally specified. The redundancy is intentional, again to give the implementation latitude.

---

X3J13 voted in January 1989 to clarify the interaction of **unread-char** with echo streams (as created by **make-echo-stream**). When a character is “unread” from an echo stream, no attempt is made to “unecho” the character. However, a character placed back into an echo stream by **unread-char** will not be re-echoed when it is subsequently re-read by **read-char**.

[Function] **peek-char** &optional *peek-type* *input-stream* *eof-error-p*  
*eof-value* *recursive-p*

What **peek-char** does depends on the *peek-type*, which defaults to **nil**. With a *peek-type* of **nil**, **peek-char** returns the next character to be read from *input-stream*, without actually removing it from the input stream. The next time input is done from *input-stream*, the character will still be there. It is as if one had called **read-char** and then **unread-char** in succession.

If *peek-type* is **t**, then **peek-char** skips over whitespace characters (but not comments) and then performs the peeking operation on the next character. This is useful for finding the (possible) beginning of the next printed representation of a Lisp object. The last character examined (the one that starts an object) is not removed from the input stream.

If *peek-type* is a character object, then **peek-char** skips over input characters until a character that is **char=** to that object is found; that character is left in the input stream.

X3J13 voted in January 1989 to clarify the interaction of **peek-char** with echo streams (as created by **make-echo-stream**). When a character from an echo stream is only peeked at, it is not echoed at that time. The character remains in the input stream and may be echoed when read by **read-char** at a later time. Note, however, that if the *peek-type* is not **nil**, then characters skipped over (and therefore consumed) by **peek-char** are treated as if they had been read by **read-char**, and will be echoed if **read-char** would have echoed them.

[Function] **listen** &optional *input-stream*

The predicate **listen** is true if there is a character immediately available from *input-stream*, and is false if not. This is particularly useful when the stream obtains characters from an interactive device such as a keyboard. A call to **read-char** would simply wait until a character was available, but **listen** can sense whether or not input is available and allow the program to decide whether or not to attempt input. On a non-interactive stream, the general rule is that **listen** is true except when at end-of-file.

[Function] **read-char-no-hang** &optional *input-stream* *eof-error-p*  
*eof-value* *recursive-p*

This function is exactly like **read-char**, except that if it would be necessary to wait in order to get a character (as from a keyboard), **nil** is im-

mediately returned without waiting. This allows one to efficiently check for input availability and get the input if it is available. This is different from the **listen** operation in two ways. First, **read-char-no-hang** potentially reads a character, whereas **listen** never inputs a character. Second, **listen** does not distinguish between end-of-file and no input being available, whereas **read-char-no-hang** does make that distinction, returning *eof-value* at end-of-file (or signaling an error if no *eof-error-p* is true) but always returning **nil** if no input is available.

[Function] **clear-input** &optional *input-stream*

This clears any buffered input associated with *input-stream*. It is primarily useful for clearing type-ahead from keyboards when some kind of asynchronous error has occurred. If this operation doesn't make sense for the stream involved, then **clear-input** does nothing. **clear-input** returns **nil**.

[Function] **read-from-string** *string* &optional *eof-error-p* *eof-value* &key *:start* *:end* *:preserve-whitespace*

The characters of *string* are given successively to the Lisp reader, and the Lisp object built by the reader is returned. Macro characters and so on will all take effect.

The arguments **:start** and **:end** delimit a substring of *string* beginning at the character indexed by **:start** and up to but not including the character indexed by **:end**. By default **:start** is **0** (the beginning of the string) and **:end** is **(length *string*)**. This is the same as for other string functions.

The flag **:preserve-whitespace**, if provided and not **nil**, indicates that the operation should preserve whitespace as for **read-preserving-whitespace**. It defaults to **nil**.

As with other reading functions, the arguments *eof-error-p* and *eof-value* control the action if the end of the (sub)string is reached before the operation is completed; reaching the end of the string is treated as any other end-of-file event.

**read-from-string** returns two values: the first is the object read, and the second is the index of the first character in the string not read. If the entire string was read, the second result will be either the length of the string or one greater than the length of the string. The parameter **:preserve-whitespace** may affect this second value.

(read-from-string "(a b c)") ⇒ (a b c) and 7

*[Function]* **parse-integer** *string* &key *:start :end :radix :junk-allowed*

This function examines the substring of *string* delimited by **:start** and **:end** (which default to the beginning and end of the string). It skips over whitespace characters and then attempts to parse an integer. The **:radix** parameter defaults to **10** and must be an integer between 2 and 36.

If **:junk-allowed** is not **nil**, then the first value returned is the value of the number parsed as an integer or **nil** if no syntactically correct integer was seen.

If **:junk-allowed** is **nil** (the default), then the entire substring is scanned. The returned value is the value of the number parsed as an integer. An error is signaled if the substring does not consist entirely of the representation of an integer, possibly surrounded on either side by whitespace characters.

In either case, the second value is the index into the string of the delimiter that terminated the parse, or it is the index beyond the substring if the parse terminated at the end of the substring (as will always be the case if **:junk-allowed** is false).

Note that **parse-integer** does not recognize the syntactic radix-specifier prefixes **#O**, **#B**, **#X**, and **#nR**, nor does it recognize a trailing decimal point. It permits only an optional sign (+ or -) followed by a non-empty sequence of digits in the specified radix.

*[Function]* **read-sequence** *sequence input-stream* &key *:start :end*

This function reads elements from *input-stream* into *sequence*. The position of the first unchanged element of *sequence* is returned.

### 22.2.2 Input from Binary Streams

Common Lisp currently specifies only a very simple facility for binary input: the reading of a single byte as an integer.

*[Function]* **read-byte** *binary-input-stream* &optional *eof-error-p eof-value*

**read-byte** reads one byte from the *binary-input-stream* and returns it in the form of an integer.

## 22.3 Output Functions

The output functions are divided into two groups: those that operate on streams of characters and those that operate on streams of binary data. The function **format** operates on streams of characters but is described in a section separate from the other character-output functions because of its great complexity.

### 22.3.1 Output to Character Streams

These functions all take an optional argument called *output-stream*, which is where to send the output. If unsupplied or **nil**, *output-stream* defaults to the value of the variable **\*standard-output\***. If it is **t**, the value of the variable **\*terminal-io\*** is used.

X3J13 voted in June 1989 to add the keyword argument **:readably** to the function **write**, and voted in June 1989 to add the keyword arguments **:right-margin**, **:miser-width**, **:lines**, and **:pprint-dispatch**. The revised description is as follows.

*[Function]* **write** *object &key :stream :escape :radix :base :circle :pretty :level :length :case :gensym :array :readably :right-margin :miser-width :lines :pprint-dispatch*

The printed representation of *object* is written to the output stream specified by **:stream**, which defaults to the value of **\*standard-output\***.

The other keyword arguments specify values used to control the generation of the printed representation. Each defaults to the value of the corresponding global variable: see **\*print-escape\***, **\*print-radix\***, **\*print-base\***, **\*print-circle\***, **\*print-pretty\***, **\*print-level\***, **\*print-length\***, and **\*print-case\***, in addition to **\*print-array\***, **\*print-gensym\***, **\*print-readably\***, **\*print-right-margin\***, **\*print-miser-width\***, **\*print-lines\***, and **\*print-pprint-dispatch\***. (This is the means by which these variables affect printing operations: supplying default values for the **write** function.) Note that the printing of symbols is also affected by the value of the variable **\*package\***. **write** returns *object*.

*[Function]* **prin1** *object &optional output-stream*  
*[Function]* **print** *object &optional output-stream*



[Function] **pprint** *object* &optional *output-stream*

[Function] **princ** *object* &optional *output-stream*

**prin1** outputs the printed representation of *object* to *output-stream*. Escape characters are used as appropriate. Roughly speaking, the output from **prin1** is suitable for input to the function **read**. **prin1** returns the *object* as its value.

(prin1 *object* *output-stream*)

≡ (write *object* :stream *output-stream* :escape t)

**print** is just like **prin1** except that the printed representation of *object* is preceded by a newline (see **terpri**) and followed by a space. **print** returns *object*.

**pprint** is just like **print** except that the trailing space is omitted and the *object* is printed with the **\*print-pretty\*** flag non-**nil** to produce “pretty” output. **pprint** returns no values (that is, what the expression (**values**) returns: zero values).

X3J13 voted in January 1989 to adopt a facility for user-controlled pretty printing (see chapter 27).

**princ** is just like **prin1** except that the output has no escape characters. A symbol is printed as simply the characters of its print name; a string is printed without surrounding double quotes; and there may be differences for other data types as well. The general rule is that output from **princ** is intended to look good to people, while output from **prin1** is intended to be acceptable to the function **read**. X3J13 voted in June 1987 to clarify that **princ** prints a character in exactly the same manner as **write-char**: the character is simply sent to the output *stream*. This was implied by the specification in section 22.1.6 in the first edition, but is worth pointing out explicitly here. **princ** returns the *object* as its value.

(princ *object* *output-stream*)

≡ (write *object* :stream *output-stream* :escape **nil**)

[Function] **write-to-string** *object* &key *:escape* *:radix* *:base* *:circle* *:pretty*  
*:level* *:length* *:case* *:gensym* *:array* *:readably* *:right-margin* *:miser-width*  
*:lines* *:pprint-dispatch*

[Function] **prin1-to-string** *object*

[Function] **princ-to-string** *object*

The object is effectively printed as if by **write**, **prin1**, or **princ**, respectively, and the characters that would be output are made into a string, which is returned.

[Function] **write-char** *character* &optional *output-stream*

**write-char** outputs the *character* to *output-stream*, and returns *character*.

[Function] **write-string** *string* &optional *output-stream* &key *:start* *:end*

[Function] **write-line** *string* &optional *output-stream* &key *:start* *:end*

**write-string** writes the characters of the specified substring of *string* to the *output-stream*. The **:start** and **:end** parameters delimit a substring of *string* in the usual manner (see chapter 14). **write-line** does the same thing but then outputs a newline afterwards. (See **read-line**.) In either case, the *string* is returned (*not* the substring delimited by **:start** and **:end**). In some implementations these may be much more efficient than an explicit loop using **write-char**.

[Function] **write-sequence** *sequence* *output-stream* &key *:start* *:end*

**write-sequence** writes the elements of the subsequence of *sequence* bounded by *start* and *end* to *output-stream*.

[Function] **terpri** &optional *output-stream*

[Function] **fresh-line** &optional *output-stream*

The function **terpri** outputs a newline to *output-stream*. It is identical in effect to (**write-char** **#\Newline** *output-stream*); however, **terpri** always returns **nil**.

**fresh-line** is similar to **terpri** but outputs a newline only if the stream is not already at the start of a line. (If for some reason this cannot be determined, then a newline is output anyway.) This guarantees that the stream will be on a “fresh line” while consuming as little vertical distance as possible. **fresh-line** is a predicate that is true if it output a newline, and otherwise false.

*[Function]* **finish-output** &optional *output-stream*

*[Function]* **force-output** &optional *output-stream*

*[Function]* **clear-output** &optional *output-stream*

Some streams may be implemented in an asynchronous or buffered manner. The function **finish-output** attempts to ensure that all output sent to *output-stream* has reached its destination, and only then returns **nil**. **force-output** initiates the emptying of any internal buffers but returns **nil** without waiting for completion or acknowledgment.

The function **clear-output**, on the other hand, attempts to abort any outstanding output operation in progress in order to allow as little output as possible to continue to the destination. This is useful, for example, to abort a lengthy output to the terminal when an asynchronous error occurs. **clear-output** returns **nil**.

The precise actions of all three of these operations are implementation-dependent.

*[Macro]* **print-unreadable-object** (*object stream*  
 [[:**type** *type* | **:identity** *id*]])  
 {*declaration*}\* {*form*}\*

Function will output a printed representation of *object* on *stream*, beginning with #< and ending with >. Everything output to the *stream* during execution of the body forms is enclosed in the angle brackets. If *type* is true, the body output is preceded by a brief description of the object's type and a space character. If *id* is true, the body output is followed by a space character and a representation of the object's identity, typically a storage address.

If **\*print-readably\*** is true, **print-unreadable-object** signals an error of type **print-not-readable** without printing anything.

The *object*, *stream*, *type*, and *id* arguments are all evaluated normally. The *type* and *id* default to false. It is valid to provide no body forms. If *type* and *id* are both true and there are no body forms, only one space character separates the printed type and the printed identity.

The value returned by **print-unreadable-object** is **nil**.

```
(defmethod print-object ((obj airplane) stream)
  (print-unreadable-object (obj stream :type t :identity t)
    (princ (tail-number obj) stream)))
```

```
(print my-airplane) prints
#<Airplane NW0773 777500123135> ;In implementation A
      or perhaps
#<FAA:AIRPLANE NW0773 17> ;In implementation B
```

The big advantage of **print-unreadable-object** is that it allows a user to write **print-object** methods that adhere to implementation-specific style without requiring the user to write implementation-dependent code.

The X3J13 vote left it unclear whether **print-unreadable-object** permits declarations to appear before the body of the macro call. I believe that was the intent, and this is reflected in the syntax shown above; but this is only my interpretation.

### 22.3.2 Output to Binary Streams

Common Lisp currently specifies only a very simple facility for binary output: the writing of a single byte as an integer.

*[Function]* **write-byte** *integer binary-output-stream*

**write-byte** writes one byte, the value of *integer*. It is an error if *integer* is not of the type specified as the **:element-type** argument to **open** when the stream was created. The value *integer* is returned.

### 22.3.3 Formatted Output to Character Streams

The function **format** is very useful for producing nicely formatted text, producing good-looking messages, and so on. **format** can generate a string or output to a stream.

Formatted output is performed not only by the **format** function itself but by certain other functions that accept a control string “the way **format** does.” For example, error-signaling functions such as **error** accept **format** control strings.

*[Function]* **format** *destination control-string &rest arguments*

**format** is used to produce formatted output. **format** outputs the characters of *control-string*, except that a tilde (~) introduces a directive. The

character after the tilde, possibly preceded by prefix parameters and modifiers, specifies what kind of formatting is desired. Most directives use one or more elements of *arguments* to create their output; the typical directive puts the next element of *arguments* into the output, formatted in some special way. It is an error if no argument remains for a directive requiring an argument, but it is not an error if one or more arguments remain unprocessed by a directive.

The output is sent to *destination*. If *destination* is **nil**, a string is created that contains the output; this string is returned as the value of the call to **format**.

When the first argument to **format** is **nil**, **format** creates a stream of type **string-stream** in much the same manner as **with-output-to-string**. (This stream may be visible to the user if, for example, the **~S** directive is used to print a **defstruct** structure that has a user-supplied print function.)

In all other cases **format** returns **nil**, performing output to *destination* as a side effect. If *destination* is a stream, the output is sent to it. If *destination* is **t**, the output is sent to the stream that is the value of the variable **\*standard-output\***. If *destination* is a string with a fill pointer, then in effect the output characters are added to the end of the string (as if by use of **vector-push-extend**).

The **format** function includes some extremely complicated and specialized features. It is not necessary to understand all or even most of its features to use **format** effectively. The beginner should skip over anything in the following documentation that is not immediately useful or clear. The more sophisticated features (such as conditionals and iteration) are there for the convenience of programs with especially complicated formatting requirements.

A **format** directive consists of a tilde (**~**), optional prefix parameters separated by commas, optional colon (**:**) and at-sign (**@**) modifiers, and a single character indicating what kind of directive this is. The alphabetic case of the directive character is ignored. The prefix parameters are generally integers, notated as optionally signed decimal numbers.

If both colon and at-sign modifiers are present, they may appear in either order; thus **~:@R** and **~@:R** mean the same thing. However, it is traditional to put the colon first, and all the examples in this book put colons before at-signs.

Examples of control strings:

```

"~S"           ;An ~S directive with no parameters or modifiers
"~3,-4:@s"     ;An ~S directive with two parameters, 3 and -4,
                ; and both the colon and at-sign flags
"~,+4S"        ;First prefix parameter is omitted and takes
                ; on its default value; the second parameter is 4

```

Sometimes a prefix parameter is used to specify a character, for instance the padding character in a right- or left-justifying operation. In this case a single quote (') followed by the desired character may be used as a prefix parameter, to mean the character object that is the character following the single quote. For example, you can use `~5,'0d` to print an integer in decimal radix in five columns with leading zeros, or `~5,'*d` to get leading asterisks.

In place of a prefix parameter to a directive, you can put the letter **V** (or **v**), which takes an argument from *arguments* for use as a parameter to the directive. Normally this should be an integer or character object, as appropriate. This feature allows variable-width fields and the like. If the argument used by a **V** parameter is **nil**, the effect is as if the parameter had been omitted. You may also use the character `#` in place of a parameter; it represents the number of arguments remaining to be processed.

It is an error to give a format directive more parameters than it is described here as accepting. It is also an error to give colon or at-sign modifiers to a directive in a combination not specifically described here as being meaningful.

X3J13 voted in January 1989 to clarify the interaction between **format** and the various printer control variables (those named **\*print-xxx\***). This is important because many **format** operations are defined, directly or indirectly, in terms of **prin1** or **princ**, which are affected by the printer control variables. The general rule is that **format** does not bind any of the standard printer control variables except as specified in the individual descriptions of directives. An implementation may not bind any standard printer control variable not specified in the description of a **format** directive, nor may an implementation fail to bind any standard printer control variables that is specified to be bound by such a description. (See these descriptions for specific changes voted by X3J13.)

One consequence of this change is that the user is guaranteed to be able to use the **format** **~A** and **~S** directives to do pretty printing, under control of the **\*print-pretty\*** variable. Implementations have differed on this point in their interpretations of the first edition. The new **~W** directive may be more appropriate than either **~A** and **~S** for some purposes, whether for pretty printing or ordinary printing. See section 27.4 for a discussion of **~W** and other new **format** directives related to pretty printing.

Here are some relatively simple examples to give you the general flavor of how **format** is used.

```
(format nil "foo") ⇒ "foo"
```

```
(setq x 5)
```

```
(format nil "The answer is ~D." x) ⇒ "The answer is 5."
```

```
(format nil "The answer is ~3D." x) ⇒ "The answer is  5."
```

```
(format nil "The answer is ~3,'0D." x) ⇒ "The answer is 005."
```

```
(format nil "The answer is ~:D." (expt 47 x))
  ⇒ "The answer is 229,345,007."
```

```
(setq y "elephant")
```

```
(format nil "Look at the ~A!" y) ⇒ "Look at the elephant!"
```

```
(format nil "Type ~:C to ~A."
  (set-char-bit #\D :control t)
  "delete all your files")
⇒ "Type Control-D to delete all your files."
```



```
(setq n 3)
```

```
(format nil "~D item~:P found." n) ⇒ "3 items found."
```

```
(format nil "~R dog~:[s are~; is~] here." n (= n 1))
⇒ "three dogs are here."
```

```
(format nil "~R dog~:*~[s are~; is~;;s are~] here." n)
⇒ "three dogs are here."
```

```
(format nil "Here ~[are~;is~;;are~] ~:*~R pupp~:@P." n)
⇒ "Here are three puppies."
```

In the descriptions of the directives that follow, the term *arg* in general refers to the next item of the set of *arguments* to be processed. The word or phrase at the beginning of each description is a mnemonic (not necessarily an accurate one) for the directive.

**~A** *Ascii*. An *arg*, any Lisp object, is printed without escape characters (as by **princ**). In particular, if *arg* is a string, its characters will be output verbatim. If *arg* is **nil**, it will be printed as **nil**; the colon modifier (**~:A**) will cause an *arg* of **nil** to be printed as **()**, but if *arg* is a composite structure, such as a list or vector, any contained occurrences of **nil** will still be printed as **nil**.

**~mincolA** inserts spaces on the right, if necessary, to make the width at least *mincol* columns. The **@** modifier causes the spaces to be inserted on the left rather than the right.

**~mincol,colinc,minpad,padcharA** is the full form of **~A**, which allows elaborate control of the padding. The string is padded on the right (or on the left if the **@** modifier is used) with at least *minpad* copies of *padchar*; padding characters are then inserted *colinc* characters at a time until the total width is at least *mincol*. The defaults are **0** for *mincol* and *minpad*, **1** for *colinc*, and the space character for *padchar*.

**format** binds **\*print-escape\*** to **nil** during the processing of the **~A** directive.

**~S** *S-expression*. This is just like **~A**, but *arg* is printed *with* escape characters (as by **prin1** rather than **princ**). The output is therefore suitable

for input to **read**. **~S** accepts all the arguments and modifiers that **~A** does.

**format** binds **\*print-escape\*** to **t** during the processing of the **~S** directive.

`~D` *Decimal*. An *arg*, which should be an integer, is printed in decimal radix. `~D` will never put a decimal point after the number.

`~mincolD` uses a column width of *mincol*; spaces are inserted on the left if the number requires fewer than *mincol* columns for its digits and sign. If the number doesn't fit in *mincol* columns, additional columns are used as needed.

`~mincol,padcharD` uses *padchar* as the pad character instead of space.

If *arg* is not an integer, it is printed in `~A` format and decimal base.

`format` binds `*print-escape*` to `nil`, `*print-radix*` to `nil`, and `*print-base*` to `10` during processing of `~D`.

The `@` modifier causes the number's sign to be printed always; the default is to print it only if the number is negative. The `:` modifier causes commas to be printed between groups of three digits; the third prefix parameter may be used to change the character used as the comma. Thus the most general form of `~D` is `~mincol,padchar,commacharD`.

X3J13 voted in March 1988 to add a fourth parameter, the *commainterval*. This must be an integer; if it is not provided, it defaults to 3. This parameter controls the number of digits in each group separated by the *commachar*.

By extension, each of the `~B`, `~O`, and `~X` directives accepts a *commainterval* as a fourth parameter, and the `~R` directive accepts a *commainterval* as its fifth parameter. Examples:

```
(format nil "~,' ,4B" #xFACE) => "1111 1010 1100 1110"
```

```
(format nil "~,' ,4B" #x1CE) => "1 1100 1110"
```

```
(format nil "~19,' ,4B" #xFACE) => "1111 1010 1100 1110"
```

```
(format nil "~19,' ,4B" #x1CE) => "0000 0001 1100 1110"
```

This is one of those little improvements that probably don't matter much but aren't hard to implement either. It was pretty silly having the number 3 wired into the definition of comma separation when it is just as easy to make it a parameter.

**~B** *Binary.* This is just like **~D** but prints in binary radix (radix 2) instead of decimal. The full form is therefore **~mincol,padchar,commacharB**.

**format** binds **\*print-escape\*** to **nil**, **\*print-radix\*** to **nil**, and **\*print-base\*** to **2** during processing of **~B**.

**~O** *Octal.* This is just like **~D** but prints in octal radix (radix 8) instead of decimal. The full form is therefore **~mincol,padchar,commacharO**.

**format** binds **\*print-escape\*** to **nil**, **\*print-radix\*** to **nil**, and **\*print-base\*** to **8** during processing of **~O**.

**~X** *Hexadecimal.* This is just like **~D** but prints in hexadecimal radix (radix 16) instead of decimal. The full form is therefore **~mincol,padchar,commacharX**.

**format** binds **\*print-escape\*** to **nil**, **\*print-radix\*** to **nil**, and **\*print-base\*** to **16** during processing of **~X**.

**~R** *Radix.* **~nR** prints *arg* in radix *n*. The modifier flags and any remaining parameters are used as for the **~D** directive. Indeed, **~D** is the same as **~10R**. The full form here is therefore **~radix,mincol,padchar,commacharR**.

**format** binds **\*print-escape\*** to **nil**, **\*print-radix\*** to **nil**, and **\*print-base\*** to the value of the first parameter during the processing of the **~R** directive with a parameter.

If no parameters are given to **~R**, then an entirely different interpretation is given. *Notice of correction.* In the first edition, this sentence referred to “arguments” given to **~R**. The correct term is “parameters.” The argument should be an integer; suppose it is **4**. Then **~R** prints *arg* as a cardinal English number: **four**; **~:R** prints *arg* as an ordinal English number: **fourth**; **~@R** prints *arg* as a Roman numeral: **IV**; and **~:@R** prints *arg* as an old Roman numeral: **IIII**.

**format** binds **\*print-base\*** to **10** during the processing of the **~R** directive with no parameter.

The first edition did not specify how **~R** and its variants should handle arguments that are very large or not positive. Actual practice varies, and X3J13 has not yet addressed the topic. Here is a sampling of current practice.

For  $\sim\text{@R}$  and  $\sim\text{:@R}$ , nearly all implementations produce Roman numerals only for integers in the range 1 to 3999, inclusive. Some implementations will produce old-style Roman numerals for integers in the range 1 to 4999, inclusive. All other integers are printed in decimal notation, as if  $\sim\text{D}$  had been used.

For zero, most implementations print **zero** for  $\sim\text{R}$  and **zeroth** for  $\sim\text{:R}$ .

For  $\sim\text{R}$  with a negative argument, most implementations simply print the word **minus** followed by its absolute value as a cardinal in English.

For  $\sim\text{:R}$  with a negative argument, some implementations also print the word **minus** followed by its absolute value as an ordinal in English; other implementations print the absolute value followed by the word **previous**. Thus the argument **-4** might produce **minus fourth** or **fourth previous**. Each has its charm, but one is not always a suitable substitute for the other; users should be careful.

There is standard English nomenclature for fairly large integers (up to  $10^{60}$ , at least), based on appending the suffix *-illion* to Latin names of integers. Thus we have the names *trillion*, *quadrillion*, *sextillion*, *septillion*, and so on. For extremely large integers, one may express powers of ten in English. One implementation gives **1606938044258990275541962092341162602522202993782792835301376** (which is  $2^{200}$ , the result of (**ash 1 200**)) in this manner:

one times ten to the sixtieth power six hundred six times ten to the fifty-seventh power nine hundred thirty-eight septdecillion forty-four sexdecillion two hundred fifty-eight quindecillion nine hundred ninety quattuordecillion two hundred seventy-five tredecillion five hundred forty-one duodecillion nine hundred sixty-two undecillion ninety-two decillion three hundred forty-one nonillion one hundred sixty-two octillion six hundred two septillion five hundred twenty-two sextillion two hundred two quintillion nine hundred ninety-three quadrillion seven hundred eighty-two trillion seven hundred ninety-two billion eight hundred thirty-five million three hundred one thousand three hundred seventy-six

Another implementation prints it this way (note the use of **plus**):

one times ten to the sixtieth power plus six hundred six times ten to the fifty-seventh power plus ... plus two hundred seventy-five times ten to the

forty-second power plus five hundred forty-one duodecillion nine hundred sixty-two undecillion ... three hundred seventy-six

(I have elided some of the text here to save space.)

Unfortunately, the meaning of this nomenclature differs between American English (in which  $k$ -illion means  $10^{3(k+1)}$ , so one trillion is  $10^{12}$ ) and British English (in which  $k$ -illion means  $10^{6k}$ , so one trillion is  $10^{18}$ ). To avoid both confusion and prolixity, I recommend using decimal notation for all numbers above 999,999,999; this is similar to the escape hatch used for Roman numerals.

**~P** *Plural*. If *arg* is not **eq1** to the integer **1**, a lowercase **s** is printed; if *arg* is **eq1** to **1**, nothing is printed. (Notice that if *arg* is a floating-point **1.0**, the **s** is printed.) **~:P** does the same thing, after doing a **~:\*** to back up one argument; that is, it prints a lowercase **s** if the *last* argument was not **1**. This is useful after printing a number using **~D**. **~@P** prints **y** if the argument is **1**, or **ies** if it is not. **~:@P** does the same thing, but backs up first.

```
(format nil "~D tr~:@P/~D win~:P" 7 1) => "7 tries/1 win"
(format nil "~D tr~:@P/~D win~:P" 1 0) => "1 try/0 wins"
(format nil "~D tr~:@P/~D win~:P" 1 3) => "1 try/3 wins"
```

**~C** *Character*. The next *arg* should be a character; it is printed according to the modifier flags.

**~C** prints the character in an implementation-dependent abbreviated format. This format should be culturally compatible with the host environment.

X3J13 voted in June 1987 to specify that **~C** performs exactly the same action as **write-char** if the character to be printed has zero for its bits attributes. X3J13 voted in March 1989 to eliminate the bits and font attributes, replacing them with the notion of implementation-defined attributes. The net effect is that characters whose implementation-defined attributes all have the “standard” values should be printed by **~C** in the same way that **write-char** would print them.

**~:C** spells out the names of the control bits and represents non-printing characters by their names: **Control-Meta-F**, **Control-Return**, **Space**. This is a “pretty” format for printing characters.

$\sim$ :@C prints what  $\sim$ :C would, and then if the character requires unusual shift keys on the keyboard to type it, this fact is mentioned: **Control- $\partial$  (Top-F)**. This is the format for telling the user about a key he or she is expected to type, in prompts, for instance. The precise output may depend not only on the implementation but on the particular I/O devices in use.

$\sim$ @C prints the character so that the Lisp reader can read it, using  $\#\backslash$  syntax.

X3J13 voted in January 1989 to specify that **format** binds **\*print-escape\*** to **t** during the processing of the  $\sim$ @C directive. Other variants of the  $\sim$ C directive do not bind any printer control variables.

**Rationale:** In some implementations the  $\sim$ S directive would do what  $\sim$ C does, but  $\sim$ C is compatible with Lisp dialects such as MacLisp that do not have a character data type.

$\sim$ F *Fixed-format floating-point.* The next *arg* is printed as a floating-point number.

The full form is  $\sim$ *w,d,k,overflowchar,padchar*F. The parameter *w* is the width of the field to be printed; *d* is the number of digits to print after the decimal point; *k* is a scale factor that defaults to zero.

Exactly *w* characters will be output. First, leading copies of the character *padchar* (which defaults to a space) are printed, if necessary, to pad the field on the left. If the *arg* is negative, then a minus sign is printed; if the *arg* is not negative, then a plus sign is printed if and only if the @ modifier was specified. Then a sequence of digits, containing a single embedded decimal point, is printed; this represents the magnitude of the value of *arg* times  $10^k$ , rounded to *d* fractional digits. (When rounding up and rounding down would produce printed values equidistant from the scaled value of *arg*, then the implementation is free to use either one. For example, printing the argument **6.375** using the format  $\sim$ **4,2F** may correctly produce either **6.37** or **6.38**.) Leading zeros are not permitted, except that a single zero digit is output before the decimal point if the printed value is less than 1, and this single zero digit is not output after all if  $w = d + 1$ .

If it is impossible to print the value in the required format in a field of width  $w$ , then one of two actions is taken. If the parameter *overflowchar* is specified, then  $w$  copies of that parameter are printed instead of the scaled value of *arg*. If the *overflowchar* parameter is omitted, then the scaled value is printed using more than  $w$  characters, as many more as may be needed.

If the  $w$  parameter is omitted, then the field is of variable width. In effect, a value is chosen for  $w$  in such a way that no leading pad characters need to be printed and exactly  $d$  characters will follow the decimal point. For example, the directive `~,2F` will print exactly two digits after the decimal point and as many as necessary before the decimal point.

If the parameter  $d$  is omitted, then there is no constraint on the number of digits to appear after the decimal point. A value is chosen for  $d$  in such a way that as many digits as possible may be printed subject to the width constraint imposed by the parameter  $w$  and the constraint that no trailing zero digits may appear in the fraction, except that if the fraction to be printed is zero, then a single zero digit should appear after the decimal point if permitted by the width constraint.

If both  $w$  and  $d$  are omitted, then the effect is to print the value using ordinary free-format output; `prin1` uses this format for any number whose magnitude is either zero or between  $10^{-3}$  (inclusive) and  $10^7$  (exclusive).

If  $w$  is omitted, then if the magnitude of *arg* is so large (or, if  $d$  is also omitted, so small) that more than 100 digits would have to be printed, then an implementation is free, at its discretion, to print the number using exponential notation instead, as if by the directive `~E` (with all parameters to `~E` defaulted, not taking their values from the `~F` directive).

If *arg* is a rational number, then it is coerced to be a **single-float** and then printed. (Alternatively, an implementation is permitted to process a rational number by any other method that has essentially the same behavior but avoids such hazards as loss of precision or overflow because of the coercion. However, note that if  $w$  and  $d$  are unspecified and the number has no exact decimal representation, for example `1/3`, some precision cutoff must be chosen by the implementation: only a finite



number of digits may be printed.)

If *arg* is a complex number or some non-numeric object, then it is printed using the format directive `~wD`, thereby printing it in decimal radix and a minimum field width of *w*. (If it is desired to print each of the real part and imaginary part of a complex number using a `~F` directive, then this must be done explicitly with two `~F` directives and code to extract the two parts of the complex number.)

X3J13 voted in January 1989 to specify that `format` binds `*print-escape*` to `nil` during the processing of the `~F` directive.

```
(defun foo (x)
  (format nil "~6,2F|~6,2,1,'*F|~6,2,,?F|~6F|~,2F|~F"
          x x x x x x))
(foo 3.14159) ⇒ " 3.14| 31.42| 3.14|3.1416|3.14|3.14159"
(foo -3.14159) ⇒ "-3.14|-31.42| -3.14|-3.142|-3.14|-3.14159"
(foo 100.0) ⇒ "100.00|*****|100.00| 100.0|100.00|100.0"
(foo 1234.0) ⇒ "1234.00|*****|??????|1234.0|1234.00|1234.0"
(foo 0.006) ⇒ " 0.01| 0.06| 0.01| 0.006|0.01|0.006"
```

`~E` *Exponential floating-point*. The next *arg* is printed in exponential notation.

The full form is `~w,d,e,k,overflowchar,padchar,exponentcharE`. The parameter *w* is the width of the field to be printed; *d* is the number of digits to print after the decimal point; *e* is the number of digits to use when printing the exponent; *k* is a scale factor that defaults to 1 (not zero).

Exactly *w* characters will be output. First, leading copies of the character *padchar* (which defaults to a space) are printed, if necessary, to pad the field on the left. If the *arg* is negative, then a minus sign is printed; if the *arg* is not negative, then a plus sign is printed if and only if the `@` modifier was specified. Then a sequence of digits, containing a single embedded decimal point, is printed. The form of this sequence of digits depends on the scale factor *k*. If *k* is zero, then *d* digits are printed after the decimal point, and a single zero digit appears before the decimal point if the total field width will permit it. If *k* is positive, then it must be strictly less than *d* + 2; *k* significant digits are printed

before the decimal point, and  $d - k + 1$  digits are printed after the decimal point. If  $k$  is negative, then it must be strictly greater than  $-d$ ; a single zero digit appears before the decimal point if the total field width will permit it, and after the decimal point are printed first  $-k$  zeros and then  $d + k$  significant digits. The printed fraction must be properly rounded. (When rounding up and rounding down would produce printed values equidistant from the scaled value of *arg*, then the implementation is free to use either one. For example, printing **637.5** using the format `~8,2E` may correctly produce either **6.37E+02** or **6.38E+02**.)

Following the digit sequence, the exponent is printed. First the character parameter *exponentchar* is printed; if this parameter is omitted, then the exponent marker that **prin1** would use is printed, as determined from the type of the floating-point number and the current value of `*read-default-float-format*`. Next, either a plus sign or a minus sign is printed, followed by  $e$  digits representing the power of 10 by which the printed fraction must be multiplied to properly represent the rounded value of *arg*.

If it is impossible to print the value in the required format in a field of width  $w$ , possibly because  $k$  is too large or too small or because the exponent cannot be printed in  $e$  character positions, then one of two actions is taken. If the parameter *overflowchar* is specified, then  $w$  copies of that parameter are printed instead of the scaled value of *arg*. If the *overflowchar* parameter is omitted, then the scaled value is printed using more than  $w$  characters, as many more as may be needed; if the problem is that  $d$  is too small for the specified  $k$  or that  $e$  is too small, then a larger value is used for  $d$  or  $e$  as may be needed.

If the  $w$  parameter is omitted, then the field is of variable width. In effect a value is chosen for  $w$  in such a way that no leading pad characters need to be printed.

If the parameter  $d$  is omitted, then there is no constraint on the number of digits to appear. A value is chosen for  $d$  in such a way that as many digits as possible may be printed subject to the width constraint imposed by the parameter  $w$ , the constraint of the scale factor  $k$ , and the constraint that no trailing zero digits may appear in the fraction, except that if the fraction to be printed is zero, then a single zero digit

should appear after the decimal point if the width constraint allows it.

If the parameter  $e$  is omitted, then the exponent is printed using the smallest number of digits necessary to represent its value.

If all of  $w$ ,  $d$ , and  $e$  are omitted, then the effect is to print the value using ordinary free-format exponential-notation output; **prin1** uses this format for any non-zero number whose magnitude is less than  $10^{-3}$  or greater than or equal to  $10^7$ .

X3J13 voted in January 1989 to amend the previous paragraph as follows:

If all of  $w$ ,  $d$ , and  $e$  are omitted, then the effect is to print the value using ordinary free-format exponential-notation output; **prin1** uses a similar format for any non-zero number whose magnitude is less than  $10^{-3}$  or greater than or equal to  $10^7$ . The only difference is that the  $\sim\mathbf{E}$  directive always prints a plus or minus sign before the exponent, while **prin1** omits the plus sign if the exponent is non-negative.

(The amendment reconciles this paragraph with the specification several paragraphs above that  $\sim\mathbf{E}$  always prints a plus or minus sign before the exponent.)

If  $arg$  is a rational number, then it is coerced to be a **single-float** and then printed. (Alternatively, an implementation is permitted to process a rational number by any other method that has essentially the same behavior but avoids such hazards as loss of precision or overflow because of the coercion. However, note that if  $w$  and  $d$  are unspecified and the number has no exact decimal representation, for example  $1/3$ , some precision cutoff must be chosen by the implementation: only a finite number of digits may be printed.)

If  $arg$  is a complex number or some non-numeric object, then it is printed using the format directive  $\sim w\mathbf{D}$ , thereby printing it in decimal radix and a minimum field width of  $w$ . (If it is desired to print each of the real part and imaginary part of a complex number using a  $\sim\mathbf{E}$  directive, then this must be done explicitly with two  $\sim\mathbf{E}$  directives and code to extract the two parts of the complex number.)

X3J13 voted in January 1989 to specify that **format** binds **\*print-escape\*** to **nil** during the processing of the  $\sim\mathbf{E}$  directive.

```

(defun foo (x)
  (format nil
    "~9,2,1,,'*E|^~10,3,2,2,'?', '$E|^~9,3,2,-2,'%@E|^~9,2E"
    x x x x))
(foo 3.14159) ⇒ " 3.14E+0| 31.42$-01|+.003E+03| 3.14E+0"
(foo -3.14159) ⇒ " -3.14E+0|-31.42$-01|-.003E+03| -3.14E+0"
(foo 1100.0) ⇒ " 1.10E+3| 11.00$+02|+.001E+06| 1.10E+3"
(foo 1100.0L0) ⇒ " 1.10L+3| 11.00$+02|+.001L+06| 1.10L+3"
(foo 1.1E13) ⇒ "*****| 11.00$+12|+.001E+16| 1.10E+13"
(foo 1.1L120) ⇒ "*****|?????????|%%%%%%%%%|1.10L+120"
(foo 1.1L1200) ⇒ "*****|?????????|%%%%%%%%%|1.10L+1200"

```

Here is an example of the effects of varying the scale factor:

```

(dotimes (k 13)
  (format t " %Scale factor 2D: | 13,6,2,VE|"
    (- k 5) 3.14159)) ;Prints 13 lines
Scale factor -5: | 0.000003E+06|
Scale factor -4: | 0.000031E+05|
Scale factor -3: | 0.000314E+04|
Scale factor -2: | 0.003142E+03|
Scale factor -1: | 0.031416E+02|
Scale factor 0: | 0.314159E+01|
Scale factor 1: | 3.141590E+00|
Scale factor 2: | 31.41590E-01|
Scale factor 3: | 314.1590E-02|
Scale factor 4: | 3141.590E-03|
Scale factor 5: | 31415.90E-04|
Scale factor 6: | 314159.0E-05|
Scale factor 7: | 3141590.E-06|

```

**~G** *General floating-point.* The next *arg* is printed as a floating-point number in either fixed-format or exponential notation as appropriate.

The full form is **~w,d,e,k,overflowchar,padchar,exponentcharG**. The format in which to print *arg* depends on the magnitude (absolute value) of the *arg*. Let *n* be an integer such that  $10^{n-1} \leq \text{arg} < 10^n$ . (If *arg* is zero, let *n* be 0.) Let *ee* equal *e* + 2, or 4 if *e* is omitted. Let *ww* equal *w* - *ee*, or **nil** if *w* is omitted. If *d* is omitted, first let *q* be the number of digits needed to print *arg* with no loss of information and without leading or trailing zeros; then let *d* equal (**max q (min n 7)**). Let *dd* equal *d* - *n*.

If  $0 \leq dd \leq d$ , then *arg* is printed as if by the format directives

**~ww,dd,,overflowchar,padcharF~ee@T**

Note that the scale factor *k* is not passed to the **~F** directive. For all other values of *dd*, *arg* is printed as if by the format directive

**~w,d,e,k,overflowchar,padchar,exponentcharE**

In either case, an **@** modifier is specified to the **~F** or **~E** directive if and only if one was specified to the **~G** directive.

**format** binds **\*print-escape\*** to **nil** during the processing of the **~G** directive.

Examples:

```
(defun foo (x)
  (format nil
    "~9,2,1,,'*G|~9,3,2,3,'?,'$G|~9,3,2,0,'%G|~9,2G"
    x x x))
```

```
(foo 0.0314159) => " 3.14E-2|314.2$-04|0.314E-01| 3.14E-2"
(foo 0.314159) => " 0.31 |0.314 |0.314 | 0.31  "
(foo 3.14159) => " 3.1 | 3.14 | 3.14 | 3.1  "
(foo 31.4159) => " 31. | 31.4 | 31.4 | 31.  "
(foo 314.159) => " 3.14E+2| 314. | 314. | 3.14E+2"
(foo 3141.59) => " 3.14E+3|314.2$+01|0.314E+04| 3.14E+3"
(foo 3141.59L0) => " 3.14L+3|314.2$+01|0.314L+04| 3.14L+3"
```

```
(foo 3.14E12) ⇒ "*****|314.0$+10|0.314E+13| 3.14E+12"  
(foo 3.14L120) ⇒ "*****|????????|%%%%%%%%%|3.14L+120"  
(foo 3.14L1200) ⇒ "*****|????????|%%%%%%%%%|3.14L+1200"
```

`~$` *Dollars floating-point.* The next *arg* is printed as a floating-point number in fixed-format notation. This format is particularly convenient for printing a value as dollars and cents.

The full form is `~d,n,w,padchar$`. The parameter *d* is the number of digits to print after the decimal point (default value 2); *n* is the minimum number of digits to print before the decimal point (default value 1); *w* is the minimum total width of the field to be printed (default value 0).

First padding and the sign are output. If the *arg* is negative, then a minus sign is printed; if the *arg* is not negative, then a plus sign is printed if and only if the `@` modifier was specified. If the `:` modifier is used, the sign appears before any padding, and otherwise after the padding. If *w* is specified and the number of other characters to be output is less than *w*, then copies of *padchar* (which defaults to a space) are output to make the total field width equal *w*. Then *n* digits are printed for the integer part of *arg*, with leading zeros if necessary; then a decimal point; then *d* digits of fraction, properly rounded.

If the magnitude of *arg* is so large that more than *m* digits would have to be printed, where *m* is the larger of *w* and 100, then an implementation is free, at its discretion, to print the number using exponential notation instead, as if by the directive `~w,q,,,padcharE`, where *w* and *padchar* are present or omitted according to whether they were present or omitted in the `~$` directive, and where  $q = d + n - 1$ , where *d* and *n* are the (possibly default) values given to the `~$` directive.

If *arg* is a rational number, then it is coerced to be a **single-float** and then printed. (Alternatively, an implementation is permitted to process a rational number by any other method that has essentially the same behavior but avoids such hazards as loss of precision or overflow because of the coercion.)

If *arg* is a complex number or some non-numeric object, then it is printed using the format directive `~wD`, thereby printing it in decimal radix and a minimum field width of *w*. (If it is desired to print each of the real part and imaginary part of a complex number using a `~$` directive, then this must be done explicitly with two `~$` directives and code to extract the two parts of the complex number.)

**format** binds `*print-escape*` to `nil` during the processing of the `~$`

directive.

`~%` This outputs a `#\Newline` character, thereby terminating the current output line and beginning a new one (see **terpri**).

`~n%` outputs  $n$  newlines.

No *arg* is used. Simply putting a newline in the control string would work, but `~%` is often used because it makes the control string look nicer in the middle of a Lisp program.

`~&` Unless it can be determined that the output stream is already at the beginning of a line, this outputs a newline (see **fresh-line**).

`~n&` calls **fresh-line** and then outputs  $n - 1$  newlines. `~0&` does nothing.

`~|` This outputs a page separator character, if possible. `~n|` does this  $n$  times. `|` is vertical bar, not capital I.

`~~` *Tilde*. This outputs a tilde. `~n~` outputs  $n$  tildes.

`~<newline>` Tilde immediately followed by a newline ignores the newline and any following non-newline whitespace characters. With a `:`, the newline is ignored, but any following whitespace is left in place. With an `@`, the newline is left in place, but any following whitespace is ignored. This directive is typically used when a format control string is too long to fit nicely into one line of the program:

```
(defun type-clash-error (fn nargs argnum right-type wrong-type)
  (format *error-output*
    "~&Function ~S requires its ~:[~:R~;~*~] ~
    argument to be of type ~S,~%but it was called ~
    with an argument of type ~S.~%"
    fn (eql nargs 1) argnum right-type wrong-type))
```

`(type-clash-error 'aref nil 2 'integer 'vector)` prints:  
Function AREF requires its second argument to be of type INTEGER,  
but it was called with an argument of type VECTOR.

`(type-clash-error 'car 1 1 'list 'short-float)` prints:



Function `CAR` requires its argument to be of type `LIST`, but it was called with an argument of type `SHORT-FLOAT`.

Note that in this example newlines appear in the output only as specified by the `~&` and `~%` directives; the actual newline characters in the control string are suppressed because each is preceded by a tilde.

`~T` *Tabulate*. This spaces over to a given column. `~colnum,colincT` will output sufficient spaces to move the cursor to column `colnum`. If the cursor is already at or beyond column `colnum`, it will output spaces to move it to column `colnum+k*colinc` for the smallest positive integer `k` possible, unless `colinc` is zero, in which case no spaces are output if the cursor is already at or beyond column `colnum`. `colnum` and `colinc` default to `1`.

Ideally, the current column position is determined by examination of the destination, whether a stream or string. (Although no user-level operation for determining the column position of a stream is defined by Common Lisp, such a facility may exist at the implementation level.) If for some reason the current absolute column position cannot be determined by direct inquiry, `format` may be able to deduce the current column position by noting that certain directives (such as `~%`, or `~&`, or `~A` with the argument being a string containing a newline) cause the column position to be reset to zero, and counting the number of characters emitted since that point. If that fails, `format` may attempt a similar deduction on the riskier assumption that the destination was at column zero when `format` was invoked. If even this heuristic fails or is implementationally inconvenient, at worst the `~T` operation will simply output two spaces. (All this implies that code that uses `format` is more likely to be portable if all format control strings that use the `~T` directive either begin with `~%` or `~&` to force a newline or are designed to be used only when the destination is known from other considerations to be at column zero.)

`~@T` performs *relative* tabulation. `~colrel,colinc@T` outputs `colrel` spaces and then outputs the smallest non-negative number of additional spaces necessary to move the cursor to a column that is a multiple of `colinc`. For example, the directive `~3,8@T` outputs three spaces and then moves the cursor to a “standard multiple-of-eight tab stop” if not

at one already. If the current output column cannot be determined, however, then *colinc* is ignored, and exactly *colrel* spaces are output.

X3J13 voted in June 1989 to define  $\sim:\mathbf{T}$  and  $\sim:@\mathbf{T}$  to perform tabulation relative to a point defined by the pretty printing process (see section 27.4).

$\sim^*$  The next *arg* is ignored.  $\sim n^*$  ignores the next *n* arguments.

$\sim:^*$  “ignores backwards”; that is, it backs up in the list of arguments so that the argument last processed will be processed again.  $\sim n:^*$  backs up *n* arguments.

When within a  $\sim\{$  construct (see below), the ignoring (in either direction) is relative to the list of arguments being processed by the iteration.

$\sim n@^*$  is an “absolute goto” rather than a “relative goto”: it goes to the *n*th *arg*, where 0 means the first one; *n* defaults to 0, so  $\sim @^*$  goes back to the first *arg*. Directives after a  $\sim n@^*$  will take arguments in sequence beginning with the one gone to. When within a  $\sim\{$  construct, the “goto” is relative to the list of arguments being processed by the iteration.

$\sim?$  *Indirection.* The next *arg* must be a string, and the one after it a list; both are consumed by the  $\sim?$  directive. The string is processed as a **format** control string, with the elements of the list as the arguments. Once the recursive processing of the control string has been finished, then processing of the control string containing the  $\sim?$  directive is resumed. Example:

```
(format nil "~? ~D" "<~A ~D>" '("Foo" 5) 7) => "<Foo 5> 7"
(format nil "~? ~D" "<~A ~D>" '("Foo" 5 14) 7) => "<Foo 5> 7"
```

Note that in the second example three arguments are supplied to the control string " $<\sim\mathbf{A} \sim\mathbf{D}>$ ", but only two are processed and the third is therefore ignored.

With the  $@$  modifier, only one *arg* is directly consumed. The *arg* must be a string; it is processed as part of the control string as if it had appeared in place of the  $\sim @?$  construct, and any directives in the recursively processed control string may consume arguments of the control string containing the  $\sim @?$  directive. Example:

```
(format nil "~@? ~D" "<~A ~D>" "Foo" 5 7) ⇒ "<Foo 5> 7"
(format nil "~@? ~D" "<~A ~D>" "Foo" 5 14 7) ⇒ "<Foo 5> 14"
```

Here is a rather sophisticated example. The **format** function itself, as implemented at one time in Lisp Machine Lisp, used a routine internal to the **format** package called **format-error** to signal error messages; **format-error** in turn used **error**, which used **format** recursively. Now **format-error** took a string and arguments, just like **format**, but also printed the control string to **format** (which at this point was available in the global variable **\*ctl-string\***) and a little arrow showing where in the processing of the control string the error occurred. The variable **\*ctl-index\*** pointed one character after the place of the error.

```
(defun format-error (string &rest args) ;Example
  (error nil "~?~%~V@T↓~%~3@T\"~A\"~%"
    string args (+ *ctl-index* 3) *ctl-string*))
```

(The character set used in the Lisp Machine Lisp implementation contains a down-arrow character ↓, which is not a standard Common Lisp character.) This first processed the given string and arguments using ~?, then output a newline, tabbed a variable amount for printing the down-arrow, and printed the control string between double quotes (note the use of \" to include double quotes within the control string). The effect was something like this:

```
(format t "The item is a ~[Foo~;Bar~;Loser~]." 'quux)
»ERROR: The argument to the FORMAT "~[" command
  must be a number.
  ↓
  "The item is a ~[Foo~;Bar~;Loser~]."
```

---

**Implementation note:** Implementors may wish to report errors occurring within **format** control strings in the manner outlined here. It looks pretty flashy when done properly.

---

X3J13 voted in June 1989 to introduce certain **format** directives to support the user interface to the pretty printer described in detail in chapter 27.

- `~_` *Conditional newline.* Without any modifiers, the directive `~_` is equivalent to `(pprint-newline :linear)`. The directive `~@_` is equivalent to `(pprint-newline :miser)`. The directive `~:_` is equivalent to `(pprint-newline :fill)`. The directive `~:@_` is equivalent to `(pprint-newline :mandatory)`.
- `~W` *Write.* An *arg*, any Lisp object, is printed obeying *every* printer control variable (as by `write`). See section 27.4 for details.
- `~I` *Indent.* The directive `~nI` is equivalent to `(pprint-indent :block n)`. The directive `~:nI` is equivalent to `(pprint-indent :current n)`. In both cases, *n* defaults to zero, if it is omitted.

The format directives after this point are much more complicated than the foregoing; they constitute control structures that can perform case conversion, conditional selection, iteration, justification, and non-local exits. Used with restraint, they can perform powerful tasks. Used with abandon, they can produce completely unreadable and unmaintainable code.

The case-conversion, conditional, iteration, and justification constructs can contain other formatting constructs by bracketing them. These constructs must nest properly with respect to each other. For example, it is not legitimate to put the start of a case-conversion construct in each arm of a conditional and the end of the case-conversion construct outside the conditional:

```
(format nil "~:[abc~:@(def~;ghi~:@(jkl~]mno~)" x) ;Illegal!
```

One might expect this to produce either `"abcDEFMNO"` or `"ghiJKLMNO"`, depending on whether `x` is false or true; but in fact the construction is illegal because the `~[...~;...~]` and `~(...~)` constructs are not properly nested.

The processing indirection caused by the `~?` directive is also a kind of nesting for the purposes of this rule of proper nesting. It is not permitted to start a bracketing construct within a string processed under control of a `~?` directive and end the construct at some point after the `~?` construct in the string containing that construct, or vice versa. For example, this situation is illegal:

```
(format nil "~?ghi~)" "abc~@(def)" ;Illegal!
```

One might expect it to produce "abcDEFGHI", but in fact the construction is illegal because the `~?` and `~(...~)` constructs are not properly nested.

`~(str~)` *Case conversion.* The contained control string *str* is processed, and what it produces is subject to case conversion: `~(` converts every uppercase character to the corresponding lowercase character; `~:(` capitalizes all words, as if by **string-capitalize**; `~@(` capitalizes just the first word and forces the rest to lowercase; `~:@(` converts every lowercase character to the corresponding uppercase character. In this example, `~@(` is used to cause the first word produced by `~@R` to be capitalized:

```
(format nil "~@R ~(~@R~)" 14 14) ⇒ "XIV xiv"
(defun f (n) (format nil "~@(~R~) error~:P detected." n))
(f 0) ⇒ "Zero errors detected."
(f 1) ⇒ "One error detected."
(f 23) ⇒ "Twenty-three errors detected."
```

`~[str0~;str1~;...~;strn~]` *Conditional expression.* This is a set of control strings, called *clauses*, one of which is chosen and used. The clauses are separated by `~;` and the construct is terminated by `~]`. For example,

```
"~[Siamese~;Manx~;Persian~] Cat"
```

The *argth* clause is selected, where the first clause is number 0. If a prefix parameter is given (as `~n]`), then the parameter is used instead of an argument. (This is useful only if the parameter is specified by `#`, to dispatch on the number of arguments remaining to be processed.) If *arg* is out of range, then no clause is selected (and no error is signaled). After the selected alternative has been processed, the control string continues after the `~]`.

`~[str0~;str1~;...~;strn~;;default~]` has a default case. If the *last* `~;` used to separate clauses is `~::`; instead, then the last clause is an “else” clause that is performed if no other clause is selected. For example:

```
"~[Siamese~;Manx~;Persian~::Alley~] Cat"
```

`~:[false~;true~]` selects the *false* control string if *arg* is **nil**, and selects the *true* control string otherwise.

`~@[true~]` tests the argument. If it is not **nil**, then the argument is not used up by the `~@[` command but remains as the next one to be processed, and the one clause *true* is processed. If the *arg* is **nil**, then the argument is used up, and the clause is not processed. The clause therefore should normally use exactly one argument, and may expect it to be non-**nil**. For example:

```
(setq *print-level* nil *print-length* 5)
(format nil "~@[ print level = ~D~]~@[ print length = ~D~]"
        *print-level* *print-length*)
⇒ " print length = 5"
```

The combination of `~[` and `#` is useful, for example, for dealing with English conventions for printing lists:

```
(setq foo "Items:~#[ none~; ~S~; ~S and ~S~
          ~::~~@{~#[~; and~] ~S~^,~}~].")
(format nil foo)
⇒ "Items: none."
(format nil foo 'foo)
⇒ "Items: FOO."
(format nil foo 'foo 'bar)
⇒ "Items: FOO and BAR."
(format nil foo 'foo 'bar 'baz)
⇒ "Items: FOO, BAR, and BAZ."
(format nil foo 'foo 'bar 'baz 'quux)
⇒ "Items: FOO, BAR, BAZ, and QUUX."
```

`~;` This separates clauses in `~[` and `~<` constructions. It is an error elsewhere.

`~]` This terminates a `~[`. It is an error elsewhere.

`~{str~}` *Iteration*. This is an iteration construct. The argument should be a list, which is used as a set of arguments as if for a recursive call to **format**. The string *str* is used repeatedly as the control string.

Each iteration can absorb as many elements of the list as it likes as arguments; if *str* uses up two arguments by itself, then two elements of the list will get used up each time around the loop. If before any iteration step the list is empty, then the iteration is terminated. Also, if a prefix parameter *n* is given, then there will be at most *n* repetitions of processing of *str*. Finally, the  $\sim^{\wedge}$  directive can be used to terminate the iteration prematurely.

Here are some simple examples:

```
(format nil
  "The winners are:~{ ~S~}."
  '(fred harry jill))
⇒ "The winners are: FRED HARRY JILL."
```

```
(format nil "Pairs:~{ <~S,~S>~}." '(a 1 b 2 c 3))
⇒ "Pairs: <A,1> <B,2> <C,3>."
```

$\sim\{\mathit{str}\sim$  is similar, but the argument should be a list of sublists. At each repetition step, one sublist is used as the set of arguments for processing *str*; on the next repetition, a new sublist is used, whether or not all of the last sublist had been processed. Example:

```
(format nil "Pairs:~:{ <~S,~S>~}."
  '((a 1) (b 2) (c 3)))
⇒ "Pairs: <A,1> <B,2> <C,3>."
```

$\sim@\{\mathit{str}\sim$  is similar to  $\sim\{\mathit{str}\sim$ , but instead of using one argument that is a list, all the remaining arguments are used as the list of arguments for the iteration. Example:

```
(format nil "Pairs:~@{ <~S,~S>~}."
  'a 1 'b 2 'c 3)
⇒ "Pairs: <A,1> <B,2> <C,3>."
```

If the iteration is terminated before all the remaining arguments are consumed, then any arguments not processed by the iteration remain to be processed by any directives following the iteration construct.

`~:@{str~}` combines the features of `~:{str~}` and `~@{str~}`. All the remaining arguments are used, and each one must be a list. On each iteration, the next argument is used as a list of arguments to *str*. Example:

```
(format nil "Pairs:~:@{ <~S,~S>~}."
        '(a 1) '(b 2) '(c 3))
⇒ "Pairs: <A,1> <B,2> <C,3>."
```

Terminating the repetition construct with `~:}` instead of `~}` forces *str* to be processed at least once, even if the initial list of arguments is null (however, it will not override an explicit prefix parameter of zero).

If *str* is empty, then an argument is used as *str*. It must be a string and precede any arguments processed by the iteration. As an example, the following are equivalent:

```
(apply #'format stream string arguments)
(format stream "~1{~:}" string arguments)
```

This will use **string** as a formatting string. The `~1{` says it will be processed at most once, and the `~:}` says it will be processed at least once. Therefore it is processed exactly once, using **arguments** as the arguments. This case may be handled more clearly by the `~?` directive, but this general feature of `~{` is more powerful than `~?`.

`~}` This terminates a `~{`. It is an error elsewhere.

`~mincol,colinc,minpad,padchar<str~>` *Justification*. This justifies the text produced by processing *str* within a field at least *mincol* columns wide. *str* may be divided up into segments with `~;`, in which case the spacing is evenly divided between the text segments.

With no modifiers, the leftmost text segment is left-justified in the field, and the rightmost text segment right-justified; if there is only one text element, as a special case, it is right-justified. The `:` modifier causes spacing to be introduced before the first text segment; the `@` modifier causes spacing to be added after the last. The *minpad* parameter (default **0**) is the minimum number of padding characters to be output between each segment. The padding character is specified by *padchar*,



which defaults to the space character. If the total width needed to satisfy these constraints is greater than *mincol*, then the width used is  $mincol + k * colinc$  for the smallest possible non-negative integer value *k*; *colinc* defaults to **1**, and *mincol* defaults to **0**.

```
(format nil "~10<foo~;bar~>")      ⇒ "foo  bar"
(format nil "~10:<foo~;bar~>")     ⇒ " foo bar"
(format nil "~10:@<foo~;bar~>")    ⇒ "  foo bar "
(format nil "~10<foobar~>")       ⇒ "   foobar"
(format nil "~10:<foobar~>")      ⇒ "  foobar"
(format nil "~10@<foobar~>")     ⇒ "foobar  "
(format nil "~10:@<foobar~>")    ⇒ " foobar  "
```

Note that *str* may include **format** directives. All the clauses in *str* are processed in order; it is the resulting pieces of text that are justified.

The `~^` directive may be used to terminate processing of the clauses prematurely, in which case only the completely processed clauses are justified.

If the first clause of a `~<` is terminated with `~;`; instead of `~;`, then it is used in a special way. All of the clauses are processed (subject to `~^`, of course), but the first one is not used in performing the spacing and padding. When the padded result has been determined, then if it will fit on the current line of output, it is output, and the text for the first clause is discarded. If, however, the padded text will not fit on the current line, then the text segment for the first clause is output before the padded text. The first clause ought to contain a newline (such as a `~%` directive). The first clause is always processed, and so any arguments it refers to will be used; the decision is whether to use the resulting segment of text, not whether to process the first clause. If the `~;` has a prefix parameter *n*, then the padded text must fit on the current line with *n* character positions to spare to avoid outputting the first clause's text. For example, the control string

```
"~%;; ~{~<~%;; ~1;; ~S~>~^,~}.~%"
```

can be used to print a list of items separated by commas without breaking items over line boundaries, beginning each line with `;;` . The prefix

parameter **1** in `~1;` accounts for the width of the comma that will follow the justified item if it is not the last element in the list, or the period if it is. If `~;` has a second prefix parameter, then it is used as the width of the line, thus overriding the natural line width of the output stream. To make the preceding example use a line width of 50, one would write

```
"~%;; ~{~<~%;; ~1,50;; ~S~>~^,~}.~%"
```

If the second argument is not specified, then **format** uses the line width of the output stream. If this cannot be determined (for example, when producing a string result), then **format** uses **72** as the line length.

- `~>` Terminates a `~<`. It is an error elsewhere. X3J13 voted in June 1989 to introduce certain **format** directives to support the user interface to the pretty printer. If `~:>` is used to terminate a `~<...>` directive, the directive is equivalent to a call on **pprint-logical-block**. See section 27.4 for details.
- `~^` *Up and out*. This is an escape construct. If there are no more arguments remaining to be processed, then the immediately enclosing `~{` or `~<` construct is terminated. If there is no such enclosing construct, then the entire formatting operation is terminated. In the `~<` case, the formatting *is* performed, but no more segments are processed before doing the justification. The `~^` should appear only at the *beginning* of a `~<` clause, because it aborts the entire clause it appears in (as well as all following clauses). `~^` may appear anywhere in a `~{` construct.

```
(setq donestr "Done.~^ ~D warning~:P.~^ ~D error~:P.")
(format nil donestr) ⇒ "Done."
(format nil donestr 3) ⇒ "Done. 3 warnings."
(format nil donestr 1 5) ⇒ "Done. 1 warning. 5 errors."
```

If a prefix parameter is given, then termination occurs if the parameter is zero. (Hence `~^` is equivalent to `~#^`.) If two parameters are given, termination occurs if they are equal. If three parameters are given, termination occurs if the first is less than or equal to the second and the second is less than or equal to the third. Of course, this is

useless if all the prefix parameters are constants; at least one of them should be a `#` or a `V` parameter.

If `~^` is used within a `~:{` construct, then it merely terminates the current iteration step (because in the standard case it tests for remaining arguments of the current step only); the next iteration step commences immediately. To terminate the entire iteration process, use `~:^`.

X3J13 voted in March 1988 to clarify the behavior of `~:^` as follows. It may be used only if the command it would terminate is `~:{` or `~:@{`. The entire iteration process is terminated if and only if the sublist that is supplying the arguments for the current iteration step is the last sublist (in the case of terminating a `~:{` command) or the last argument to that call to `format` (in the case of terminating a `~:@{` command). Note furthermore that while `~^` is equivalent to `~#^` in all circumstances, `~:^` is *not* equivalent to `~:#^` because the latter terminates the entire iteration if and only if no arguments remain for *the current iteration step* (as opposed to no arguments remaining for the entire iteration process).

Here are some examples of the differences in the behaviors of `~^`, `~:^`, and `~:#^`.

```
(format nil
  "~:{/~S~^ ...~}"
  '((hot dog) (hamburger) (ice cream) (french fries)))
⇒ "/HOT .../HAMBURGER/ICE .../FRENCH ..."
```

For each sublist, “...” appears after the first word unless there are no additional words.

```
(format nil
  "~:{/~S~:^ ...~}"
  '((hot dog) (hamburger) (ice cream) (french fries)))
⇒ "/HOT .../HAMBURGER .../ICE .../FRENCH"
```

For each sublist, “...” always appears after the first word, unless it is the last sublist, in which case the entire iteration is terminated.

```
(format nil
  "~:{/~S~:#^ ...~}"
  '((hot dog) (hamburger) (ice cream) (french fries)))
⇒ "/HOT .../HAMBURGER"
```

For each sublist, “...” appears after the first word, but if the sublist has only one word then the entire iteration is terminated.

If  $\sim^{\wedge}$  appears within a control string being processed under the control of a  $\sim?$  directive, but not within any  $\sim\{$  or  $\sim<$  construct within that string, then the string being processed will be terminated, thereby ending processing of the  $\sim?$  directive. Processing then continues within the string containing the  $\sim?$  directive at the point following that directive.

If  $\sim^{\wedge}$  appears within a  $\sim[$  or  $\sim($  construct, then all the commands up to the  $\sim^{\wedge}$  are properly selected or case-converted, the  $\sim[$  or  $\sim($  processing is terminated, and the outward search continues for a  $\sim\{$  or  $\sim<$  construct to be terminated. For example:

```
(setq tellstr "~@(~@[~R~]~^ ~A.~)")
(format nil tellstr 23) ⇒ "Twenty-three."
(format nil tellstr nil "losers") ⇒ "Losers."
(format nil tellstr 23 "losers") ⇒ "Twenty-three losers."
```

Here are some examples of the use of  $\sim^{\wedge}$  within a  $\sim<$  construct.

```
(format nil "~15<~S~;~^~S~;~^~S~>" 'foo)
⇒ "      FOO"
(format nil "~15<~S~;~^~S~;~^~S~>" 'foo 'bar)
⇒ "FOO      BAR"
(format nil "~15<~S~;~^~S~;~^~S~>" 'foo 'bar 'baz)
⇒ "FOO  BAR  BAZ"
```

X3J13 voted in June 1989 to introduce user-defined directives in the form of the  $\sim/.../$  directive. See section 27.4 for details.

The hairiest **format** control string I have ever seen is shown in table 22.10. It started innocently enough as part of the simulator for Connection Machine Lisp [44, 57]; the *xapping* data type, defined by **defstruct**,

needed a **:print-function** option so that xappings would print properly. As this data type became more complicated, step by step, so did the **format** control string.

See the description of **set-macro-character** for a discussion of xappings and the **defstruct** definition. Assume that the predicate **xectorp** is true of a xapping if it is a xector, and that the predicate **finite-part-is-xetp** is true if every value in the range is the same as its corresponding index.

Here is a blow-by-blow description of the parts of this format string:

<code>~:{~; ~}</code>	Print “[” for a xector, and “{” otherwise.
<code>~:{~S~:[⇒~S~;~*~]~:^ ~}</code>	Given a list of lists, print the pairs. Each sublist has three elements: the index (or the value if we’re printing a xector); a flag that is true for either a xector or xet (in which case no arrow is printed); and the value. Note the use of <code>~:{</code> to iterate, and the use of <code>~:^</code> to avoid printing a separating space after the final pair (or at all, if there are no pairs).
<code>~:[~; ~]</code>	If there were pairs and there are exceptions or an infinite part, print a separating space.
<code>~&lt;newline&gt;</code>	Do nothing. This merely allows the format control string to be broken across two lines.
<code>~{~S⇒~^ ~}</code>	Given a list of exception indices, print them. Note the use of <code>~{</code> to iterate, and the use of <code>~^</code> to avoid printing a separating space after the final exception (or at all, if there are no exceptions).
<code>~:[~; ~]</code>	If there were exceptions and there is an infinite part, print a separating space.
<code>~[~*~;⇒~S~;⇒~*~]</code>	Use <code>~[</code> to choose one of three cases for printing the infinite part.
<code>~:[]~; ~]</code>	Print “[” for a xector, and “}” otherwise.

## 22.4 Querying the User

The following functions provide a convenient and consistent interface for asking questions of the user. Questions are printed and the answers are read using the stream `*query-io*`, which normally is synonymous with `*terminal-io*` but can be rebound to another stream for special applications.

*[Function]* `y-or-n-p` &optional *format-string* &rest *arguments*

This predicate is for asking the user a question whose answer is either “yes” or “no.” It types out a message (if supplied), reads an answer in some implementation-dependent manner (intended to be short and simple, like reading a single character such as **Y** or **N**), and is true if the answer was “yes” or false if the answer was “no.”

If the *format-string* argument is supplied and not `nil`, then a **fresh-line** operation is performed; then a message is printed as if the *format-string* and *arguments* were given to `format`. Otherwise it is assumed that any message has already been printed by other means. If you want a question mark at the end of the message, you must put it there yourself; `y-or-n-p` will not add it. However, the message should not contain an explanatory note such as **(Y or N)**, because the nature of the interface provided for `y-or-n-p` by a given implementation might not involve typing a character on a keyboard; `y-or-n-p` will provide such a note if appropriate.

All input and output are performed using the stream in the global variable `*query-io*`.

Here are some examples of the use of `y-or-n-p`:

```
(y-or-n-p "Produce listing file?")
```

```
(y-or-n-p "Cannot connect to network host ~S. Retry?" host)
```

`y-or-n-p` should only be used for questions that the user knows are coming or in situations where the user is known to be waiting for a response of some kind. If the user is unlikely to anticipate the question, or if the consequences of the answer might be grave and irreparable, then `y-or-n-p` should not be used because the user might type ahead and thereby accidentally answer the question. For such questions as “Shall I delete all of your files?” it is better to use `yes-or-no-p`.

[Function] **yes-or-no-p** &optional *format-string* &rest *arguments*

This predicate, like **y-or-n-p**, is for asking the user a question whose answer is either “yes” or “no.” It types out a message (if supplied), attracts the user’s attention (for example, by ringing the terminal’s bell), and reads a reply in some implementation-dependent manner. It is intended that the reply require the user to take more action than just a single keystroke, such as typing the full word **yes** or **no** followed by a newline.

If the *format-string* argument is supplied and not **nil**, then a **fresh-line** operation is performed; then a message is printed as if the *format-string* and *arguments* were given to **format**. Otherwise it is assumed that any message has already been printed by other means. If you want a question mark at the end of the message, you must put it there yourself; **yes-or-no-p** will not add it. However, the message should not contain an explanatory note such as **(Yes or No)** because the nature of the interface provided for **yes-or-no-p** by a given implementation might not involve typing the reply on a keyboard; **yes-or-no-p** will provide such a note if appropriate.

All input and output are performed using the stream in the global variable **\*query-io\***.

To allow the user to answer a yes-or-no question with a single character, use **y-or-n-p**. **yes-or-no-p** should be used for unanticipated or momentous questions; this is why it attracts attention and why it requires a multiple-action sequence to answer it.

Table 22.9: Standard Bindings for I/O Control Variables

Variable	Value
<code>*package*</code>	the <b>common-lisp-user</b> package
<code>*print-array*</code>	t
<code>*print-base*</code>	10
<code>*print-case*</code>	:upcase
<code>*print-circle*</code>	nil
<code>*print-escape*</code>	t
<code>*print-gensym*</code>	t
<code>*print-length*</code>	nil
<code>*print-level*</code>	nil
<code>*print-lines*</code>	nil *
<code>*print-miser-width*</code>	nil *
<code>*print-pprint-dispatch*</code>	nil *
<code>*print-pretty*</code>	nil
<code>*print-radix*</code>	nil
<code>*print-readably*</code>	t
<code>*print-right-margin*</code>	nil *
<code>*read-base*</code>	10
<code>*read-default-float-format*</code>	single-float
<code>*read-eval*</code>	t
<code>*read-suppress*</code>	nil
<code>*readtable*</code>	the standard readtable

\* X3J13 voted in June 1989 to introduce the printer control variables **\*print-right-margin\***, **\*print-miser-width\***, **\*print-lines\***, and **\*print-pprint-dispatch\*** (see section 27.2) but did not specify the values to which **with-standard-io-syntax** should bind them. I recommend that all four should be bound to **nil**.



Table 22.10: Print Function for the Xapping Data Type

```

(defun print-xapping (xapping stream depth)
  (declare (ignore depth))
  (format stream
    ;; Are you ready for this one?
    "~:[{~;[~]:{~S~:[=>~S~;~*~]~:^ ~}~:[~; ~]~
     ~{~S=>~^ ~}~:[~; ~][~*~;=>~S~;=>~*~]~:}~;]~"
    ;; Is that clear?
    (xectorp xapping)
    (do ((vp (xectorp xapping))
         (sp (finite-part-is-xetp xapping))
         (d (xapping-domain xapping) (cdr d))
         (r (xapping-range xapping) (cdr r))
         (z '()) (cons (list (if vp (car r) (car d))
                            (or vp sp)
                            (car r))
                        z)))
        ((null d) (reverse z)))
    (and (xapping-domain xapping)
         (or (xapping-exceptions xapping)
             (xapping-infinite xapping)))
    (xapping-exceptions xapping)
    (and (xapping-exceptions xapping)
         (xapping-infinite xapping))
    (ecase (xapping-infinite xapping)
      ((nil) 0)
      (:constant 1)
      (:universal 2))
    (xapping-default xapping)
    (xectorp xapping)))

```

See section 22.1.5 for the **defstruct** definition of the **xapping** data type, whose accessor functions are used in this code.



# Chapter 23

## File System Interface

A frequent use of streams is to communicate with a *file system* to which groups of data (files) can be written and from which files can be retrieved.

Потоки чаще всего используются для работы с *файловой системой*, в которую могут быть записаны данные (файлы) и из которой после эти файлы могут быть прочитаны.

Common Lisp defines a standard interface for dealing with such a file system. This interface is designed to be simple and general enough to accommodate the facilities provided by “typical” operating system environments within which Common Lisp is likely to be implemented. The goal is to make Common Lisp programs that perform only simple operations on files reasonably portable.

Common Lisp определяет стандартный интерфейс для работы с файловой системой. Данный интерфейс спроектирован простым и достаточно обобщённым для того, чтобы предоставлять функционал «типичной» операционной системы, в которой работает реализация Common Lisp’a. Целью является переносимость Common Lisp’овых программ в случае, если они используют простые операции над файлами.

To this end, Common Lisp assumes that files are named, that given a name one can construct a stream connected to a file of that name, and that the names can be fit into a certain canonical, implementation-independent form called a *pathname*.

И наконец, Common Lisp предполагает, что файлы имеют имена, которые используются при создании файлового потока. Эти имена абстрагируются в системонезависимую форму - *pathname*.

Facilities are provided for manipulating pathnames, for creating streams

connected to files, and for manipulating the file system through pathnames and streams.

Интерфейс предоставляет функционал для управления именами-файлов, для создания файловых потоков, и для управления файловой системой с помощью имён-файлов и потоков.

## 23.1 File Names

Common Lisp programs need to use names to designate files. The main difficulty in dealing with names of files is that different file systems have different naming formats for files. For example, here is a table of several file systems (actually, operating systems that provide file systems) and what equivalent file names might look like for each one:

System	File Name
TOPS-20	<LISPIO>FORMAT.FASL.13
TOPS-10	FORMAT.FAS[1,4]
ITS	LISPIO;FORMAT FASL
MULTICS	>udd>LispIO>format.fasl
TENEX	<LISPIO>FORMAT.FASL;13
VAX/VMS	[LISPIO]FORMAT.FAS;13
UNIX	/usr/lispio/format.fasl

It would be impossible for each program that deals with file names to know about each different file name format that exists; a new Common Lisp implementation might use a format different from any of its predecessors. Therefore, Common Lisp provides *two* ways to represent file names: *namestrings*, which are strings in the implementation-dependent form customary for the file system, and *pathnames*, which are special abstract data objects that represent file names in an implementation-independent way. Functions are provided to convert between these two representations, and all manipulations of files can be expressed in machine-independent terms by using pathnames.

In order to allow Common Lisp programs to operate in a network environment that may have more than one kind of file system, the pathname facility allows a file name to specify which file system is to be used. In this context, each file system is called a *host*, in keeping with the usual networking terminology.

Different hosts may use different notations for file names. Common Lisp allows customary notation to be used for each host, but also supports a system of logical pathnames that provides a standard framework for naming files in a portable manner (see section 23.1.5).

### 23.1.1 Pathnames

All file systems dealt with by Common Lisp are forced into a common framework, in which files are named by a Lisp data object of type **pathname**.

A pathname always has six components, described below. These components are the common interface that allows programs to work the same way with different file systems; the mapping of the pathname components into the concepts peculiar to each file system is taken care of by the Common Lisp implementation.

*host* The name of the file system on which the file resides.

*device* Corresponds to the “device” or “file structure” concept in many host file systems: the name of a (logical or physical) device containing files.

*directory* Corresponds to the “directory” concept in many host file systems: the name of a group of related files (typically those belonging to a single user or project).

*name* The name of a group of files that can be thought of as the “same” file.

*type* Corresponds to the “filetype” or “extension” concept in many host file systems; identifies the type of file. Files with the same names but different types are usually related in some specific way, for instance, one being a source file, another the compiled form of that source, and a third the listing of error messages from the compiler.

*version* Corresponds to the “version number” concept in many host file systems. Typically this is a number that is incremented every time the file is modified.

Note that a pathname is not necessarily the name of a specific file. Rather, it is a specification (possibly only a partial specification) of how to access a file. A pathname need not correspond to any file that actually exists, and more than one pathname can refer to the same file. For example, the

pathname with a version of “newest” may refer to the same file as a pathname with the same components except a certain number as the version. Indeed, a pathname with version “newest” may refer to different files as time passes, because the meaning of such a pathname depends on the state of the file system. In file systems with such facilities as “links,” multiple file names, logical devices, and so on, two pathnames that look quite different may turn out to address the same file. To access a file given a pathname, one must do a file system operation such as **open**.

Two important operations involving pathnames are *parsing* and *merging*. Parsing is the conversion of a namestring (which might be something supplied interactively by the user when asked to supply the name of a file) into a pathname object. This operation is implementation-dependent, because the format of namestrings is implementation-dependent. Merging takes a pathname with missing components and supplies values for those components from a source of defaults.

Not all of the components of a pathname need to be specified. If a component of a pathname is missing, its value is **nil**. Before the file system interface can do anything interesting with a file, such as opening the file, all the missing components of a pathname must be filled in (typically from a set of defaults). Pathnames with missing components may be used internally for various purposes; in particular, parsing a namestring that does not specify certain components will result in a pathname with missing components.

X3J13 voted in January 1989 to permit any component of a pathname to have the value **:unspecific**, meaning that the component simply does not exist, for file systems in which such a value makes sense. (For example, a UNIX file system usually does not support version numbers, so the version component of a pathname for a UNIX host might be **:unspecific**. Similarly, the file type is usually regarded in a UNIX file system as the part of a name after a period, but some file names contain no periods and therefore have no file types.)

When a pathname is converted to a namestring, the values **nil** and **:unspecific** have the same effect: they are treated as if the component were empty (that is, they each cause the component not to appear in the namestring). When merging, however, only a **nil** value for a component will be replaced with the default for that component; the value **:unspecific** will be left alone as if the field were filled.

The results are undefined if **:unspecific** is supplied to a file system in a component for which **:unspecific** does not make sense for that file system.

Programming hint: portable programs should be prepared to handle the value **:unspecific** in the device, directory, type, or version field in some implementations. Portable programs should not explicitly place **:unspecific** in any field because it might not be permitted in some situations, but portable programs may sometimes do so implicitly (by copying such a value from another pathname, for example).

What values are allowed for components of a pathname depends, in general, on the pathname's host. However, in order for pathnames to be usable in a system-independent way, certain global conventions are adhered to. These conventions are stronger for the type and version than for the other components, since the type and version are explicitly manipulated by many programs, while the other components are usually treated as something supplied by the user that just needs to be remembered and copied from place to place.

The type is always a string or **nil** or **:wild**. It is expected that most programs that deal with files will supply a default type for each file.

The version is either a positive integer or a special symbol. The meanings of **nil** and **:wild** have been explained above. The keyword **:newest** refers to the largest version number that already exists in the file system when reading a file, or to a version number greater than any already existing in the file system when writing a new file. Some Common Lisp implementors may choose to define other special version symbols. Some semi-standard names, suggested but not required to be supported by every Common Lisp implementation, are **:oldest**, to refer to the smallest version number that exists in the file system; **:previous**, to refer to the version previous to the newest version; and **:installed**, to refer to a version that is officially installed for users (as opposed to a working or development version). Some Common Lisp implementors may also choose to attach a meaning to non-positive version numbers (a typical convention is that **0** is synonymous with **:newest** and **-1** with **:previous**), but such interpretations are implementation-dependent.

The host may be a string, indicating a file system, or a list of strings, of which the first names the file system and the rest may be used for such a purpose as inter-network routing.

X3J13 voted in June 1989 to approve the following clarifications and specifications of precisely what are valid values for the various components of a pathname.

Pathname component value strings never contain the punctuation characters that are used to separate fields in a namestring (for example, slashes

and periods as used in UNIX file systems). Punctuation characters appear only in namestrings. Characters used as punctuation can appear in pathname component values with a non-punctuation meaning if the file system allows it (for example, UNIX file systems allow a file name to begin with a period).

When examining pathname components, conforming programs must be prepared to encounter any of the following situations:

- Any component can be **nil**, which means the component has not been specified.
- Any component can be **:unspecific**, which means the component has no meaning in this particular pathname.
- The device, directory, name, and type can be strings.
- The host can be any object, at the discretion of the implementation.
- The directory can be a list of strings and symbols as described in section 23.1.3.
- The version can be any symbol or any integer. The symbol **:newest** refers to the largest version number that already exists in the file system when reading, overwriting, appending, superseding, or directory-listing an existing file; it refers to the smallest version number greater than any existing version number when creating a new file. Other symbols and integers have implementation-defined meaning. It is suggested, but not required, that implementations use positive integers starting at 1 as version numbers, recognize the symbol **:oldest** to designate the smallest existing version number, and use keyword symbols for other special versions.

When examining wildcard components of a wildcard pathname, conforming programs must be prepared to encounter any of the following additional values in any component or any element of a list that is the directory component:

- The symbol **:wild**, which matches anything.
- A string containing implementation-dependent special wildcard characters.
- Any object, representing an implementation-dependent wildcard pattern.



When constructing a pathname from components, conforming programs must follow these rules:

- Any component may be **nil**. Specifying **nil** for the host may, in some implementations, result in using a default host rather than an actual **nil** value.
- The host, device, directory, name, and type may be strings. There are implementation-dependent limits on the number and type of characters in these strings. A plausible assumption is that letters (of a single case) and digits are acceptable to most file systems.
- The directory may be a list of strings and symbols as described in section 23.1.3. There are implementation-dependent limits on the length and contents of the list.
- The version may be **:newest**.
- Any component may be taken from the corresponding component of another pathname. When the two pathnames are for different file systems (in implementations that support multiple file systems), an appropriate translation occurs. If no meaningful translation is possible, an error is signaled. The definitions of “appropriate” and “meaningful” are implementation-dependent.
- When constructing a wildcard pathname, the name, type, or version may be **:wild**, which matches anything.
- An implementation might support other values for some components, but a portable program should not use those values. A conforming program can use implementation-dependent values but this can make it non-portable; for example, it might work only with UNIX file systems.

The best way to compare two pathnames for equality is with **equal**, not **eq**. (On pathnames, **eq** is simply the same as **eq**.) Two pathname objects are **equal** if and only if all the corresponding components (host, device, and so on) are equivalent. (Whether or not uppercase and lowercase letters are considered equivalent in strings appearing in components depends on the file name conventions of the file system.) Pathnames that are **equal** should be functionally equivalent.

### 23.1.2 Case Conventions

Issues of alphabetic case in pathnames are a major source of problems. In some file systems, the customary case is lowercase, in some uppercase, in some mixed. Some file systems are case-sensitive (that is, they treat **FOO** and **foo** as different file names) and others are not.

There are two kinds of pathname case portability problems: moving programs from one Common Lisp to another, and moving pathname component values from one file system to another. The solution to the first problem is the requirement that all Common Lisp implementations that support a particular file system must use compatible representations for pathname component values. The solution to the second problem is the use of a common representation for the least-common-denominator pathname component values that exist on all interesting file systems.

Requiring a common representation directly conflicts with the desire among programmers that use only one file system to work with the local conventions and to ignore issues of porting to other file systems. The common representation cannot be the same as local (varying) conventions.

X3J13 voted in June 1989 to add a keyword argument **:case** to each of the functions **make-pathname**, **pathname-host**, **pathname-device**, **pathname-directory**, **pathname-name**, and **pathname-type**. The possible values for the argument are **:common** and **:local**. The default is **:local**.

The value **:local** means that strings given to **make-pathname** or returned by any of the pathname component accessors follow the local file system's conventions for alphabetic case. Strings given to **make-pathname** will be used exactly as written if the file system supports both cases. If the file system supports only one case, the strings will be translated to that case.

The value **:common** means that strings given to **make-pathname** or returned by any of the pathname component accessors follow this common convention:

- All uppercase means that a file system's customary case will be used.
- All lowercase means that the opposite of the customary case will be used.
- Mixed case represents itself.

Uppercase is used as the common case for no better reason than consistency with Lisp symbols. The second and third points allow translation from local

representation to common and back to be information-preserving. (Note that translation from common to local representation and back may or may not be information-preserving, depending on the nature of the local representation.)

Namestrings always use **:local** file system case conventions.

Finally, **merge-pathnames** and **translate-pathname** map customary case in the input pathnames into customary case in the output pathname.

Examples of possible use of this convention:

- TOPS-20 is case-sensitive and prefers uppercase, translating lowercase to uppercase unless escaped with `^V`; for a TOPS-20-based file system, a Common Lisp implementation should use identical representations for common and local.
- UNIX is case-sensitive and prefers lowercase; for a UNIX-based file system, a Common Lisp implementation should translate between common and local representations by inverting the case of non-mixed-case strings.
- VAX/VMS is uppercase-only (that is, the file system translates all file name arguments to uppercase); for a VAX/VMS-based file system, a Common Lisp implementation should translate common representation to local by converting to uppercase and should translate local representation to common with no change.
- The Macintosh operating system is case-insensitive and prefers lowercase, but remembers the cases of letters actually used to name a file; for a Macintosh-based file system, a Common Lisp implementation should translate between common and local representations by inverting the case of non-mixed-case strings and should ignore case when determining whether two pathnames are **equal**.

Here are some examples of this behavior. Assume that the host **T** runs TOPS-20, **U** runs UNIX, **V** runs VAX/VMS, and **M** runs the Macintosh operating system.

```
;;; Returns two values: the PATHNAME-NAME from a namestring
;;; in :COMMON and :LOCAL representations (in that order).
(defun pathname-example (name)
  (let ((path (parse-namestring name))))
    (values (pathname-name path :case :common)
            (pathname-name path :case :local))))

;Common      Local
(pathname-example "T:<ME>FOO.LISP")      => "FOO" and "FOO"
(pathname-example "T:<ME>foo.LISP")      => "FOO" and "FOO"
(pathname-example "T:<ME>^Vf^Vo^Vo.LISP") => "foo" and "foo"
(pathname-example "T:<ME>TeX.LISP")      => "TeX" and "TeX"
(pathname-example "T:<ME>T^VeX.LISP")    => "TeX" and "TeX"
(pathname-example "U:/me/FOO.lisp")      => "foo" and "FOO"
(pathname-example "U:/me/foo.lisp")     => "FOO" and "foo"
(pathname-example "U:/me/TeX.lisp")     => "TeX" and "TeX"
(pathname-example "V:[me]FOO.LISP")     => "FOO" and "FOO"
(pathname-example "V:[me]foo.LISP")     => "FOO" and "FOO"
(pathname-example "V:[me]TeX.LISP")     => "TeX" and "TeX"
(pathname-example "M:FOO.LISP")         => "foo" and "FOO"
(pathname-example "M:foo.LISP")         => "FOO" and "foo"
(pathname-example "M:TeX.LISP")         => "TeX" and "TeX"
```

The following example illustrates the creation of new pathnames. The name is converted from common representation to local because namestrings always use local conventions.

```
(defun make-pathname-example (h n)
  (namestring (make-pathname :host h :name n :case :common)))

(make-pathname-example "T" "FOO") => "T:FOO"
(make-pathname-example "T" "foo") => "T:^Vf^Vo^Vo"
(make-pathname-example "T" "TeX") => "T:T^VeX"
(make-pathname-example "U" "FOO") => "U:foo"
(make-pathname-example "U" "foo") => "U:FOO"
```

```
(make-pathname-example "U" "TeX") ⇒ "U:TeX"
(make-pathname-example "V" "FOO") ⇒ "V:FOO"
(make-pathname-example "V" "foo") ⇒ "V:FOO"
(make-pathname-example "V" "TeX") ⇒ "V:TeX"
(make-pathname-example "M" "FOO") ⇒ "M:foo"
(make-pathname-example "M" "foo") ⇒ "M:FOO"
(make-pathname-example "M" "TeX") ⇒ "M:TeX"
```

A big advantage of this set of conventions is that one can, for example, call **make-pathname** with **:type "LISP"** and **:case :common**, and the result will appear in a namestring as **.LISP** or **.lisp**, whichever is appropriate.

### 23.1.3 Structured Directories

X3J13 voted in June 1989 to define a specific pathname component format for structured directories.

The value of a pathname's directory component may be a list. The *car* of the list should be a keyword, either **:absolute** or **:relative**. Each remaining element of the list should be a string or a symbol (see below). Each string names a single level of directory structure and should consist of only the directory name without any punctuation characters.

A list whose *car* is the symbol **:absolute** represents a directory path starting from the root directory. For example, the list (**:absolute**) represents the root directory itself; the list (**:absolute "foo" "bar" "baz"**) represents the directory that in a UNIX file system would be called **/foo/bar/baz**.

A list whose *car* is the symbol **:relative** represents a directory path starting from a default directory. The list (**:relative**) has the same meaning as **nil** and hence normally is not used. The list (**:relative "foo" "bar"**) represents the directory named **bar** in the directory named **foo** in the default directory.

In place of a string, at any point in the list, a symbol may occur to indicate a special file notation. The following symbols have standard meanings.

- :wild** Wildcard match of one level of directory structure
- :wild-inferiors** Wildcard match of any number of directory levels
- :up** Go upward in directory structure (semantic)
- :back** Go upward in directory structure (syntactic)

(See section 23.1.4 for a discussion of wildcard pathnames.)

Implementations are permitted to add additional objects of any non-string type if necessary to represent features of their file systems that cannot be represented with the standard strings and symbols. Supplying any non-string, including any of the symbols listed below, to a file system for which it does not make sense signals an error of type **file-error**. For example, most implementations of the UNIX file system do not support **:wild-inferiors**. Any directory list in which **:absolute** or **:wild-inferiors** is immediately followed by **:up** or **:back** is illegal and when processed causes an error to be signaled.

The keyword **:back** has a “syntactic” meaning that depends only on the pathname and not on the contents of the file system. The keyword **:up** has a “semantic” meaning that depends on the contents of the file system; to resolve a pathname containing **:up** to a pathname whose directory component contains only **:absolute** and strings requires a search of the file system. Note that use of **:up** instead of **:back** can result in designating a different actual directory only in file systems that support multiple names for directories, perhaps via symbolic links. For example, suppose that there is a directory link such that

(:absolute "X" "Y") is linked to (:absolute "A" "B")

and there also exist directories

(:absolute "A" "Q") and (:absolute "X" "Q")

Then

(:absolute "X" "Y" :up "Q") designates (:absolute "A" "Q")

but

(:absolute "X" "Y" :back "Q") designates (:absolute "X" "Q")

If a string is used as the value of the **:directory** argument to **make-pathname**, it should be the name of a top-level directory and should not contain any punctuation characters. Specifying a string *s* is equivalent to specifying the list (**:absolute s**). Specifying the symbol **:wild** is equivalent to specifying the list (**:absolute :wild-inferiors**) (or (**:absolute :wild**) in a file system that does not support **:wild-inferiors**).

The function **pathname-directory** always returns **nil**, **:unspecific**, or a list—never a string, never **:wild**. If a list is returned, it is not guaranteed to be freshly consed; the consequences of modifying this list are undefined.

In non-hierarchical file systems, the only valid list values for the directory component of a pathname are (**:absolute** *s*) (where *s* is a string) and (**:absolute** **:wild**). The keywords **:relative**, **:wild-inferiors**, **:up**, and **:back** are not used in non-hierarchical file systems.

Pathname merging treats a relative directory specially. Let *pathname* and *defaults* be the first two arguments to **merge-pathnames**. If (**pathname-directory** *pathname*) is a list whose *car* is **:relative**, and (**pathname-directory** *defaults*) is a list, then the merged directory is the value of

```
(append (pathname-directory defaults)
        (cdr ;Remove :relative from the front
            (pathname-directory pathname)))
```

except that if the resulting list contains a string or **:wild** immediately followed by **:back**, both of them are removed. This removal of redundant occurrences of **:back** is repeated as many times as possible. If (**pathname-directory** *defaults*) is not a list or (**pathname-directory** *pathname*) is not a list whose *car* is **:relative**, the merged directory is the value of

```
(or (pathname-directory pathname)
    (pathname-directory defaults))
```

A relative directory in the pathname argument to a function such as **open** is merged with the value of **\*default-pathname-defaults\*** before the file system is accessed.

Here are some examples of the use of structured directories. Suppose that host **L** supports a Symbolics Lisp Machine file system, host **U** supports a UNIX file system, and host **V** supports a VAX/VMS file system.

```
(pathname-directory (parse-namestring "V:[FOO.BAR]BAZ.LSP"))
⇒ (:ABSOLUTE "FOO" "BAR")
```

```
(pathname-directory (parse-namestring "U:/foo/bar/baz.lisp"))
⇒ (:ABSOLUTE "foo" "bar")
```

```
(pathname-directory (parse-namestring "U:../baz.lisp"))
⇒ (:RELATIVE :UP)
```

```
(pathname-directory (parse-namestring "U:/foo/bar/../../mum/baz"))
⇒ (:ABSOLUTE "foo" "bar" :UP "mum")
```

```
(pathname-directory (parse-namestring "U:bar/../../ztesch/zip"))
⇒ (:RELATIVE "bar" :UP :UP "ztesch")
```

```
(pathname-directory (parse-namestring "L:>foo>*>bar>baz.lisp"))
⇒ (:ABSOLUTE "FOO" :WILD-INFERIORS "BAR")
```

```
(pathname-directory (parse-namestring "L:>foo>*>bar>baz.lisp"))
⇒ (:ABSOLUTE "FOO" :WILD "BAR")
```

### 23.1.4 Extended Wildcards

Some file systems provide more complex conventions for wildcards than simple component-wise wildcards representable by **:wild**. For example, the namestring **"F\*O"** might mean a normal three-character name; a three-character name with the middle character wild; a name with at least two characters, beginning with **F** and ending with **O**; or perhaps a wild match spanning multiple directories. Similarly, the namestring **">foo>\*>bar>"** might imply that the middle directory is named **"\*\*"**; the middle directory is **:wild**; there are zero or more middle directories that are **:wild**; or perhaps that the middle directory name matches any two-letter name. Some file systems support even more complex wildcards, such as regular expressions.

X3J13 voted in June 1989 to provide some facilities for dealing with more general wildcard pathnames in a fairly portable manner.

*[Function]* **wild-pathname-p** *pathname* &optional *field-key*

Tests a pathname for the presence of wildcard components. If the first argument is not a pathname, string, or file stream, an error of type **type-error** is signaled.

If no *field-key* is provided, or the *field-key* is **nil**, the result is true if and only if *pathname* has any wildcard components.

If a non-null *field-key* is provided, it must be one of **:host**, **:device**, **:directory**, **:name**, **:type**, or **:version**. In this case, the result is true if and only if the indicated component of *pathname* is a wildcard.

Note that X3J13 voted in June 1989 to specify that an implementation need not support wildcards in all fields; the only requirement is that the



name, type, or version may be **:wild**. However, portable programs should be prepared to encounter either **:wild** or implementation-dependent wildcards in any pathname component. The function **wild-pathname-p** provides a portable way for testing the presence of wildcards.

[Function] **pathname-match-p** *pathname wildname*

This predicate is true if and only if the *pathname* matches the *wildname*. The matching rules are implementation-defined but should be consistent with the behavior of the **directory** function. Missing components of *wildname* default to **:wild**.

If either argument is not a pathname, string, or file stream, an error of type **type-error** is signaled. It is valid for *pathname* to be a wild pathname; a wildcard field in *pathname* will match only a wildcard field in *wildname*; that is, **pathname-match-p** is not commutative. It is valid for *wildname* to be a non-wild pathname; I believe that in this case **pathname-match-p** will have the same behavior as **equal**, though the X3J13 specification did not say so.

[Function] **translate-pathname** *source from-wildname to-wildname &key*

Translates the pathname *source*, which must match *from-wildname*, into a corresponding pathname (call it *result*), which is constructed so as to match *to-wildname*, and returns *result*.

The pathname *result* is a copy of *to-wildname* with each missing or wildcard field replaced by a portion of *source*; for this purpose a wildcard field is a pathname component with a value of **:wild**, a **:wild** element of a list-valued directory component, or an implementation-defined portion of a component, such as the **\*** in the complex wildcard string **"foo\*bar"** that some implementations support. An implementation that adds other wildcard features, such as regular expressions, must define how **translate-pathname** extends to those features. A missing field is a pathname component that is **nil**.

The portion of *source* that is copied into *result* is implementation-defined. Typically it is determined by the user interface conventions of the file systems involved. Usually it is the portion of *source* that matches a wildcard field of *from-wildname* that is in the same position as the missing or wildcard field of *to-wildname*. If there is no wildcard field in *from-wildname* at that position, then usually it is the entire corresponding pathname component of *source* or,

in the case of a list-valued directory component, the entire corresponding list element. For example, if the name components of *source*, *from-wildname*, and *to-wildname* are "gazonk", "gaz\*", and "h\*" respectively, then in most file systems the wildcard fields of the name component of *from-wildname* and *to-wildname* are each "\*", the matching portion of *source* is "onk", and the name component of *result* is "honk"; however, the exact behavior of **translate-pathname** is not dictated by the Common Lisp language and may vary according to the user interface conventions of the file systems involved.

During the copying of a portion of *source* into *result*, additional implementation-defined translations of alphabetic case or file naming conventions may occur, especially when *from-wildname* and *to-wildname* are for different hosts.

If any of the first three arguments is not a pathname, string, or file stream, an error of type **type-error** is signaled. It is valid for *source* to be a wild pathname; in general this will produce a wild *result* pathname. It is valid for *from-wildname* or *to-wildname* or both to be non-wild. An error is signaled if the *source* pathname does not match the *from-wildname*, that is, if (**pathname-match-p** *source* *from-wildname*) would not be true.

There are no specified keyword arguments for **translate-pathname**, but implementations are permitted to extend it by adding keyword arguments. There is one specified return value from **translate-pathname**; implementations are permitted to extend it by returning additional values.

Here is an implementation suggestion. One file system performs this operation by examining corresponding pieces of the three pathnames in turn, where a piece is a pathname component or a list element of a structured component such as a hierarchical directory. Hierarchical directory elements in *from-wildname* and *to-wildname* are matched by whether they are wildcards, not by depth in the directory hierarchy. If the piece in *to-wildname* is present and not wild, it is copied into the result. If the piece in *to-wildname* is **:wild** or **nil**, the corresponding piece in *source* is copied into the result. Otherwise, the piece in *to-wildname* might be a complex wildcard such as "foo\*bar"; the portion of the piece in *source* that matches the wildcard portion of the corresponding piece in *from-wildname* (or the entire *source* piece, if the *from-wildname* piece is not wild and therefore equals the *source* piece) replaces the wildcard portion of the piece in *to-wildname* and the value produced is used in the result.

X3J13 voted in June 1989 to require **translate-pathname** to map customary case in argument pathnames to the customary case in returned path-

names (see section 23.1.2).

Here are some examples of the use of the new wildcard pathname facilities. These examples are not portable. They are written to run with particular file systems and particular wildcard conventions and are intended to be illustrative, not prescriptive. Other implementations may behave differently.

```
(wild-pathname-p (make-pathname :name :wild)) => t
(wild-pathname-p (make-pathname :name :wild) :name) => t
(wild-pathname-p (make-pathname :name :wild) :type) => nil
(wild-pathname-p (pathname "S:>foo>**>")) => t ;Maybe
(wild-pathname-p (make-pathname :name "F*O")) => t ;Probably
```

One cannot rely on **rename-file** to handle wild pathnames in a predictable manner. However, one can use **translate-pathname** explicitly to control the process.

```
(defun rename-files (from to)
  "Rename all files that match the first argument by
  translating their names to the form of the second
  argument. Both arguments may be wild pathnames."
  (dolist (file (directory from))
    ;; DIRECTORY produces only pathnames that match from-wildname.
    (rename-file file (translate-pathname file from to))))
```

Assuming one particular set of popular wildcard conventions, this function might exhibit the following behavior. Not all file systems will run this example exactly as written.

```
(rename-files "/usr/me/*.lisp" "/dev/her/*.l")
renames /usr/me/init.lisp
to /dev/her/init.l
```

```
(rename-files "/usr/me/pcl*/*" "/sys/pcl/*/")
renames /usr/me/pcl-5-may/low.lisp
to /sys/pcl/pcl-5-may/low.lisp
(in some file systems the result might be /sys/pcl/5-may/low.lisp)
```

```
(rename-files "/usr/me/pcl*/*" "/sys/library/*/")
renames /usr/me/pcl-5-may/low.lisp
to /sys/library/pcl-5-may/low.lisp
(in some file systems the result might be /sys/library/5-may/low.lisp)
```

```
(rename-files "/usr/me/foo.bar" "/usr/me2/")
  renames /usr/me/foo.bar
to /usr/me2/foo.bar
```

```
(rename-files "/usr/joe/*-recipes.text"
  "/usr/jim/personal/cookbook/joe's-*rec.text")
  renames /usr/joe/lamb-recipes.text
to /usr/jim/personal/cookbook/joe's-lamb-rec.text
  renames /usr/joe/veg-recipes.text
to /usr/jim/personal/cookbook/joe's-veg-rec.text
  renames /usr/joe/cajun-recipes.text
to /usr/jim/personal/cookbook/joe's-cajun-rec.text
  renames /usr/joe/szechuan-recipes.text
to /usr/jim/personal/cookbook/joe's-szechuan-rec.text
```

The following examples use UNIX syntax and the wildcard conventions of one particular version of UNIX.

```
(namestring
  (translate-pathname "/usr/dmr/hacks/frob.l"
    "/usr/d*/hacks/*.l"
    "/usr/d*/backup/hacks/backup-*.*)"
  => "/usr/dmr/backup/hacks/backup-frob.l")
```

```
(namestring
  (translate-pathname "/usr/dmr/hacks/frob.l"
    "/usr/d*/hacks/fr*.l"
    "/usr/d*/backup/hacks/backup-*.*)"
  => "/usr/dmr/backup/hacks/backup-ob.l")
```

The following examples are similar to the preceding examples but use two different hosts; host **U** supports a UNIX file system and host **V** supports a VAX/VMS file system. Note the translation of file type (from **l** to **LSP**) and the change of alphabetic case conventions.

```
(namestring
  (translate-pathname "U:/usr/dmr/hacks/frob.l"
    "U:/usr/d*/hacks/*.l"
    "V:SYS$DISK:[D*.BACKUP.HACKS]BACKUP-*.*)"
  => "V:SYS$DISK:[DMR.BACKUP.HACKS]BACKUP-FROB.LSP")
```

```
(namestring
 (translate-pathname "U:/usr/dmr/hacks/frob.l"
  "U:/usr/d*/hacks/fr*.l"
  "V:SYS$DISK:[D*.BACKUP.HACKS]BACKUP-*.*)")
 ⇒ "V:SYS$DISK:[DMR.BACKUP.HACKS]BACKUP-OB.LSP"
```

The next example is a version of the function **translate-logical-pathname** (simplified a bit) for a logical host named **FOO**. The points of interest are the use of **pathname-match-p** as a **:test** argument for **assoc** and the use of **translate-pathname** as a substrate for **translate-logical-pathname**.

```
(define-condition logical-translation-error (file-error))

(defun my-translate-logical-pathname (pathname &key rules)
  (let ((rule (assoc pathname rules :test #'pathname-match-p)))
    (unless rule
      (error 'logical-translation-error :pathname pathname))
    (translate-pathname pathname (first rule) (second rule))))

(my-translate-logical-pathname
 "FOO:CODE;BASIC.LISP"
 :rules '(("FOO:DOCUMENTATION;" "U:/doc/foo/")
          ("FOO:CODE;"          "U:/lib/foo/")
          ("FOO:PATCHES;*"    "U:/lib/foo/patch/*/")))
 ⇒ #P"U:/lib/foo/basic.l"
```

### 23.1.5 Logical Pathnames

Pathname values are not portable, but sometimes they must be mentioned in a program (for example, the names of files containing the program and the data used by the program).

X3J13 voted in June 1989 to provide some facilities for portable pathname values. The idea is to provide a portable framework for pathname values; these logical pathnames are then mapped to physical (that is, actual) pathnames by a set of implementation-dependent or site-dependent rules. The logical pathname facility therefore separates the concerns of program writing and user software architecture from the details of how a software system is embedded in a particular file system or operating environment.

Pathname values are not portable because not all Common Lisp implementations use the same operating system and file name syntax varies widely among operating systems. In addition, corresponding files at two different sites may have different names even when the operating system is the same; for example, they may be on different directories or different devices. The Common Lisp logical pathname system defines a particular pathname structure and namestring syntax that must be supported by all implementations.

*[Class]* **logical-pathname**

This is a subclass of **pathname**.

#### Syntax of Logical Pathname Namestrings

The syntax of a logical pathname namestring is as follows:

*logical-namestring* ::= [*host* :] [;] {*directory* ;}\* [*name*] [. *type* [. *version*]]

Note that a logical namestring has no *device* portion.

*host* ::= *word*

*directory* ::= *word* | *wildcard-word* | *wildcard-inferiors*

*name* ::= *word* | *wildcard-word*

*type* ::= *word* | *wildcard-word*

*version* ::= *word* | *wildcard-word*

*word* ::= {*letter* / *digit* / -}+

*wildcard-word* ::= [*word*] \* {*word* \*} \* [*word*]

*wildcard-inferiors* ::= \*\*

A *word* consists of one or more uppercase letters, digits, and hyphens.

A *wildcard word* consists of one or more asterisks, uppercase letters, digits, and hyphens, including at least one asterisk, with no two asterisks adjacent. Each asterisk matches a sequence of zero or more characters. The wildcard word `*` parses as **:wild**; all others parse as strings.

Lowercase letters may also appear in a word or wildcard word occurring in a namestring. Such letters are converted to uppercase when the namestring is converted to a pathname. The consequences of using other characters are unspecified.

The *host* is a word that has been defined as a logical pathname host by using **setf** with the function **logical-pathname-translations**.

There is no device, so the device component of a logical pathname is always **:unspecific**. No other component of a logical pathname can be **:unspecific**.

Each *directory* is a word, a wildcard word, or **\*\*** (which is parsed as **:wild-inferiors**). If a semicolon precedes the directories, the directory component is relative; otherwise it is absolute.

The *name* is a word or a wildcard word.

The *type* is a word or a wildcard word.

The *version* is a positive decimal integer or the word **NEWEST** (which is parsed as **:newest**) or **\*** (which is parsed as **:wild**). The letters in **NEWEST** can be in either alphabetic case.

The consequences of using any value not specified here as a logical pathname component are unspecified. The null string `"` is not a valid value for any component of a logical pathname, since the null string is not a word or a wildcard word.

### Parsing of Logical Pathname Namestrings

Logical pathname namestrings are recognized by the functions **logical-pathname** and **translate-logical-pathname**. The host portion of the logical pathname namestring and its following colon must appear in the namestring arguments to these functions.

The function **parse-namestring** recognizes a logical pathname namestring when the *host* argument is logical or the *defaults* argument is a logical pathname. In this case the host portion of the logical pathname namestring and its following colon are optional. If the host portion of the namestring and the *host* argument are both present and do not match, an

error is signaled. The host argument is logical if it is supplied and came from **pathname-host** of a logical pathname. Whether a host argument is logical if it is a string **equal** to a logical pathname host name is implementation-defined.

The function **merge-pathnames** recognizes a logical pathname namestring when the *defaults* argument is a logical pathname. In this case the host portion of the logical pathname namestring and its following colon are optional.

Whether the other functions that coerce strings to pathnames recognize logical pathname namestrings is implementation-defined. These functions include **parse-namestring** in circumstances other than those described above, **merge-pathnames** in circumstances other than those described above, the **:defaults** argument to **make-pathname**, and the following functions:

<b>compile-file</b>	<b>file-write-date</b>	<b>pathname-name</b>
<b>compile-file-pathname</b>	<b>host-namestring</b>	<b>pathname-type</b>
<b>delete-file</b>	<b>load</b>	<b>pathname-version</b>
<b>directory</b>	<b>namestring</b>	<b>probe-file</b>
<b>directory-namestring</b>	<b>open</b>	<b>rename-file</b>
<b>dribble</b>	<b>pathname</b>	<b>translate-pathname</b>
<b>ed</b>	<b>pathname-device</b>	<b>truename</b>
<b>enough-namestring</b>	<b>pathname-directory</b>	<b>wild-pathname-p</b>
<b>file-author</b>	<b>pathname-host</b>	<b>with-open-file</b>
<b>file-namestring</b>	<b>pathname-match-p</b>	

Note that many of these functions must accept logical pathnames even though they do not accept logical pathname namestrings.

### Using Logical Pathnames

Some real file systems do not have versions. Logical pathname translation to such a file system ignores the version. This implies that a portable program cannot rely on being able to store in a file system more than one version of a file named by a logical pathname.

The type of a logical pathname for a Common Lisp source file is **LISP**. This should be translated into whatever implementation-defined type is appropriate in a physical pathname.

The logical pathname host name **SYS** is reserved for the implementation. The existence and meaning of logical pathnames for logical host **SYS** is



implementation-defined.

File manipulation functions must operate with logical pathnames according to the following requirements:

- The following accept logical pathnames and translate them into physical pathnames as if by calling the function **translate-logical-pathname**:

<b>compile-file</b>	<b>ed</b>	<b>probe-file</b>
<b>compile-file-pathname</b>	<b>file-author</b>	<b>rename-file</b>
<b>delete-file</b>	<b>file-write-date</b>	<b>truename</b>
<b>directory</b>	<b>load</b>	<b>with-open-file</b>
<b>dribble</b>	<b>open</b>	

- Applying the function **pathname** to a stream created by the function **open** or the macro **with-open-file** using a logical pathname produces a logical pathname.
- The functions **truename**, **probe-file**, and **directory** never return logical pathnames.
- Calling **rename-file** with a logical pathname as the second argument returns a logical pathname as the first value.
- **make-pathname** returns a logical pathname if and only if the host is logical. If the **:host** argument to **make-pathname** is supplied, the host is logical if it came from the **pathname-host** of a logical pathname. Whether a **:host** argument is logical if it is a string equal to a logical pathname host name is implementation-defined.

*[Function]* **logical-pathname** *pathname*

Converts the argument to a logical pathname and returns it. The argument can be a logical pathname, a logical pathname namestring containing a host component, or a stream for which the **pathname** function returns a logical pathname. For any other argument, **logical-pathname** signals an error of type **type-error**.

*[Function]* **translate-logical-pathname** *pathname* &key

Translates a logical pathname to the corresponding physical pathname. The *pathname* argument is first coerced to a pathname. If it is not a pathname, string, or file stream, an error of type **type-error** is signaled.

If the coerced argument is a physical pathname, it is returned.

If the coerced argument is a logical pathname, the first matching translation (according to **pathname-match-p**) of the logical pathname host is applied, as if by calling **translate-pathname**. If the result is a logical pathname, this process is repeated. When the result is finally a physical pathname, it is returned.

If no translation matches a logical pathname, an error of type **file-error** is signaled.

**translate-logical-pathname** may perform additional translations, typically to provide translation of file types to local naming conventions, to accommodate physical file systems with names of limited length, or to deal with special character requirements such as translating hyphens to underscores or uppercase letters to lowercase. Any such additional translations are implementation-defined. Some implementations do no additional translations.

There are no specified keyword arguments for **translate-logical-pathname** but implementations are permitted to extend it by adding keyword arguments. There is one specified return value from **translate-logical-pathname**; implementations are permitted to extend it by returning additional values.

*[Function]* **logical-pathname-translations** *host*

If the specified *host* is not the host component of a logical pathname and is not a string that has been defined as a logical pathname host name by **setf** of **logical-pathname-translations**, this function signals an error of type **type-error**; otherwise, it returns the list of translations for the specified *host*. Each translation is a list of at least two elements, from-wildname and to-wildname. Any additional elements are implementation-defined. A from-wildname is a logical pathname whose host is the specified *host*. A to-wildname is any pathname. Translations are searched in the order listed, so more specific from-wildnames must precede more general ones.

(**setf** (**logical-pathname-translations** *host*) *translations*) sets the list of translations for the logical pathname *host* to *translations*. If *host* is

a string that has not previously been used as logical pathname host, a new logical pathname host is defined; otherwise an existing host's translations are replaced. Logical pathname host names are compared with **string-equal**.

When setting the translations list, each from-wildname can be a logical pathname whose host is *host* or a logical pathname namestring *s* parseable by (**parse-namestring** *s* *host-object*), where *host-object* is an appropriate object for representing the specified *host* to **parse-namestring**. (This circuitous specification dodges the fact that **parse-namestring** does not necessarily accept as its second argument any old string that names a logical host.) Each to-wildname can be anything coercible to a pathname by application of the function **pathname**. If to-wildname coerces to a logical pathname, **translate-logical-pathname** will retranslate the result, repeatedly if necessary.

Implementations may define additional functions that operate on logical pathname hosts (for example, to specify additional translation rules or options).

*[Function]* **load-logical-pathname-translations** *host*

If a logical pathname host named *host* (a string) is already defined, this function returns **nil**. Otherwise, it searches for a logical pathname host definition in an implementation-defined manner. If none is found, it signals an error. If a definition is found, it installs the definition and returns **t**.

The search used by **load-logical-pathname-translations** should be documented, as logical pathname definitions will be created by users as well as by Lisp implementors. A typical search technique is to look in an implementation-defined directory for a file whose name is derived from the host name in an implementation-defined fashion.

*[Function]* **compile-file-pathname** *pathname* &*key* *:output-file*

Returns the pathname that **compile-file** would write into, if given the same arguments. If the *pathname* argument is a logical pathname and the **:output-file** argument is unspecified, the result is a logical pathname. If an implementation supports additional keyword arguments to **compile-file**, **compile-file-pathname** must accept the same arguments.

### Examples of the Use of Logical Pathnames

Here is a very simple example of setting up a logical pathname host named **FOO**. Suppose that no translations are necessary to get around file system restrictions, so all that is necessary is to specify the root of the physical directory tree that contains the logical file system. The namestring syntax in the to-wildname is implementation-specific.

```
(setf (logical-pathname-translations "foo")
      '(("**;*.*" "MY-LISPM:>library>foo>**>")))
```

The following is a sample use of that logical pathname. All return values are of course implementation-specific; all of the examples in this section are of course meant to be illustrative and not prescriptive.

```
(translate-logical-pathname "foo:bar;baz;mum.quux.3")
⇒ #P"MY-LISPM:>library>foo>bar>baz>mum.quux.3"
```

Next we have a more complex example, dividing the files among two file servers (**U**, supporting a UNIX file system, and **V**, supporting a VAX/VMS file system) and several different directories. This UNIX file system doesn't support **:wild-inferiors** in the directory, so each directory level must be translated individually. No file name or type translations are required except for **.MAIL** to **.MBX**. The namestring syntax used for the to-wildnames is implementation-specific.

```
(setf (logical-pathname-translations "prog")
      '(("RELEASED;*.*" "U:/sys/bin/my-prog/")
        ("RELEASED;*.*.*" "U:/sys/bin/my-prog/*/")
        ("EXPERIMENTAL;*.*"
         "U:/usr/Joe/development/prog/")
        ("EXPERIMENTAL;DOCUMENTATION;*.*"
         "V:SYS$DISK:[JOE.DOC]")
        ("EXPERIMENTAL;*.*.*"
         "U:/usr/Joe/development/prog/*/")
        ("MAIL;*.*.MAIL" "V:SYS$DISK:[JOE.MAIL.PROG...]*.MBX")))
```

Here are sample uses of logical host **PROG**. All return values are of course implementation-specific.

```
(translate-logical-pathname "prog:mail;save;ideas.mail.3")
⇒ #P"V:SYS$DISK:[JOE.MAIL.PROG.SAVE]IDEAS.MBX.3"
```

```
(translate-logical-pathname "prog:experimental;spreadsheet.c")
⇒ #P"U:/usr/Joe/development/prog/spreadsheet.c"
```

Suppose now that we have a program that uses three files logically named **MAIN.LISP**, **AUXILIARY.LISP**, and **DOCUMENTATION.LISP**. The following translations might be provided by a software supplier as examples.

For a UNIX file system with long file names:

```
(setf (logical-pathname-translations "prog")
      '(("CODE;*.*.*)"      "/lib/prog/"))

(translate-logical-pathname "prog:code;documentation.lisp")
⇒ #P"/lib/prog/documentation.lisp"
```

For a UNIX file system with 14-character file names, using **.lisp** as the type:

```
(setf (logical-pathname-translations "prog")
      '(("CODE;DOCUMENTATION.*.*" "/lib/prog/docum.*")
        ("CODE;*.*.*"      "/lib/prog/")))

(translate-logical-pathname "prog:code;documentation.lisp")
⇒ #P"/lib/prog/docum.lisp"
```

For a UNIX file system with 14-character file names, using **.l** as the type (the second translation shortens the compiled file type to **.b**):

```
(setf (logical-pathname-translations "prog")
      '(("*.LISP.*"      ,(logical-pathname "PROG:*.*.L.*"))
        ,(compile-file-pathname
           (logical-pathname "PROG:*.*.LISP.*"))
          ,(logical-pathname "PROG:*.*.B.*"))
        ("CODE;DOCUMENTATION.*.*" "/lib/prog/documentatio.*")
        ("CODE;*.*.*"      "/lib/prog/")))

(translate-logical-pathname "prog:code;documentation.lisp")
⇒ #P"/lib/prog/documentatio.l"
```

## Discussion of Logical Pathnames

Large programs can be moved between sites without changing any pathnames, provided all pathnames used are logical. A portable system construction tool can be created that operates on programs defined as sets of files named by logical pathnames.

Logical pathname syntax was chosen to be easily translated into the formats of most popular file systems, while still being powerful enough for storing large programs. Although they have hierarchical directories, extended wildcard matching, versions, and no limit on the length of names, logical pathnames can be mapped onto a less capable real file system by translating each directory that is used into a flat directory name, processing wildcards in the Lisp implementation rather than in the file system, treating all versions as **:newest**, and using translations to shorten long names.

Logical pathname words are restricted to non-case-sensitive letters, digits, and hyphens to avoid creating problems with real file systems that support limited character sets for file naming. (If logical pathnames were case-sensitive, it would be very difficult to map them into a file system that is not sensitive to case in its file names.)

It is not a goal of logical pathnames to be able to represent all possible file names. Their goal is rather to represent just enough file names to be useful for storing software. Real pathnames, in contrast, need to provide a uniform interface to all possible file names, including names and naming conventions that are not under the control of Common Lisp.

The choice of logical pathname syntax, using colon, semicolon, and period, was guided by the goals of being visually distinct from real file systems and minimizing the use of special characters.

The **logical-pathname** function is separate from the **pathname** function so that the syntax of logical pathname namestrings does not constrain the syntax of physical pathname namestrings in any way. Logical pathname syntax must be defined by Common Lisp so that logical pathnames can be conveniently exchanged between implementations, but physical pathname syntax is dictated by the operating environments.

The **compile-file-pathname** function and the specification of **LISP** as the type of a logical pathname for a Common Lisp source file together provide enough information about compilation to make possible a portable system construction tool. Suppose that it is desirable to call **compile-file** only if the source file is newer than the compiled file. For this to succeed, it

must be possible to know the name of the compiled file without actually calling **compile-file**. In some implementations the compiler produces one of several file types, depending on a variety of implementation-dependent circumstances, so it is not sufficient simply to prescribe a standard logical file type for compiled files; **compile-file-pathname** provides access to the defaulting that is performed by **compile-file** “in a manner appropriate to the implementation’s file system conventions.”

The use of the logical pathname host name **SYS** for the implementation is current practice. Standardizing on this name helps users choose logical pathname host names that avoid conflicting with implementation-defined names.

Loading of logical pathname translations from a site-dependent file allows software to be distributed using logical pathnames. The assumed model of software distribution is a division of labor between the supplier of the software and the user installing it. The supplier chooses logical pathnames to name all the files used or created by the software, and supplies examples of logical pathname translations for a few popular file systems. Each example uses an assumed directory and/or device name, assumes local file naming conventions, and provides translations that will translate all the logical pathnames used or generated by the particular software into valid physical pathnames. For a powerful file system these translations can be quite simple. For a more restricted file system, it may be necessary to list an explicit translation for every logical pathname used (for example, when dealing with restrictions on the maximum length of a file name).

The user installing the software decides on which device and directory to store the files and edits the example logical pathname translations accordingly. If necessary, the user also adjusts the translations for local file naming conventions and any other special aspects of the user’s local file system policy and local Common Lisp implementation. For example, the files might be divided among several file server hosts to share the load. The process of defining site-customized logical pathname translations is quite easy for a user of a popular file system for which the software supplier has provided an example. A user of a more unusual file system might have to take more time; the supplier can help by providing a list of all the logical pathnames used or generated by the software.

Once the user has created and executed a suitable **setf** form for setting the **logical-pathname-translations** of the relevant logical host, the software can be loaded and run. It may be necessary to use the translations again,

or on another workstation at the same site, so it is best to save the **setf** form in the standard place where it can be found later by **load-logical-pathname-translations**. Often a software supplier will include a program for restoring software from the distribution medium to the file system and a program for loading the software from the file system into a Common Lisp; these programs will start by calling **load-logical-pathname-translations** to make sure that the logical pathname host is defined.

Note that the **setf** of **logical-pathname-translations** form isn't part of the program; it is separate and is written by the user, not by the software supplier. That separation and a uniform convention for doing the separation are the key aspects of logical pathnames. For small programs involving only a handful of files, it doesn't matter much. The real benefits come with large programs with hundreds or thousands of files and more complicated situations such as program-generated file names or porting a program developed on a system with long file names onto a system with a very restrictive limit on the length of file names.

### 23.1.6 Pathname Functions

These functions are what programs use to parse and default file names that have been typed in or otherwise supplied by the user.

Any argument called *pathname* in this book may actually be a pathname, a string or symbol, or a stream. Any argument called *defaults* may likewise be a pathname, a string or symbol, or a stream.

X3J13 voted in March 1988 to change the language so that a symbol is *never* allowed as a pathname argument. More specifically, the following functions are changed to disallow a symbol as a *pathname* argument:

<b>pathname</b>	<b>pathname-device</b>	<b>namestring</b>
<b>truename</b>	<b>pathname-directory</b>	<b>file-namestring</b>
<b>parse-namestring</b>	<b>pathname-name</b>	<b>directory-namestring</b>
<b>merge-pathnames</b>	<b>pathname-type</b>	<b>host-namestring</b>
<b>pathname-host</b>	<b>pathname-version</b>	<b>enough-namestring</b>

(The function **require** was also changed by this vote but was deleted from the language by a vote in January 1989 .) Furthermore, the vote reaffirmed that the following functions do not accept symbols as *file*, *filename*, or *pathname* arguments:



<b>open</b>	<b>rename-file</b>	<b>file-write-date</b>
<b>with-open-file</b>	<b>delete-file</b>	<b>file-author</b>
<b>load</b>	<b>probe-file</b>	<b>directory</b>
<b>compile-file</b>		

In older implementations of Lisp that did not have strings, for example MacLisp, symbols were the only means for specifying pathnames. This was convenient only because the file systems of the time allowed only uppercase letters in file names. Typing `(load 'foo)` caused the function `load` to receive the symbol `FOO` (with uppercase letters because of the way symbols are parsed) and therefore to load the file named `FOO`. Now that many file systems, most notably UNIX, support case-sensitive file names, the use of symbols is less convenient and more error-prone.

X3J13 voted in March 1988 to specify that a stream may be used as a **pathname**, **file**, or **filename** argument only if it was created by use of `open` or `with-open-file`, or if it is a synonym stream whose symbol is bound to a stream that may be used as a pathname.

If such a stream is used as a pathname, it is as if the `pathname` function were applied to the stream and the resulting pathname used in place of the stream. This represents the name used to open the file. This may be, but is not required to be, the actual name of the file.

It is an error to attempt to obtain a pathname from a stream created by any of the following:

<b>make-two-way-stream</b>	<b>make-string-input-stream</b>
<b>make-echo-stream</b>	<b>make-string-output-stream</b>
<b>make-broadcast-stream</b>	<b>with-input-from-string</b>
<b>make-concatenated-stream</b>	<b>with-output-to-string</b>

In the examples, it is assumed that the host named `CMUC` runs the TOPS-20 operating system, and therefore uses TOPS-20 file system syntax; furthermore, an explicit host name is indicated by following the host name with a double colon. Remember, however, that namestring syntax is implementation-dependent, and this syntax is used here purely for the sake of examples.

*[Function]* **pathname** *pathname*

The `pathname` function converts its argument to be a pathname. The argument may be a pathname, a string or symbol, or a stream; the result is always a pathname.

X3J13 voted in March 1988 not to permit symbols as pathnames and to specify exactly which streams may be used as pathnames .

X3J13 voted in January 1989 to specify that **pathname** is unaffected by whether its argument, if a stream, is open or closed. X3J13 further commented that because some implementations cannot provide the “true name” of a file until the file is closed, in such an implementation **pathname** might, in principle, return a different (perhaps more specific) file name after the stream is closed. However, such behavior is prohibited; **pathname** must return the same pathname after a stream is closed as it would have while the stream was open. See **truename**.

*[Function]* **truename** *pathname*

The **truename** function endeavors to discover the “true name” of the file associated with the *pathname* within the file system. If the *pathname* is an open stream already associated with a file in the file system, that file is used. The “true name” is returned as a pathname. An error is signaled if an appropriate file cannot be located within the file system for the given *pathname*.

The **truename** function may be used to account for any file name translations performed by the file system, for example.

For example, suppose that **DOC:** is a TOPS-20 logical device name that is translated by the TOPS-20 file system to be **PS:<DOCUMENTATION>**.

```
(setq file (open "CMUC::DOC:DUMPER.HLP"))
(namestring (pathname file)) ⇒ "CMUC::DOC:DUMPER.HLP"
(namestring (truename file))
⇒ "CMUC::PS:<DOCUMENTATION>DUMPER.HLP.13"
```

X3J13 voted in March 1988 not to permit symbols as pathnames and to specify exactly which streams may be used as pathnames .

X3J13 voted in January 1989 to specify that **truename** may be applied to a stream whether the stream is open or closed. X3J13 further commented that because some implementations cannot provide the “true name” of a file until the file is closed, in principle it would be possible in such an implementation for **truename** to return a different file name after the stream is closed. Such behavior is permitted; in this respect **truename** differs from **pathname**.

X3J13 voted in June 1989 to clarify that **truename** accepts only non-wild pathnames; an error is signaled if **wild-pathname-p** would be true of the *pathname* argument.

X3J13 voted in June 1989 to require **truename** to accept logical pathnames (see section 23.1.5). However, **truename** never returns a logical pathname.

*[Function]* **parse-namestring** *thing* &optional *host defaults* &key *:start* *:end* *:junk-allowed*

This turns *thing* into a pathname. The *thing* is usually a string (that is, a namestring), but it may be a symbol (in which case the print name is used) or a pathname or stream (in which case no parsing is needed, but an error check may be made for matching hosts).

X3J13 voted in March 1988 not to permit symbols as pathnames and to specify exactly which streams may be used as pathnames. The *thing* argument may not be a symbol.

X3J13 voted in June 1989 to require **parse-namestring** to accept logical pathname namestrings (see section 23.1.5).

This function does *not*, in general, do defaulting of pathname components, even though it has an argument named *defaults*; it only does parsing. The *host* and *defaults* arguments are present because in some implementations it may be that a namestring can only be parsed with reference to a particular file name syntax of several available in the implementation. If *host* is non-**nil**, it must be a host name that could appear in the host component of a pathname, or **nil**; if *host* is **nil** then the host name is extracted from the default pathname in *defaults* and used to determine the syntax convention. The *defaults* argument defaults to the value of **\*default-pathname-defaults\***.

For a string (or symbol) argument, **parse-namestring** parses a file name within it in the range delimited by the **:start** and **:end** arguments (which are integer indices into *string*, defaulting to the beginning and end of the string).

See chapter 14 for a discussion of **:start** and **:end** arguments.

If **:junk-allowed** is not **nil**, then the first value returned is the pathname parsed, or **nil** if no syntactically correct pathname was seen.

If **:junk-allowed** is **nil** (the default), then the entire substring is scanned. The returned value is the pathname parsed. An error is signaled if the substring does not consist entirely of the representation of a pathname, possibly

surrounded on either side by whitespace characters if that is appropriate to the cultural conventions of the implementation.

In either case, the second value is the index into the string of the delimiter that terminated the parse, or the index beyond the substring if the parse terminated at the end of the substring (as will always be the case if **:junk-allowed** is false).

If *thing* is not a string or symbol, then *start* (which defaults to zero in any case) is always returned as the second value.

Parsing an empty string always succeeds, producing a pathname with all components (except the host) equal to **nil**.

Note that if *host* is specified and not **nil**, and *thing* contains a manifest host name, an error is signaled if the hosts do not match.

If *thing* contains an explicit host name and no explicit device name, then it might be appropriate, depending on the implementation environment, for **parse-namestring** to supply the standard default device for that host as the device component of the resulting pathname.

*[Function]* **merge-pathnames** *pathname* &optional *defaults*  
*default-version*

X3J13 voted in March 1988 not to permit symbols as pathnames and to specify exactly which streams may be used as pathnames .

X3J13 voted in June 1989 to require **merge-namestrings** to recognize a logical pathname namestring as its first argument if its second argument is a logical pathname (see section 23.1.5).

X3J13 voted in January 1989 to specify that **merge-pathname** is unaffected by whether the first argument, if a stream, is open or closed. If the first argument is a stream, **merge-pathname** behaves as if the function **pathname** were applied to the stream and the resulting pathname used instead.

X3J13 voted in June 1989 to require **merge-pathnames** to map customary case in argument pathnames to the customary case in returned pathnames (see section 23.1.2).

*defaults* defaults to the value of **\*default-pathname-defaults\***.

*default-version* defaults to **:newest**.

Here is an example of the use of **merge-pathnames**:

```
(merge-pathnames "CMUC::FORMAT"
```

```
"CMUC::PS:<LISPIO>.FASL")
```

⇒ a pathname object that re-expressed as a namestring would be

```
"CMUC::PS:<LISPIO>FORMAT.FASL.0"
```

Defaulting of pathname components is done by filling in components taken from another pathname. This is especially useful for cases such as a program that has an input file and an output file, and asks the user for the name of both, letting the unsupplied components of one name default from the other. Unspecified components of the output pathname will come from the input pathname, except that the type should default not to the type of the input but to the appropriate default type for output from this program.

The pathname merging operation takes as input a given pathname, a defaults pathname, and a default version, and returns a new pathname. Basically, the missing components in the given pathname are filled in from the defaults pathname, except that if no version is specified the default version is used. The default version is usually **:newest**; if no version is specified the newest version in existence should be used. The default version can be **nil**, to preserve the information that it was missing in the input pathname.

If the given pathname explicitly specifies a host and does not supply a device, then if the host component of the defaults matches the host component of the given pathname, then the device is taken from the defaults; otherwise the device will be the default file device for that host. Next, if the given pathname does not specify a host, device, directory, name, or type, each such component is copied from the defaults. The merging rules for the version are more complicated and depend on whether the pathname specifies a name. If the pathname doesn't specify a name, then the version, if not provided, will come from the defaults, just like the other components. However, if the pathname does specify a name, then the version is not affected by the defaults. The reason is that the version "belongs to" some other file name and is unlikely to have anything to do with the new one. Finally, if this process leaves the version missing, the default version is used.

The net effect is that if the user supplies just a name, then the host, device, directory, and type will come from the defaults, but the version will come from the default version argument to the merging operation. If the user supplies nothing, or just a directory, the name, type, and version will come over from the defaults together. If the host's file name syntax provides a way to input a version without a name or type, the user can let the name and type default but supply a version different from the one in the defaults.

X3J13 voted in June 1989 to agree to disagree: **merge-pathname** might or might not perform plausibility checking on its arguments to ensure that the resulting pathname can be converted a valid namestring. User beware: this could cause portability problems.

For example, suppose that host **LOSER** constrains file types to be three characters or fewer but host **CMUC** does not. Then "**LOSER::FORMAT**" is a valid namestring and "**CMUC::PS:<LISPIO>.FASL**" is a valid namestring, but

```
(merge-pathnames "LOSER::FORMAT" "CMUC::PS:<LISPIO>.FASL")
```

might signal an error in some implementations because the hypothetical result would be a pathname equivalent to the namestring "**LOSER::FORMAT.FASL**" which is illegal because the file type **FASL** has more than three characters. In other implementations **merge-pathname** might return a pathname but that pathname might cause **namestring** to signal an error.

*[Variable]* **\*default-pathname-defaults\***

This is the default pathname-defaults pathname; if any pathname primitive that needs a set of defaults is not given one, it uses this one. As a general rule, however, each program should have its own pathname defaults rather than using this one.

The following example assumes the use of UNIX syntax and conventions.

```
(make-pathname :host "technodrome"
               :directory '(:absolute "usr" "krang")
               :name "shredder")
⇒ #P"technodrome:/usr/krang/shredder"
```

X3J13 voted in June 1989 to add a new keyword argument **:case** to **make-pathname**. The new argument description is therefore as follows:

*[Function]* **make-pathname** &key *:host :device :directory :name :type*  
*:version :defaults :case*

See section 23.1.2 for a description of the **:case** argument.

X3J13 voted in June 1989 to agree to disagree: **make-pathname** might or might not check on its arguments to ensure that the resulting pathname

can be converted to a valid namestring. If **make-pathname** does not check its arguments and signal an error in problematical cases, **namestring** yet might or might not signal an error when given the resulting pathname. User beware: this could cause portability problems.

*[Function]* **pathnamep** *object*

This predicate is true if *object* is a pathname, and otherwise is false.

(pathnamep x)  $\equiv$  (typep x 'pathname)

X3J13 voted in March 1988 not to permit symbols as pathnames and to specify exactly which streams may be used as pathnames .

X3J13 voted in January 1989 to specify that these operations are unaffected by whether the first argument, if a stream, is open or closed. If the first argument is a stream, each operation behaves as if the function **pathname** were applied to the stream and the resulting pathname used instead.

X3J13 voted in June 1989 to add a keyword argument **:case** to all of the pathname accessor functions except **pathname-version**. The new argument descriptions are therefore as follows:

*[Function]* **pathname-host** *pathname &key :case*

*[Function]* **pathname-device** *pathname &key :case*

*[Function]* **pathname-directory** *pathname &key :case*

*[Function]* **pathname-name** *pathname &key :case*

*[Function]* **pathname-type** *pathname &key :case*

*[Function]* **pathname-version** *pathname*

See section 23.1.2 for a description of the **:case** argument.

X3J13 voted in June 1989 to specify that **pathname-directory** always returns **nil**, **:unspecific**, or a list—never a string, never **:wild** (see section 23.1.3). If a list is returned, it is not guaranteed to be freshly consed; the consequences of modifying this list are undefined.

*[Function]* **namestring** *pathname*

*[Function]* **file-namestring** *pathname*

*[Function]* **directory-namestring** *pathname*

*[Function]* **host-namestring** *pathname*

[Function] **enough-namestring** *pathname* &optional *defaults*

The *pathname* argument may be a pathname, a string or symbol, or a stream that is or was open to a file. The name represented by *pathname* is returned as a namelist in canonical form.

If *pathname* is a stream, the name returned represents the name used to *open* the file, which may not be the *actual* name of the file (see **truename**).

X3J13 voted in March 1988 not to permit symbols as pathnames and to specify exactly which streams may be used as pathnames .

X3J13 voted in January 1989 to specify that these operations are unaffected by whether the first argument, if a stream, is open or closed. If the first argument is a stream, each operation behaves as if the function **pathname** were applied to the stream and the resulting pathname used instead.

**namestring** returns the full form of the *pathname* as a string. **file-namestring** returns a string representing just the *name*, *type*, and *version* components of the *pathname*; the result of **directory-namestring** represents just the *directory-name* portion; and **host-namestring** returns a string for just the *host-name* portion. Note that a valid namestring cannot necessarily be constructed simply by concatenating some of the three shorter strings in some order.

**enough-namestring** takes another argument, *defaults*. It returns an abbreviated namestring that is just sufficient to identify the file named by *pathname* when considered relative to the *defaults* (which defaults to the value of **\*default-pathname-defaults\***). That is, it is required that

$$\begin{aligned} &(\text{merge-pathnames} (\text{enough-namestring } \textit{pathname} \textit{defaults}) \textit{defaults}) \equiv \\ &(\text{merge-pathnames} (\text{parse-namestring } \textit{pathname} \textit{nil} \textit{defaults}) \textit{defaults}) \end{aligned}$$

in all cases; and the result of **enough-namestring** is, roughly speaking, the shortest reasonable string that will still satisfy this criterion. X3J13 voted in June 1989 to agree to disagree: **make-pathname** and **merge-pathnames** might or might not be able to produce pathnames that cannot be converted to valid namestrings. User beware: this could cause portability problems.

[Function] **user-homedir-pathname** &optional *host*

Returns a pathname for the user's "home directory" on *host*. The *host* argument defaults in some appropriate implementation-dependent man-



ner. The concept of “home directory” is itself somewhat implementation-dependent, but from the point of view of Common Lisp it is the directory where the user keeps personal files such as initialization files and mail. If it is impossible to determine this information, then **nil** is returned instead of a pathname; however, **user-homedir-pathname** never returns **nil** if the *host* argument is not specified. This function returns a pathname without any name, type, or version component (those components are all **nil**).

## 23.2 Opening and Closing Files

When a file is *opened*, a stream object is constructed to serve as the file system’s ambassador to the Lisp environment; operations on the stream are reflected by operations on the file in the file system. The act of *closing* the file (actually, the stream) ends the association; the transaction with the file system is terminated, and input/output may no longer be performed on the stream. The stream function **close** may be used to close a file; the functions described below may be used to open them. The basic operation is **open**, but **with-open-file** is usually more convenient for most applications.

[Function] **open** *filename* &key *:direction* *:element-type* *:if-exists*  
*:if-does-not-exist* *:external-format*

X3J13 voted in June 1989 to add to the function **open** a new keyword argument **:external-format**. This argument did not appear in the preceding argument description in the first edition.

This returns a stream that is connected to the file specified by *filename*. The *filename* is the name of the file to be opened; it may be a string, a pathname, or a stream. (If the *filename* is a stream, then it is not closed first or otherwise affected; it is used merely to provide a file name for the opening of a new stream.)

X3J13 voted in January 1989 to specify that the result of **open**, if it is a stream, is always a stream of type **file-stream**.

X3J13 voted in March 1988 to specify exactly which streams may be used as pathnames. See section 23.1.6.

X3J13 voted in January 1989 to specify that **open** is unaffected by whether the first argument, if a stream, is open or closed. If the first argument is a stream, **open** behaves as if the function **pathname** were applied to the stream and the resulting pathname used instead.

X3J13 voted in June 1989 to clarify that **open** accepts only non-wild pathnames; an error is signaled if **wild-pathname-p** would be true of *file-name*.

X3J13 voted in June 1989 to require **open** to accept logical pathnames (see section 23.1.5).

The keyword arguments specify what kind of stream to produce and how to handle errors:

**:direction** This argument specifies whether the stream should handle input, output, or both.

**:input** The result will be an input stream. This is the default.

**:output** The result will be an output stream.

**:io** The result will be a bidirectional stream.

**:probe** The result will be a no-directional stream (in effect, the stream is created and then closed). This is useful for determining whether a file exists without actually setting up a complete stream.

**:element-type** This argument specifies the type of the unit of transaction for the stream. Anything that can be recognized as being a finite subtype of **character** or **integer** is acceptable. In particular, the following types are recognized:

**character** The unit of transaction is any character, not just a string-character. The functions **read-char** and **write-char** (depending on the value of the **:direction** argument) may be used on the stream. This is the default.

**base-char** The unit of transaction is a base character. The functions **read-char** and **write-char** (depending on the value of the **:direction** argument) may be used on the stream.

**(unsigned-byte *n*)** The unit of transaction is an unsigned byte (a non-negative integer) of size *n*. The functions **read-byte** and/or **write-byte** may be used on the stream.

**unsigned-byte** The unit of transaction is an unsigned byte (a non-negative integer); the size of the byte is determined by the file system. The functions **read-byte** and/or **write-byte** may be used on the stream.

**(signed-byte *n*)** The unit of transaction is a signed byte of size *n*. The functions **read-byte** and/or **write-byte** may be used on the stream.

**signed-byte** The unit of transaction is a signed byte; the size of the byte is determined by the file system. The functions **read-byte** and/or **write-byte** may be used on the stream.

**bit** The unit of transaction is a bit (values **0** and **1**). The functions **read-byte** and/or **write-byte** may be used on the stream.

**(mod *n*)** The unit of transaction is a non-negative integer less than *n*. The functions **read-byte** and/or **write-byte** may be used on the stream.

**:default** The unit of transaction is to be determined by the file system, based on the file it finds. The type can be determined by using the function **stream-element-type**.

**:if-exists** This argument specifies the action to be taken if the **:direction** is **:output** or **:io** and a file of the specified name already exists. If the direction is **:input** or **:probe**, this argument is ignored.

**:error** Signals an error. This is the default when the version component of the *filename* is not **:newest**.

**:new-version** Creates a new file with the same file name but with a larger version number. This is the default when the version component of the *filename* is **:newest**.

**:rename** Renames the existing file to some other name and then creates a new file with the specified name.

**:rename-and-delete** Renames the existing file to some other name and then deletes it (but does not expunge it, on those systems that distinguish deletion from expunging). Then create a new file with the specified name.

- :overwrite** Uses the existing file. Output operations on the stream will destructively modify the file. If the **:direction** is **:io**, the file is opened in a bidirectional mode that allows both reading and writing. The file pointer is initially positioned at the beginning of the file; however, the file is not truncated back to length zero when it is opened. This mode is most useful when the **file-position** function can be used on the stream.
- :append** Uses the existing file. Output operations on the stream will destructively modify the file. The file pointer is initially positioned at the end of the file. If the **:direction** is **:io**, the file is opened in a bidirectional mode that allows both reading and writing.
- :supersede** Supersedes the existing file. If possible, the implementation should arrange not to destroy the old file until the new stream is closed, against the possibility that the stream will be closed in “abort” mode (see **close**). This differs from **:new-version** in that **:supersede** creates a new file with the same name as the old one, rather than a file name with a higher version number.
- nil** Does not create a file or even a stream, but instead simply returns **nil** to indicate failure.

If the **:direction** is **:output** or **:io** and the value of **:if-exists** is **:new-version**, then the version of the (newly created) file that is opened will be a version greater than that of any other file in the file system whose other pathname components are the same as those of *filename*.

If the **:direction** is **:input** or **:probe** or the value of **:if-exists** is not **:new-version**, *and* the version component of the *filename* is **:newest**, then the file opened is that file already existing in the file system that has a version greater than that of any other file in the file system whose other pathname components are the same as those of *filename*.

Some file systems permit yet other actions to be taken when a file already exists; therefore, some implementations provide implementation-specific **:if-exist** options.

---

**Implementation note:** The various file systems in existence today have widely differing capabilities. A given implementation may not be able to support all of these options in exactly the manner stated. An implementation is required to recognize all of these option keywords and to try to do something “reasonable” in the context of the host operating system. Implementors are encouraged to approximate the semantics specified here as closely as possible.

As an example, suppose that a file system does not support distinct file versions and does not distinguish the notions of deletion and expunging (in some file systems file deletion is reversible until an expunge operation is performed). Then **:new-version** might be treated the same as **:rename** or **:supersede**, and **:rename-and-delete** might be treated the same as **:supersede**.

If it is utterly impossible for an implementation to handle some option in a manner close to what is specified here, it may simply signal an error. The opening of files is an area where complete portability is too much to hope for; the intent here is simply to make things as portable as possible by providing specific names for a range of commonly supportable options.

---

**:if-does-not-exist** This argument specifies the action to be taken if a file of the specified name does not already exist.

**:error** Signals an error. This is the default if the **:direction** is **:input**, or if the **:if-exists** argument is **:overwrite** or **:append**.

**:create** Creates an empty file with the specified name and then proceeds as if it had already existed (but do not perform any processing directed by the **:if-exists** argument). This is the default if the **:direction** is **:output** or **:io**, and the **:if-exists** argument is anything but **:overwrite** or **:append**.

**nil** Does not create a file or even a stream, but instead simply returns **nil** to indicate failure. This is the default if the **:direction** is **:probe**.

X3J13 voted in June 1989 to add to the function **open** a new keyword argument **:external-format**.

**:external-format** This argument specifies an implementation-recognized scheme for representing characters in files. The default value is **:default**

and is implementation-defined but must support the base characters. An error is signaled if the implementation does not recognize the specified format.

This argument may be specified if the **:direction** argument is **:input**, **:output**, or **:io**. It is an error to write a character to the resulting stream that cannot be represented by the specified file format. (However, the `#\Newline` character cannot produce such an error; implementations must provide appropriate line division behavior for all character streams.)

See **stream-external-format**.

When the caller is finished with the stream, it should close the file by using the **close** function. The **with-open-file** form does this automatically, and so is preferred for most purposes. **open** should be used only when the control structure of the program necessitates opening and closing of a file in some way more complex than provided by **with-open-file**. It is suggested that any program that uses **open** directly should use the special operator **unwind-protect** to close the file if an abnormal exit occurs.

*[Macro]* **with-open-file** (stream filename {options}\*)  
{declaration}\* {form}\*

**with-open-file** evaluates the *forms* of the body (an implicit **progn**) with the variable *stream* bound to a stream that reads or writes the file named by the value of *filename*. The *options* are evaluated and are used as keyword arguments to the function **open**.

When control leaves the body, either normally or abnormally (such as by use of **throw**), the file is automatically closed. If a new output file is being written, and control leaves abnormally, the file is aborted and the file system is left, so far as possible, as if the file had never been opened. Because **with-open-file** always closes the file, even when an error exit is taken, it is preferred over **open** for most applications.

*filename* is the name of the file to be opened; it may be a string, a pathname, or a stream.

X3J13 voted in March 1988 to specify exactly which streams may be used as pathnames. See section 23.1.6.

X3J13 voted in June 1989 to clarify that **with-open-file** accepts only non-wild pathnames; an error is signaled if **wild-pathname-p** would be true of the *filename* argument.

X3J13 voted in June 1989 to require **with-open-file** to accept logical pathnames (see section 23.1.5).

For example:

```
(with-open-file (ifile name
                :direction :input)
  (with-open-file (ofile (merge-pathname-defaults ifile
                                                    nil
                                                    "out"))
    :direction :output
    :if-exists :supersede)
  (transduce-file ifile ofile)))
```

X3J13 voted in June 1989 to specify that the variable *stream* is not always bound to a stream; rather it is bound to whatever would be returned by a call to **open**. For example, if the options include **:if-does-not-exist nil**, *stream* will be bound to **nil** if the file does not exist. In this case the value of *stream* should be tested within the body of the **with-open-file** form before it is used as a stream. For example:

```
(with-open-file (ifile name
                :direction :input
                :if-does-not-exist nil)
  ;; Process the file only if it actually exists.
  (when (streamp name)
    (compile-cobol-program ifile)))
```

---

**Implementation note:** While **with-open-file** tries to automatically close the stream on exit from the construct, for robustness it is helpful if the garbage collector can detect discarded streams and automatically close them.

---

## 23.3 Renaming, Deleting, and Other File Operations

These functions provide a standard interface to operations provided in some form by most file systems. It may be that some implementations of Common Lisp cannot support them all completely.

[Function] **rename-file** *file new-name*

The specified *file* is renamed to *new-name* (which must be a file name). The *file* may be a string, a pathname, or a stream. If it is an open stream associated with a file, then the stream itself and the file associated with it are affected (if the file system permits).

X3J13 voted in March 1988 to specify exactly which streams may be used as pathnames. See section 23.1.6.

**rename-file** returns three values if successful. The first value is the *new-name* with any missing components filled in by performing a **merge-pathnames** operation using *file* as the defaults. The second value is the **truename** of the file before it was renamed. The third value is the **truename** of the file after it was renamed.

If the renaming operation is not successful, an error is signaled.

X3J13 voted in June 1989 to require **rename-file** to accept logical pathnames (see section 23.1.5).

[Function] **delete-file** *file*

The specified *file* is deleted. The *file* may be a string, a pathname, or a stream. If it is an open stream associated with a file, then the stream itself and the file associated with it are affected (if the file system permits), in which case the stream may or may not be closed immediately, and the deletion may be immediate or delayed until the stream is explicitly closed, depending on the requirements of the file system.

X3J13 voted in March 1988 to specify exactly which streams may be used as pathnames. See section 23.1.6.

**delete-file** returns a non-**nil** value if successful. It is left to the discretion of the implementation whether an attempt to delete a non-existent file is considered to be successful. If the deleting operation is not successful, an error is signaled.

X3J13 voted in June 1989 to require **delete-file** to accept logical pathnames (see section 23.1.5).

[Function] **probe-file** *file*

This predicate is false if there is no file named *file*, and otherwise returns a pathname that is the true name of the file (which may be different from *file* because of file links, version numbers, or other artifacts of the file system).



Note that if the *file* is an open stream associated with a file, then **probe-file** cannot return **nil** but will produce the true name of the associated file. See **truename** and the **:probe** value for the **:direction** argument to **open**.

X3J13 voted in March 1988 to specify exactly which streams may be used as pathnames. See section 23.1.6.

X3J13 voted in June 1989 to clarify that **probe-file** accepts only non-wild pathnames; an error is signaled if **wild-pathname-p** would be true of the *file* argument.

X3J13 voted in June 1989 to require **probe-file** to accept logical pathnames (see section 23.1.5). However, **probe-file** never returns a logical pathname.

X3J13 voted in January 1989 to specify that **probe-file** is unaffected by whether the first argument, if a stream, is open or closed. If the first argument is a stream, **probe-file** behaves as if the function **pathname** were applied to the stream and the resulting pathname used instead. However, X3J13 further commented that the treatment of open streams may differ considerably from one implementation to another; for example, in some operating systems open files are written under a temporary or invisible name and later renamed when closed. In general, programmers writing code intended to be portable should be very careful when using **probe-file**.

[Function] **file-write-date** *file*

*file* can be a file name or a stream that is open to a file. This returns the time at which the file was created or last written as an integer in universal time format (see section 24.3.1), or **nil** if this cannot be determined.

X3J13 voted in March 1988 to specify exactly which streams may be used as pathnames. See section 23.1.6.

X3J13 voted in June 1989 to clarify that **file-write-date** accepts only non-wild pathnames; an error is signaled if **wild-pathname-p** would be true of the *file* argument.

X3J13 voted in June 1989 to require **file-write-date** to accept logical pathnames (see section 23.1.5).

[Function] **file-author** *file*

*file* can be a file name or a stream that is open to a file. This returns the name of the author of the file as a string, or **nil** if this cannot be determined.

X3J13 voted in March 1988 to specify exactly which streams may be used as pathnames. See section 23.1.6.

X3J13 voted in June 1989 to clarify that **file-author** accepts only non-wild pathnames; an error is signaled if **wild-pathname-p** would be true of the *file* argument.

X3J13 voted in June 1989 to require **file-author** to accept logical pathnames (see section 23.1.5).

[Function] **file-position** *file-stream* &optional *position*

**file-position** returns or sets the current position within a random-access file.

(**file-position** *file-stream*) returns a non-negative integer indicating the current position within the *file-stream*, or **nil** if this cannot be determined. The file position at the start of a file will be zero. The value returned by **file-position** increases monotonically as input or output operations are performed. For a character file, performing a single **read-char** or **write-char** operation may cause the file position to be increased by more than 1 because of character-set translations (such as translating between the Common Lisp **#\Newline** character and an external ASCII carriage-return/line-feed sequence) and other aspects of the implementation. For a binary file, every **read-byte** or **write-byte** operation increases the file position by 1.

(**file-position** *file-stream* *position*) sets the position within *file-stream* to be *position*. The *position* may be an integer, or **:start** for the beginning of the stream, or **:end** for the end of the stream. If the integer is too large or otherwise inappropriate, an error is signaled (the **file-length** function returns the length beyond which **file-position** may not access). An integer returned by **file-position** of one argument should, in general, be acceptable as a second argument for use with the same file. With two arguments, **file-position** returns **t** if the repositioning was performed successfully, or **nil** if it was not (for example, because the file was not random-access).

**Implementation note:** Implementations that have character files represented as a sequence of records of bounded size might choose to encode the file position as, for example, *record-number*\*256+*character-within-record*. This is a valid encoding because it increases monotonically as each character is read or written, though not necessarily by 1 at each step. An integer might then be considered “inappropriate” as a second argument to **file-position** if, when decoded into record number and

character number, it turned out that the specified record was too short for the specified character number.

[Function] **file-length** *file-stream*

*file-stream* must be a stream that is open to a file. The length of the file is returned as a non-negative integer, or **nil** if the length cannot be determined. For a binary file, the length is specifically measured in units of the **:element-type** specified when the file was opened (see **open**).

[Function] **file-string-length** *file-stream object*

X3J13 voted in June 1989 to add the function **file-string-length**. The *object* must be a string or a character. The function **file-string-length** returns a non-negative integer that is the difference between what the **file-position** of the *file-stream* would be after and before writing the *object* to the *file-stream*, or **nil** if this difference cannot be determined. The value returned may depend on the current state of the *file-stream*; that is, calling **file-string-length** on the same arguments twice may in certain circumstances produce two different integers.

## 23.4 Loading Files

To *load* a file is to read through the file, evaluating each form in it. Programs are typically stored in files containing calls to constructs such as **defun**, **defmacro**, and **defvar**, which define the functions and variables of the program.

Loading a compiled (“fasload”) file is similar, except that the file does not contain text but rather pre-digested expressions created by the compiler that can be loaded more quickly.

[Function] **load** *filename &key :verbose :print :if-does-not-exist*

This function loads the file named by *filename* into the Lisp environment. It is assumed that a text (character file) can be automatically distinguished from an object (binary) file by some appropriate implementation-dependent means, possibly by the file type. The defaults for *filename* are taken from the variable **\*default-pathname-defaults\***. If the *filename* (after the merging in of the defaults) does not explicitly specify a type, and both text and object

types of the file are available in the file system, **load** should try to select the more appropriate file by some implementation-dependent means.

If the first argument is a stream rather than a pathname, then **load** determines what kind of stream it is and loads directly from the stream.

The **:verbose** argument (which defaults to the value of **\*load-verbose\***), if true, permits **load** to print a message in the form of a comment (that is, with a leading semicolon) to **\*standard-output\*** indicating what file is being loaded and other useful information.

The **:print** argument (default **nil**), if true, causes the value of each expression loaded to be printed to **\*standard-output\***. If a binary file is being loaded, then what is printed may not reflect precisely the contents of the source file, but nevertheless some information will be printed. X3J13 voted in March 1989 to add the variable **\*load-print\***; its value is used as the default for the **:print** argument to **load**.

The function **load** rebinds **\*package\*** to its current value. If some form in the file changes the value of **\*package\*** during loading, the old value will be restored when the loading is completed. (This was specified in the first edition under the description of **\*package\***; for convenience I now mention it here as well.)

X3J13 voted in March 1988 to specify exactly which streams may be used as pathnames. See section 23.1.6.

X3J13 voted in June 1989 to clarify that supplying a wild pathname as the *filename* argument to **load** has implementation-dependent consequences; **load** might signal an error, for example, or might load all files that match the pathname.

X3J13 voted in June 1989 to require **load** to accept logical pathnames (see section 23.1.5).

If a file is successfully loaded, **load** always returns a non-**nil** value. If **:if-does-not-exist** is specified and is **nil**, **load** just returns **nil** rather than signaling an error if the file does not exist.

X3J13 voted in March 1989 to require that **load** bind **\*readtable\*** to its current value at the time **load** is called; the dynamic extent of the binding should encompass all of the file-loading activity. This allows a portable program to include forms such as

```
(in-package "FOO")
```

```
(eval-when (:execute :load-toplevel :compile-toplevel)
  (setq *readtable* foo:my-readtable))
```

without performing a net global side effect on the loading environment. Such statements allow the remainder of such a file to be read either as interpreted code or by **compile-file** in a syntax determined by an alternative readtable.

X3J13 voted in June 1989 to require that **load** bind two new variables **\*load-pathname\*** and **\*load-truename\***; the dynamic extent of the bindings should encompass all of the file-loading activity.

*[Variable]* **\*load-verbose\***

This variable provides the default for the **:verbose** argument to **load**. Its initial value is implementation-dependent.

*[Variable]* **\*load-print\***

X3J13 voted in March 1989 to add **\*load-print\***. This variable provides the default for the **:print** argument to **load**. Its initial value is **nil**.

*[Variable]* **\*load-pathname\***

X3J13 voted in June 1989 to introduce **\*load-pathname\***; it is initially **nil** but **load** binds it to a pathname that represents the file name given as the first argument to **load** merged with the defaults (see **merge-pathname**).

*[Variable]* **\*load-truename\***

X3J13 voted in June 1989 to introduce **\*load-truename\***; it is initially **nil** but **load** binds it to the “true name” of the file being loaded. See **true-name**.

X3J13 voted in March 1989 to introduce a facility based on the Object System whereby a user can specify how **compile-file** and **load** must cooperate to reconstruct compile-time constant objects at load time. The protocol is simply this: **compile-file** calls the generic function **make-load-form** on any object that is referenced as a constant or as a self-evaluating

form, if the object's metaclass is **standard-class**, **structure-class**, any user-defined metaclass (not a subclass of **built-in-class**), or any of a possibly empty implementation-defined list of other metaclasses; **compile-file** will call **make-load-form** only once for any given object (as determined by **eq**) within a single file. The user-programmability stems from the possibility of user-defined methods for **make-load-form**. The helper function **make-load-form-saving-slots** makes it easy to write commonly used versions of such methods.

[*Generic function*] **make-load-form** *object*

The argument is an object that is referenced as a constant or as a self-evaluating form in a file being compiled by **compile-file**. The objective is to enable **load** to construct an equivalent object.

The first value, called the *creation form*, is a form that, when evaluated at load time, should return an object that is equivalent to the argument. The exact meaning of “equivalent” depends on the type of object and is up to the programmer who defines a method for **make-load-form**. This allows the user to program the notion of “similar as a constant” (see section 24.1).

The second value, called the *initialization form*, is a form that, when evaluated at load time, should perform further initialization of the object. The value returned by the initialization form is ignored. If the **make-load-form** method returns only one value, the initialization form is **nil**, which has no effect. If the object used as the argument to **make-load-form** appears as a constant in the initialization form, at load time it will be replaced by the equivalent object constructed by the creation form; this is how the further initialization gains access to the object.

Two values are returned so that circular structures may be handled. The order of evaluation rules discussed below for creation and initialization forms eliminates the possibility of partially initialized objects in the absence of circular structures and reduces the possibility to a minimum in the presence of circular structures. This allows nodes in non-circular structures to be built out of fully initialized subparts.

Both the creation form and the initialization form can contain references to objects of user-defined types (defined precisely below). However, there must not be any circular dependencies in creation forms. An example of a circular dependency: the creation form for the object *X* contains a reference to the object *Y*, and the creation form for the object *Y* contains a reference

to the object  $X$ . A simpler example: the creation form for the object  $X$  contains a reference to  $X$  itself. Initialization forms are not subject to any restriction against circular dependencies, which is the entire reason for having initialization forms. See the example of circular data structures below.

The creation form for an object is always evaluated before the initialization form for that object. When either the creation form or the initialization form refers to other objects of user-defined types that have not been referenced earlier in the **compile-file**, the compiler collects all of the creation and initialization forms. Each initialization form is evaluated as soon as possible after its creation form, as determined by data flow. If the initialization form for an object does not refer to any other objects of user-defined types that have not been referenced earlier in the **compile-file**, the initialization form is evaluated immediately after the creation form. If a creation or initialization form  $F$  references other objects of user-defined types that have not been referenced earlier in the **compile-file**, the creation forms for those other objects are evaluated before  $F$  and the initialization forms for those other objects are also evaluated before  $F$  whenever they do not depend on the object created or initialized by  $F$ . Where the above rules do not uniquely determine an order of evaluation, it is unspecified which of the possible orders of evaluation is chosen.

While these creation and initialization forms are being evaluated, the objects are possibly in an uninitialized state, analogous to the state of an object between the time it has been created by **allocate-instance** and it has been processed fully by **initialize-instance**. Programmers writing methods for **make-load-form** must take care in manipulating objects not to depend on slots that have not yet been initialized.

It is unspecified whether **load** calls **eval** on the forms or does some other operation that has an equivalent effect. For example, the forms might be translated into different but equivalent forms and then evaluated; they might be compiled and the resulting functions called by **load** (after they themselves have been loaded); or they might be interpreted by a special-purpose interpreter different from **eval**. All that is required is that the effect be equivalent to evaluating the forms.

It is valid for user programs to call **make-load-form** in circumstances other than compilation, providing the argument's metaclass is not **built-in-class** or a subclass of **built-in-class**.

Applying **make-load-form** to an object whose metaclass is **standard-class** or **structure-class** for which no user-defined method is applicable

signals an error. It is valid to implement this either by defining default methods for the classes **standard-object** and **structure-object** that signal an error or by having no applicable method for those classes.

See **load-time-eval**.

In the following example, an equivalent instance of **my-class** is reconstructed by using the values of two of its slots. The value of the third slot is derived from those two values.

```
(defclass my-class () ((a :initarg :a :reader my-a)
  (b :initarg :b :reader my-b)
  (c :accessor my-c)))

(defmethod shared-initialize ((self my-class) slots &rest inits)
  (declare (ignore slots inits))
  (unless (slot-boundp self 'c)
    (setf (my-c self)
          (some-computation (my-a self) (my-b self)))))

(defmethod make-load-form ((self my-class))
  '(make-instance ,(class-name (class-of self))
                 :a ,(my-a self) :b ,(my-b self)))
```

This code will fail if either of the first two slots of some instance of **my-class** contains the instance itself. Another way to write the last form in the preceding example is

```
(defmethod make-load-form ((self my-class))
  (make-load-form-saving-slots self '(a b)))
```

This has the advantages of conciseness and handling circularities correctly.

In the next example, instances of class **my-frob** are “interned” in some way. An equivalent instance is reconstructed by using the value of the **name** slot as a key for searching for existing objects. In this case the programmer has chosen to create a new object if no existing object is found; an alternative possibility would be to signal an error in that case.

```
(defclass my-frob ()
  ((name :initarg :name :reader my-name)))

(defmethod make-load-form ((self my-frob))
  '(find-my-frob ,(my-name self) :if-does-not-exist :create))
```



In the following example, the data structure to be dumped is circular, because each node of a tree has a list of its children and each child has a reference back to its parent.

```
(defclass tree-with-parent () ((parent :accessor tree-parent)
                              (children :initarg :children)))

(defmethod make-load-form ((x tree-with-parent))
  (values
   '(make-instance ',(class-of x)
                   :children ',(slot-value x 'children))
   '(setf (tree-parent ',x) ',(slot-value x 'parent))))
```

Suppose **make-load-form** is called on one object in such a structure. The creation form creates an equivalent object and fills in the **children** slot, which forces creation of equivalent objects for all of its children, grandchildren, etc. At this point none of the parent slots have been filled in. The initialization form fills in the **parent** slot, which forces creation of an equivalent object for the parent if it was not already created. Thus the entire tree is recreated at load time. At compile time, **make-load-form** is called once for each object in the tree. All the creation forms are evaluated, in unspecified order, and then all the initialization forms are evaluated, also in unspecified order.

In this final example, the data structure to be dumped has no special properties and an equivalent structure can be reconstructed simply by reconstructing the slots' contents.

```
(defstruct my-struct a b c)
(defmethod make-load-form ((s my-struct))
  (make-load-form-saving-slots s))
```

This is easy to code using **make-load-form-saving-slots**.

*[Function]* **make-load-form-saving-slots** *object* &optional *slots*

This returns two values suitable for return from a **make-load-form** method. The first argument is the object. The optional second argument is a list of the names of slots to preserve; it defaults to all of the local slots.

**make-load-form-saving-slots** returns forms that construct an equivalent object using **make-instance** and **setf** of **slot-value** for slots with

values, or **slot-makunbound** for slots without values, or other functions of equivalent effect.

Because **make-load-form-saving-slots** returns two values, it can deal with circular structures; it works for any object of metaclass **standard-class** or **structure-class**. Whether the result is useful depends on whether the object's type and slot contents fully capture an application's idea of the object's state.

## 23.5 Accessing Directories

The following function is a very simple portable primitive for examining a directory. Most file systems can support much more powerful directory-searching primitives, but no two are alike. It is expected that most implementations of Common Lisp will extend the **directory** function or provide more powerful primitives.

Следующие функции это простые портируемые примитивы для работы с директорией. Большинство файловых систем поддерживают гораздо более мощные примитивы. Ожидается, что реализации Common Lisp'a расширят функцию **directory** или предоставят более мощные примитивы.

*[Function]* **directory** *pathname* &key

A list of pathnames is returned, one for each file in the file system that matches the given *pathname*. (The *pathname* argument may be a pathname, a string, or a stream associated with a file.) For a file that matches, the **truename** appears in the result list. If no file matches the *pathname*, it is not an error; **directory** simply returns **nil**, the list of no results. Keywords such as **:wild** and **:newest** may be used in *pathname* to indicate the search space.

Возвращается список имён-файлов, каждое для одного файла, который подходит для переданного имени-файла *pathname*.

X3J13 voted in March 1988 to specify exactly which streams may be used as pathnames. See section 23.1.6.

X3J13 voted in January 1989 to specify that **directory** is unaffected by whether the first argument, if a stream, is open or closed. If the first argument is a stream, **directory** behaves as if the function **pathname** were applied

to the stream and the resulting pathname used instead. However, X3J13 commented that the treatment of open streams may differ considerably from one implementation to another; for example, in some operating systems open files are written under a temporary or invisible name and later renamed when closed. In general, programmers writing code intended to be portable should be careful when using **directory**.

X3J13 voted in June 1989 to require **directory** to accept logical pathnames (see section 23.1.5). However, the result returned by **directory** never contains a logical pathname.

---

**Implementation note:** It is anticipated that an implementation may need to provide additional parameters to control the directory search. Therefore **directory** is specified to take additional keyword arguments so that implementations may experiment with extensions, even though no particular keywords are specified here.

As a simple example of such an extension, for a file system that supports the notion of cross-directory file links, a keyword argument **:links** might, if non-**nil**, specify that such links be included in the result list.

---

*[Function]* **ensure-directories-exist** *file &key :verbose*

If the directories of file do not exist then this function creates them returning two values, file and a second value true if the directories were created or nil if not.

Если директории не существовали, тогда данная функция создаёт их и возвращает два значения file и, если создание происходило - t, иначе - nil.



# Chapter 24

## Miscellaneous Features

In this chapter are described various things that don't seem to fit neatly anywhere else in this book: the compiler, the **documentation** function, debugging aids, environment inquiries (including facilities for calculating and measuring time), and the **identity** function.

### 24.1 The Compiler

The compiler is a program that may make code run faster by translating programs into an implementation-dependent form that can be executed more efficiently by the computer. Most of the time you can write programs without worrying about the compiler; compiling a file of code should produce an equivalent but more efficient program. When doing more esoteric things, you may need to think carefully about what happens at “compile time” and what happens at “load time.” Then the **eval-when** construct becomes particularly useful.

Most declarations are not used by the Common Lisp interpreter; they may be used to give advice to the compiler. The compiler may attempt to check your advice and warn you if it is inconsistent.

Unlike most other Lisp dialects, Common Lisp recognizes **special** declarations in interpreted code as well as compiled code.

The internal workings of a compiler will of course be highly implementation-dependent. The following functions provide a standard interface to the compiler, however.

[Function] **compile** *name* &optional *definition*

If *definition* is supplied, it should be a lambda-expression, the interpreted function to be compiled. If it is not supplied, then *name* should be a symbol with a definition that is a lambda-expression; that definition is compiled and the resulting compiled code is put back into the symbol as its function definition.

*name* may be any function-name (a symbol or a list whose car is **setf**—see section 7.1). One may write (**compile** '(**setf** **cadr**)) to compile the **setf** expansion function for **cadr**.

If the optional *definition* argument is supplied, it may be either a lambda-expression (which is coerced to a function) or a function to be compiled; if no *definition* is supplied, the **symbol-function** of the symbol is extracted and compiled. It is permissible for the symbol to have a macro definition rather than a function definition; both macros and functions may be compiled.

It is an error if the function to be compiled was defined interpretively in a non-null lexical environment. (An implementation is free to extend the behavior of **compile** to compile such functions properly, but portable programs may not depend on this capability.) The consequences of calling **compile** on a function that is already compiled are unspecified.

The definition is compiled and a compiled-function object produced. If *name* is a non-**nil** symbol, then the compiled-function object is installed as the global function definition of the symbol and the symbol is returned. If *name* is **nil**, then the compiled-function object itself is returned. For example:

```
(defun foo ...) => foo      ;A function definition
(compile 'foo) => foo      ;Compile it
                        ;Now foo runs faster (maybe)
```

```
(compile nil
 '(lambda (a b c) (- (* b b) (* 4 a c))))
=> a compiled function of three arguments that computes  $b^2 - 4ac$ 
```

X3J13 voted in June 1989 to specify that **compile** returns two additional values indicating whether the compiler issued any diagnostics (see section 24.1.1).

X3J13 voted in March 1989 to add two new keyword arguments **verbose** and **print** to **compile-file** by analogy with **load**. The new function

definition is as follows.

[Function] **compile-file** *input-pathname* &key *:output-file* *:verbose* *:print*

The *input-pathname* must be a valid file specifier, such as a path-name. The defaults for *input-filename* are taken from the variable **\*default-pathname-defaults\***. The file should be a Lisp source file; its contents are compiled and written as a binary object file.

The **:verbose** argument (which defaults to the value of **\*compile-verbose\***), if true, permits **compile-file** to print a message in the form of a comment to **\*standard-output\*** indicating what file is being compiled and other useful information.

The **:print** argument (which defaults to the value of **\*compile-print\***), if true, causes information about top-level forms in the file being compiled to be printed to **\*standard-output\***. Exactly what is printed is implementation-dependent; nevertheless something will be printed.

X3J13 voted in March 1988 to specify exactly which streams may be used as pathnames (see section 23.1.6). X3J13 voted in June 1989 to clarify that supplying a wild pathname as the *input-pathname* argument to **compile-file** has implementation-dependent consequences; **compile-file** might signal an error, for example, or might compile all files that match the wild pathname.

X3J13 voted in June 1989 to require **compile-file** to accept logical pathnames (see section 23.1.5).

The **:output-file** argument may be used to specify an output pathname; it defaults in a manner appropriate to the implementation's file system conventions.

X3J13 voted in June 1989 to specify that **compile-file** returns three values: the **true-name** of the output file (or **nil** if the file could not be created) and two values indicating whether the compiler issued any diagnostics (see section 24.1.1).

X3J13 voted in October 1988 to specify that **compile-file**, like **load**, rebinds **\*package\*** to its current value. If some form in the file changes the value of **\*package\***, the old value will be restored when compilation is completed.

X3J13 voted in June 1989 to specify restrictions on conforming programs to ensure consistent handling of symbols and packages.

In order to guarantee that compiled files can be loaded correctly, the user must ensure that the packages referenced in the file are defined consistently

at compile and load time. Conforming Common Lisp programs must satisfy the following requirements.

- The value of **\*package\*** when a top-level form in the file is processed by **compile-file** must be the same as the value of **\*package\*** when the code corresponding to that top-level form in the compiled file is executed by the loader. In particular, any top-level form in a file that alters the value of **\*package\*** must change it to a package of the same name at both compile and load time; moreover, if the first non-atomic top-level form in the file is not a call to **in-package**, then the value of **\*package\*** at the time **load** is called must be a package with the same name as the package that was the value of **\*package\*** at the time **compile-file** was called.
- For every symbol appearing lexically within a top-level form that was accessible in the package that was the value of **\*package\*** during processing of that top-level form at compile time, but whose home package was another package, at load time there must be a symbol with the same name that is accessible in both the load-time **\*package\*** and in the package with the same name as the compile-time home package.
- For every symbol in the compiled file that was an external symbol in its home package at compile time, there must be a symbol with the same name that is an external symbol in the package with the same name at load time.

If any of these conditions do not hold, the package in which **load** looks for the affected symbols is unspecified. Implementations are permitted to signal an error or otherwise define this behavior.

These requirements are merely an explicit statement of the status quo, namely that users cannot depend on any particular behavior if the package environment at load time is inconsistent with what existed at compile time.

X3J13 voted in March 1989 to specify that **compile-file** must bind **\*readtable\*** to its current value at the time **compile-file** is called; the dynamic extent of the binding should encompass all of the file-loading activity. This allows a portable program to include forms such as

```
(in-package "FOO")
```

```
(eval-when (:execute :load-toplevel :compile-toplevel)
  (setq *readtable* foo:my-readtable))
```



without performing a net global side effect on the loading environment. Such statements allow the remainder of such a file to be read either as interpreted code or by **compile-file** in a syntax determined by an alternative readtable.

X3J13 voted in June 1989 to require that **compile-file** bind two new variables **\*compile-file-pathname\*** and **\*compile-file-truename\***; the dynamic extent of the bindings should encompass all of the file-compiling activity.

*[Variable]* **\*compile-verbose\***

This variable provides the default for the **:verbose** argument to **compile-file**. Its initial value is implementation-dependent.

*[Variable]* **\*compile-print\***

This variable provides the default for the **:print** argument to **compile-file**. Its initial value is implementation-dependent.

*[Variable]* **\*compile-file-pathname\***

X3J13 voted in June 1989 to introduce **\*compile-file-pathname\***; it is initially **nil** but **compile-file** binds it to a pathname that represents the file name given as the first argument to **compile-file** merged with the defaults (see **merge-pathname**).

*[Variable]* **\*compile-file-truename\***

Variable is initially **nil** but **compile-file** binds it to the “true name” of the pathname of the file being compiled. See **truename**.

*[Special operator]* **load-time-value** form [read-only-p]

This is a mechanism for delaying evaluation of a *form* until it can be done in the run-time environment.

If a **load-time-value** expression is seen by **compile-file**, the compiler performs its normal semantic processing (such as macro expansion and translation into machine code) on the form, but arranges for the execution of the *form* to occur at load time in a null lexical environment, with the result of this evaluation then being treated as an immediate quantity (that is, as if originally quoted) at run time. It is guaranteed that the evaluation of

the *form* will take place only once when the file is loaded, but the order of evaluation with respect to the execution of top-level forms in the file is unspecified.

If a **load-time-value** expression appears within a function compiled with **compile**, the *form* is evaluated at compile time in a null lexical environment. The result of this compile-time evaluation is treated as an immediate quantity in the compiled code.

In interpreted code, *form* is evaluated (by **eval**) in a null lexical environment and one value is returned. Implementations that implicitly compile (or partially compile) expressions passed to **eval** may evaluate the *form* only once, at the time this compilation is performed. This is intentionally similar to the freedom that implementations are given for the time of expanding macros in interpreted code.

If the same (as determined by **eq**) list (**load-time-value** *form*) is evaluated or compiled more than once, it is unspecified whether the *form* is evaluated only once or is evaluated more than once. This can happen both when an expression being evaluated or compiled shares substructure and when the same expression is passed to **eval** or to **compile** multiple times. Since a **load-time-value** expression may be referenced in more than one place and may be evaluated multiple times by the interpreter, it is unspecified whether each execution returns a “fresh” object or returns the same object as some other execution. Users must use caution when destructively modifying the resulting object.

If two lists (**load-time-value** *form*) are **equal** but not **eq**, their values always come from distinct evaluations of *form*. Coalescing of these forms is not permitted.

The optional *read-only-p* argument designates whether the result may be considered a read-only constant. If **nil** (the default), the result must be considered ordinary, modifiable data. If **t**, the result is a read-only quantity that may, as appropriate, be copied into read-only space and may, as appropriate, be shared with other programs. The *read-only-p* argument is not evaluated and only the literal symbols **t** and **nil** are permitted.

This new feature addresses the same set of needs as the now-defunct **#**, reader syntax but in a cleaner and more general manner. Note that **#**, syntax was reliably useful only inside quoted structure (though this was not explicitly mentioned in the first edition), whereas a **load-time-value** form must appear outside quoted structure in a for-evaluation position.

See **make-load-form**.

*[Function]* **disassemble** *name-or-compiled-function*

The argument should be a function object, a lambda-expression, or a symbol with a function definition. If the relevant function is not a compiled function, it is first compiled. In any case, the compiled code is then “reverse-assembled” and printed out in a symbolic format. This is primarily useful for debugging the compiler, but also often of use to the novice who wishes to understand the workings of compiled code.

---

**Implementation note:** Implementors are encouraged to make the output readable, preferably with helpful comments.

---

When **disassemble** compiles a function, it never installs the resulting compiled-function object in the **symbol-function** of a symbol.

*name* may be any function-name (a symbol or a list whose car is **setf**—see section 7.1). Thus one may write (**disassemble** '(**setf** **cadr**)) to disassemble the **setf** expansion function for **cadr**.

*[Function]* **function-lambda-expression** *fn*

This function allows the source code for a defined function to be recovered. (The committee noted that the first edition provided no portable way to recover a lambda-expression once it had been compiled or evaluated to produce a function.)

This function takes one argument, which must be a function, and returns three values.

The first value is the defining lambda-expression for the function, or **nil** if that information is not available. The lambda-expression may have been preprocessed in some ways but should nevertheless be of a form suitable as an argument to the function **compile** or for use in the **function** special operator.

The second value is **nil** if the function was definitely produced by closing a lambda-expression in the null lexical environment; it is some non-**nil** value if the function might have been closed in some non-null lexical environment.

The third value is the “name” of the function; this is **nil** if the name is not available or if the function had no name. The name is intended for debugging purposes only and may be any Lisp object (not necessarily one that would be valid for use as a name in a **defun** or **function** special operator, for example).

---

**Implementation note:** An implementation is always free to return the values **nil**, **t**, **nil** from this function but is encouraged to make more useful information available as appropriate. For example, it may not be desirable for files of compiled code to retain the source lambda-expressions for use after the file is loaded, but it is probably desirable for functions produced by “in-core” calls to **eval**, **compile**, or **defun** to retain the defining lambda-expression for debugging purposes. The function **function-lambda-expression** makes this information, if retained, accessible in a standard and portable manner.

---

*[Macro]* **with-compilation-unit** ({option-name option-value}\*) {form}\*

**with-compilation-unit** executes the body forms as an implicit **progn**. Within the dynamic context of this form, warnings deferred by the compiler until “the end of compilation” will be deferred until the end of the outermost call to **with-compilation-unit**. The results are the same as those of the last of the forms (or **nil** if there is no *form*).

Each *option-name* is an unevaluated keyword; each *option-value* is evaluated. The set of keywords permitted may be extended by the implementation, but the only standard option keyword is **:override**; the default value for this option is **nil**. If **with-compilation-unit** forms are nested dynamically, only the outermost such call has any effect unless the **:override** value of an inner call is true.

The function **compile-file** should provide the effect of

(with-compilation-unit (:override nil) ...)

around its code.

Any implementation-dependent extensions to this behavior may be provided only as the result of an explicit programmer request by use of an implementation-dependent keyword. It is forbidden for an implementation to attach additional meaning to a conforming use of this macro.

Note that not all compiler warnings are deferred. In some implementations, it may be that none are deferred. This macro only creates an interface to the capability where it exists, it does not require the creation of the capability. An implementation that does not defer any compiler warnings may correctly implement this macro as an expansion into a simple **progn**.

### 24.1.1 Compiler Diagnostics

**compile** and **compile-file** may output warning messages; any such messages should go to the stream that is the value of **\*error-output\***.

First, note that **error** and **warning** conditions may be signaled either by the compiler itself or by code being processed by the compiler (for example, arbitrary errors may occur during compile-time macro expansion or processing of **eval-when** forms). Considering only those conditions signaled *by the compiler* (as opposed to *during compilation*):

- Conditions of type **error** may be signaled by the compiler in situations where the compilation cannot proceed without intervention. Examples of such situations may include errors when opening a file or syntax errors.
- Conditions of type **warning** may be signaled by the compiler in situations where the standard explicitly states that a warning must, should, or may be signaled. They may also be signaled when the compiler can determine that a situation would result at runtime that would have undefined consequences or would cause an error to be signaled. Examples of such situations may include violations of type declarations, altering or rebinding a constant defined with **defconstant**, calls to built-in Lisp functions with too few or too many arguments or with malformed keyword argument lists, referring to a variable declared **ignore**, or unrecognized declaration specifiers.
- The compiler is permitted to signal diagnostics about matters of programming style as conditions of type **style-warning**, a subtype of **warning**. Although a **style-warning** condition *may* be signaled in these situations, no implementation is *required* to do so. However, if an implementation does choose to signal a condition, that condition will be of type **style-warning** and will be signaled by a call to the function **warn**. Examples of such situations may include redefinition of a function with an incompatible argument list, calls to functions (other than built-in functions) with too few or too many arguments or with malformed keyword argument lists, unreferenced local variables not declared **ignore**, or standard declaration specifiers that are ignored by the particular compiler in question.

Both **compile** and **compile-file** are permitted (but not required) to establish a handler for conditions of type **error**. Such a handler might, for example, issue a warning and restart compilation from some implementation-dependent point in order to let the compilation proceed without manual intervention.

The functions **compile** and **compile-file** each return three values. See the definitions of these functions for descriptions of the first value. The second value is **nil** if no compiler diagnostics were issued, and true otherwise. The third value is **nil** if no compiler diagnostics other than style warnings were issued; a non-**nil** value indicates that there were “serious” compiler diagnostics issued or that other conditions of type **error** or **warning** (but not **style-warning**) were signaled during compilation.

### 24.1.2 Compiled Functions

Certain requirements are imposed on the functions produced by the compilation process.

If a function is of type **compiled-function**, then all macro calls appearing lexically within the function have already been expanded and will not be expanded again when the function is called. The process of compilation effectively turns every **macrolet** or **symbol-macrolet** construct into a **progn** (or a **locally**) with all instances of the local macros in the body fully expanded.

If a function is of type **compiled-function**, then all **load-time-value** forms appearing lexically within the function have already been pre-evaluated and will not be evaluated again when the function is called.

Implementations are free to classify every function as a **compiled-function** provided that all functions satisfy the preceding requirements. Conversely, it is permissible for a function that is not a **compiled-function** to satisfy the preceding requirements.

If one or more functions are defined in a file that is compiled with **compile-file** and the compiled file is subsequently loaded by the function **load**, the resulting loaded function definitions must be of type **compiled-function**.

The function **compile** must produce an object of type **compiled-function** as the value that is either returned or stored into the **symbol-function** of a symbol argument.

Note that none of these restrictions addresses questions of the compilation technology or target instruction set. For example, a compiled function does not necessarily consist of native machine instructions. These requirements merely specify the behavior of the type system with respect to certain actions taken by **compile**, **compile-file**, and **load**.

### 24.1.3 Compilation Environment

Following information must be available at compile time for correct compilation and what need not be available until run time.

The following information must be present in the compile-time environment for a program to be compiled correctly. This information need not also be present in the run-time environment.

- In conforming code, macros referenced in the code being compiled must have been previously defined in the compile-time environment. The compiler must treat as a function call any form that is a list whose *car* is a symbol that does not name a macro or special operator. (This implies that **setf** methods must also be available at compile time.)
- In conforming code, proclamations for **special** variables must be made in the compile-time environment before any bindings of those variables are processed by the compiler. The compiler must treat any binding of an undeclared variable as a lexical binding.

The compiler may incorporate the following kinds of information into the code it produces, if the information is present in the compile-time environment and is referenced within the code being compiled; however, the compiler is not required to do so. When compile-time and run-time definitions differ, it is unspecified which will prevail within the compiled code (unless some other behavior is explicitly specified below). It is also permissible for an implementation to signal an error at run time on detecting such a discrepancy. In all cases, the absence of the information at compile time is not an error, but its presence may enable the compiler to generate more efficient code.

- The compiler may assume that functions that are defined and declared **inline** in the compile-time environment will retain the same definitions at run time.

- The compiler may assume that, within a named function, a recursive call to a function of the same name refers to the same function, unless that function has been declared **notinline**. (This permits tail-recursive calls of a function to itself to be compiled as jumps, for example, thereby turning certain recursive schemas into efficient loops.)
- In the absence of **notinline** declarations to the contrary, **compile-file** may assume that a call within the file being compiled to a named function that is defined in that file refers to that function. (This rule permits *block compilation* of files.) The behavior of the program is unspecified if functions are redefined individually at run time.
- The compiler may assume that the signature (or “interface contract”) of all built-in Common Lisp functions will not change. In addition, the compiler may treat all built-in Common Lisp functions as if they had been proclaimed **inline**.
- The compiler may assume that the signature (or “interface contract”) of functions with **ftype** information available will not change.
- The compiler may “wire in” (that is, open-code or inline) the values of symbolic constants that have been defined with **defconstant** in the compile-time environment.
- The compiler may assume that any type definition made with **defstruct** or **deftype** in the compile-time environment will retain the same definition in the run-time environment. It may also assume that a class defined by **defclass** in the compile-time environment will be defined in the run-time environment in such a way as to have the same superclasses and metaclass. This implies that subtype/supertype relationships of type specifiers will not change between compile time and run time. (Note that it is not an error for an unknown type to appear in a declaration at compile time, although it is reasonable for the compiler to emit a warning in such a case.)
- The compiler may assume that if type declarations are present in the compile-time environment, the corresponding variables and functions present in the run-time environment will actually be of those types. If this assumption is violated, the run-time behavior of the program is undefined.



The compiler must not make any additional assumptions about consistency between the compile-time and run-time environments. In particular, the compiler may not assume that functions that are defined in the compile-time environment will retain either the same definition or the same signature at run time, except as described above. Similarly, the compiler may not signal an error if it sees a call to a function that is not defined at compile time, since that function may be provided at run time.

X3J13 voted in January 1989 to specify the compile-time side effects of processing various macro forms.

Calls to defining macros such as **defmacro** or **defvar** appearing within a file being processed by **compile-file** normally have compile-time side effects that affect how subsequent forms in the same file are compiled. A convenient model for explaining how these side effects happen is that each defining macro expands into one or more **eval-when** forms and that compile-time side effects are caused by calls occurring in the body of an (**eval-when (:compile-toplevel) ...**) form.

The affected defining macros and their specific side effects are as follows. In each case, it is identified what a user must do to ensure that a program is conforming, and what a compiler must do in order to correctly process a conforming program.

**deftype** The user must ensure that the body of a **deftype** form is evaluable at compile time if the type is referenced in subsequent type declarations. The compiler must ensure that a type specifier defined by **deftype** is recognized in subsequent type declarations. If the expansion of a type specifier is not defined fully at compile time (perhaps because it expands into an unknown type specifier or a **satisfies** of a named function that isn't defined in the compile-time environment), an implementation may ignore any references to this type in declarations and may signal a warning.

**defmacro and define-modify-macro** The compiler must store macro definitions at compile time, so that occurrences of the macro later on in the file can be expanded correctly. The user must ensure that the body of the macro is evaluable at compile time if it is referenced within the file being compiled.

**defun** No required compile-time side effects are associated with **defun** forms. In particular, **defun** does not make the function definition

available at compile time. An implementation may choose to store information about the function for the purposes of compile-time error checking (such as checking the number of arguments on calls) or to permit later **inline** expansion of the function.

**defvar and defparameter** The compiler must recognize that the variables named by these forms have been proclaimed **special**. However, it must not evaluate the *initial-value* form or **set** the variable at compile time.

**defconstant** The compiler must recognize that the symbol names a constant. An implementation may choose to evaluate the *value-form* at compile time, load time, or both. Therefore the user must ensure that the *value-form* is evaluable at compile time (regardless of whether or not references to the constant appear in the file) and that it always evaluates to the same value. (There has been considerable variance among implementations on this point. The effect of this specification is to legitimize all of the implementation variants by requiring care of the user.)

**defsetf and define-setf-method** The compiler must make **setf** methods available so that they may be used to expand calls to **setf** later on in the file. Users must ensure that the body of a call to **define-setf-method** or the complex form of **defsetf** is evaluable at compile time if the corresponding place is referred to in a subsequent **setf** in the same file. The compiler must make these **setf** methods available to compile-time calls to **get-setf-method** when its environment argument is a value received as the **&environment** parameter of a macro.

**defstruct** The compiler must make the structure type name recognized as a valid type name in subsequent declarations (as described above for **deftype**) and make the structure slot accessors known to **setf**. In addition, the compiler must save enough information so that further **defstruct** definitions can include (with the **:include** option) a structure type defined earlier in the file being compiled. The functions that **defstruct** generates are not defined in the compile-time environment, although the compiler may save enough information about the functions to allow **inline** expansion of subsequent calls to these functions. The **#S** reader syntax may or may not be available for that structure type at compile time.

**define-condition** The rules are essentially the same as those for **defstruct**. The compiler must make the condition type recognizable as a valid type name, and it must be possible to reference the condition type as the *parent-type* of another condition type in a subsequent **define-condition** form in the file being compiled.

**defpackage** All of the actions normally performed by the **defpackage** macro at load time must also be performed at compile time.

Compile-time side effects may cause information about a definition to be stored in a different manner from information about definitions processed either interpretively or by loading a compiled file. In particular, the information stored by a defining macro at compile time may or may not be available to the interpreter (either during or after compilation) or during subsequent calls to **compile** or **compile-file**. For example, the following code is not portable because it assumes that the compiler stores the macro definition of **foo** where it is available to the interpreter.

```
(defmacro foo (x) '(car ,x))

(eval-when (:execute :compile-toplevel :load-toplevel)
  (print (foo '(a b c)))) ;Wrong
```

The goal may be accomplished portably by including the macro definition within the **eval-when** form:

```
(eval-when (eval compile load)
  (defmacro foo (x) '(car ,x))
  (print (foo '(a b c)))) ;Right
```

**declaim** X3J13 voted in June 1989 to add a new macro **declaim** for making proclamations recognizable at compile time. The declaration specifiers in the **declaim** form are effectively proclaimed at compile time so as to affect compilation of subsequent forms. (Note that compiler processing of a call to **proclaim** does not have any compile-time side effects, for **proclaim** is a function.)

**in-package** X3J13 voted in March 1989 to specify that all of the actions normally performed by the **in-package** macro at load time must also be performed at compile time.

X3J13 voted in June 1989 to specify the compile-time side effects of processing various CLOS-related macro forms. Top-level calls to the CLOS defining macros have the following compile-time side effects; any other compile-time behavior is explicitly left unspecified.

**defclass** The class name may appear in subsequent type declarations and can be used as a specializer in subsequent **defmethod** forms. Thus the compile-time behavior of **defclass** is similar to that of **deftype** or **defstruct**.

**defgeneric** The generic function can be referenced in subsequent **defmethod** forms, but the compiler does not arrange for the generic function to be callable at compile time.

**defmethod** The compiler does not arrange for the method to be callable at compile time. If there is a generic function with the same name defined at compile time, compiling a **defmethod** form does not add the method to that generic function; the method is added to the generic function only when the **defmethod** form is actually executed.

The error-signaling behavior described in the specification of **defmethod** in chapter 28 (if the function isn't a generic function or if the lambda-list is not congruent) occurs only when the defining form is executed, not at compile time.

The forms in **eql** parameter specializers are evaluated when the **defmethod** form is executed. The compiler is permitted to build in knowledge about what the form in an **eql** specializer will evaluate to in cases where the ultimate result can be syntactically inferred without actually evaluating it.

**define-method-combination** The method combination can be used in subsequent **defgeneric** forms.

The body of a **define-method-combination** form is evaluated no earlier than when the defining macro is executed and possibly as late as generic function invocation time. The compiler may attempt to evaluate these forms at compile time but must not depend on being able to do so.

### 24.1.4 Similarity of Constants

Following paragraphs specifies what objects can be in compiled constants and what relationship there must be between a constant passed to the compiler and the one that is established by compiling it and then loading its file.

The key is a definition of an equivalence relationship called “similarity as constants” between Lisp objects. Code passed through the file compiler and then loaded must behave as though quoted constants in it are similar in this sense to quoted constants in the corresponding source code. An object may be used as a quoted constant processed by **compile-file** if and only if the compiler can guarantee that the resulting constant established by loading the compiled file is “similar as a constant” to the original. Specific requirements are spelled out below.

Some types of objects, such as streams, are not supported in constants processed by the file compiler. Such objects may not portably appear as constants in code processed with **compile-file**. Conforming implementations are required to handle such objects either by having the compiler or loader reconstruct an equivalent copy of the object in some implementation-specific manner or by having the compiler signal an error.

Of the types supported in constants, some are treated as aggregate objects. For these types, being similar as constants is defined recursively. We say that an object of such a type has certain “basic attributes”; to be similar as a constant to another object, the values of the corresponding attributes of the two objects must also be similar as constants.

A definition of this recursive form has problems with any circular or infinitely recursive object such as a list that is an element of itself. We use the idea of depth-limited comparison and say that two objects are similar as constants if they are similar at all finite levels. This idea is implicit in the definitions below, and it applies in all the places where attributes of two objects are required to be similar as constants. The question of handling circular constants is the subject of a separate vote by X3J13 (see below).

The following terms are used throughout this section. The term *constant* refers to a quoted or self-evaluating constant, not a named constant defined by **defconstant**. The term *source code* is used to refer to the objects constructed when **compile-file** calls **read** (or the equivalent) and to additional objects constructed by macro expansion during file compilation. The term *compiled code* is used to refer to objects constructed by **load**.

Two objects are *similar as a constant* if and only if they are both of one

of the types listed below and satisfy the additional requirements listed for that type.

**number** Two numbers are similar as constants if they are of the same type and represent the same mathematical value.

**character** Two characters are similar as constants if they both represent the same character. (The intent is that this be compatible with how **eq1** is defined on characters.)

**symbol** X3J13 voted in June 1989 to define similarity as a constant for interned symbols. A symbol  $S$  appearing in the source code is similar as a constant to a symbol  $S'$  in the compiled code if their print names are similar as constants and either of the following conditions holds:

- $S$  is accessible in **\*package\*** at compile time and  $S'$  is accessible in **\*package\*** at load time.
- $S'$  is accessible in the package that is similar as a constant to the home package of symbol  $S$ .

The “similar as constants” relationship for interned symbols has nothing to do with **\*readtable\*** or how the function **read** would parse the characters in the print name of the symbol.

An uninterned symbol in the source code is similar as a constant to an uninterned symbol in the compiled code if their print names are similar as constants.

**package** A package in the source code is similar as a constant to a package in the compiled code if their names are similar as constants. Note that the loader finds the corresponding package object as if by calling **find-package** with the package name as an argument. An error is signaled if no package of that name exists at load time.

**random-state** We say that two **random-state** objects are *functionally equivalent* if applying **random** to them repeatedly always produces the same pseudo-random numbers in the same order.

Two random-states are similar as constants if and only if copies of them made via **make-random-state** are functionally equivalent. (Note that a constant **random-state** object cannot be used as the *state* argument

to the function **random** because **random** performs a side effect on that argument.)

**cons** Two conses are similar as constants if the values of their respective *car* and *cdr* attributes are similar as constants.

**array** Two arrays are similar as constants if the corresponding values of each of the following attributes are similar as constants: for vectors (one-dimensional arrays), the **length** and **element-type** and the result of **elt** for all valid indices; for all other arrays, the **array-rank**, the result of **array-dimension** for all valid axis numbers, the **array-element-type**, and the result of **aref** for all valid indices. (The point of distinguishing vectors is to take any fill pointers into account.)

If the array in the source code is a **simple-array**, then the corresponding array in the compiled code must also be a **simple-array**, but if the array in the source code is displaced, has a fill pointer, or is adjustable, the corresponding array in the compiled code is permitted to lack any or all of these qualities.

**hash-table** Two hash tables are similar as constants if they meet three requirements. First, they must have the same test (for example, both are **eql** hash tables or both are **equal** hash tables). Second, there must be a unique bijective correspondence between the keys of the two tables, such that the corresponding keys are similar as constants. Third, for all keys, the values associated with two corresponding keys must be similar as constants.

If there is more than one possible one-to-one correspondence between the keys of the two tables, it is unspecified whether the two tables are similar as constants. A conforming program cannot use such a table as a constant.

**pathname** Two pathnames are similar as constants if all corresponding pathname components are similar as constants.

**stream, readtable, and method** Objects of these types are not supported in compiled constants.

**function** X3J13 voted in June 1989 to specify that objects of type **function** are not supported in compiled constants.

**structure and standard-object** X3J13 voted in March 1989 to introduce a facility based on the Common Lisp Object System whereby a user can specify how **compile-file** and **load** must cooperate to reconstruct compile-time constant objects at load time (see **make-load-form**).

X3J13 voted in March 1989 to specify the circumstances under which constants may be coalesced in compiled code.

Suppose  $A$  and  $B$  are two objects used as quoted constants in the source code, and that  $A'$  and  $B'$  are the corresponding objects in the compiled code. If  $A'$  and  $B'$  are **eql** but  $A$  and  $B$  were not **eql**, then we say that  $A$  and  $B$  have been *coalesced* by the compiler.

An implementation is permitted to coalesce constants appearing in code to be compiled if and only if they are similar as constants, except that objects of type **symbol**, **package**, **structure**, or **standard-object** obey their own rules and may not be coalesced by a separate mechanism.

---

**Rationale:** Objects of type **symbol** and **package** cannot be coalesced because the fact that they are named, interned objects means they are already as coalesced as it is useful for them to be. Uninterned symbols could perhaps be coalesced, but that was thought to be more dangerous than useful. Structures and objects could be coalesced if a “similar as a constant” predicate were defined for them; it would be a generic function. However, at present there is no such predicate. Currently **make-load-form** provides a protocol by which **compile-file** and **load** work together to construct an object in the compiled code that is equivalent to the object in the source code; a different mechanism would have to be added to permit coalescing.

---

Note that coalescing is possible only because it is forbidden to destructively modify constants (see **quote**).

Objects containing circular or infinitely recursive references may legitimately appear as constants to be compiled. The compiler is required to preserve **eql**-ness of substructures within a file compiled by **compile-file**.

## 24.2 Debugging Tools

The utilities described in this section are sufficiently complex and sufficiently dependent on the host environment that their complete definition is beyond the scope of this book. However, they are also sufficiently useful to warrant



mention here. It is expected that every implementation will provide some version of these utilities, however clever or however simple.

Коммунальные услуги, описанные в этом разделе достаточно сложны и достаточно зависят от внешней среды, что их полное описание выходит за рамки этой книги. Тем не менее, они также достаточно полезно, чтобы оправдать упомянуть здесь. Ожидается, что каждая реализация предоставит некоторые версии этих программ, однако умный или же просто.

Описанные в этом разделе утилиты достаточно сложны и зависят от внешней среды ОС, что их полное описание выходит за рамки книги. Тем не менее их описание будет полезным. Предполагается, что каждая реализация будет представлять некоторую версию этих утилит.

*[Macro]* **trace** { function-name }\*

*[Macro]* **untrace** { function-name }\*

Invoking **trace** with one or more function-names (symbols or lists, whose *car* is **setf**—see section 7.1), causes the functions named to be traced. Henceforth, whenever such a function is invoked, information about the call, the arguments passed, and the eventually returned values, if any, will be printed to the stream that is the value of **\*trace-output\***. For example:

```
(trace fft gcd string-upcase)
```

If a function call is open-coded (possibly as a result of an **inline** declaration), then such a call may not produce trace output.

Invoking **untrace** with one or more function names will cause those functions not to be traced any more.

Tracing an already traced function, or untracing a function not currently being traced, should produce no harmful effects but may produce a warning message.

Calling **trace** with no argument forms will return a list of functions currently being traced.

Calling **untrace** with no argument forms will cause all currently traced functions to be no longer traced.

The values returned by **trace** and **untrace** when given argument forms are implementation-dependent.

**trace** and **untrace** may also accept additional implementation-dependent argument formats. The format of the trace output is

implementation-dependent.

*[Macro]* **step** *form*

This evaluates *form* and returns what *form* returns. However, the user is allowed to interactively “single-step” through the evaluation of *form*, at least through those evaluation steps that are performed interpretively. The nature of the interaction is implementation-dependent. However, implementations are encouraged to respond to the typing of the character `?` by providing help, including a list of commands.

**step** evaluates its argument *form* in the current lexical environment (not simply a null environment), and that calls to **step** may be compiled, in which case an implementation may step through only those parts of the evaluation that are interpreted. (In other words, the *form* itself is unlikely to be stepped, but if executing it happens to invoke interpreted code, then that code may be stepped.)

*[Macro]* **time** *form*

This evaluates *form* and returns what *form* returns. However, as a side effect, various timing data and other information are printed to the stream that is the value of `*trace-output*`. The nature and format of the printed information is implementation-dependent. However, implementations are encouraged to provide such information as elapsed real time, machine run time, storage management statistics, and so on.

**time** evaluates its argument *form* in the current lexical environment (not simply a null environment), and that calls to **time** may be compiled.

*[Function]* **describe** *object* &optional *stream*

**describe** prints, to the stream information about the *object*. Sometimes it will describe something that it finds inside something else; such recursive descriptions are indented appropriately. For instance, **describe** of a symbol will exhibit the symbol’s value, its definition, and each of its properties. **describe** of a floating-point number will exhibit its internal representation in a way that is useful for tracking down round-off errors and the like. The nature and format of the output is implementation-dependent.

**describe** returns no values (that is, it returns what the expression (**values**) returns: zero values).

The output is sent to the specified *stream*, which defaults to the value of `*standard-output*`; the *stream* may also be `nil` (meaning `*standard-output*`) or `t` (meaning `*terminal-io*`).

The behavior of **describe** depends on the generic function **describe-object** (see below).

That **describe** is forbidden to prompt for or require user input when given exactly one argument; It is permitted implementations to extend **describe** to accept keyword arguments that may cause it to prompt for or to require user input.

[Generic function] **describe-object** *object stream*

[Primary method] **describe-object** (*object standard-object*) *stream*

The generic function **describe-object** writes a description of an object to a stream. The function **describe-object** is called by the **describe** function; it should not be called by the user.

Each implementation must provide a method on the class **standard-object** and methods on enough other classes to ensure that there is always an applicable method. Implementations are free to add methods for other classes. Users can write methods for **describe-object** for their own classes if they do not wish to inherit an implementation-supplied method.

The first argument may be any Lisp object. The second argument is a stream; it cannot be **t** or **nil**. The values returned by **describe-object** are unspecified.

Methods on **describe-object** may recursively call **describe**. Indentation, depth limits, and circularity detection are all taken care of automatically, provided that each method handles exactly one level of structure and calls **describe** recursively if there are more structural levels. If this rule is not obeyed, the results are undefined.

In some implementations the *stream* argument passed to a **describe-object** method is not the original stream but is an intermediate stream that implements parts of **describe**. Methods should therefore not depend on the identity of this stream.

---

**Rationale:** This proposal was closely modeled on the CLOS description of **print-object**, which was well thought out and provides a great deal of functionality and implementation freedom. Implementation techniques for **print-object** are applicable to **describe-object**.

The reason for making the return values for **describe-object** unspecified is to avoid forcing users to write (**values**) explicitly in all their methods; **describe** should take care of that.

---

[Function] **inspect** *object*

**inspect** is an interactive version of **describe**. The nature of the interaction is implementation-dependent, but the purpose of **inspect** is to make it easy to wander through a data structure, examining and modifying parts of it. Implementations are encouraged to respond to the typing of the character **?** by providing help, including a list of commands.

The values returned by **inspect** are implementation-dependent.

[Function] **room** &optional *x*

**room** prints, to the stream in the variable **\*standard-output\***, information about the state of internal storage and its management. This might include descriptions of the amount of memory in use and the degree of memory compaction, possibly broken down by internal data type if that is appropriate. The nature and format of the printed information is implementation-dependent. The intent is to provide information that may help a user to tune a program to a particular implementation.

**(room nil)** prints out a minimal amount of information. **(room t)** prints out a maximal amount of information. Simply **(room)** prints out an intermediate amount of information that is likely to be useful.

The argument *x* may also be the keyword **:default**, which has the same effect as passing no argument at all.

[Function] **ed** &optional *x*

If the implementation provides a resident editor, this function should invoke it.

**(ed)** or **(ed nil)** simply enters the editor, leaving you in the same state as the last time you were in the editor.

**(ed pathname)** edits the contents of the file specified by *pathname*. The *pathname* may be an actual pathname or a string.

**ed** accepts logical pathnames (see section 23.1.5).

**(ed symbol)** tries to let you edit the text for the function named *symbol*. The means by which the function text is obtained is implementation-dependent; it might involve searching the file system, or pretty printing resident interpreted code, for example.

Function name may be any function-name (a symbol or a list whose *car* is **setf**—see section 7.1). Thus one may write **(ed '(setf cadr))** to edit the **setf** expansion function for **cadr**.

[Function] **dribble** &optional *pathname*

(**dribble** *pathname*) may rebind **\*standard-input\*** and **\*standard-output\***, and may take other appropriate action, so as to send a record of the input/output interaction to a file named by *pathname*. The primary purpose of this is to create a readable record of an interactive session.

(**dribble**) terminates the recording of input and output and closes the dribble file.

**dribble** also accepts logical pathnames (see section 23.1.5).

**dribble** is intended primarily for interactive debugging and that its effect cannot be relied upon for use in portable programs.

Different implementations of Common Lisp have used radically different techniques for implementing **dribble**. All are reasonable interpretations of the original specification, and all behave in approximately the same way if **dribble** is called only from the interactive top level. However, they may have quite different behaviors if **dribble** is called from within compound forms.

Consider two models of the operation of **dribble**. In the “redirecting” model, a call to **dribble** with a *pathname* argument alters certain global variables such as **\*standard-output\***, perhaps by constructing a broadcast stream directed to both the original value of **\*standard-output\*** and to the dribble file; other streams may be affected as well. A call to **dribble** with no arguments undoes these side effects.

In the “recursive” model, by contrast, a call to **dribble** with a *pathname* argument creates a new interactive command loop and calls it recursively. This new command loop is just like an ordinary read-eval-print loop except that it also echoes the interaction to the dribble file. A call to **dribble** with no arguments does a **throw** that exits the recursive command loop and returns to the original caller of **dribble** with an argument.

The two models may be distinguished by this test case:

```
(progn (dribble "basketball")
      (print "Larry")
      (dribble)
      (princ "Bird"))
```

If this form is input to the Lisp top level, in either model a newline (provided by the function **print**) and the words **Larry Bird** will be printed to the standard output. The redirecting dribble model will additionally print all but the word **Bird** to a file named **basketball**.

By contrast, the recursive dribble model will enter a recursive command loop and not print anything until (**dribble**) is executed from within the new interactive command loop. At that time the file named **basketball** will be closed, and then execution of the **progn** form will be resumed. A newline and “**Larry** ” (note the trailing space) will be printed to the standard output, and then the call (**dribble**) may complain that there is no active dribble file. Once this error is resolved, the word **Bird** may be printed to the standard output.

Here is a slightly different test case:

```
(dribble "baby-food")

(progn (print "Mashed banana")
      (dribble)
      (princ "and cream of rice"))
```

If this form is input to the Lisp top level, in the redirecting model a newline and the words **Mashed banana and cream of rice** will be printed to the standard output and all but the words **and cream of rice** will be sent to a file named **baby-food**.

The recursive model will direct exactly the same output to the file named **baby-food** but will never print the words **and cream of rice** to the standard output because the call (**dribble**) does not return normally; it throws.

The redirecting model may be intuitively more appealing to some. The recursive model, however, may be more robust; it carefully limits the extent of the dribble operation and disables dribbling if a throw of any kind occurs. The vote by X3J13 was an explicit decision not to decide which model to use. Users are advised to call **dribble** only interactively, at top level.

*[Function]* **apropos** *string* &optional *package*

*[Function]* **apropos-list** *string* &optional *package*

(**apropos** *string*) tries to find all available symbols whose print names contain *string* as a substring. (A symbol may be supplied for the *string*, in which case the print name of the symbol is used.) Whenever **apropos** finds a symbol, it prints out the symbol’s name; in addition, information about the function definition and dynamic value of the symbol, if any, is printed. If *package* is specified and not **nil**, then only symbols available in that package are examined; otherwise “all” packages are searched, as if by

**do-all-symbols.** Because a symbol may be available by way of more than one inheritance path, **apropos** may print information about the same symbol more than once. The information is printed to the stream that is the value of **\*standard-output\***. **apropos** returns no values (that is, it returns what the expression (**values**) returns: zero values).

**apropos-list** performs the same search that **apropos** does but prints nothing. It returns a list of the symbols whose print names contain *string* as a substring.

## 24.3 Environment Inquiries

Environment inquiry functions provide information about the environment in which a Common Lisp program is being executed. They are described here in two categories: first, those dealing with determination and measurement of time, and second, all the others, most of which deal with identification of the computer hardware and software.

Справочные функции представляют информацию о среде, в которой выполняется Common Lisp'овая программа. Функции разделены на две категории: первые для работы со временем, и остальные для получения имен, версий, типов программ и оборудования.

### 24.3.1 Time Functions

Time is represented in three different ways in Common Lisp: Decoded Time, Universal Time, and Internal Time. The first two representations are used primarily to represent calendar time and are precise only to one second. Internal Time is used primarily to represent measurements of computer time (such as run time) and is precise to some implementation-dependent fraction of a second, as specified by **internal-time-units-per-second**. Decoded Time format is used only for absolute time indications. Universal Time and Internal Time formats are used for both absolute and relative times.

Decoded Time format represents calendar time as a number of components:

- *Second*: an integer between 0 and 59, inclusive.
- *Minute*: an integer between 0 and 59, inclusive.

- *Hour*: an integer between 0 and 23, inclusive.
- *Date*: an integer between 1 and 31, inclusive (the upper limit actually depends on the month and year, of course).
- *Month*: an integer between 1 and 12, inclusive; 1 means January, 12 means December.
- *Year*: an integer indicating the year A.D. However, if this integer is between 0 and 99, the “obvious” year is used; more precisely, that year is assumed that is equal to the integer modulo 100 and within fifty years of the current year (inclusive backwards and exclusive forwards). Thus, in the year 1978, year 28 is 1928 but year 27 is 2027. (Functions that return time in this format always return a full year number.)
- *Day-of-week*: an integer between 0 and 6, inclusive; 0 means Monday, 1 means Tuesday, and so on; 6 means Sunday.
- *Daylight-saving-time-p*: a flag that, if not **nil**, indicates that daylight saving time is in effect.
- *Time-zone*: an integer specified as the number of hours west of GMT (Greenwich Mean Time). For example, in Massachusetts the time zone is 5, and in California it is 8. Any adjustment for daylight saving time is separate from this.

Time zone part of Decoded Time need not be an integer, but may be any rational number (either an integer or a ratio) in the range -24 to 24 (inclusive on both ends) that is an integral multiple of **1/3600**.

---

**Rationale:** For all possible time designations to be accommodated, it is necessary to allow the time zone to be non-integral, for some places in the world have time standards offset from Greenwich Mean Time by a non-integral number of hours.

There appears to be no user demand for floating-point time zones. Since such zones would introduce inexact arithmetic, X3J13 did not consider adding them at this time.

This specification does require time zones to be represented as integral multiples of 1 second (rather than 1 hour). This prevents problems that could otherwise occur in converting Decoded Time to Universal Time.

---



Universal Time represents time as a single non-negative integer. For relative time purposes, this is a number of seconds. For absolute time, this is the number of seconds since midnight, January 1, 1900 GMT. Thus the time 1 is 00:00:01 (that is, 12:00:01 A.M.) on January 1, 1900 GMT. Similarly, the time 2398291201 corresponds to time 00:00:01 on January 1, 1976 GMT. Recall that the year 1900 was *not* a leap year; for the purposes of Common Lisp, a year is a leap year if and only if its number is divisible by 4, except that years divisible by 100 are *not* leap years, except that years divisible by 400 *are* leap years. Therefore the year 2000 will be a leap year. (Note that the “leap seconds” that are sporadically inserted by the world’s official timekeepers as an additional correction are ignored; Common Lisp assumes that every day is exactly 86400 seconds long.) Universal Time format is used as a standard time representation within the ARPANET; see reference [22]. Because the Common Lisp Universal Time representation uses only non-negative integers, times before the base time of midnight, January 1, 1900 GMT cannot be processed by Common Lisp.

Internal Time also represents time as a single integer, but in terms of an implementation-dependent unit. Relative time is measured as a number of these units. Absolute time is relative to an arbitrary time base, typically the time at which the system began running.

*[Function]* **get-decoded-time**

The current time is returned in Decoded Time format. Nine values are returned: *second*, *minute*, *hour*, *date*, *month*, *year*, *day-of-week*, *daylight-saving-time-p*, and *time-zone*.

*[Function]* **get-universal-time**

The current time of day is returned as a single integer in Universal Time format.

Функция возвращает текущее время всемирное время в

*[Function]* **decode-universal-time** *universal-time* &optional *time-zone*

The time specified by *universal-time* in Universal Time format is converted to Decoded Time format. Nine values are returned: *second*, *minute*, *hour*, *date*, *month*, *year*, *day-of-week*, *daylight-saving-time-p*, and *time-zone*.

The *time-zone* argument defaults to the current time zone.

**decode-universal-time**, like **encode-universal-time**, ignores daylight saving time information if a *time-zone* is explicitly specified; in this case the returned *daylight-saving-time-p* value will necessarily be **nil** even if daylight saving time happens to be in effect in that time zone at the specified time.

*[Function]* **encode-universal-time** *second minute hour date month year*  
&*optional time-zone*

The time specified by the given components of Decoded Time format is encoded into Universal Time format and returned. If you do not specify *time-zone*, it defaults to the current time zone adjusted for daylight saving time. If you provide *time-zone* explicitly, no adjustment for daylight saving time is performed.

*[Constant]* **internal-time-units-per-second**

This value is an integer, the implementation-dependent number of internal time units in a second. (The internal time unit must be chosen so that one second is an integral multiple of it.)

---

**Rationale:** The reason for allowing the internal time units to be implementation-dependent is so that **get-internal-run-time** and **get-internal-real-time** can execute with minimum overhead. The idea is that it should be very likely that a fixnum will suffice as the returned value from these functions. This probability can be tuned to the implementation by trading off the speed of the machine against the word size. Any particular unit will be inappropriate for some implementations: a microsecond is too long for a very fast machine, while a much smaller unit would force many implementations to return bignums for most calls to **get-internal-time**, rendering that function less useful for accurate timing measurements.

---

*[Function]* **get-internal-run-time**

The current run time is returned as a single integer in Internal Time format. The precise meaning of this quantity is implementation-dependent; it may measure real time, run time, CPU cycles, or some other quantity. The intent is that the difference between the values of two calls to this function be the amount of time between the two calls during which computational effort was expended on behalf of the executing program.

*[Function]* **get-internal-real-time**

The current time is returned as a single integer in Internal Time format. This time is relative to an arbitrary time base, but the difference between the values of two calls to this function will be the amount of elapsed real time between the two calls, measured in the units defined by **internal-time-units-per-second**.

*[Function]* **sleep** *seconds*

(**sleep** *n*) causes execution to cease and become dormant for approximately *n* seconds of real time, whereupon execution is resumed. The argument may be any non-negative non-complex number. **sleep** returns **nil**.

### 24.3.2 Other Environment Inquiries

### 24.3.3 Справочные функции о среде

For any of the following functions, if no appropriate and relevant result can be produced, **nil** is returned instead of a string.

---

**Rationale:** These inquiry facilities are functions rather than variables against the possibility that a Common Lisp process might migrate from machine to machine. This need not happen in a distributed environment; consider, for example, dumping a core image file containing a compiler and then shipping it to another site.

---

*[Function]* **lisp-implementation-type**

A string is returned that identifies the generic name of the particular Common Lisp implementation. Examples: "**Spice LISP**", "**Zetalisp**", "**SBCL**".

*[Function]* **lisp-implementation-version**

A string is returned that identifies the version of the particular Common Lisp implementation; this information should be of use to maintainers of the implementation. Examples: "**1192**", "**53.7 with complex numbers**", "**1746.9A, NEWIO 53, ETHER 5.3**".

*[Function]* **machine-type**

A string is returned that identifies the generic name of the computer hardware on which Common Lisp is running. Examples: **"IMLAC"**, **"DEC PDP-10"**, **"DEC VAX-11/780"**, **"X86-64"**.

*[Function]* **machine-version**

A string is returned that identifies the version of the computer hardware on which Common Lisp is running. Example: **"KL10, microcode 9"**, **"AMD Athlon(tm) 64 X2 Dual Core Processor 3600+"**.

*[Function]* **machine-instance**

A string is returned that identifies the particular instance of the computer hardware on which Common Lisp is running; this might be a local nickname, for example, or a serial number. Examples: **"MIT-MC"**, **"CMU GP-VAX"**.

*[Function]* **software-type**

A string is returned that identifies the generic name of any relevant supporting software. Examples: **"Spice"**, **"TOPS-20"**, **"ITS"**, **Linux**.

*[Function]* **software-version**

A string is returned that identifies the version of any relevant supporting software; this information should be of use to maintainer of the implementation.

*[Function]* **short-site-name***[Function]* **long-site-name**

A string is returned that identifies the physical location of the computer hardware. Examples of short names: **"MIT AI Lab"**, **"CMU-CSD"**. Examples of long names:

**"MIT Artificial Intelligence Laboratory"**

**"Massachusetts Institute of Technology**

**Artificial Intelligence Laboratory"**

**"Carnegie-Mellon University Computer Science Department"**

See also **user-homedir-pathname**.

*[Variable]* **\*features\***

The value of the variable **\*features\*** should be a list of symbols that name “features” provided by the implementation. Most such names will be implementation-specific; typically a name for the implementation will be included.

The value of this variable is used by the **#+** and **#-** reader syntax.

Feature names used with **#+** and **#-** are read in the **keyword** package unless an explicit prefix designating some other package appears. The standard feature name **ieee-floating-point** is therefore actually the keyword **:ieee-floating-point**, though one need not write the colon when using it with **#+** or **#-**; thus **#+ieee-floating-point** and **#+:ieee-floating-point** mean the same thing.

## 24.4 Identity Function

This function is occasionally useful as an argument to other functions that require functions as arguments. (Got that?)

*[Function]* **identity** *object*

The *object* is returned as the value of **identity**.

The **identity** function is the default value for the **:key** argument to many sequence functions (see chapter 14).

Table 12.1 illustrates the behavior in the complex plane of the **identity** function regarded as a function of a complex numerical argument.

Many other constructs in Common Lisp have the behavior of **identity** when given a single argument. For example, one might well use **values** in place of **identity**. However, writing **values** of a single argument conventionally indicates that the argument form might deliver multiple values and that the intent is to pass on only the first of those values.

*[Function]* **constantly** *object*

Returns a function that will always return the *object*. The returned function takes any number of arguments.

*[Macro]* **lambda** lambda-list [| {declaration}\* | [doc-string]] {form}\*

A dubious shortcut for **(function (lambda ...))** or **#'(lambda ...)**.

# Chapter 25

## Loop





# Chapter 26

## Цикл loop

Author: Jon L White

Автор: Jon L White

preface:X3J13 voted in January 1989 to adopt an extended definition of the **loop** macro as a part of the forthcoming draft Common Lisp standard. This chapter presents the bulk of the Common Lisp Loop Facility proposal, written by Jon L White. I have edited it only very lightly to conform to the overall style of this book and have inserted a small number of bracketed remarks, identified by the initials GLS. (See the Acknowledgments to this second edition for acknowledgments to others who contributed to the Loop Facility proposal.)

Guy L. Steele Jr.

### 26.1 Introduction

### 26.2 Введение

A *loop* is a series of expressions that are executed one or more times, a process known as *iteration*. The *Loop Facility* defines a variety of useful methods, indicated by *loop keywords*, to iterate and to accumulate values in a loop.

*Цикл* представляет собой группу выражений, которые выполняются один или более раз, такой процесс известен как *итерация*. Цикл *Loop* включает в себя различную функциональность, которая обозначается *ключевыми символами loop*, для итерации и для накопления значений в цикле.

Loop keywords are not true Common Lisp keywords; they are symbols that are recognized by the Loop Facility and that provide such capabilities as controlling the direction of iteration, accumulating values inside the body of a loop, and evaluating expressions that precede or follow the loop body. If you do not use any loop keywords, the Loop Facility simply executes the loop body repeatedly.

Ключевые символы *loop* это не те ключевые символы Common Lisp'а. Они являются просто символами, которые имеют специальное значение в теле этой формы. Символы указывают на: направление итерации, накопление значения внутри тела, на действия для выполнения в начале/конце цикла. Если вы не используете эти ключевые символы, то **loop** просто циклически выполняет тело.

## 26.3 How the Loop Facility Works

### 26.4 Как работает Loop

The driving element of the Loop Facility is the **loop** macro. When Lisp encounters a **loop** macro call form, it invokes the Loop Facility and passes to it the loop clauses as a list of unevaluated forms, as with any macro. The loop clauses contain Common Lisp forms and loop keywords. The loop keywords are recognized by their symbol name, regardless of the packages that contain them. The **loop** macro translates the given form into Common Lisp code and returns the expanded form.

Главным элементом Loop является макрос **loop**. Как только Common Lisp видит вызов макроса **loop**, он разворачивает его без вычисления аргументов, что собственно происходит и с любым другим макросом. Loop содержит формы и ключевые символы. Ключевые символы обозначаются символами не обращая внимание на их принадлежность к пакету. Макрос **loop** транслирует полученную форму в Common Lisp'овый код и возвращает развёрнутую форму.

The expanded loop form is one or more lambda-expressions for the local binding of loop variables and a block and a tagbody that express a looping control structure. The variables established in the loop construct are bound as if by using **let** or **lambda**. Implementations can interleave the setting of initial values with the bindings. However, the assignment of the initial values is always calculated in the order specified by the user. A variable is

thus sometimes bound to a harmless value of the correct data type, and then later in the prologue it is set to the true initial value by using **setq**.

Развернутая форма представляется собой одно или более лямбда-выражений для связываний переменных цикла и формы **block** или **tagbody**, которые содержат тело цикла. Переменные для цикла создаются как если бы с помощью **let** или **lambda**. Связывание локальных переменных происходит в том порядке, в каком указал пользователь.

The expanded form consists of three basic parts in the tagbody:

Развёрнутая форма состоит из трёх основных частей в tagbody:

- The *loop prologue* contains forms that are executed before iteration begins, such as initial settings of loop variables and possibly an initial termination test.
- *Пролог* содержит формы, которые вычисляются перед началом итераций, например, первоначальные связывания переменных цикла и возможно первая проверка на завершение цикла.
- The *loop body* contains those forms that are executed during iteration, including application-specific calculations, termination tests, and variable stepping. *Stepping* is the process of assigning a variable the next item in a series of items.
- *Тело* содержит формы, которые вычисляются на каждом шаге цикла, включая непосредственно пользовательские операции, проверки завершения цикла, и пошаговое изменение переменных цикла. *Пошаговое изменение* это присваивание переменное следующего значения из последовательности значений.
- The *loop epilogue* contains forms that are executed after iteration terminates, such as code to return values from the loop.
- *Эпилог* содержит формы, которые вычисляются после завершения цикла, например, форма возврата значений из цикла.

Expansion of the **loop** macro produces an implicit block (named **nil**). Thus, the Common Lisp macro **return** and the special operator **return-from** can be used to return values from a loop or to exit a loop.

Раскрытие макроса **loop** порождает неявный block (с именем **nil**). Таким образом, внутри цикла для возврата значений или выхода можно

пользоваться макросом **return** или специальным оператором **return-from**.

Within the executable parts of loop clauses and around the entire loop form, you can still bind variables by using the Common Lisp special operator **let**.

В любой части выражения цикла можно использовать обычную конструкцию связывания переменных **let**.

## 26.5 Parsing Loop Clauses

## 26.6 Парсинг выражений Loop

The syntactic parts of a loop construct are called *clauses*; the scope of each clause is determined by the top-level parsing of that clause's keyword. The following example shows a loop construct with six clauses:

Синтаксические части конструкции loop называются *выражениями*. Область действия каждого выражения определяется парсером данного типа выражения. Следующий пример показывает loop с шестью выражениями:

```
(loop for i from 1 to (compute-top-value)      ;First clause
     while (not (unacceptable i))             ;Second clause
     collect (square i)                        ;Third clause
     do (format t "Working on ~D now" i)       ;Fourth clause
     when (evenp i)                            ;Fifth clause
     do (format t "~D is a non-odd number" i)
     finally (format t "About to exit!"))      ;Sixth clause
```

```
(loop for i from 1 to (compute-top-value)      ;Первое выражение
     while (not (unacceptable i))             ;Второе
     collect (square i)                        ;Третье
     do (format t "Обработка ~D " i)         ;Четвёртое
     when (evenp i)                            ;Пятое
     do (format t "~D чётное" i)
     finally (format t "Почти у выхода!"))    ;Шестое
```

Each loop keyword introduces either a compound loop clause or a simple loop clause that can consist of a loop keyword followed by a single Lisp form.

The number of forms in a clause is determined by the loop keyword that begins the clause and by the auxiliary keywords in the clause. The keywords **do**, **initially**, and **finally** are the only loop keywords that can take any number of Lisp forms and group them as if in a single **progn** form.

Каждое ключевое слово представляет или составное выражение, или простое выражение, которое может состоять из этого ключевого слова и одиночное Lisp'овой формы. Количество форм в выражении определяется первым ключевым символом или вспомогательными ключевыми символами в выражении. Только такие ключевые символы, как **do**, **initially** и **finally**, могут принимать любое количество Lisp'овых форм и группировать в одиночную форму **progn**.

Loop clauses can contain auxiliary keywords, which are sometimes called *prepositions*. For example, the first clause in the preceding code includes the prepositions **from** and **to**, which mark the value from which stepping begins and the value at which stepping ends.

Выражения loop могут содержать вспомогательные ключевые символы, которые иногда называются *предлоги*. Например, первое выражение в предыдущем коде включает предлоги **from** и **to**, которые указывают на начальное и конечное значения для переменной.

### 26.6.1 Order of Execution

### 26.6.2 Порядок вычисления

With the exceptions listed below, clauses are executed in the loop body in the order in which they appear in the source. Execution is repeated until a clause terminates the loop or until a Common Lisp **return**, **go**, or **throw** form is encountered. The following actions are exceptions to the linear order of execution:

Выражения в теле loop вычисляются в том порядке, в котором задал пользователь, с некоторыми исключениями перечисленными ниже. Вычисление повторяется пока не сработает выражение, завершающее цикл, или не будет вызвана одна из Common Lisp'овых форм **return**, **go**, **throw**. Для последовательного выполнения существуют следующие исключения:

- All variables are initialized first, regardless of where the establishing clauses appear in the source. The order of initialization follows the order of these clauses.

- Перво-наперво выполняется инициализация всех переменных, вне зависимости от их позиции в исходном коде. Порядок инициализации сохраняется.
- The code for any **initially** clauses is collected into one **progn** in the order in which the clauses appear in the source. The collected code is executed once in the loop prologue after any implicit variable initializations.
- Код из всех **initially** выражений в исходном порядке собирается в один большой **progn**. Собранный код вычисляется единожды в прологе после инициализации всех переменных.
- The code for any **finally** clauses is collected into one **progn** in the order in which the clauses appear in the source. The collected code is executed once in the loop epilogue before any implicit values from the accumulation clauses are returned. Explicit returns anywhere in the source, however, will exit the loop without executing the epilogue code.
- Код для всех **finally** выражение в исходном порядке собирается в один большой **progn**. Собранный код вычисляется единожды в эпилоге, перед тем как будут неявно возвращены значения из цикла. Однако явный выход где-либо в исходнике, будет завершать цикл без выполнения эпилога.
- A **with** clause introduces a variable binding and an optional initial value. The initial values are calculated in the order in which the **with** clauses occur.
- **with** выражение обозначает связывание переменной и опционально первоначальное значение. Первоначальные значение вычисляются в исходном порядке.
- Iteration control clauses implicitly perform the following actions:
  - initializing variables
  - stepping variables, generally between each execution of the loop body

- performing termination tests, generally just before the execution of the loop body
- Выражения для итераций неявно выполняют следующие действия:
  - присваивание переменных
  - наращивание переменных на каждой итерации
  - проверка условия завершения цикла, обычно перед выполнением итерации

### 26.6.3 Kinds of Loop Clauses

#### 26.6.4 Разновидности Loop выражений

Loop clauses fall into one of the following categories:

Выражения делятся на следующие категории:

- variable initialization and stepping
- инициализация и пошаговое изменение
  - The **for** and **as** constructs provide iteration control clauses that establish a variable to be initialized. You can combine **for** and **as** clauses with the loop keyword **and** to get parallel initialization and stepping.
  - Конструкции **for** и **as** служат для установки переменных. Для параллельной инициализации и изменения, выражения **for** и **as** могут комбинироваться с помощью символа **and**.
  - The **with** construct is similar to a single **let** clause. You can combine **with** clauses using **and** to get parallel initialization.
  - Конструкция **with** похожа на выражение **let**. Для параллельной инициализации вы можете комбинировать **with** с помощью **and**.
  - The **repeat** construct causes iteration to terminate after a specified number of times. It uses an internal variable to keep track of the number of iterations.

- Конструкция **repeat** указывает на количество итераций. Она использует внутреннюю переменную для подсчёта шагов.

You can specify data types for loop variables (see section 26.23.2). It is an error to bind the same variable twice in any variable-binding clause of a single loop expression. Such variables include local variables, iteration control variables, and variables found by destructuring.

Вы можете указать типы данных для переменных цикла (смотрите раздел 26.23.2). Связывать переменные два раза в одном цикле нельзя. Такие переменные включают локальные переменные, переменные для управления циклом и переменные созданные при деструктуризации.

- value accumulation
  - накопление значения
    - The **collect** construct takes one form in its clause and adds the value of that form to the end of a list of values. By default, the list of values is returned when the loop finishes.
    - Конструкция **collect** принимает одну форму и добавляет значение этой формы в конец списка значений. По-умолчанию в конце цикла этот список возвращается.
    - The **append** construct takes one form in its clause and appends the value of that form to the end of a list of values. By default, the list of values is returned when the loop finishes.
    - Конструкция **append** принимает одну форму и добавляет значение этой формы в конец списка значений. По-умолчанию в конце цикла этот список возвращается.
    - The **nconc** construct is similar to **append**, but its list values are concatenated as if by the Common Lisp function **nconc**. By default, the list of values is returned when the loop finishes.
    - Конструкция **nconc** похожа на **append**, но список соединяется с помощью функции **nconc**. По-умолчанию в конце цикла этот список возвращается.



- The **sum** construct takes one form in its clause that must evaluate to a number and adds that number into a running total. By default, the cumulative sum is returned when the loop finishes.
  - Конструкция **sum** принимает одну форму, которая должна вернуть число, и добавляет это число в общую сумму. По-умолчанию накопленная сумма возвращается из цикла.
  - The **count** construct takes one form in its clause and counts the number of times that the form evaluates to a non-**nil** value. By default, the count is returned when the loop finishes.
  - Конструкция **count** принимает одну форму и подсчитывает сколько раз эта форма вернула не-**nil** значение. По-умолчанию это количество возвращается из цикла.
  - The **minimize** construct takes one form in its clause and determines the minimum value obtained by evaluating that form. By default, the minimum value is returned when the loop finishes.
  - Конструкция **minimize** принимает одну форму и сохраняет минимальное значение, которое вернула эта форма. По-умолчанию, минимальное значение возвращается из цикла.
  - The **maximize** construct takes one form in its clause and determines the maximum value obtained by evaluating that form. By default, the maximum value is returned when the loop finishes.
  - Конструкция **maximize** принимает одну форму и сохраняет максимальное значение, которое вернула эта форма. По-умолчанию, максимальное значение возвращается из цикла.
- termination conditions
  - условия для завершения
    - The **loop-finish** Lisp macro terminates iteration and returns any accumulated result. If specified, any **finally** clauses are evaluated.
    - Lisp’овые макрос **loop-finish** прекращает цикл и возвращает накопленный результат. Вычисляется выражение **finally**, если было указано.
    - The **for** and **as** constructs provide a termination test that is determined by the iteration control clause.

- Конструкции **for** и **as** завершают цикл после выполнения указанных условий.
- The **repeat** construct causes termination after a specified number of iterations.
- Конструкция **repeat** завершает цикл после выполнения указанного количества итераций.
- The **while** construct takes one form, a condition, and terminates the iteration if the condition evaluates to **nil**. A **while** clause is equivalent to the expression (**if (not condition) (loop-finish)**).
- Конструкция **while** принимает одну форму — условие, и завершает цикл когда условие возвращает **nil**. Выражение **while** эквивалентно (**if (not condition) (loop-finish)**).
- The **until** construct is the inverse of **while**; it terminates the iteration if the condition evaluates to any non-**nil** value. An **until** clause is equivalent to the expression (**if condition (loop-finish)**).
- Конструкция **until** антоним конструкции **while**. Она завершает цикл, когда условие возвращает не-**nil** значение. Выражение **until** эквивалентно (**if condition (loop-finish)**).
- The **always** construct takes one form and terminates the loop if the form ever evaluates to **nil**; in this case, it returns **nil**. Otherwise, it provides a default return value of **t**.
- Конструкция **always** принимает одну форму и завершает цикл, если форма возвращает **nil**, в этом случае возвращается **nil**. Иначе возвращается результат по-умолчанию **t**.
- The **never** construct takes one form and terminates the loop if the form ever evaluates to non-**nil**; in this case, it returns **nil**. Otherwise, it provides a default return value of **t**.
- Конструкция **never** принимает одну форму и завершает цикл, если форма возвращает **nil**, в этом случае возвращается **nil**. Иначе возвращается результат по-умолчанию **t**.
- The **thereis** construct takes one form and terminates the loop if the form ever evaluates to non-**nil**; in this case, it returns that value.

- Конструкция **thereis** принимает одну форму и завершает цикл, если форма возвращает не-**nil**, в этом случае возвращается значение формы.
- unconditional execution
- безусловное выполнение
  - The **do** construct simply evaluates all forms in its clause.
  - Конструкция **do** просто выполняет все переданные формы.
  - The **return** construct takes one form and returns its value. It is equivalent to the clause **do (return value)**.
  - Конструкция **return** принимает одну форму и возвращает её значение. Эквивалентное выражение **do (return value)**.
- conditional execution
- условное выполнение
  - The **if** construct takes one form as a predicate and a clause that is executed when the predicate is true. The clause can be a value accumulation, unconditional, or another conditional clause; it can also be any combination of such clauses connected by the loop keyword **and**.
  - Конструкция **if** принимает форму в качестве предиката и выражение, которое выполняется в случае истинности предиката. Выражение может быть накоплением значения, безусловным или другим условным выражением.
  - The **when** construct is a synonym for **if**.
  - Конструкция **when** это синоним для конструкции **if**.
  - The **unless** construct is similar to **when** except that it complements the predicate; it executes the following clause if the predicate is false.
  - Конструкция **unless** похожа на **when** кроме того, что она выполняет форму при условии что предикат ложен.

- The **else** construct provides an optional component of **if**, **when**, and **unless** clauses that is executed when the predicate is false. The component is one of the clauses described under **if**.
  - Конструкция **else** содержит компонент, который будет выполнен при невыполнении веток **if**, **when** и **unless**.
  - The **end** construct provides an optional component to mark the end of a conditional clause.
  - Конструкция **end** указывает на конец условного выражения.
- miscellaneous operations
  - дополнительные операции
    - The **named** construct assigns a name to a loop construct.
    - Конструкция **named** присваивает имя блоку цикла.
    - The **initially** construct causes its forms to be evaluated in the loop prologue, which precedes all loop code except for initial settings specified by the constructs **with**, **for**, or **as**.
    - Конструкция **initially** вычисляет формы в прологе цикла, который следует перед телом цикла, но после первоначальных связываний в конструкциях **with**, **for** и **as**.
    - The **finally** construct causes its forms to be evaluated in the loop epilogue after normal iteration terminates. An unconditional clause can also follow the loop keyword **finally**.
    - Конструкция **finally** выполняет формы в эпилоге цикла после завершения итераций. Кроме того после слова **finally** могут следовать безусловные выражения.

### 26.6.5 Loop Syntax

### 26.6.6 Синтаксис Loop

The following syntax description provides an overview of the syntax for loop clauses. Detailed syntax descriptions of individual clauses appear in sections 26.12 through 26.23. A loop consists of the following types of clauses:

```

initial-final ::= initially | finally
variables ::= with | initial-final | for-as | repeat
main ::= unconditional | accumulation | conditional | termination | initial-final
loop ::= (loop [named name] {}* variables {}* main)

```

Вот небольшой обзор синтаксиса для выражений цикла. Детальные описания конкретных подвыражений находятся в разделах начиная с 26.12 и заканчивая 26.23. Цикл содержит следующие типы выражений:

```

initial-final ::= initially | finally
variables ::= with | initial-final | for-as | repeat
main ::= unconditional | accumulation | conditional | termination | initial-final
loop ::= (loop [named name] {}* variables {}* main)

```

Note that a loop must have at least one clause; however, for backward compatibility, the following format is also supported:

```
(loop {tag / expr}*)
```

where *expr* is any Common Lisp expression that can be evaluated, and *tag* is any symbol not identifiable as a loop keyword. Such a format is roughly equivalent to the following one:

```
(loop do {tag / expr}*)
```

Заметьте, что цикл должен содержать как минимум одно выражение, однако для обратной совместимости также поддерживается и следующий формат:

```
(loop {tag / expr}*)
```

где *expr* является любым Common Lisp'овым выражением, которое может быть вычислено, и *tag* это любой символ не из множества символов loop. Такой формат примерно эквивалентен следующему:

```
(loop do {tag / expr}*)
```

A loop prologue consists of any automatic variable initializations prescribed by the *variable* clauses, along with any *initially* clauses in the order they appear in the source.

Пролог состоит из инициализации переменных описанных в соответствующих выражения, и **initially** выражений в том порядке, в котором они были записаны.

A loop epilogue consists of *finally* clauses, if any, along with any implicit return value from an *accumulation* clause or an *end-test* clause.

Эпилог состоит из выражений **finally** (если они были), и неявного возврата значения из выражений собирающих результат или из выражений проверки выхода из цикла.

## 26.7 User Extensibility

There is currently no specified portable method for users to add extensions to the Loop Facility. The names **defloop** and **define-loop-method** have been suggested as candidates for such a method.

## 26.8 Пользовательские расширения

Пользователю не предоставляется способа расширить функционал Loop.

## 26.9 Loop Constructs

## 26.10 Конструкции Loop

The remaining sections of this chapter describe the constructs that the Loop Facility provides. The descriptions are organized according to the functionality of the constructs. Each section begins with a general discussion of a particular operation; it then presents the constructs that perform the operation.

Следующие разделы раскрывают конструкции цикла Loop. Описания сгруппированы по типам данных конструкций. Каждый раздел начинается с общего описания конкретной операции, затем раскрывается конструкция, которая выполняет данную операцию.

- Section 26.12, “Iteration Control,” describes iteration control clauses that allow directed loop iteration.

- Раздел 26.12, «Управление итерациями» описывает выражения для управления итерациями.
- Section 26.14, “End-Test Control,” describes clauses that stop iteration by providing a conditional expression that can be tested after each execution of the loop body.
- Раздел 26.14, «Проверка завершения» описывает выражения, которые прекращают итерации, в случае если того требует тестовое выражение, которое выполняется на каждой итерации.
- Section 26.15, “Value Accumulation,” describes constructs that accumulate values during iteration and return them from a loop. This section also discusses ways in which accumulation clauses can be combined within the Loop Facility.
- Раздел 26.15, «Накопление значения» описывает конструкции, которые накапливают значение во время итераций и возвращают их из цикла. Данный раздел также содержит методы комбинирования данных выражений с другим функционалом.
- Section 26.17, “Variable Initializations,” describes the **with** construct, which provides local variables for use within the loop body, and other constructs that provide local variables.
- Раздел 26.17, «Инициализация переменных» описывает конструкцию **with**, которая позволяет создавать локальные переменные для использования в теле цикла, а также другие конструкции, которые создают локальные переменные.
- Section 26.19, “Conditional Execution,” describes how to execute loop clauses conditionally.
- Раздел 26.19, «Условное выполнение» описывает то, как выполнять выражения цикла в зависимости от условия.
- Section 26.21, “Unconditional Execution,” describes the **do** and **return** constructs. It also describes constructs that are used in the loop prologue and loop epilogue.

- Раздел 26.21, «Безусловное выполнение» описывает конструкции **do** и **return**. Раздел также содержит информацию о прологе и эпилоге цикла Loop.
- Section 26.23, “Miscellaneous Features,” discusses loop data types and destructuring. It also presents constructs for naming a loop and for specifying initial and final actions.
- Раздел 26.23 «Дополнительные возможности» описывает типы данных и деструктуризацию в контексте цикла loop. Раздел также содержит информацию о задании имени цикла и прологе и эпилоге.

## 26.11 Iteration Control

### 26.12 Управление итерациями

Iteration control clauses allow you to direct loop iteration. The loop keywords **as**, **for**, and **repeat** designate iteration control clauses.

Для управления итерациями используются выражения **as**, **for** и **repeat**.

Iteration control clauses differ with respect to the specification of termination conditions and the initialization and stepping of loop variables. Iteration clauses by themselves do not cause the Loop Facility to return values, but they can be used in conjunction with value-accumulation clauses to return values (see section 26.15).

Управление итерациями отличается от условий завершения цикла и инициализации и наращивания переменных цикла. Управление итерациями само по себе не выполняет возврат значение, но оно может использоваться в сочетании с выражениями накопления значения для возврата значений (смотрите раздел 26.15).

All variables are initialized in the loop prologue. The scope of the variable binding is *lexical* unless it is proclaimed special; thus, the variable can be accessed only by expressions that lie textually within the loop. Stepping assignments are made in the loop body before any other expressions are evaluated in the body.

Все переменные инициализируются в прологе цикла. Область видимости переменных *лексическая*, если только они не объявлены



как *специальные*. Таким образом переменные доступны только в выражениях, которые текстово находятся в цикле. Нарращивание переменных выполняется в теле цикла перед другими выражениями.

The variable argument in iteration control clauses can be a *destructuring list*. A destructuring list is a tree whose non-null atoms are symbols that can be assigned a value (see section 26.23.3).

На месте переменное может стоять *список переменных для деконструкции*. Данный список представляет из себя дерево, в котором не-null атомы это символы, которые могут быть связаны со значениями (смотрите раздел 26.23.3).

The iteration control clauses **for**, **as**, and **repeat** must precede any other loop clauses except **initially**, **with**, and **named**, since they establish variable bindings. When iteration control clauses are used in a loop, termination tests in the loop body are evaluated before any other loop body code is executed.

Выражения для управления итерациями **for**, **as** и **repeat** должны быть указаны прежде других выражений за исключением **initially**, **with** и **named**, так как последние служат для создания переменных. При использовании выражений управления итерациями, проверка завершения выполняется перед самим телом цикла.

If you use multiple iteration clauses to control iteration, variable initialization and stepping occur sequentially by default. You can use the **and** construct to connect two or more iteration clauses when sequential binding and stepping are not necessary. The iteration behavior of clauses joined by **and** is analogous to the behavior of the Common Lisp macro **do** relative to **do\***.

Если вы используете несколько выражений для управления итерациями, по-умолчанию связывания и наращивания переменных выполняются последовательно. Если последовательное выполнение необязательно, вы можете объединить выражения с помощью конструкции **and**. Различия при неиспользовании и использовании конструкции **and** аналогичны различиям между **do** и **do\***

In the following example, the variable **x** is stepped before **y** is stepped; thus, the value of **y** reflects the updated value of **x**:

```
(loop for x from 1 to 9
      for y = nil then x
      collect (list x y))
⇒ ((1 NIL) (2 2) (3 3) (4 4) (5 5) (6 6) (7 7) (8 8) (9 9))
```

In the following example, **x** and **y** are stepped in parallel:

```
(loop for x from 1 to 9
      and y = nil then x
      collect (list x y))
⇒ ((1 NIL) (2 1) (3 2) (4 3) (5 4) (6 5) (7 6) (8 7) (9 8))
```

В следующем примере переменная **x** наращивается прежде чем **y**, таким образом **y** содержит новое значение **x**.

```
(loop for x from 1 to 9
      for y = nil then x
      collect (list x y))
⇒ ((1 NIL) (2 2) (3 3) (4 4) (5 5) (6 6) (7 7) (8 8) (9 9))
```

В следующем примере переменные **x** и **y** наращиваются параллельно:

```
(loop for x from 1 to 9
      and y = nil then x
      collect (list x y))
⇒ ((1 NIL) (2 1) (3 2) (4 3) (5 4) (6 5) (7 6) (8 7) (9 8))
```

The **for** and **as** clauses iterate by using one or more local loop variables that are initialized to some value and that can be modified or stepped after each iteration. For these clauses, iteration terminates when a local variable reaches some specified value or when some other loop clause terminates iteration. At each iteration, variables can be stepped by an increment or a decrement or can be assigned a new value by the evaluation of an expression. Destructuring can be used to assign initial values to variables during iteration.

Выражения **for** и **as** выполняют тело цикла для одной или нескольких переменных, которые вначале инициализируются некоторым значением, затем наращиваются после каждой итерации. Для этих выражений цикл завершается после того, как локальная переменная достигает последнего указанного значения, или срабатывает какое-либо другое завершающее выражение. На каждой итерации переменная может быть увеличена, уменьшена, или ей может быть связана с значением некоторого выражения. Для присваивания первоначальных значений может использоваться деструктуризация.

The **for** and **as** keywords are synonyms and may be used interchangeably. There are seven syntactic representations for these constructs. In each syntactic description, the data type of *var* can be specified by the optional *type-spec* argument. If *var* is a destructuring list, the data type specified by the *type-spec* argument must appropriately match the elements of the list (see sections 26.23.2 and 26.23.3).

Ключевые символы **for** и **as** являются синонимами, соответственно взаимозаменяемы. Для этих конструкций существует семь синтаксических представлений. В каждой из них для переменной *var* опционально можно задать тип *type-spec*. Если *var* является списком для дефактуризации, *type-spec* должен соответственно описывать элементы списка (смотрите разделы 26.23.2 и 26.23.3)

```
[Loop clause] for var [type-spec] [{from | downfrom | upfrom} expr1]
  [{to | downto | upto | below | above} expr2]
  [by expr3]
```

```
[Loop clause] as var [type-spec] [{from | downfrom | upfrom} expr1]
  [{to | downto | upto | below | above} expr2]
  [by expr3]
```

[This is the first of seven **for/as** syntaxes.—GLS]

The **for** or **as** construct iterates from the value specified by *expr1* to the value specified by *expr2* in increments or decrements denoted by *expr3*. Each expression is evaluated only once and must evaluate to a number.

The variable *var* is bound to the value of *expr1* in the first iteration and is stepped by the value of *expr3* in each succeeding iteration, or by 1 if *expr3* is not provided.

The following loop keywords serve as valid prepositions within this syntax.

**from** The loop keyword **from** marks the value from which stepping begins, as specified by *expr1*. Stepping is incremental by default. For decremental stepping, use **above** or **downto** with *expr2*. For incremental stepping, the default **from** value is **0**.

**downfrom, upfrom** The loop keyword **downfrom** indicates that the variable *var* is decreased in decrements specified by *expr3*; the loop keyword **upfrom** indicates that *var* is increased in increments specified by *expr3*.

**to** The loop keyword **to** marks the end value for stepping specified in *expr2*. Stepping is incremental by default. For decremental stepping, use **downto**, **downfrom**, or **above** with *expr2*.

**downto**, **upto** The loop keyword **downto** allows iteration to proceed from a larger number to a smaller number by the decrement *expr3*. The loop keyword **upto** allows iteration to proceed from a smaller number to a larger number by the increment *expr3*. Since there is no default for *expr1* in decremental stepping, you must supply a value with **downto**.

**below**, **above** The loop keywords **below** and **above** are analogous to **upto** and **downto**, respectively. These keywords stop iteration just before the value of the variable *var* reaches the value specified by *expr2*; the end value of *expr2* is not included. Since there is no default for *expr1* in decremental stepping, you must supply a value with **above**.

**by** The loop keyword **by** marks the increment or decrement specified by *expr3*. The value of *expr3* can be any positive number. The default value is **1**.

At least one of these prepositions must be used with this syntax.

In an iteration control clause, the **for** or **as** construct causes termination when the specified limit is reached. That is, iteration continues until the value *var* is stepped to the exclusive or inclusive limit specified by *expr2*. The range is *exclusive* if *expr3* increases or decreases *var* to the value of *expr2* without reaching that value; the loop keywords **below** and **above** provide exclusive limits. An *inclusive* limit allows *var* to attain the value of *expr2*; **to**, **downto**, and **upto** provide inclusive limits.

A common convention is to use **for** to introduce new iterations and **as** to introduce iterations that depend on a previous iteration specification. [However, **loop** does not enforce this convention, and some of the examples below violate it. *De gustibus non disputandum est.*—GLS]

Examples:

```
;;; Print some numbers.
(loop as i from 1 to 5
  do (print i)) ;Prints 5 lines
```

```

1
2
3
4
5
⇒ NIL

```

```
;;; Print every third number.
```

```

(loop for i from 10 downto 1 by 3
  do (print i)) ;Prints 4 lines
10
7
4
1
⇒ NIL

```

```
;;; Step incrementally from the default starting value.
```

```

(loop as i below 5
  do (print i)) ;Prints 5 lines
0
1
2
3
4
⇒ NIL

```

*[Loop clause]* **for** var [type-spec] **in** expr1 [**by** step-fun]

*[Loop clause]* **as** var [type-spec] **in** expr1 [**by** step-fun]

[This is the second of seven **for/as** syntaxes.—GLS]

This construct iterates over the contents of a list. It checks for the end of the list as if using the Common Lisp function **endp**. The variable *var* is bound to the successive elements of the list *expr1* before each iteration. At the end of each iteration, the function *step-fun* is called on the list and is expected to produce a successor list; the default value for *step-fun* is the **cdr** function.

The **for** or **as** construct causes termination when the end of the list is reached. The loop keywords **in** and **by** serve as valid prepositions in this syntax.

Examples:

```
;;; Print every item in a list.
(loop for item in '(1 2 3 4 5) do (print item))           ;Prints 5 lines
1
2
3
4
5
⇒ NIL
```

```
;;; Print every other item in a list.
(loop for item in '(1 2 3 4 5) by #'cddr                 ;Prints 3 lines
  do (print item))
1
3
5
⇒ NIL
```

```
;;; Destructure items of a list, and sum the x values
;;; using fixnum arithmetic.
(loop for (item . x) (t . fixnum)
  in '((A . 1) (B . 2) (C . 3))
  unless (eq item 'B) sum x)
⇒ 4
```

*[Loop clause]* **for** var [type-spec] on expr1 [by step-fun]

*[Loop clause]* **as** var [type-spec] on expr1 [by step-fun]

[This is the third of seven **for/as** syntaxes.—GLS]

This construct iterates over the contents of a list. It checks for the end of the list as if using the Common Lisp function **endp**. The variable *var* is bound to the successive tails of the list *expr1*. At the end of each iteration, the function *step-fun* is called on the list and is expected to produce a successor list; the default value for *step-fun* is the **cdr** function.

The loop keywords **on** and **by** serve as valid prepositions in this syntax. The **for** or **as** construct causes termination when the end of the list is reached.

Examples:

```
;;; Collect successive tails of a list.
(loop for sublist on '(a b c d)
      collect sublist)
⇒ ((A B C D) (B C D) (C D) (D))
```

```
;;; Print a list by using destructuring with the loop keyword ON.
(loop for (item) on '(1 2 3)
      do (print item)) ;Prints 3 lines
1
2
3
⇒ NIL
```

```
;;; Print items in a list without using destructuring.
(loop for item in '(1 2 3)
      do (print item)) ;Prints 3 lines
1
2
3
⇒ NIL
```

```
[Loop clause] for var [type-spec] = expr1 [then expr2]
[Loop clause] as var [type-spec] = expr1 [then expr2]
```

[This is the fourth of seven **for/as** syntaxes.—GLS]

This construct initializes the variable *var* by setting it to the result of evaluating *expr1* on the first iteration, then setting it to the result of evaluating *expr2* on the second and subsequent iterations. If *expr2* is omitted, the construct uses *expr1* on the second and subsequent iterations. When *expr2* is omitted, the expanded code shows the following optimization:

```
;;; Sample original code:
(loop for x = expr1 then expr2 do (print x))
```

```
;;; The usual expansion:
(tagbody
  (setq x expr1)
  tag (print x)
  (setq x expr2)
  (go tag))
```

```
;;; The optimized expansion:
(tagbody
  tag (setq x expr1)
      (print x)
      (go tag))
```

The loop keywords `=` and `then` serve as valid prepositions in this syntax. This construct does not provide any termination conditions.

Example:

```
;;; Collect some numbers.
(loop for item = 1 then (+ item 10)
      repeat 5
      collect item)
⇒ (1 11 21 31 41)
```

*[Loop clause]* **for** var [type-spec] across vector

*[Loop clause]* **as** var [type-spec] across vector

[This is the fifth of seven **for/as** syntaxes.—GLS]

This construct binds the variable *var* to the value of each element in the array *vector*.

The loop keyword **across** marks the array *vector*; **across** is used as a preposition in this syntax. Iteration stops when there are no more elements in the specified array that can be referenced.

Some implementations might use a [user-supplied—GLS] **the** special operator in the *vector* form to produce more efficient code.

Example:

```
(loop for char across (the simple-string (find-message port))
      do (write-char char stream))
```

*[Loop clause]* **for** var [type-spec] **being** {**each** | **the**}

{**hash-key** | **hash-keys** | **hash-value** | **hash-values**}

{**in** | **of**} hash-table [**using** ({**hash-value** | **hash-key**} other-var)]

*[Loop clause]* **as** var [type-spec] **being** {**each** | **the**}

{**hash-key** | **hash-keys** | **hash-value** | **hash-values**}

{**in** | **of**} hash-table [**using** ({**hash-value** | **hash-key**} other-var)]

[This is the sixth of seven **for/as** syntaxes.—GLS]



This construct iterates over the elements, keys, and values of a hash table. The variable *var* takes on the value of each hash key or hash value in the specified hash table.

The following loop keywords serve as valid prepositions within this syntax.

**being** The keyword **being** marks the loop method to be used, either **hash-key** or **hash-value**.

**each, the** For purposes of readability, the loop keyword **each** should follow the loop keyword **being** when **hash-key** or **hash-value** is used. The loop keyword **the** is used with **hash-keys** and **hash-values**.

**hash-key, hash-keys** These loop keywords access each key entry of the hash table. If the name **hash-value** is specified in a **using** construct with one of these loop methods, the iteration can optionally access the keyed value. The order in which the keys are accessed is undefined; empty slots in the hash table are ignored.

**hash-value, hash-values** These loop keywords access each value entry of a hash table. If the name **hash-key** is specified in a **using** construct with one of these loop methods, the iteration can optionally access the key that corresponds to the value. The order in which the keys are accessed is undefined; empty slots in the hash table are ignored.

**using** The loop keyword **using** marks the optional key or the keyed value to be accessed. It allows you to access the hash key if iterating over the hash values, and the hash value if iterating over the hash keys.

**in, of** These loop prepositions mark the hash table *hash-table*.

Iteration stops when there are no more hash keys or hash values to be referenced in the specified hash table.

```
[Loop clause] for var [type-spec] being {each | the}
  {symbol | present-symbol | external-symbol |
  symbols | present-symbols | external-symbols}
  {in | of} package
```

```
[Loop clause] as var [type-spec] being {each | the}
  {symbol | present-symbol | external-symbol |
  symbols | present-symbols | external-symbols}
  {in | of} package
```

[This is the last of seven **for/as** syntaxes.—GLS]

This construct iterates over the symbols in a package. The variable *var* takes on the value of each symbol in the specified package.

The following loop keywords serve as valid prepositions within this syntax.

**being** The keyword **being** marks the loop method to be used: **symbol**, **present-symbol**, or **external-symbol**.

**each, the** For purposes of readability, the loop keyword **each** should follow the loop keyword **being** when **symbol**, **present-symbol**, or **external-symbol** is used. The loop keyword **the** is used with **symbols**, **present-symbols**, and **external-symbols**.

**present-symbol, present-symbols** These loop methods iterate over the symbols that are present but not external in a package. The package to be iterated over is specified in the same way that package arguments to the Common Lisp function **find-package** are specified. If you do not specify the package for the iteration, the current package is used. If you specify a package that does not exist, an error is signaled.

**symbol, symbols** These loop methods iterate over symbols that are accessible from a given package. The package to be iterated over is specified in the same way that package arguments to the Common Lisp function **find-package** are specified. If you do not specify the package for the iteration, the current package is used. If you specify a package that does not exist, an error is signaled.

**external-symbol, external-symbols** These loop methods iterate over the external symbols of a package. The package to be iterated over is specified in the same way that package arguments to the Common Lisp function **find-package** are specified. If you do not specify the package for the iteration, the current package is used. If you specify a package that does not exist, an error is signaled.

**in, of** These loop prepositions mark the package *package*.

Iteration stops when there are no more symbols to be referenced in the specified package.

Example:

```
(loop for x being each present-symbol of "COMMON-LISP-USER"
      do (print x)) ;Prints 7 lines in this example
COMMON-LISP-USER::IN
COMMON-LISP-USER::X
COMMON-LISP-USER::ALWAYS
COMMON-LISP-USER::FOO
COMMON-LISP-USER::Y
COMMON-LISP-USER::FOR
COMMON-LISP-USER::LUCID
⇒ NIL
```

*[Loop clause]* **repeat** *expr*

The **repeat** construct causes iteration to terminate after a specified number of times. The loop body is executed  $n$  times, where  $n$  is the value of the expression *expr*. The *expr* argument is evaluated one time in the loop prologue. If the expression evaluates to zero or to a negative number, the loop body is not evaluated.

Конструкция **repeat** завершает цикл после указанного количества итераций. Тело цикла выполняется  $n$  раз, где  $n$  является значением выражения *expr*. Аргумент *expr* вычисляется единожды в прологе цикла. Если выражение возвращает ноль или отрицательное число, тело цикла не выполняется.

The clause **repeat**  $n$  is roughly equivalent to a clause such as  
for *internal-variable* downfrom (-  $n$  1) to 0

but, in some implementations, the **repeat** construct might be more efficient.

Выражение **repeat**  $n$  примерно похоже на выражение  
for *internal-variable* downfrom (-  $n$  1) to 0

но на некоторых реализациях **repeat** может быть более эффективна.

Examples:

```
(loop repeat 3 ;Prints 3 lines
      do (format t "What I say three times is true~%"))
What I say three times is true
What I say three times is true
What I say three times is true
⇒ NIL
```

```
(loop repeat -15 ;Prints nothing
  do (format t "What you see is what you expect~%"))
⇒ NIL
```

Примеры:

```
(loop repeat 3 ;Напечатает 3 строки
  do (format t "То, что я скажу три раза является истиной~%"))
То, что я скажу три раза является истиной
То, что я скажу три раза является истиной
То, что я скажу три раза является истиной
⇒ NIL
```

```
(loop repeat -15 ;Ничего не напечатает
  do (format t "То что вы видите, это то, что вы ожидаете~%"))
⇒ NIL
```

## 26.13 End-Test Control

## 26.14 Проверка завершения

The loop keywords **always**, **never**, **thereis**, **until**, and **while** designate constructs that use a single test condition to determine when loop iteration should terminate.

Ключевые символы **always**, **never**, **thereis**, **until** и **while** обозначают конструкции, которые с помощью условия проверяют должен ли быть завершён цикл.

The constructs **always**, **never**, and **thereis** provide specific values to be returned when a loop terminates. Using **always**, **never**, or **thereis** with value-returning accumulation clauses can produce unpredictable results. In all other respects these constructs behave like the **while** and **until** constructs.

The macro **loop-finish** can be used at any time to cause normal termination. In normal termination, **finally** clauses are executed and default return values are returned.

End-test control constructs can be used anywhere within the loop body.

The termination conditions are tested in the order in which they appear.

*[Loop clause]* **while** expr

*[Loop clause]* **until** expr

The **while** construct allows iteration to continue until the specified expression *expr* evaluates to **nil**. The expression is re-evaluated at the location of the **while** clause.

The **until** construct is equivalent to **while** (**not** *expr*). If the value of the specified expression is non-**nil**, iteration terminates.

You can use **while** and **until** at any point in a loop. If a **while** or **until** clause causes termination, any clauses that precede it in the source are still evaluated.

Examples:

```
;;; A classic "while-loop".
(loop while (hungry-p) do (eat))
```

```
;;; UNTIL NOT is equivalent to WHILE.
(loop until (not (hungry-p)) do (eat))
```

```
;;; Collect the length and the items of STACK.
(let ((stack '(a b c d e f)))
  (loop while stack
    for item = (length stack) then (pop stack)
    collect item))
⇒ (6 A B C D E F)
```

```
;;; Use WHILE to terminate a loop that otherwise wouldn't
;;; terminate. Note that WHILE occurs after the WHEN.
(loop for i fixnum from 3
  when (oddp i) collect i
  while (< i 5))
⇒ (3 5)
```

*[Loop clause]* **always** expr

*[Loop clause]* **never** expr

*[Loop clause]* **thereis** expr

The **always** construct takes one form and terminates the loop if the form ever evaluates to **nil**; in this case, it returns **nil**. Otherwise, it provides a default return value of **t**.

The **never** construct takes one form and terminates the loop if the form ever evaluates to non-**nil**; in this case, it returns **nil**. Otherwise, it provides a default return value of **t**.

The **thereis** construct takes one form and terminates the loop if the form ever evaluates to non-**nil**; in this case, it returns that value.

If the **while** or **until** construct causes termination, control is passed to the loop epilogue, where any **finally** clauses will be executed. Since **always**, **never**, and **thereis** use the Common Lisp macro **return** to terminate iteration, any **finally** clause that is specified is not evaluated.

Examples:

```
;;; Make sure I is always less than 11 (two ways).
;;; The FOR construct terminates these loops.
```

```
(loop for i from 0 to 10
      always (< i 11))
⇒ T
```

```
(loop for i from 0 to 10
      never (> i 11))
⇒ T
```

```
;;; If I exceeds 10, return I; otherwise, return NIL.
;;; The THEREIS construct terminates this loop.
```

```
(loop for i from 0
      thereis (when (> i 10) i) )
⇒ 11
```

```
;;; The FINALLY clause is not evaluated in these examples.
```

```
(loop for i from 0 to 10
      always (< i 9)
      finally (print "you won't see this"))
⇒ NIL
```

```
(loop never t
      finally (print "you won't see this"))
⇒ NIL
```

```
(loop thereis "Here is my value"
  finally (print "you won't see this"))
⇒ "Here is my value"
```

;;; The FOR construct terminates this loop,  
 ;;; so the FINALLY clause is evaluated.

```
(loop for i from 1 to 10
  thereis (> i 11)
  finally (print i)) ;Prints 1 line
11
⇒ NIL
```

```
(defstruct mountain height difficulty (why "because it is there"))
(setq everest (make-mountain :height '(2.86e-13 parsecs)))
(setq chocorua (make-mountain :height '(1059180001 microns)))
(defstruct desert area (humidity 0))
(setq sahara (make-desert :area '(212480000 square furlongs)))
  ;First there is a mountain, then there is no mountain, then there is ...
(loop for x in (list everest sahara chocorua) ; —GLS
  thereis (and (mountain-p x) (mountain-height x)))
⇒ (2.86E-13 PARSECS)
```

;;; If you could use this code to find a counterexample to  
 ;;; Fermat's last theorem, it would still not return the value  
 ;;; of the counterexample because all of the THEREIS clauses  
 ;;; in this example return only T. Of course, this code has  
 ;;; never been observed to terminate.

```
(loop for z upfrom 2
  thereis
    (loop for n upfrom 3 below (log z 2)
      thereis
        (loop for x below z
          thereis
            (loop for y below z
              thereis (= (+ (expt x n)
                            (expt y n))
                          (expt z n))))))
```

*[Macro]* **loop-finish**

The macro **loop-finish** terminates iteration normally and returns any accumulated result. If specified, a **finally** clause is evaluated.

In most cases it is not necessary to use **loop-finish** because other loop control clauses terminate the loop. Use **loop-finish** to provide a normal exit from a nested condition inside a loop.

You can use **loop-finish** inside nested Lisp code to provide a normal exit from a loop. Since **loop-finish** transfers control to the loop epilogue, using **loop-finish** within a **finally** expression can cause infinite looping.

Implementations are allowed to provide this construct as a local macro by using **macrolet**.

Examples:

```
;;; Print a date in February, but exclude leap day.
```

```
;;; LOOP-FINISH exits from the nested condition.
```

```
(loop for date in date-list
      do (case date
          (29 (when (eq month 'february)
                (loop-finish))
          (format t "~:@(~A~) ~A" month date))))
```

```
;;; Terminate the loop, but return the accumulated count.
```

```
(loop for i in '(1 2 3 stop-here 4 5 6)
      when (symbolp i) do (loop-finish)
      count i)
⇒ 3
```

```
;;; This loop works just as well as the previous example.
```

```
(loop for i in '(1 2 3 stop-here 4 5 6)
      until (symbolp i)
      count i)
⇒ 3
```

## 26.15 Value Accumulation

Accumulating values during iteration and returning them from a loop is often useful. Some of these accumulations occur so frequently that special loop clauses have been developed to handle them.



The loop keywords **append**, **appending**, **collect**, **collecting**, **nconc**, and **nconcing** designate clauses that accumulate values in lists and return them.

The loop keywords **count**, **counting**, **maximize**, **maximizing**, **minimize**, **minimizing**, **sum**, and **summing** designate clauses that accumulate and return numerical values. [There is no semantic difference between the “ing” keywords and their non-“ing” counterparts. They are provided purely for the sake of stylistic diversity among users. I happen to prefer the non-“ing” forms—when I use **loop** at all.—GLS]

The loop preposition **into** can be used to name the variable used to hold partial accumulations. The variable is bound as if by the loop construct **with** (see section 26.17). If **into** is used, the construct does not provide a default return value; however, the variable is available for use in any **finally** clause.

You can combine value-returning accumulation clauses in a loop if all the clauses accumulate the same type of data object. By default, the Loop Facility returns only one value; thus, the data objects collected by multiple accumulation clauses as return values must have compatible types. For example, since both the **collect** and **append** constructs accumulate objects into a list that is returned from a loop, you can combine them safely.

```
;;; Collect every name and the kids in one list by using
;;; COLLECT and APPEND.
(loop for name in '(fred sue alice joe june)
      for kids in '((bob ken) () (kris sunshine) ()))
  collect name
  append kids)
⇒ (FRED BOB KEN SUE ALICE JOE KRIS SUNSHINE JUNE)
```

[In the preceding example, note that the items accumulated by the **collect** and **append** clauses are interleaved in the result list, according to the order in which the clauses were executed.—GLS]

Multiple clauses that do not accumulate the same type of data object can coexist in a loop only if each clause accumulates its values into a different user-specified variable. Any number of values can be returned from a loop if you use the Common Lisp function **values**, as the next example shows:

```

;;; Count and collect names and ages.
(loop for name in '(fred sue alice joe june)
      as age in '(22 26 19 20 10)
      append (list name age) into name-and-age-list
      count name into name-count
      sum age into total-age
      finally
        (return (values (round total-age name-count)
                        name-and-age-list)))
⇒ 19 and (FRED 22 SUE 26 ALICE 19 JOE 20 JUNE 10)

```

```

[Loop clause] collect expr [into var]
[Loop clause] collecting expr [into var]

```

During each iteration, these constructs collect the value of the specified expression into a list. When iteration terminates, the list is returned.

The argument *var* is set to the list of collected values; if *var* is specified, the loop does not return the final list automatically. If *var* is not specified, it is equivalent to specifying an internal name for *var* and returning its value in a **finally** clause. The *var* argument is bound as if by the construct **with**. You cannot specify a data type for *var*; it must be of type **list**.

Examples:

```

;;; Collect all the symbols in a list.
(loop for i in '(bird 3 4 turtle (1 . 4) horse cat)
      when (symbolp i) collect i)
⇒ (BIRD TURTLE HORSE CAT)

```

```

;;; Collect and return odd numbers.
(loop for i from 1 to 10
      if (oddp i) collect i)
⇒ (1 3 5 7 9)

```

```

;;; Collect items into local variable, but don't return them.
(loop for i in '(a b c d) by #'cddr
      collect i into my-list
      finally (print my-list)) ;Prints 1 line
(A C)
⇒ NIL

```

```

[Loop clause] append expr [into var]
[Loop clause] appending expr [into var]
[Loop clause] nconc expr [into var]
[Loop clause] nconcing expr [into var]

```

These constructs are similar to **collect** except that the values of the specified expression must be lists.

The **append** keyword causes its list values to be concatenated into a single list, as if they were arguments to the Common Lisp function **append**.

The **nconc** keyword causes its list values to be concatenated into a single list, as if they were arguments to the Common Lisp function **nconc**. Note that the **nconc** keyword destructively modifies its argument lists.

The argument *var* is set to the list of concatenated values; if you specify *var*, the loop does not return the final list automatically. The *var* argument is bound as if by the construct **with**. You cannot specify a data type for *var*; it must be of type **list**.

Examples:

```
;;; Use APPEND to concatenate some sublists.
```

```
(loop for x in '(a) (b) ((c)))
  append x
⇒ (A B (C))
```

```
;;; NCONC some sublists together. Note that only lists
```

```
;;; made by the call to LIST are modified.
```

```
(loop for i upfrom 0
  as x in '(a b (c))
  nconc (if (evenp i) (list x) '()))
⇒ (A (C))
```

```

[Loop clause] count expr [into var] [type-spec]
[Loop clause] counting expr [into var] [type-spec]

```

The **count** construct counts the number of times that the specified expression has a non-**nil** value.

The argument *var* accumulates the number of occurrences; if *var* is specified, the loop does not return the final count automatically. The *var* argument is bound as if by the construct **with**.

If **into** *var* is used, the optional *type-spec* argument specifies a data type for *var*. If there is no **into** variable, the optional *type-spec* argument applies

to the internal variable that is keeping the count. In either case it is an error to specify a non-numeric data type. The default type is implementation-dependent, but it must be a subtype of (**or integer float**).

Example:

```
(loop for i in '(a b nil c nil d e)
      count i)
⇒ 5
```

*[Loop clause]* **sum** expr [**into** var] [type-spec]

*[Loop clause]* **summing** expr [**into** var] [type-spec]

The **sum** construct forms a cumulative sum of the values of the specified expression at each iteration.

The argument *var* is used to accumulate the sum; if *var* is specified, the loop does not return the final sum automatically. The *var* argument is bound as if by the construct **with**.

If **into** *var* is used, the optional *type-spec* argument specifies a data type for *var*. If there is no **into** variable, the optional *type-spec* argument applies to the internal variable that is keeping the sum. In either case it is an error to specify a non-numeric data type. The default type is implementation-dependent, but it must be a subtype of **number**.

Examples:

```
;;; Sum the elements of a list.
```

```
(loop for i fixnum in '(1 2 3 4 5)
      sum i)
⇒ 15
```

```
;;; Sum a function of elements of a list.
```

```
(setq series
      '(1.2 4.3 5.7))
⇒ (1.2 4.3 5.7)
```

```
(loop for v in series
      sum (* 2.0 v))
⇒ 22.4
```

*[Loop clause]* **maximize** expr [**into** var] [type-spec]

*[Loop clause]* **maximizing** expr [**into** var] [type-spec]

*[Loop clause]* **minimize** expr [**into** var] [type-spec]

*[Loop clause]* **minimizing** expr [**into** var] [type-spec]

The **maximize** construct compares the value of the specified expression obtained during the first iteration with values obtained in successive iterations. The maximum value encountered is determined and returned. If the loop never executes the body, the returned value is not meaningful.

The **minimize** construct is similar to **maximize**; it determines and returns the minimum value.

The argument *var* accumulates the maximum or minimum value; if *var* is specified, the loop does not return the maximum or minimum automatically. The *var* argument is bound as if by the construct **with**.

If **into** *var* is used, the optional *type-spec* argument specifies a data type for *var*. If there is no **into** variable, the optional *type-spec* argument applies to the internal variable that is keeping the intermediate result. In either case it is an error to specify a non-numeric data type. The default type is implementation-dependent, but it must be a subtype of (**or integer float**).

Examples:

```
(loop for i in '(2 1 5 3 4)
  maximize i)
⇒ 5
```

```
(loop for i in '(2 1 5 3 4)
      minimize i)
⇒ 1
```

;;; In this example, FIXNUM applies to the internal  
 ;;; variable that holds the maximum value.

```
(setq series '(1.2 4.3 5.7))
⇒ (1.2 4.3 5.7)
```

```
(loop for v in series
      maximize (round v) fixnum)
⇒ 6
```

;;; In this example, FIXNUM applies to the variable RESULT.

```
(loop for v float in series
      minimize (round v) into result fixnum
      finally (return result))
⇒ 1
```

## 26.16 Variable Initializations

## 26.17 Инициализация переменных

A local loop variable is one that exists only when the Loop Facility is invoked. At that time, the variables are declared and are initialized to some value. These local variables exist until loop iteration terminates, at which point they cease to exist. Implicitly variables are also established by iteration control clauses and the **into** preposition of accumulation clauses.

The loop keyword **with** designates a loop clause that allows you to declare and initialize variables that are local to a loop. The variables are initialized one time only; they can be initialized sequentially or in parallel.

By default, the **with** construct initializes variables sequentially; that is, one variable is assigned a value before the next expression is evaluated. However, by using the loop keyword **and** to join several **with** clauses, you can force initializations to occur in parallel; that is, all of the specified expres-

sions are evaluated, and the results are bound to the respective variables simultaneously.

Use sequential binding for making the initialization of some variables depend on the values of previously bound variables. For example, suppose you want to bind the variables **a**, **b**, and **c** in sequence:

```
(loop with a = 1
  with b = (+ a 2)
  with c = (+ b 3)
  with d = (+ c 4)
  return (list a b c d))
⇒ (1 3 6 10)
```

Если инициализация переменных зависит от предыдущих переменных, используйте последовательное связывание. Например, вы хотите последовательно связать переменные **a**, **b** и **c**:

```
(loop with a = 1
  with b = (+ a 2)
  with c = (+ b 3)
  with d = (+ c 4)
  return (list a b c d))
⇒ (1 3 6 10)
```

The execution of the preceding loop is equivalent to the execution of the following code:

```
(let* ((a 1)
      (b (+ a 2))
      (c (+ b 3))
      (d (+ c 4)))
  (block nil
    (tagbody
      next-loop (return (list a b c d))
                (go next-loop)
      end-loop)))
```

Предыдущий код эквивалентен такому:

```
(let* ((a 1)
      (b (+ a 2))
      (c (+ b 3))
      (d (+ c 4)))
  (block nil
    (tagbody
      next-loop (return (list a b c d))
        (go next-loop)
      end-loop))))
```

If you are not depending on the value of previously bound variables for the initialization of other local variables, you can use parallel bindings as follows:

```
(loop with a = 1
      and b = 2
      and c = 3
      and d = 4
      return (list a b c d))
⇒ (1 2 3 4)
```

Если последовательная инициализация не требуется, используйте параллельную:

```
(loop with a = 1
      and b = 2
      and c = 3
      and d = 4
      return (list a b c d))
⇒ (1 2 3 4)
```

The execution of the preceding loop is equivalent to the execution of the following code:

```
(let ((a 1)
      (b 2)
      (c 3)
      (d 4))
```



```
(block nil
  (tagbody
    next-loop (return (list a b c))
              (go next-loop)
    end-loop)))
```

Предыдущий код эквивалентен такому:

```
(let ((a 1)
      (b 2)
      (c 3)
      (d 4))
  (block nil
    (tagbody
      next-loop (return (list a b c))
                (go next-loop)
      end-loop)))
```

*[Loop clause]* **with** var [type-spec] [= expr] {**and** var [type-spec] [= expr]}\*

The **with** construct initializes variables that are local to a loop. The variables are initialized one time only.

Конструкция **with** инициализирует локальные переменные. Переменные инициализируются только один раз.

If the optional *type-spec* argument is specified for any variable *var*, but there is no related expression *expr* to be evaluated, *var* is initialized to an appropriate default value for its data type. For example, for the data types **t**, **number**, and **float**, the default values are **nil**, **0**, and **0.0**, respectively. It is an error to specify a *type-spec* argument for *var* if the related expression returns a value that is not of the specified type. The optional **and** clause forces parallel rather than sequential initializations.

Examples:

;;; These bindings occur in sequence.

```
(loop with a = 1
      with b = (+ a 2)
      with c = (+ b 3)
      with d = (+ c 4)
      return (list a b c d))
⇒ (1 3 6 10)
```

```
;;; These bindings occur in parallel.
```

```
(setq a 5 b 10 c 1729)
(loop with a = 1
      and b = (+ a 2)
      and c = (+ b 3)
      and d = (+ c 4)
      return (list a b c d))
⇒ (1 7 13 1733)
```

```
;;; This example shows a shorthand way to declare
```

```
;;; local variables that are of different types.
```

```
(loop with (a b c) (float integer float)
      return (format nil "~A ~A ~A" a b c))
⇒ "0.0 0 0.0"
```

```
;;; This example shows a shorthand way to declare
```

```
;;; local variables that are of the same type.
```

```
(loop with (a b c) float
      return (format nil "~A ~A ~A" a b c))
⇒ "0.0 0.0 0.0"
```

## 26.18 Conditional Execution

## 26.19 Условное выполнение

The loop keywords **if**, **when**, and **unless** designate constructs that are useful when you want some loop clauses to operate under a specified condition.

Ключевые символы **if**, **when** и **unless** обозначают конструкцию, которая полезна, когда вы хотите выполнить некоторые действия только при выполнении некоторого условия.

If the specified condition is true, the succeeding loop clause is executed. If the specified condition is not true, the succeeding clause is skipped, and program control moves to the clause that follows the loop keyword **else**. If the specified condition is not true and no **else** clause is specified, the entire conditional construct is skipped. Several clauses can be connected into one compound clause with the loop keyword **and**. The end of the conditional

clause can be marked with the keyword **end**.

Если условие истинно, выполняется следующее выражение. Если условие ложно, следующее выражение пропускается и выполнение переходит к выражению в ветке **else**. Если условие ложно и ветка **else** отсутствует, всё выражение просто пропускается. Несколько выражений могут объединены в одно с помощью **and**. Конец условного выражения можно обозначить символом **end**.

```
[Loop clause] if expr clause {and clause}*  
[else clause {and clause}*] [end]
```

```
[Loop clause] when expr clause {and clause}*  
[else clause {and clause}*] [end]
```

```
[Loop clause] unless expr clause {and clause}*  
[else clause {and clause}*] [end]
```

The constructs **when** and **if** allow conditional execution of loop clauses. These constructs are synonyms and can be used interchangeably.

Конструкции **when** и **if** выполняют действия в зависимости от условия. Эти конструкции являются синонимами и соответственно взаимозаменяемы.

If the value of the test expression *expr* is non-**nil**, the expression *clause1* is evaluated. If the test expression evaluates to **nil** and an **else** construct is specified, the statements that follow the **else** are evaluated; otherwise, control passes to the next clause.

Если значение условия *expr* не-**nil**, выполняется выражение *clause1*. Если условие возвращает **nil** и указана ветка **else** выполняются выражения в этой ветке, иначе выполнение переходит к следующему выражению.

The **unless** construct is equivalent to **when** (**not** *expr*) and **if** (**not** *expr*). If the value of the test expression *expr* is **nil**, the expression *clause1* is evaluated. If the test expression evaluates to non-**nil** and an **else** construct is specified, the statements that follow the **else** are evaluated; otherwise, control passes to the next clause. [Compare this to the *macro* **unless**, which does not allow an “else” part—or do I mean a “then” part?! Ugh. To prevent confusion, I strongly recommend as a matter of style that **else** not be used with **unless** loop clauses.—GLS]

Конструкция **unless** эквивалентна конструкциям **when** (**not** *expr*) и **if** (**not** *expr*). Если значение условия **nil**, выполняется выражение

*clause1*. Если условие не-**nil** выполняется ветка **else**, иначе выполнение переходит к следующей конструкции.

The *clause* arguments must be either accumulation, unconditional, or conditional clauses (see section 26.6.3). Clauses that follow the test expression can be grouped by using the loop keyword **and** to produce a compound clause.

Аргументы *clause* должны быть или накоплением значения, безусловным или условным выполнением (смотрите раздел 26.6.3). Выражения, которые следуют после условия, могут группироваться с помощью **and**.

The loop keyword **it** can be used to refer to the result of the test expression in a clause. If multiple clauses are connected with **and**, the **it** construct must be used in the first clause in the block. Since **it** is a loop keyword, **it** may not be used as a local variable within a loop.

Для ссылки на результат условия может использоваться символ **it**. Если выражения были сгруппированы с помощью **and**, **it** должна использоваться только в первом выражении в блоке. Таким образом **it** не может использоваться в качестве локальной переменной внутри **loop**.

If **when** or **if** clauses are nested, each **else** is paired with the closest preceding **when** or **if** construct that has no associated **else**.

Если **when** или **if** вложены, каждый **else** относится к ближайшему предшествующему **when** или **if**, у которого ещё не было **else**.

The optional loop keyword **end** marks the end of the clause. If this keyword is not specified, the next loop keyword marks the end. You can use **end** to distinguish the scoping of compound clauses.

```
;;; Group conditional clauses into a block.
(loop for i in numbers-list
  when (oddp i)
    do (print i)
    and collect i into odd-numbers
    and do (terpri)
  else ;I is even
    collect i into even-numbers
  finally
    (return (values odd-numbers even-numbers)))
```

```
;;; Collect numbers larger than 3.
(loop for i in '(1 2 3 4 5 6)
  when (and (> i 3) i)
  collect it) ;it refers to (and (> i 3) i)
⇒ (4 5 6)
```

```
;;; Find a number in a list.
(loop for i in '(1 2 3 4 5 6)
  when (and (> i 3) i)
  return it)
⇒ 4
```

```
;;; The preceding example is similar to the following one.
(loop for i in '(1 2 3 4 5 6)
  thereis (and (> i 3) i))
⇒ 4
```

```
;;; An example of using UNLESS with ELSE (yuk).
(loop for turtle in teenage-mutant-ninja-turtles do
  (loop for x in '(joker brainiac shredder crazy-kat)
    unless (evil x)
    do (eat (make-pizza :anchovies t))
    else unless (and (eq x 'shredder) (attacking-p x))
    do (cut turtle slack);When the evil Shredder attacks,
    else (fight turtle x))); those turtle boys don't cut no slack
```

—GLS

```
;;; Nest conditional clauses.
(loop for i in list
  when (numberp i)
  when (bignump i)
  collect i into big-numbers
  else ;Not (bignump i)
  collect i into other-numbers
  else ;Not (numberp i)
  when (symbolp i)
  collect i into symbol-list
  else ;Not (symbolp i)
  (error "found a funny value in list ~S, value ~S~%"
    "list i))
```

```

;;; Without the END marker, the last AND would apply to the
;;; inner IF rather than the outer one.
(loop for x from 0 to 3
  do (print x)
  if (zerop (mod x 2))
    do (princ " a")
    and if (zerop (floor x 2))
      do (princ " b")
    end
  and do (princ " c"))

```

Конец можно обозначить необязательным символом **end**. Если этот символ не указан, конструкция заканчивается там, где начинается следующая, обозначенная символом. Вы можете использовать **end** для ограничения пространство составных выражений.

```

;;; Группирует условные выражение в блок.
(loop for i in numbers-list
  when (oddp i)
    do (print i)
    and collect i into odd-numbers
    and do (terpri)
  else ;I is even
    collect i into even-numbers
  finally
    (return (values odd-numbers even-numbers)))

```

```

;;; Накапливает числа, большие чем 3.
(loop for i in '(1 2 3 4 5 6)
  when (and (> i 3) i)
  collect it) ;it ссылается на (and (> i 3) i)
⇒ (4 5 6)

```

```

;;; Ищет числа в списке.
(loop for i in '(1 2 3 4 5 6)
  when (and (> i 3) i)
  return it)
⇒ 4

```

;;; То же что и в предыдущем примере.

```
(loop for i in '(1 2 3 4 5 6)
      thereis (and (> i 3) i))
⇒ 4
```

;;; Пример использования UNLESS с ELSE.

—GLS

```
(loop for turtle in teenage-mutant-ninja-turtles do
  (loop for x in '(joker brainiac shredder crazy-kat)
        unless (evil x)
          do (eat (make-pizza :anchovies t))
        else unless (and (eq x 'shredder) (attacking-p x))
          do (cut turtle slack);Когда злой Шрёдер атакует,
            else (fight turtle x));эти черепашки-ниндзя дают ему отпор.
```

;;; Вложенные условные выражения.

```
(loop for i in list
      when (numberp i)
        when (bignump i)
          collect i into big-numbers
        else ;Not (bignump i)
          collect i into other-numbers
      else ;Not (numberp i)
        when (symbolp i)
          collect i into symbol-list
        else ;Not (symbolp i)
          (error "нашёл интересное значение в списке ~S, значение ~S~%"
                "list i))
```

;;; Без маркера END последнее AND должно примениться к

;;; внутреннему IF, а не к внешнему.

```
(loop for x from 0 to 3
      do (print x)
      if (zerop (mod x 2))
        do (princ " a")
          and if (zerop (floor x 2))
            do (princ " b")
          end
        and do (princ " c"))
```

## 26.20 Unconditional Execution

### 26.21 Безусловное выполнение

The loop construct **do** (or **doing**) takes one or more expressions and simply evaluates them in order.

The loop construct **return** takes one expression and returns its value. It is equivalent to the clause **do (return value)**.

Конструкция **do** (или **doing**) принимает одно или более выражений и просто их выполняет в исходном порядке.

Конструкция **return** принимает одно выражение и возвращает его значение. Оно эквивалентно такому выражению: **do (return value)**.

*[Loop clause]* **do** {expr}\*

*[Loop clause]* **doing** {expr}\*

The **do** construct simply evaluates the specified expressions wherever they occur in the expanded form of **loop**.

Конструкция **do** просто выполняет указанные выражения. Конструкция может быть использована в любом месте формы **loop**.

The *expr* argument can be any non-atomic Common Lisp form. Each *expr* is evaluated in every iteration.

Аргумент *expr* может быть любой неатомной Common Lisp'овой формой. Каждое выражение *expr* вычисляется на каждой итерации цикла.

The constructs **do**, **initially**, and **finally** are the only loop keywords that take an arbitrary number of forms and group them as if using an implicit **progn**. Because every loop clause must begin with a loop keyword, you would use the keyword **do** when no control action other than execution is required.

Только конструкции **do**, **initially** и **finally** принимают несколько форм и группируют их как неявный **progn**. Так как каждое выражение цикла **loop** начинается с ключевого символа, когда требуется просто выполнение некоторых действий, вы должны использовать ключевой символ **do**.

Examples:



```
;;; Print some numbers.  
(loop for i from 1 to 5  
  do (print i)) ;Prints 5 lines  
1  
2  
3  
4  
5  
⇒ NIL
```

```
;;; Print numbers and their squares.  
;;; The DO construct applies to multiple forms.  
(loop for i from 1 to 4  
  do (print i)  
    (print (* i i)) ;Prints 8 lines  
1  
1  
2  
4  
3  
9  
4  
16  
⇒ NIL
```

Примеры:

```
;;; Напечатает несколько чисел  
(loop for i from 1 to 5  
  do (print i)) ;Напечатает 5 строк  
1  
2  
3  
4  
5  
⇒ NIL
```

```

;;; Напечатает числа и их квадраты.
;;; Конструкция DO применяется к нескольким формам.
(loop for i from 1 to 4
      do (print i)
          (print (* i i)))                                ;Напечатает 8 строк
1
1
2
4
3
9
4
16
⇒ NIL

```

*[Loop clause]* **return** expr

The **return** construct terminates a loop and returns the value of the specified expression as the value of the loop. This construct is similar to the Common Lisp special operator **return-from** and the Common Lisp macro **return**.

The Loop Facility supports the **return** construct for backward compatibility with older **loop** implementations. The **return** construct returns immediately and does not execute any **finally** clause that is given.

Examples:

```

;;; Signal an exceptional condition.
(loop for item in '(1 2 3 a 4 5)
      when (not (numberp item))
        return (cerror "enter new value"
                      "non-numeric value: ~s"
                      item))                            ;Signals an error
»Error: non-numeric value: A

```

;;; The previous example is equivalent to the following one.

```
(loop for item in '(1 2 3 a 4 5)
      when (not (numberp item))
      do (return
          (cerror "enter new value"
                  "non-numeric value: ~s"
                  item))) ;Signals an error
»Error: non-numeric value: A
```

## 26.22 Miscellaneous Features

### 26.23 Дополнительные возможности

The Loop Facility provides the **named** construct to name a loop so that the Common Lisp special operator **return-from** can be used.

Для задания имени цикла используется конструкция **named**. Данное имя впоследствии можно использовать в **return-from**.

The loop keywords **initially** and **finally** designate loop constructs that cause expressions to be evaluated before and after the loop body, respectively.

Символы **initially** и **finally** обозначают выражения, которые будут выполнены перед и после тела цикла соответственно.

The code for any **initially** clauses is collected into one **progn** in the order in which the clauses appeared in the loop. The collected code is executed once in the loop prologue after any implicit variable initializations.

Выражения после всех **initially** собираются в один **progn** в исходном порядке. Сгруппированный код выполняется единожды перед началом итераций.

The code for any **finally** clauses is collected into one **progn** in the order in which the clauses appeared in the loop. The collected code is executed once in the loop epilogue before any implicit values are returned from the accumulation clauses. Explicit returns in the loop body, however, will exit the loop without executing the epilogue code.

Выражения после всех **finally** собираются в один **progn** в исходном порядке. Сгруппированный код выполняется единожды после выполнения всех итераций в эпилоге перед неявным возвратом значений. В случае явного выхода из цикла, эпилог не выполняется.

### 26.23.1 Data Types

### 26.23.2 Типы данных

Many loop constructs take a *type-spec* argument that allows you to specify certain data types for loop variables. While it is not necessary to specify a data type for any variable, by doing so you ensure that the variable has a correctly typed initial value. The type declaration is made available to the compiler for more efficient **loop** expansion. In some implementations, **fixnum** and **float** declarations are especially useful; the compiler notices them and emits more efficient code.

Многие конструкции принимают аргумент *type-spec*, который позволяет задать тип для переменной. Конечно в этом нет прямой необходимости, но декларации типов упрощают дальнейшую работу с программой. Декларация типов также помогает компилятору оптимизировать программу. Особенно это касается типов **fixnum** и **float**.

The *type-spec* argument has the following syntax:

```
type-spec ::= of-type d-type-spec
d-type-spec ::= type-specifier | (d-type-spec . d-type-spec)
```

A *type-specifier* in this syntax can be any Common Lisp type specifier. The *d-type-spec* argument is used for destructuring, as described in section 26.23.3. If the *d-type-spec* argument consists solely of the types **fixnum**, **float**, **t**, or **nil**, the **of-type** keyword is optional. The **of-type** construct is optional in these cases to provide backward compatibility; thus the following two expressions are the same:

```
;;; This expression uses the old syntax for type specifiers.
(loop for i fixnum upfrom 3 ...)
```

```
;;; This expression uses the new syntax for type specifiers.
(loop for i of-type fixnum upfrom 3 ...)
```

Аргумент *type-spec* выглядит так:

```
type-spec ::= of-type d-type-spec
d-type-spec ::= type-specifier | (d-type-spec . d-type-spec)
```

На месте *type-specifier* может быть любой спецификатор типа. Аргумент *d-type-spec* используется для деструктуризации, как написано в

разделе 26.23.3. Если аргумент *d-type-spec* состоит только из ключевых слов **fixnum**, **float**, **t** или **nil**, символ **of-type** необязателен. Это оставлено для обратной совместимости.

```
;;; Старый стиль кода.  
(loop for i fixnum upfrom 3 ...)
```

```
;;; Новый стиль кода.  
(loop for i of-type fixnum upfrom 3 ...)
```

### 26.23.3 Destructuring

Destructuring allows you to bind a set of variables to a corresponding set of values anywhere that you can normally bind a value to a single variable. During **loop** expansion, each variable in the variable list is matched with the values in the values list. If there are more variables in the variable list than there are values in the values list, the remaining variables are given a value of **nil**. If there are more values than variables listed, the extra values are discarded.

Suppose you want to assign values from a list to the variables **a**, **b**, and **c**. You could use one **for** clause to bind the variable **numlist** to the *car* of the specified expression, and then you could use another **for** clause to bind the variables **a**, **b**, and **c** sequentially.

```
;;; Collect values by using FOR constructs.  
(loop for numlist in '((1 2 4.0) (5 6 8.3) (8 9 10.4))  
      for a integer = (first numlist)  
      and for b integer = (second numlist)  
      and for c float = (third numlist)  
      collect (list c b a))  
⇒ ((4.0 2 1) (8.3 6 5) (10.4 9 8))
```

Destructuring makes this process easier by allowing the variables to be bound in parallel in each loop iteration. You can declare data types by using a list of *type-spec* arguments. If all the types are the same, you can use a shorthand destructuring syntax, as the second example following illustrates.

```

;;; Destructuring simplifies the process.
(loop for (a b c) (integer integer float) in
  '((1 2 4.0) (5 6 8.3) (8 9 10.4))
  collect (list c b a)))
⇒ ((4.0 2 1) (8.3 6 5) (10.4 9 8))

```

```

;;; If all the types are the same, this way is even simpler.
(loop for (a b c) float in
  '((1.0 2.0 4.0) (5.0 6.0 8.3) (8.0 9.0 10.4))
  collect (list c b a))
⇒ ((4.0 2.0 1.0) (8.3 6.0 5.0) (10.4 9.0 8.0))

```

If you use destructuring to declare or initialize a number of groups of variables into types, you can use the loop keyword **and** to simplify the process further.

```

;;; Initialize and declare variables in parallel
;;; by using the AND construct.
(loop with (a b) float = '(1.0 2.0)
  and (c d) integer = '(3 4)
  and (e f)
  return (list a b c d e f))
⇒ (1.0 2.0 3 4 NIL NIL)

```

A data type specifier for a destructuring pattern is a tree of type specifiers with the same shape as the tree of variables, with the following exceptions:

- When aligning the trees, an atom in the type specifier tree that matches a cons in the variable tree declares the same type for each variable.
- A cons in the type specifier tree that matches an atom in the variable tree is a non-atomic type specifier.

```

;;; Declare X and Y to be of type VECTOR and FIXNUM, respectively.
(loop for (x y) of-type (vector fixnum) in my-list do ...)

```

If **nil** is used in a destructuring list, no variable is provided for its place.

```

(loop for (a nil b) = '(1 2 3)
  do (return (list a b)))
⇒ (1 3)

```

Note that nonstandard lists can specify destructuring.

```
(loop for (x . y) = '(1 . 2)
      do (return y))
⇒ 2
```

```
(loop for ((a . b) (c . d))
      of-type ((float . float) (integer . integer))
      in '(((1.2 . 2.4) (3 . 4)) ((3.4 . 4.6) (5 . 6)))
      collect (list a b c d))
⇒ ((1.2 2.4 3 4) (3.4 4.6 5 6))
```

[It is worth noting that the destructuring facility of **loop** predates, and differs in some details from, that of **destructuring-bind**, an extension that has been provided by many implementors of Common Lisp.—GLS]

*[Loop clause]* **initially** {expr}\*

*[Loop clause]* **finally** [**do** | **doing**] {expr}\*

*[Loop clause]* **finally return** expr

The **initially** construct causes the specified expression to be evaluated in the loop prologue, which precedes all loop code except for initial settings specified by constructs **with**, **for**, or **as**. The **finally** construct causes the specified expression to be evaluated in the loop epilogue after normal iteration terminates.

The *expr* argument can be any non-atomic Common Lisp form.

Clauses such as **return**, **always**, **never**, and **thereis** can bypass the **finally** clause.

The Common Lisp macro **return** (or the **return** loop construct) can be used after **finally** to return values from a loop. The evaluation of the **return** form inside the **finally** clause takes precedence over returning the accumulation from clauses specified by such keywords as **collect**, **nconc**, **append**, **sum**, **count**, **maximize**, and **minimize**; the accumulation values for these pre-empted clauses are not returned by the loop if **return** is used.

The constructs **do**, **initially**, and **finally** are the only loop keywords that take an arbitrary number of (non-atomic) forms and group them as if by using an implicit **progn**.

Examples:

```
;;; This example parses a simple printed string representation
;;; from BUFFER (which is itself a string) and returns the
;;; index of the closing double-quote character.
```

```
(loop initially (unless (char= (char buffer 0) #\")
                      (loop-finish))
        for i fixnum from 1 below (string-length buffer)
        when (char= (char buffer i) #\")
        return i)
```

```
;;; The FINALLY clause prints the last value of I.
;;; The collected value is returned.
```

```
(loop for i from 1 to 10
      when (> i 5)
      collect i
      finally (print i)) ;Prints 1 line
11
⇒ (6 7 8 9 10)
```

```
;;; Return both the count of collected numbers
;;; as well as the numbers themselves.
```

```
(loop for i from 1 to 10
      when (> i 5)
      collect i into number-list
      and count i into number-count
      finally (return (values number-count number-list)))
⇒ 5 and (6 7 8 9 10)
```

*[Loop clause]* **named** name

The **named** construct allows you to assign a name to a **loop** construct so that you can use the Common Lisp special operator **return-from** to exit the named loop.

Only one name may be assigned per loop; the specified name becomes the name of the implicit block for the loop.



If used, the **named** construct must be the first clause in the loop expression, coming right after the word **loop**.

Example:

```
;;; Just name and return.  
(loop named max  
  for i from 1 to 10  
  do (print i)  
  do (return-from max 'done)) ;Prints 1 line  
1  
⇒ DONE
```



# Chapter 27

## Pretty Printing

Author: Richard C. Waters

preface: X3J13 voted in January 1989 to adopt a facility for user-controlled pretty printing as a part of the forthcoming draft Common Lisp standard. This facility is the culmination of thirteen years of design, testing, revision, and use of this approach.

This chapter presents the bulk of the Common Lisp pretty printing specification, written by Richard C. Waters. I have edited it only very lightly to conform to the overall style of this book.

—Guy L. Steele Jr.

### 27.1 Introduction

Pretty printing has traditionally been a black box process, displaying program code using a set of fixed layout rules. Its utility can be greatly enhanced by opening it up to user control. The facilities described in this chapter provide general and powerful means for specifying pretty-printing behavior.

By providing direct access to the mechanisms within the pretty printer that make dynamic decisions about layout, the macros and functions **pprint-logical-block**, **pprint-newline**, and **pprint-indent** make it possible to specify pretty printing layout rules as a part of any function that produces output. They also make it very easy for the function to support detection of circularity and sharing and abbreviation based on length and nesting depth. Using the function **set-pprint-dispatch**, one can associate a user-defined pretty printing function with any type of object. A small set of new **for-**

**mat** directives allows concise implementation of user-defined pretty-printing functions. Together, these facilities enable users to redefine the way code is displayed and allow the full power of pretty printing to be applied to complex combinations of data structures.

---

**Implementation note:** This chapter describes the interface of the XP pretty printer. XP is described fully in [54], which also explains how to obtain a portable implementation. XP uses a highly efficient linear-time algorithm. When properly integrated into a Common Lisp, this algorithm supports pretty printing that is only fractionally slower than ordinary printing.

---

## 27.2 Pretty Printing Control Variables

The function **write** accepts keyword arguments named **:pprint-dispatch**, **:miser-width**, **:right-margin**, and **:lines**, corresponding to these variables.

*[Variable]* **\*print-pprint-dispatch\***

When **\*print-pretty\*** is not **nil**, printing is controlled by the ‘pprint dispatch table’ stored in the variable **\*print-pprint-dispatch\***. The initial value of **\*print-pprint-dispatch\*** is implementation-dependent and causes traditional pretty printing of Lisp code. The last section of this chapter explains how the contents of this table can be changed.

*[Variable]* **\*print-right-margin\***

A primary goal of pretty printing is to keep the output between a pair of margins. The left margin is set at the column where the output begins. If this cannot be determined, the left margin is set to zero.

When **\*print-right-margin\*** is not **nil**, it specifies the right margin to use when making layout decisions. When **\*print-right-margin\*** is **nil** (the initial value), the right margin is set at the maximum line length that can be displayed by the output stream without wraparound or truncation. If this cannot be determined, the right margin is set to an implementation-dependent value.

To allow for the possibility of variable-width fonts, **\*print-right-margin\*** is in units of ems—the width of an “m” in the font being used to display characters on the relevant output stream at the moment when the variables are consulted.

[Variable] **\*print-miser-width\***

If **\*print-miser-width\*** is not **nil**, the pretty printer switches to a compact style of output (called miser style) whenever the width available for printing a substructure is less than or equal to **\*print-miser-width\*** ems. The initial value of **\*print-miser-width\*** is implementation-dependent.

[Variable] **\*print-lines\***

When given a value other than its initial value of **nil**, **\*print-lines\*** limits the number of output lines produced when something is pretty printed. If an attempt is made to go beyond **\*print-lines\*** lines, “ ..” (a space and two periods) is printed at the end of the last line followed by all of the suffixes (closing delimiters) that are pending to be printed.

```
(let ((*print-right-margin* 25) (*print-lines* 3))
  (pprint '(progn (setq a 1 b 2 c 3 d 4))))
```

```
(PROGN (SETQ A 1
          B 2
          C 3 ..))
```

(The symbol “..” is printed out to ensure that a reader error will occur if the output is later read. A symbol different from “...” is used to indicate that a different kind of abbreviation has occurred.)

## 27.3 Dynamic Control of the Arrangement of Output

The following functions and macros support precise control of what should be done when a piece of output is too large to fit in the space available. Three concepts underlie the way these operations work: *logical blocks*, *conditional newlines*, and *sections*. Before proceeding further, it is important to define these terms.

The first line of figure 27.1 shows a schematic piece of output. The characters in the output are represented by hyphens. The positions of conditional newlines are indicated by digits. The beginnings and ends of logical blocks are indicated in the figure by “<” and “>” respectively.

Figure 27.1: Example of Logical Blocks, Conditional Newlines, and Sections

```

<-1-<-<-2-3->-4->->
00000000000000000000000000000000
11 111111111111111111111111111111
    22 222
      333 3333
        4444444444444444 44444

```

The output as a whole is a logical block and the outermost section. This section is indicated by the **0**'s on the second line of figure 27.1. Logical blocks nested within the output are specified by the macro **pprint-logical-block**. Conditional newline positions are specified by calls on **pprint-newline**. Each conditional newline defines two sections (one before it and one after it) and is associated with a third (the section immediately containing it).

The section after a conditional newline consists of all the output up to, but not including, (a) the next conditional newline immediately contained in the same logical block; or if (a) is not applicable, (b) the next newline that is at a lesser level of nesting in logical blocks; or if (b) is not applicable, (c) the end of the output.

The section before a conditional newline consists of all the output back to, but not including, (a) the previous conditional newline that is immediately contained in the same logical block; or if (a) is not applicable, (b) the beginning of the immediately containing logical block. The last four lines in figure 27.1 indicate the sections before and after the four conditional newlines.

The section immediately containing a conditional newline is the shortest section that contains the conditional newline in question. In figure 27.1, the first conditional newline is immediately contained in the section marked with **0**'s, the second and third conditional newlines are immediately contained in the section before the fourth conditional newline, and the fourth conditional newline is immediately contained in the section after the first conditional newline.

Whenever possible, the pretty printer displays the entire contents of a section on a single line. However, if the section is too long to fit in the space

available, line breaks are inserted at conditional newline positions within the section.

[Function] **pprint-newline** *kind* &optional *stream*

The *stream* (which defaults to **\*standard-output\***) follows the standard conventions for stream arguments to printing functions (that is, **nil** stands for **\*standard-output\*** and **t** stands for **\*terminal-io\***). The *kind* argument specifies the style of conditional newline. It must be one of **:linear**, **:fill**, **:miser**, or **:mandatory**. An error is signaled if any other value is supplied. If *stream* is a pretty printing stream created by **pprint-logical-block**, a line break is inserted in the output when the appropriate condition below is satisfied. Otherwise, **pprint-newline** has no effect. The value **nil** is always returned.

If *kind* is **:linear**, it specifies a ‘linear-style’ conditional newline. A line break is inserted if and only if the immediately containing section cannot be printed on one line. The effect of this is that line breaks are either inserted at every linear-style conditional newline in a logical block or at none of them.

If *kind* is **:miser**, it specifies a ‘miser-style’ conditional newline. A line break is inserted if and only if the immediately containing section cannot be printed on one line and miser style is in effect in the immediately containing logical block. The effect of this is that miser-style conditional newlines act like linear-style conditional newlines, but only when miser style is in effect. Miser style is in effect for a logical block if and only if the starting position of the logical block is less than or equal to **\*print-miser-width\*** from the right margin.

If *kind* is **:fill**, it specifies a ‘fill-style’ conditional newline. A line break is inserted if and only if either (a) the following section cannot be printed on the end of the current line, (b) the preceding section was not printed on a single line, or (c) the immediately containing section cannot be printed on one line and miser style is in effect in the immediately containing logical block. If a logical block is broken up into a number of subsections by fill-style conditional newlines, the basic effect is that the logical block is printed with as many subsections as possible on each line. However, if miser style is in effect, fill-style conditional newlines act like linear-style conditional newlines.

If *kind* is **:mandatory**, it specifies a ‘mandatory-style’ conditional newline. A line break is always inserted. This implies that none of the containing

sections can be printed on a single line and will therefore trigger the insertion of line breaks at linear-style conditional newlines in these sections.

When a line break is inserted by any type of conditional newline, any blanks that immediately precede the conditional newline are omitted from the output and indentation is introduced at the beginning of the next line. By default, the indentation causes the following line to begin in the same horizontal position as the first character in the immediately containing logical block. (The indentation can be changed via **pprint-indent**.)

There are a variety of ways *unconditional* newlines can be introduced into the output (for example, via **terpri** or by printing a string containing a newline character). As with mandatory conditional newlines, this prevents any of the containing sections from being printed on one line. In general, when an unconditional newline is encountered, it is printed out without suppression of the preceding blanks and without any indentation following it. However, if a per-line prefix has been specified (see **pprint-logical-block**), that prefix will always be printed no matter how a newline originates.

```
[Macro] pprint-logical-block (stream-symbol list
  [[{:prefix | :per-line-prefix} p | :suffix s]])
  {form}*
```

This macro causes printing to be grouped into a logical block. It returns **nil**.

The *stream-symbol* must be a symbol. If it is **nil**, it is treated the same as if it were **\*standard-output\***. If it is **t**, it is treated the same as if it were **\*terminal-io\***. The run-time value of *stream-symbol* must be a stream (or **nil** standing for **\*standard-output\*** or **t** standing for **\*terminal-io\***). The logical block is printed into this destination stream.

The body (which consists of the *forms*) can contain any arbitrary Lisp forms. Within the body, *stream-symbol* (or **\*standard-output\*** if *stream-symbol* is **nil**, or **\*terminal-io\*** if *stream-symbol* is **t**) is bound to a “pretty printing” stream that supports decisions about the arrangement of output and then forwards the output to the destination stream. All the standard printing functions (for example, **write**, **princ**, **terpri**) can be used to send output to the pretty printing stream created by **pprint-logical-block**. All and only the output sent to this pretty printing stream is treated as being in the logical block.

**pprint-logical-block** and the pretty printing stream it creates have dynamic extent. It is undefined what happens if output is attempted outside



of this extent to the pretty printing stream created. It is unspecified what happens if, within this extent, any output is sent directly to the underlying destination stream (by calling **write-char**, for example).

The **:suffix**, **:prefix**, and **:per-line-prefix** arguments must all be expressions that (at run time) evaluate to strings. The **:suffix** argument *s* (which defaults to the null string) specifies a suffix that is printed just after the logical block. The **:prefix** and **:per-line-prefix** arguments are mutually exclusive. If neither **:prefix** nor **:per-line-prefix** is specified, a **:prefix** of the null string is assumed. The **:prefix** argument specifies a prefix *p* that is printed before the beginning of the logical block. The **:per-line-prefix** specifies a prefix *p* that is printed before the block and at the beginning of each subsequent line in the block. An error is signaled if **:prefix** and **:per-line-prefix** are both used or if a **:suffix**, **:prefix**, or **:pre-line-prefix** argument does not evaluate to a string.

The *list* is interpreted as being a list that the body is responsible for printing. (See **pprint-exit-if-list-exhausted** and **pprint-pop**.) If *list* does not (at run time) evaluate to a list, it is printed using **write**. (This makes it easier to write printing functions that are robust in the face of malformed arguments.) If **\*print-circle\*** (and possibly also **\*print-shared\***) is not **nil** and *list* is a circular (or shared) reference to a cons, then an appropriate “**#n#**” marker is printed. (This makes it easy to write printing functions that provide full support for circularity and sharing abbreviation.) If **\*print-level\*** is not **nil** and the logical block is at a dynamic nesting depth of greater than **\*print-level\*** in logical blocks, “**#**” is printed. (This makes it easy to write printing functions that provide full support for depth abbreviation.)

If any of the three preceding conditions occurs, the indicated output is printed on *stream-symbol* and the *body* is skipped along with the printing of the prefix and suffix. (If the body is not responsible for printing a list, then the first two tests above can be turned off by supplying **nil** for the *list* argument.)

In addition to the *list* argument of **pprint-logical-block**, the arguments of the standard printing functions such as **write**, **print**, **pprint**, **print1**, and **pprint**, as well as the arguments of the standard **format** directives such as **~A**, **~S**, (and **~W**) are all checked (when necessary) for circularity and sharing. However, such checking is not applied to the arguments of the functions **write-line**, **write-string**, and **write-char** or to the literal text output by **format**. A consequence of this is that you must use one of the latter functions if you want to print some literal text in the output that is not

supposed to be checked for circularity or sharing. (See the examples below.)

---

**Implementation note:** Detection of circularity and sharing is supported by the pretty printer by in essence performing the requested output twice. On the first pass, circularities and sharing are detected and the actual outputting of characters is suppressed. On the second pass, the appropriate “#n=” and “#n#” markers are inserted and characters are output.

A consequence of this two-pass approach to the detection of circularity and sharing is that the body of a **pprint-logical-block** must not perform any side-effects on the surrounding environment. This includes not modifying any variables that are bound outside of its scope. Obeying this restriction is facilitated by using **pprint-pop**, instead of an ordinary **pop** when traversing a list being printed by the body of a **pprint-logical-block**.)

---

*[Macro]* **pprint-exit-if-list-exhausted**

**pprint-exit-if-list-exhausted** tests whether or not the *list* argument of **pprint-logical-block** has been exhausted (see **pprint-pop**). If this list has been reduced to **nil**, **pprint-exit-if-list-exhausted** terminates the execution of the immediately containing **pprint-logical-block** except for the printing of the suffix. Otherwise **pprint-exit-if-list-exhausted** returns **nil**. An error message is issued if **pprint-exit-if-list-exhausted** is used anywhere other than syntactically nested within a call on **pprint-logical-block**. It is undefined what happens if **pprint-pop** is executed outside of the dynamic extent of this **pprint-logical-block**.

*[Macro]* **pprint-pop**

**pprint-pop** pops elements one at a time off the *list* argument of **pprint-logical-block**, taking care to obey **\*print-length\***, **\*print-circle\***, and **\*print-shared\***. An error message is issued if it is used anywhere other than syntactically nested within a call on **pprint-logical-block**. It is undefined what happens if **pprint-pop** is executed outside of the dynamic extent of this call on **pprint-logical-block**.

Each time **pprint-pop** is called, it pops the next value off the *list* argument of **pprint-logical-block** and returns it. However, before doing this, it performs three tests. If the remaining list is not a list (neither a cons nor **nil**), “. ” is printed followed by the remaining list. (This makes it easier to write printing functions that are robust in the face of malformed arguments.) If **\*print-length\*** is **nil** and **pprint-pop** has already been called

**\*print-length\*** times within the immediately containing logical block, “...” is printed. (This makes it easy to write printing functions that properly handle **\*print-length\***.) If **\*print-circle\*** (and possibly also **\*print-shared\***) is not **nil**, and the remaining list is a circular (or shared) reference, then “.” is printed followed by an appropriate “#*n*#” marker. (This catches instances of cdr circularity and sharing in lists.)

If any of the three preceding conditions occurs, the indicated output is printed on the pretty printing stream created by the immediately containing **pprint-logical-block** and the execution of the immediately containing **pprint-logical-block** is terminated except for the printing of the suffix.

If **pprint-logical-block** is given a *list* argument of **nil**—because it is not processing a list—**pprint-pop** can still be used to obtain support for **\*print-length\*** (see the example function **pprint-vector** below). In this situation, the first and third tests above are disabled and **pprint-pop** always returns **nil**.

[Function] **pprint-indent** *relative-to* *n* &optional *stream*

**pprint-indent** specifies the indentation to use in a logical block. *Stream* (which defaults to **\*standard-output\***) follows the standard conventions for stream arguments to printing functions. The argument *n* specifies the indentation in ems. If *relative-to* is **:block**, the indentation is set to the horizontal position of the first character in the block plus *n* ems. If *relative-to* is **:current**, the indentation is set to the current output position plus *n* ems.

The argument *n* can be negative; however, the total indentation cannot be moved left of the beginning of the line or left of the end of the rightmost per-line prefix. Changes in indentation caused by **pprint-indent** do not take effect until after the next line break. In addition, in miser mode all calls on **pprint-indent** are ignored, forcing the lines corresponding to the logical block to line up under the first character in the block.

An error is signaled if a value other than **:block** or **:current** is supplied for *relative-to*. If *stream* is a pretty printing stream created by **pprint-logical-block**, **pprint-indent** sets the indentation in the innermost dynamically enclosing logical block. Otherwise, **pprint-indent** has no effect. The value **nil** is always returned.

[Function] **pprint-tab** *kind colnum colinc &optional stream*

**pprint-tab** specifies tabbing as performed by the standard **format** directive  $\sim\mathbf{T}$ . *Stream* (which defaults to **\*standard-output\***) follows the standard conventions for stream arguments to printing functions. The arguments *colnum* and *colinc* correspond to the two parameters to  $\sim\mathbf{T}$  and are in terms of ems. The *kind* argument specifies the style of tabbing. It must be one of **:line** (tab as by  $\sim\mathbf{T}$ ) **:section** (tab as by  $\sim\mathbf{T}$ , but measuring horizontal positions relative to the start of the dynamically enclosing section), **:line-relative** (tab as by  $\sim\mathbf{@T}$ ), or **:section-relative** (tab as by  $\sim\mathbf{@T}$ , but measuring horizontal positions relative to the start of the dynamically enclosing section). An error is signaled if any other value is supplied for *kind*. If *stream* is a pretty printing stream created by **pprint-logical-block**, tabbing is performed. Otherwise, **pprint-tab** has no effect. The value **nil** is always returned.

[Function] **pprint-fill** *stream list &optional colon? atsign?*

[Function] **pprint-linear** *stream list &optional colon? atsign?*

[Function] **pprint-tabular** *stream list &optional colon? atsign? tabsize*

These three functions specify particular ways of pretty printing lists. *Stream* follows the standard conventions for stream arguments to printing functions. Each function prints parentheses around the output if and only if *colon?* (default **t**) is not **nil**. Each function ignores its *atsign?* argument and returns **nil**. (These two arguments are included in this way so that these functions can be used via  $\sim/.../$  and as **set-pprint-dispatch** functions as well as directly.) Each function handles abbreviation and the detection of circularity and sharing correctly and uses **write** to print *list* when given a non-list argument.

The function **pprint-linear** prints a list either all on one line or with each element on a separate line. The function **pprint-fill** prints a list with as many elements as possible on each line. The function **pprint-tabular** is the same as **pprint-fill** except that it prints the elements so that they line up in columns. This function takes an additional argument **tabsize** (default 16) that specifies the column spacing in ems.

As an example of the interaction of logical blocks, conditional newlines, and indentation, consider the function **pprint-defun** below. This function pretty prints a list whose *car* is **defun** in the standard way assuming that the length of the list is exactly 4.

;;; Pretty printer function for DEFUN forms.

```
(defun pprint-defun (list)
  (pprint-logical-block (nil list :prefix "(" :suffix ")")
    (write (first list))
    (write-char #\space)
    (pprint-newline :miser)
    (pprint-indent :current 0)
    (write (second list))
    (write-char #\space)
    (pprint-newline :fill)
    (write (third list))
    (pprint-indent :block 1)
    (write-char #\space)
    (pprint-newline :linear)
    (write (fourth list))))
```

Suppose that one evaluates the following:

```
(pprint-defun '(defun prod (x y) (* x y)))
```

If the line width available is greater than or equal to 26, all of the output appears on one line. If the width is reduced to 25, a line break is inserted at the linear-style conditional newline before **(\* X Y)**, producing the output shown below. The **(pprint-indent :block 1)** causes **(\* X Y)** to be printed at a relative indentation of 1 in the logical block.

```
(DEFUN PROD (X Y)
  (* X Y))
```

If the width is 15, a line break is also inserted at the fill-style conditional newline before the argument list. The argument list lines up under the function name because of the call on **(pprint-indent :current 0)** before the printing of the function name.

```
(DEFUN PROD
  (X Y)
  (* X Y))
```

If **\*print-miser-width\*** were greater than or equal to 14, the output would have been entirely in miser mode. All indentation changes are ignored

in miser mode and line breaks are inserted at miser-style conditional newlines. The result would have been as follows:

```
(DEFUN
  PROD
  (X Y)
  (* X Y))
```

As an example of the use of a per-line prefix, consider that evaluating the expression

```
(pprint-logical-block (nil nil :per-line-prefix ";;; ")
  (pprint-defun '(defun prod (x y) (* x y))))
```

produces the output

```
;;; (DEFUN PROD
;;;   (X Y)
;;;   (* X Y))
```

with a line width of 20 and **nil** as the value of the printer control variable **\*print-miser-width\***.

(If **\*print-miser-width\*** were not **nil** the output

```
;;; (DEFUN
;;;  PROD
;;;  (X Y)
;;;  (* X Y))
```

might appear instead.)

As a more complex (and realistic) example, consider the function **pprint-let** below. This specifies how to pretty print a **let** in the standard style. It is more complex than **pprint-defun** because it has to deal with nested structure. Also, unlike **pprint-defun**, it contains complete code to print readably any possible list that begins with the symbol **let**. The outermost **pprint-logical-block** handles the printing of the input list as a whole and specifies that parentheses should be printed in the output. The second **pprint-logical-block** handles the list of binding pairs. Each pair in the list is itself printed by the innermost **pprint-logical-block**. (A **loop** is used instead of merely decomposing the pair into two elements so that readable output will be produced no matter whether the list corresponding to the pair has one

element, two elements, or (being malformed) has more than two elements.) A space and a fill-style conditional newline are placed after each pair except the last. The loop at the end of the topmost **pprint-logical-block** prints out the forms in the body of the **let** separated by spaces and linear-style conditional newlines.

```
;;; Pretty printer function for LET forms,
;;; carefully coded to handle malformed binding pairs.
```

```
(defun pprint-let (list)
  (pprint-logical-block (nil list :prefix "(" :suffix ")")
    (write (pprint-pop))
    (pprint-exit-if-list-exhausted)
    (write-char #\space)
    (pprint-logical-block
      (nil (pprint-pop) :prefix "(" :suffix ")")
      (pprint-exit-if-list-exhausted)
      (loop (pprint-logical-block
        (nil (pprint-pop) :prefix "(" :suffix ")")
        (pprint-exit-if-list-exhausted)
        (loop (write (pprint-pop))
          (pprint-exit-if-list-exhausted)
          (write-char #\space)
          (pprint-newline :linear))))
        (pprint-exit-if-list-exhausted)
        (write-char #\space)
        (pprint-newline :fill)))
      (pprint-indent :block 1)
      (loop (pprint-exit-if-list-exhausted)
        (write-char #\space)
        (pprint-newline :linear)
        (write (pprint-pop))))))
```

Suppose that the following is evaluated with **\*print-level\*** having the value **4** and **\*print-circle\*** having the value **t**.

```
(pprint-let '#1=(let (x (*print-length* (f (g 3)))
  (z . 2) (k (car y)))
  (setq x (sqrt z)) #1#))
```

If the line length is greater than or equal to 77, the output produced appears on one line. However, if the line length is 76, line breaks are inserted at the linear-style conditional newlines separating the forms in the body and the output below is produced. Note that the degenerate binding pair **X** is printed readably even though it fails to be a list; a depth abbreviation marker is printed in place of (**G 3**); the binding pair (**Z . 2**) is printed readably even though it is not a proper list; and appropriate circularity markers are printed.

```
#1=(LET (X (*PRINT-LENGTH* (F #)) (Z . 2) (K (CAR Y)))
      (SETQ X (SQRT Z))
      #1#)
```

If the line length is reduced to 35, a line break is inserted at one of the fill-style conditional newlines separating the binding pairs.

```
#1=(LET (X (*PRINT-PRETTY* (F #))
          (Z . 2) (K (CAR Y)))
      (SETQ X (SQRT Z))
      #1#)
```

Suppose that the line length is further reduced to 22 and **\*print-length\*** is set to 3. In this situation, line breaks are inserted after both the first and second binding pairs. In addition, the second binding pair is itself broken across two lines. Clause (b) of the description of fill-style conditional newlines prevents the binding pair (**Z . 2**) from being printed at the end of the third line. Note that the length abbreviation hides the circularity from view and therefore the printing of circularity markers disappears.

```
(LET (X
      (*PRINT-LENGTH*
       (F #))
      (Z . 2) ...)
  (SETQ X (SQRT Z))
  ...)
```

The function **pprint-tabular** could be defined as follows:



### 27.3. DYNAMIC CONTROL OF THE ARRANGEMENT OF OUTPUT 811

```
(defun pprint-tabular (s list &optional (c? t) a? (size 16))
  (declare (ignore a?))
  (pprint-logical-block
    (s list :prefix (if c? "(" " ") :suffix (if c? ")" " "))
    (pprint-exit-if-list-exhausted)
    (loop (write (pprint-pop) :stream s)
          (pprint-exit-if-list-exhausted)
          (write-char #\space s)
          (pprint-tab :section-relative 0 size s)
          (pprint-newline :fill s))))
```

Evaluating the following with a line length of 25 produces the output shown.

```
(princ "Roads ")
(pprint-tabular nil '(elm main maple center) nil nil 8)
```

```
Roads ELM    MAIN
      MAPLE  CENTER
```

The function below prints a vector using `#(...)` notation.

```
(defun pprint-vector (v)
  (pprint-logical-block (nil nil :prefix "#(" :suffix ")")
    (let ((end (length v)) (i 0))
      (when (plusp end)
        (loop (pprint-pop)
              (write (aref v i))
              (if (= (incf i) end) (return nil))
              (write-char #\space)
              (pprint-newline :fill))))))
```

Evaluating the following with a line length of 15 produces the output shown.

```
(pprint-vector '#(12 34 567 8 9012 34 567 89 0 1 23))
```

```
#(12 34 567 8
   9012 34 567
   89 0 1 23)
```

## 27.4 Format Directive Interface

The primary interface to operations for dynamically determining the arrangement of output is provided through the functions above. However, an additional interface is provided via a set of format directives because, as shown by the examples in this section and the next, **format** strings are typically a much more compact way to specify pretty printing. In addition, without such an interface, one would have to abandon the use of **format** when interacting with the pretty printer.

**~W** *Write*. An *arg*, any Lisp object, is printed obeying *every* printer control variable (as by **write**). In addition, **~W** interacts correctly with depth abbreviation by not resetting the depth counter to zero. **~W** does not accept parameters. If given the colon modifier, **~W** binds **\*print-pretty\*** to *t*. If given the atsign modifier, **~W** binds **\*print-level\*** and **\*print-length\*** to **nil**.

**~W** provides automatic support for circularity detection. If **\*print-circle\*** (and possibly also **\*print-shared\***) is not **nil** and **~W** is applied to an argument that is a circular (or shared) reference, an appropriate “#*n*#” marker is inserted in the output instead of printing the argument.

**~\_** *Conditional newline*. Without any modifiers, **~\_** is equivalent to (**pprint-newline :linear**). The directive **~@\_** is equivalent to (**pprint-newline :miser**). The directive **~:\_** is equivalent to (**pprint-newline :fill**). The directive **~:@\_** is equivalent to (**pprint-newline :mandatory**).

**~<str~:>** *Logical block*. If **~:>** is used to terminate a **~<...~:>** directive, the directive is equivalent to a call on **pprint-logical-block**. The **format** argument corresponding to the **~<...~:>** directive is treated in the same way as the *list* argument to **pprint-logical-block**, thereby providing automatic support for non-list arguments and the detection of circularity, sharing, and depth abbreviation. The portion of the **format** control string nested within the **~<...~:>** specifies the **:prefix** (or **:per-line-prefix**), **:suffix**, and body of the **pprint-logical-block**.

The **format** string portion enclosed by **~<...~:>** can be divided into segments **~<prefix~;body~;suffix~:>** by **~;** directives. If the first

section is terminated by `~@;`, it specifies a per-line prefix rather than a simple prefix. The prefix and suffix cannot contain **format** directives. An error is signaled if either the prefix or suffix fails to be a constant string or if the enclosed portion is divided into more than three segments.

If the enclosed portion is divided into only two segments, the suffix defaults to the null string. If the enclosed portion consists of only a single segment, both the prefix and the suffix default to the null string. If the colon modifier is used (that is, `~:<...~:>`), the prefix and suffix default to "(" and ")", respectively, instead of the null string.

The body segment can be any arbitrary **format** control string. This **format** control string is applied to the elements of the list corresponding to the `~<...~:>` directive as a whole. Elements are extracted from this list using **pprint-pop**, thereby providing automatic support for malformed lists and the detection of circularity, sharing, and length abbreviation. Within the body segment, `~^` acts like **pprint-exit-if-list-exhausted**.

`~<...~:>` supports a feature not supported by **pprint-logical-block**. If `~:@>` is used to terminate the directive (that is, `~<...~:@>`), then a fill-style conditional newline is automatically inserted after each group of blanks immediately contained in the body (except for blanks after a `~<newline>` directive). This makes it easy to achieve the equivalent of paragraph filling.

If the `atsign` modifier is used with `~<...~:>`, the entire remaining argument list is passed to the directive as its argument. All of the remaining arguments are always consumed by `~@<...~:>`, even if they are not all used by the **format** string nested in the directive. Other than the difference in its argument, `~@<...~:>` is exactly the same as `~<...~:>`, except that circularity (and sharing) detection is not applied if the `~@<...~:>` is at top level in a **format** string. This ensures that circularity detection is applied only to data lists and not to **format** argument lists.

To a considerable extent, the basic form of the directive `~<...~>` is incompatible with the dynamic control of the arrangement of output by `~W`, `~_`, `~<...~:>`, `~I`, and `~:T`. As a result, an error is signaled if any of these directives is nested within `~<...~>`. Beyond this, an

error is also signaled if the  $\sim\langle\dots\sim;\dots\sim\rangle$  form of  $\sim\langle\dots\sim\rangle$  is used in the same **format** string with  $\sim\mathbf{W}$ ,  $\sim\_$ ,  $\sim\langle\dots\sim:\rangle$ ,  $\sim\mathbf{I}$ , or  $\sim:\mathbf{T}$ .

$\sim\mathbf{I}$  *Indent*.  $\sim n\mathbf{I}$  is equivalent to (**pprint-indent :block  $n$** ).  $\sim:n\mathbf{I}$  is equivalent to (**pprint-indent :current  $n$** ). In both cases,  $n$  defaults to zero if it is omitted.

$\sim:\mathbf{T}$  *Tabulate*. If the colon modifier is used with the  $\sim\mathbf{T}$  directive, the tabbing computation is done relative to the column where the section immediately containing the directive begins, rather than with respect to column zero.  $\sim n,m:\mathbf{T}$  is equivalent to (**pprint-tab :section  $n$   $m$** ).  $\sim n,m:@\mathbf{T}$  is equivalent to (**pprint-tab :section-relative  $n$   $m$** ). The numerical parameters are both interpreted as being in units of ems and both default to 1.

$\sim/name/$  *Call function*. User-defined functions can be called from within a **format** string by using the directive  $\sim/name/$ . The colon modifier, the atsign modifier, and arbitrarily many parameters can be specified with the  $\sim/name/$  directive. The *name* can be any string that does not contain “/”. All of the characters in *name* are treated as if they were upper case. If *name* contains a “:” or “::”, then everything up to but not including the first “:” or “::” is taken to be a string that names a package. Everything after the first “:” or “::” (if any) is taken to be a string that names a symbol. The function corresponding to a  $\sim/name/$  directive is obtained by looking up the symbol that has the indicated name in the indicated package. If *name* does not contain a “:” or “::”, then the whole name string is looked up in the **user** package.

When a  $\sim/name/$  directive is encountered, the indicated function is called with four or more arguments. The first four arguments are the output stream, the **format** argument corresponding to the directive, the value **t** if the colon modifier was used (**nil** otherwise), and the value **t** if the atsign modifier was used (**nil** otherwise). The remaining arguments consist of any parameters specified with the directive. The function should print the argument appropriately. Any values returned by the function are ignored.

The three functions **pprint-linear**, **pprint-fill**, and **pprint-tabular** are designed so that they can be called by  $\sim/.../$  (that is,  $\sim/pprint-linear/$ ,  $\sim/pprint-fill/$ , and  $\sim/pprint-tabular/$ ). In particular they

take colon and atsign arguments.

As examples of the convenience of specifying pretty printing with **format** strings, consider the functions **pprint-defun** and **pprint-let** used as examples in the last section. They can be more compactly defined as follows. The function **pprint-vector** cannot be defined using **format**, because the data structure it traverses is not a list. The function **pprint-tabular** is inconvenient to define using **format**, because of the need to pass its **tabsize** argument through to a **~:T** directive nested within an iteration over a list.

```
(defun pprint-defun (list)
  (format t "~:<~W ~@_~:~W ~:_~W~1I ~_~W~:>" list))

(defun pprint-let (list)
  (format t "~:<~W~^ ~:<~@{~:<~@{~W~^ ~_~}~:>~^ ~:_~}~:>~1I~
    ~@{~^ ~_~W~}~:>"
    list))
```

## 27.5 Compiling Format Control Strings

The control strings used by **format** are essentially programs that perform printing. The macro **formatter** provides the efficiency of using a compiled function for printing without losing the visual compactness of **format** strings.

[*Macro*] **formatter** control-string

The *control-string* must be a literal string. An error is signaled if *control-string* is not a valid **format** control string. The macro **formatter** expands into an expression of the form (**function (lambda (stream &rest args) ...**) that does the printing specified by *control-string*. The **lambda** created accepts an output stream as its first argument and zero or more data values as its remaining arguments. The value returned by the **lambda** is the tail (if any) of the data values that are not printed out by *control-string*. (For example, if the *control-string* is "**~A~A**", the **cddr** (if any) of the data values is returned.) The form (**formatter "~%~2@{~S, ~}"**) is equivalent to the following:

```

#' (lambda (stream &rest args)
  (terpri stream)
  (dotimes (n 2)
    (if (null args) (return nil)
        (prin1 (pop args) stream)
        (write-string ", " stream)))
  args)

```

In support of the above mechanism, **format** is extended so that it accepts functions as its second argument as well as strings. When a function is provided, it must be a function of the form created by **formatter**. The function is called with the appropriate output stream as its first argument and the data arguments to **format** as its remaining arguments. The function should perform whatever output is necessary and return the unused tail of the arguments (if any). The directives `~?` and `~{~}` with no body are also extended so that they accept functions as well as control strings. Every other standard function that takes a **format** string as an argument (for example, **error** and **warn**) is also extended so that it can accept functions of the form above instead.

## 27.6 Pretty Printing Dispatch Tables

When **\*print-pretty\*** is not **nil**, the pprint dispatch table in the variable **\*print-pprint-dispatch\*** controls how objects are printed. The information in this table takes precedence over all other mechanisms for specifying how to print objects. In particular, it overrides user-defined **print-object** methods and print functions for structures. However, if there is no specification for how to pretty print a particular kind of object, it is then printed using the standard mechanisms as if **\*print-pretty\*** were **nil**.

A pprint dispatch table is a mapping from keys to pairs of values. The keys are type specifiers. The values are functions and numerical priorities. Basic insertion and retrieval is done based on the keys with the equality of keys being tested by **equal**. The function to use when pretty printing an object is chosen by finding the highest priority function in **\*print-pprint-dispatch\*** that is associated with a type specifier that matches the object.

[Function] **copy-pprint-dispatch** &optional *table*

A copy is made of *table*, which defaults to the current pprint dispatch table. If *table* is **nil**, a copy is returned of the initial value of **\*print-pprint-dispatch\***.

[Function] **pprint-dispatch** *object* &optional *table*

This retrieves the highest priority function from a pprint table that is associated with a type specifier in the table that matches *object*. The function is chosen by finding all the type specifiers in *table* that match the object and selecting the highest priority function associated with any of these type specifiers. If there is more than one highest priority function, an arbitrary choice is made. If no type specifiers match the object, a function is returned that prints object with **\*print-pretty\*** bound to **nil**.

As a second return value, **pprint-dispatch** returns a flag that is **t** if a matching type specifier was found in *table* and **nil** if not.

*Table* (which defaults to **\*print-pprint-dispatch\***) must be a pprint dispatch table. *Table* can be **nil**, in which case retrieval is done in the initial value of **\*print-pprint-dispatch\***.

When **\*print-pretty\*** is **t**, (**write object :stream s**) is equivalent to (**funcall (pprint-dispatch object) s object**).

[Function] **set-pprint-dispatch** *type function* &optional *priority table*

This puts an entry into a pprint dispatch table and returns **nil**. The *type* must be a valid type specifier and is the key of the entry. The first action of **set-pprint-dispatch** is to remove any pre-existing entry associated with *type*. This guarantees that there will never be two entries associated with the same type specifier in a given pprint dispatch table. Equality of type specifiers is tested by **equal**.

Two values are associated with each type specifier in a pprint dispatch table: a function and a priority. The *function* must accept two arguments: the stream to send output to and the object to be printed. The *function* should pretty print the object on the stream. The *function* can assume that object satisfies *type*. The *function* should obey **\*print-readably\***. Any values returned by the *function* are ignored.

The *priority* (which defaults to 0) must be a non-complex number. This number is used as a priority to resolve conflicts when an object matches more

than one entry. An error is signaled if priority fails to be a non-complex number.

The *table* (which defaults to the value of **\*print-pprint-dispatch\***) must be a pprint dispatch table. The specified entry is placed in this table.

It is permissible for *function* to be **nil**. In this situation, there will be no *type* entry in *table* after **set-pprint-dispatch** is evaluated.

To facilitate the use of pprint dispatch tables for controlling the pretty printing of Lisp code, the *type-specifier* argument of the function **set-pprint-dispatch** is allowed to contain the form (**cons** *car-type* *cdr-type*). This form indicates that the corresponding object must be a cons whose *car* satisfies the type specifier *car-type* and whose *cdr* satisfies the type specifier *cdr-type*. The *cdr-type* can be omitted, in which case it defaults to **t**.

The initial value of **\*print-pprint-dispatch\*** is implementation-dependent. However, the initial entries all use a special class of priorities that are less than every priority that can be specified using **set-pprint-dispatch**. This guarantees that pretty printing functions specified by users will override everything in the initial value of **\*print-pprint-dispatch\***.

Consider the following examples. The first form restores **\*print-pprint-dispatch\*** to its initial value. The next two forms then specify a special way of pretty printing ratios. Note that the more specific type specifier has to be associated with a higher priority.

```
(setq *print-pprint-dispatch*
      (copy-pprint-dispatch nil))

(defun div-print (s r colon? atsign?)
  (declare (ignore colon? atsign?))
  (format s "(/ ~D ~D)" (numerator (abs r)) (denominator r)))

(set-pprint-dispatch 'ratio (formatter "#.~/div-print/"))

(set-pprint-dispatch '(and ratio (satisfies minusp))
  (formatter "#.(- ~/div-print/)"
  5)

(pprint '(1/3 -2/3)) prints: (#.(/ 1 3) #.(- (/ 2 3)))
```

The following two forms illustrate the specification of pretty printing func-



tions for particular types of Lisp code. The first form illustrates how to specify the traditional method for printing quoted objects using “” syntax. Note the care taken to ensure that data lists that happen to begin with **quote** will be printed readably. The second form specifies that lists beginning with the symbol **my-let** should print the same way that lists beginning with **let** print when the initial pprint dispatch table is in effect.

```
(set-pprint-dispatch '(cons (member quote))
  #'(lambda (s list)
      (if (and (consp (cdr list)) (null (caddr list)))
          (funcall (formatter "~W") s (cadr list))
          (pprint-fill s list))))))

(set-pprint-dispatch '(cons (member my-let))
  (pprint-dispatch '(let) nil))
```

The next example specifies a default method for printing lists that do not correspond to function calls. Note that, as shown in the definition of **pprint-tabular** above, **pprint-linear**, **pprint-fill**, and **pprint-tabular** are defined with optional colon and atsign arguments so that they can be used as pprint dispatch functions as well as `~/.../` functions.

```
(set-pprint-dispatch
  '(cons (not (and symbol (satisfies fboundp))))
  #'pprint-fill
  -5)
```

With a line length of 9, (**pprint** '(0 b c d e f g h i j k)) prints:

```
(0 b c d
 e f g h
 i j k)
```

This final example shows how to define a pretty printing function for a user defined data structure.

```
(defstruct family mom kids)
```

```
(set-pprint-dispatch 'family
 #'(lambda (s f)
      (format s "~@<#<~;~W and ~2I~ _~/pprint-fill/~;>~:>"
              (family-mom f) (family-kids f))))
```

The pretty printing function for the structure **family** specifies how to adjust the layout of the output so that it can fit aesthetically into a variety of line widths. In addition, it obeys the printer control variables **\*print-level\***, **\*print-length\***, **\*print-lines\***, **\*print-circle\***, **\*print-shared\***, and **\*print-escape\***, and can tolerate several different kinds of malformity in the data structure. The output below shows what is printed out with a right margin of 25, **\*print-pretty\*** **t**, **\*print-escape\*** **nil**, and a malformed **kids** list.

```
(write (list 'principal-family
            (make-family :mom "Lucy"
                        :kids '("Mark" "Bob" . "Dan")))
       :right-margin 25 :pretty T :escape nil :miser-width nil)
```

```
(PRINCIPAL-FAMILY
 #<Lucy and
 Mark Bob . Dan>)
```

Note that a pretty printing function for a structure is different from the structure's print function. While print functions are permanently associated with a structure, pretty printing functions are stored in pprint dispatch tables and can be rapidly changed to reflect different printing needs. If there is no pretty printing function for a structure in the current print dispatch table, the print function (if any) is used instead.

# Chapter 28

## Common Lisp Object System

Authors: Daniel G. Bobrow, Linda G. DeMichiel, Richard P. Gabriel, Sonya E. Keene, Gregor Kiczales, and David A. Moon

This chapter presents the bulk of the first two chapters of the Common Lisp Object System specification; it is substantially identical to these two specification chapters as previously published elsewhere [5, 6, 7]. I have edited the material only very lightly to conform to the overall style of this book and to save a substantial number of pages by using a typographically condensed presentation. I have inserted a small number of bracketed remarks, identified by the initials GLS. The chapter divisions of the original specification have become section divisions in this chapter; references to the three chapters of the original specification now refer to the three “parts” of the specification. (See the Acknowledgments to this second edition for acknowledgments to others who contributed to the Common Lisp Object System specification.) This is not the last word on CLOS; X3J13 may well refine this material further. Keene has written a good tutorial introduction to CLOS [26].

—Guy L. Steele Jr.

### 28.1 Programmer Interface Concepts

The Common Lisp Object System (CLOS) is an object-oriented extension to Common Lisp. It is based on generic functions, multiple inheritance, declarative method combination, and a meta-object protocol.

The first two parts of this specification describe the standard Programmer Interface for the Common Lisp Object System. The first part, Programmer

Interface Concepts, contains a description of the concepts of the Common Lisp Object System, and the second part, Functions in the Programmer Interface, contains a description of the functions and macros in the Common Lisp Object System Programmer Interface. The third part, The Common Lisp Object System Meta-Object Protocol, explains how the Common Lisp Object System can be customized.

The fundamental objects of the Common Lisp Object System are classes, instances, generic functions, and methods.

A *class* object determines the structure and behavior of a set of other objects, which are called its *instances*. Every Common Lisp object is an *instance* of a class. The class of an object determines the set of operations that can be performed on the object.

A *generic function* is a function whose behavior depends on the classes or identities of the arguments supplied to it. A generic function object contains a set of methods, a lambda-list, a method combination type, and other information. The *methods* define the class-specific behavior and operations of the generic function; a method is said to *specialize* a generic function. When invoked, a generic function executes a subset of its methods based on the classes of its arguments.

A generic function can be used in the same ways as an ordinary function in Common Lisp; in particular, a generic function can be used as an argument to **funcall** and **apply** and can be given a global name.

A *method* is an object that contains a method function, a sequence of *parameter specializers* that specify when the given method is applicable, and a sequence of *qualifiers* that is used by the *method combination* facility to distinguish among methods. Each required formal parameter of each method has an associated parameter specializer, and the method will be invoked only on arguments that satisfy its parameter specializers.

The method combination facility controls the selection of methods, the order in which they are run, and the values that are returned by the generic function. The Common Lisp Object System offers a default method combination type and provides a facility for declaring new types of method combination.

### 28.1.1 Error Terminology

A situation is the evaluation of an expression in some specific context. For example, a situation might be the invocation of a function on arguments that

fail to satisfy some specified constraints.

In the specification of the Common Lisp Object System, the behavior of programs in all situations is described, and the options available to the implementor are defined. No implementation is allowed to extend the syntax or semantics of the Object System except as explicitly defined in the Object System specification. In particular, no implementation is allowed to extend the syntax of the Object System in such a way that ambiguity between the specified syntax of the Object System and those extensions is possible.

**“When situation  $S$  occurs, an error is signaled.”** This terminology has the following meaning:

- If this situation occurs, an error will be signaled in the interpreter and in code compiled under all compiler safety optimization levels.
- Valid programs may rely on the fact that an error will be signaled in the interpreter and in code compiled under all compiler safety optimization levels.
- Every implementation is required to detect such an error in the interpreter and in code compiled under all compiler safety optimization levels.

**“When situation  $S$  occurs, an error should be signaled.”** This terminology has the following meaning:

- If this situation occurs, an error will be signaled at least in the interpreter and in code compiled under the safest compiler safety optimization level.
- Valid programs may not rely on the fact that an error will be signaled.
- Every implementation is required to detect such an error at least in the interpreter and in code compiled under the safest compiler safety optimization level.
- When an error is not signaled, the results are undefined (see below).

**“When situation  $S$  occurs, the results are undefined.”** This terminology has the following meaning:

- If this situation occurs, the results are unpredictable. The results may range from harmless to fatal.
- Implementations are allowed to detect this situation and signal an error, but no implementation is required to detect the situation.
- No valid program may depend on the effects of this situation, and all valid programs are required to treat the effects of this situation as unpredictable.

**“When situation  $S$  occurs, the results are unspecified.”** This terminology has the following meaning:

- The effects of this situation are not specified in the Object System, but the effects are harmless.
- Implementations are allowed to specify the effects of this situation.
- No portable program can depend on the effects of this situation, and all portable programs are required to treat the situation as unpredictable but harmless.

**“The Common Lisp Object System may be extended to cover situation  $S$ .”**

The meaning of this terminology is that an implementation is free to treat situation  $S$  in one of three ways:

- When situation  $S$  occurs, an error is signaled at least in the interpreter and in code compiled under the safest compiler safety optimization level.
- When situation  $S$  occurs, the results are undefined.
- When situation  $S$  occurs, the results are defined and specified.

In addition, this terminology has the following meaning:

- No portable program can depend on the effects of this situation, and all portable programs are required to treat the situation as undefined.

**“Implementations are free to extend the syntax  $S$ .”** This terminology has the following meaning:

- Implementations are allowed to define unambiguous extensions to syntax  $S$ .
- No portable program can depend on this extension, and all portable programs are required to treat the syntax as meaningless.

The Common Lisp Object System specification may disallow certain extensions while allowing others.

### 28.1.2 Classes

A *class* is an object that determines the structure and behavior of a set of other objects, which are called its *instances*.

A class can inherit structure and behavior from other classes. A class whose definition refers to other classes for the purpose of inheriting from them is said to be a *subclass* of each of those classes. The classes that are designated for purposes of inheritance are said to be *superclasses* of the inheriting class.

A class can have a *name*. The function **class-name** takes a class object and returns its name. The name of an anonymous class is **nil**. A symbol can *name* a class. The function **find-class** takes a symbol and returns the class that the symbol names. A class has a *proper name* if the name is a symbol and if the name of the class names that class. That is, a class  $C$  has the *proper name*  $S$  if  $S = (\mathbf{class-name} C)$  and  $C = (\mathbf{find-class} S)$ . Notice that it is possible for  $(\mathbf{find-class} S_1) = (\mathbf{find-class} S_2)$  and  $S_1 \neq S_2$ . If  $C = (\mathbf{find-class} S)$ , we say that  $C$  is the *class named*  $S$ .

A class  $C_1$  is a *direct superclass* of a class  $C_2$  if  $C_2$  explicitly designates  $C_1$  as a superclass in its definition. In this case,  $C_2$  is a *direct subclass* of  $C_1$ . A class  $C_n$  is a *superclass* of a class  $C_1$  if there exists a series of classes  $C_2, \dots, C_{n-1}$  such that  $C_{i+1}$  is a direct superclass of  $C_i$  for  $1 \leq i < n$ . In this case,  $C_1$  is a *subclass* of  $C_n$ . A class is considered neither a superclass nor a subclass of itself. That is, if  $C_1$  is a superclass of  $C_2$ , then  $C_1 \neq C_2$ . The set of classes consisting of some given class  $C$  along with all of its superclasses is called “ $C$  and its superclasses.”

Each class has a *class precedence list*, which is a total ordering on the set of the given class and its superclasses. The total ordering is expressed as a list ordered from most specific to least specific. The class precedence list is used in several ways. In general, more specific classes can *shadow*, or override, features that would otherwise be inherited from less specific classes.

The method selection and combination process uses the class precedence list to order methods from most specific to least specific.

When a class is defined, the order in which its direct superclasses are mentioned in the defining form is important. Each class has a *local precedence order*, which is a list consisting of the class followed by its direct superclasses in the order mentioned in the defining form.

A class precedence list is always consistent with the local precedence order of each class in the list. The classes in each local precedence order appear within the class precedence list in the same order. If the local precedence orders are inconsistent with each other, no class precedence list can be constructed, and an error is signaled. The class precedence list and its computation is discussed in section 28.1.5.

Classes are organized into a *directed acyclic graph*. There are two distinguished classes, named **t** and **standard-object**. The class named **t** has no superclasses. It is a superclass of every class except itself. The class named **standard-object** is an instance of the class **standard-class** and is a superclass of every class that is an instance of **standard-class** except itself.

There is a mapping from the Common Lisp Object System class space into the Common Lisp type space. Many of the standard Common Lisp types have a corresponding class that has the same name as the type. Some Common Lisp types do not have a corresponding class. The integration of the type and class systems is discussed in section 28.1.4.

Classes are represented by objects that are themselves instances of classes. The class of the class of an object is termed the *metaclass* of that object. When no misinterpretation is possible, the term *metaclass* will be used to refer to a class that has instances that are themselves classes. The metaclass determines the form of inheritance used by the classes that are its instances and the representation of the instances of those classes. The Common Lisp Object System provides a default metaclass, **standard-class**, that is appropriate for most programs. The meta-object protocol provides mechanisms for defining and using new metaclasses.

Except where otherwise specified, all classes mentioned in this chapter are instances of the class **standard-class**, all generic functions are instances of the class **standard-generic-function**, and all methods are instances of the class **standard-method**.



## Defining Classes

The macro **defclass** is used to define a new named class. The definition of a class includes the following:

- The name of the new class. For newly defined classes this is a proper name.
- The list of the direct superclasses of the new class.
- A set of *slot specifiers*. Each slot specifier includes the name of the slot and zero or more *slot options*. A slot option pertains only to a single slot. If a class definition contains two slot specifiers with the same name, an error is signaled.
- A set of *class options*. Each class option pertains to the class as a whole.

The slot options and class options of the **defclass** form provide mechanisms for the following:

- Supplying a default initial value form for a given slot.
- Requesting that methods for generic functions be automatically generated for reading or writing slots.
- Controlling whether a given slot is shared by instances of the class or whether each instance of the class has its own slot.
- Supplying a set of initialization arguments and initialization argument defaults to be used in instance creation.
- Indicating that the metaclass is to be other than the default.
- Indicating the expected type for the value stored in the slot.
- Indicating the documentation string for the slot.

## Creating Instances of Classes

The generic function **make-instance** creates and returns a new instance of a class. The Object System provides several mechanisms for specifying how a new instance is to be initialized. For example, it is possible to specify the initial values for slots in newly created instances either by giving arguments to **make-instance** or by providing default initial values.

Further initialization activities can be performed by methods written for generic functions that are part of the initialization protocol. The complete initialization protocol is described in section 28.1.9.

## Slots

An object that has **standard-class** as its metaclass has zero or more named slots. The slots of an object are determined by the class of the object. Each slot can hold one value. The name of a slot is a symbol that is syntactically valid for use as a variable name.

When a slot does not have a value, the slot is said to be *unbound*. When an unbound slot is read, the generic function **slot-unbound** is invoked. The system-supplied primary method for **slot-unbound** signals an error.

The default initial value form for a slot is defined by the **:initform** slot option. When the **:initform** form is used to supply a value, it is evaluated in the lexical environment in which the **defclass** form was evaluated. The **:initform** along with the lexical environment in which the **defclass** form was evaluated is called a *captured :initform*. See section 28.1.9.

A *local slot* is defined to be a slot that is visible to exactly one instance, namely the one in which the slot is allocated. A *shared slot* is defined to be a slot that is visible to more than one instance of a given class and its subclasses.

A class is said to *define* a slot with a given name when the **defclass** form for that class contains a slot specifier with that name. Defining a local slot does not immediately create a slot; it causes a slot to be created each time an instance of the class is created. Defining a shared slot immediately creates a slot.

The **:allocation** slot option to **defclass** controls the kind of slot that is defined. If the value of the **:allocation** slot option is **:instance**, a local slot is created. If the value of **:allocation** is **:class**, a shared slot is created.

A slot is said to be *accessible* in an instance of a class if the slot is defined

by the class of the instance or is inherited from a superclass of that class. At most one slot of a given name can be accessible in an instance. A shared slot defined by a class is accessible in all instances of that class. A detailed explanation of the inheritance of slots is given in section 28.1.3.

### Accessing Slots

Slots can be accessed in two ways: by use of the primitive function **slot-value** and by use of generic functions generated by the **defclass** form.

The function **slot-value** can be used with any slot name specified in the **defclass** form to access a specific slot accessible in an instance of the given class.

The macro **defclass** provides syntax for generating methods to read and write slots. If a *reader* is requested, a method is automatically generated for reading the value of the slot, but no method for storing a value into it is generated. If a *writer* is requested, a method is automatically generated for storing a value into the slot, but no method for reading its value is generated. If an *accessor* is requested, a method for reading the value of the slot and a method for storing a value into the slot are automatically generated. Reader and writer methods are implemented using **slot-value**.

When a reader or writer is specified for a slot, the name of the generic function to which the generated method belongs is directly specified. If the name specified for the writer option is the symbol *name*, the name of the generic function for writing the slot is the symbol *name*, and the generic function takes two arguments: the new value and the instance, in that order. If the name specified for the accessor option is the symbol *name*, the name of the generic function for reading the slot is the symbol *name*, and the name of the generic function for writing the slot is the list (**setf name**).

A generic function created or modified by supplying reader, writer, or accessor slot options can be treated exactly as an ordinary generic function.

Note that **slot-value** can be used to read or write the value of a slot whether or not reader or writer methods exist for that slot. When **slot-value** is used, no reader or writer methods are invoked.

The macro **with-slots** can be used to establish a lexical environment in which specified slots are lexically available as if they were variables. The macro **with-slots** invokes the function **slot-value** to access the specified slots.

The macro **with-accessors** can be used to establish a lexical environment

in which specified slots are lexically available through their accessors as if they were variables. The macro **with-accessors** invokes the appropriate accessors to access the specified slots. Any accessors specified by **with-accessors** must already have been defined before they are used.

### 28.1.3 Inheritance

A class can inherit methods, slots, and some **defclass** options from its superclasses. The following sections describe the inheritance of methods, the inheritance of slots and slot options, and the inheritance of class options.

#### Inheritance of Methods

A subclass inherits methods in the sense that any method applicable to all instances of a class is also applicable to all instances of any subclass of that class.

The inheritance of methods acts the same way regardless of whether the method was created by using one of the method-defining forms or by using one of the **defclass** options that causes methods to be generated automatically.

The inheritance of methods is described in detail in section 28.1.7.

#### Inheritance of Slots and Slot Options

The set of names of all slots accessible in an instance of a class  $C$  is the union of the sets of names of slots defined by  $C$  and its superclasses. The *structure* of an instance is the set of names of local slots in that instance.

In the simplest case, only one class among  $C$  and its superclasses defines a slot with a given slot name. If a slot is defined by a superclass of  $C$ , the slot is said to be *inherited*. The characteristics of the slot are determined by the slot specifier of the defining class. Consider the defining class for a slot  $S$ . If the value of the **:allocation** slot option is **:instance**, then  $S$  is a local slot and each instance of  $C$  has its own slot named  $S$  that stores its own value. If the value of the **:allocation** slot option is **:class**, then  $S$  is a shared slot, the class that defined  $S$  stores the value, and all instances of  $C$  can access that single slot. If the **:allocation** slot option is omitted, **:instance** is used.

In general, more than one class among  $C$  and its superclasses can define a slot with a given name. In such cases, only one slot with the given name

is accessible in an instance of  $C$ , and the characteristics of that slot are a combination of the several slot specifiers, computed as follows:

- All the slot specifiers for a given slot name are ordered from most specific to least specific, according to the order in  $C$ 's class precedence list of the classes that define them. All references to the specificity of slot specifiers immediately following refer to this ordering.
- The allocation of a slot is controlled by the most specific slot specifier. If the most specific slot specifier does not contain an **:allocation** slot option, **:instance** is used. Less specific slot specifiers do not affect the allocation.
- The default initial value form for a slot is the value of the **:initform** slot option in the most specific slot specifier that contains one. If no slot specifier contains an **:initform** slot option, the slot has no default initial value form.
- The contents of a slot will always be of type **(and  $T_1 \dots T_n$ )** where  $T_1, \dots, T_n$  are the values of the **:type** slot options contained in all of the slot specifiers. If no slot specifier contains the **:type** slot option, the contents of the slot will always be of type **t**. The result of attempting to store in a slot a value that does not satisfy the type of the slot is undefined.
- The set of initialization arguments that initialize a given slot is the union of the initialization arguments declared in the **:initarg** slot options in all the slot specifiers.
- The documentation string for a slot is the value of the **:documentation** slot option in the most specific slot specifier that contains one. If no slot specifier contains a **:documentation** slot option, the slot has no documentation string.

A consequence of the allocation rule is that a shared slot can be shadowed. For example, if a class  $C_1$  defines a slot named  $S$  whose value for the **:allocation** slot option is **:class**, that slot is accessible in instances of  $C_1$  and all of its subclasses. However, if  $C_2$  is a subclass of  $C_1$  and also defines a slot named  $S$ ,  $C_1$ 's slot is not shared by instances of  $C_2$  and its subclasses. When a class  $C_1$  defines a shared slot, any subclass  $C_2$  of  $C_1$  will share this

single slot unless the **defclass** form for  $C_2$  specifies a slot of the same name or there is a superclass of  $C_2$  that precedes  $C_1$  in the class precedence list of  $C_2$  that defines a slot of the same name.

A consequence of the type rule is that the value of a slot satisfies the type constraint of each slot specifier that contributes to that slot. Because the result of attempting to store in a slot a value that does not satisfy the type constraint for the slot is undefined, the value in a slot might fail to satisfy its type constraint.

The **:reader**, **:writer**, and **:accessor** slot options create methods rather than define the characteristics of a slot. Reader and writer methods are inherited in the sense described in section 28.1.3.

Methods that access slots use only the name of the slot and the type of the slot's value. Suppose a superclass provides a method that expects to access a shared slot of a given name, and a subclass defines a local slot with the same name. If the method provided by the superclass is used on an instance of the subclass, the method accesses the local slot.

### Inheritance of Class Options

The **:default-initargs** class option is inherited. The set of defaulted initialization arguments for a class is the union of the sets of initialization arguments specified in the **:default-initargs** class options of the class and its superclasses. When more than one default initial value form is supplied for a given initialization argument, the default initial value form that is used is the one supplied by the class that is most specific according to the class precedence list.

If a given **:default-initargs** class option specifies an initialization argument of the same name more than once, an error is signaled.

### Examples

```
(defclass C1 ()
  ((S1 :initform 5.4 :type number)
   (S2 :allocation :class)))
```

```
(defclass C2 (C1)
  ((S1 :initform 5 :type integer)
   (S2 :allocation :instance)
   (S3 :accessor C2-S3)))
```

Instances of the class **C1** have a local slot named **S1**, whose default initial value is 5.4 and whose value should always be a number. The class **C1** also has a shared slot named **S2**.

There is a local slot named **S1** in instances of **C2**. The default initial value of **S1** is 5. The value of **S1** will be of type (**and integer number**). There are also local slots named **S2** and **S3** in instances of **C2**. The class **C2** has a method for **C2-S3** for reading the value of slot **S3**; there is also a method for (**setf C2-S3**) that writes the value of **S3**.

#### 28.1.4 Integrating Types and Classes

The Common Lisp Object System maps the space of classes into the Common Lisp type space. Every class that has a proper name has a corresponding type with the same name.

The proper name of every class is a valid type specifier. In addition, every class object is a valid type specifier. Thus the expression (**typep object class**) evaluates to true if the class of *object* is *class* itself or a subclass of *class*. The evaluation of the expression (**subtypep class1 class2**) returns the values **t** and **t** if *class1* is a subclass of *class2* or if they are the same class; otherwise it returns the values **nil** and **t**. If *I* is an instance of some class *C* named *S* and *C* is an instance of **standard-class**, the evaluation of the expression (**type-of I**) will return *S* if *S* is the proper name of *C*; if *S* is not the proper name of *C*, the expression (**type-of I**) will return *C*.

Because the names of classes and class objects are type specifiers, they may be used in the special operator **the** and in type declarations.

Many but not all of the predefined Common Lisp type specifiers have a corresponding class with the same proper name as the type. These type specifiers are listed in table 28.1. For example, the type **array** has a corresponding class named **array**. No type specifier that is a list, such as (**vector double-float 100**), has a corresponding class. The form **deftype** does not create any classes.

Each class that corresponds to a predefined Common Lisp type specifier can be implemented in one of three ways, at the discretion of each imple-

mentation. It can be a *standard class* (of the kind defined by **defclass**), a *structure class* (defined by **defstruct**), or a *built-in class* (implemented in a special, non-extensible way).

A built-in class is one whose instances have restricted capabilities or special representations. Attempting to use **defclass** to define subclasses of a built-in class signals an error. Calling **make-instance** to create an instance of a built-in class signals an error. Calling **slot-value** on an instance of a built-in class signals an error. Redefining a built-in class or using **change-class** to change the class of an instance to or from a built-in class signals an error. However, built-in classes can be used as parameter specializers in methods.

It is possible to determine whether a class is a built-in class by checking the metaclass. A standard class is an instance of **standard-class**, a built-in class is an instance of **built-in-class**, and a structure class is an instance of **structure-class**.

Each structure type created by **defstruct** without using the **:type** option has a corresponding class. This class is an instance of **structure-class**.

The **:include** option of **defstruct** creates a direct subclass of the class that corresponds to the included structure.

The purpose of specifying that many of the standard Common Lisp type specifiers have a corresponding class is to enable users to write methods that discriminate on these types. Method selection requires that a class precedence list can be determined for each class.

The hierarchical relationships among the Common Lisp type specifiers are mirrored by relationships among the classes corresponding to those types. The existing type hierarchy is used for determining the class precedence list for each class that corresponds to a predefined Common Lisp type.

Table 28.1 lists the set of classes required by the Object System that correspond to predefined Common Lisp type specifiers. The superclasses of each such class are presented in order from most specific to most general, thereby defining the class precedence list for the class. The local precedence order for each class that corresponds to a Common Lisp type specifier can be derived from this table.

Individual implementations may be extended to define other type specifiers to have a corresponding class. Individual implementations can be extended to add other subclass relationships and to add other elements to the class precedence lists in the above table as long as they do not violate the type relationships and disjointness requirements specified in section 2.15. A



standard class defined with no direct superclasses is guaranteed to be disjoint from all of the classes in the table, except for the class named **t**.

[At this point the original CLOS report specified that certain Common Lisp types were to appear in table 28.1 if and only if X3J13 voted to make them disjoint from **cons**, **symbol**, **array**, **number**, and **character**. X3J13 voted to do so in June 1988 . I have added these types and their class precedence lists to the table; the new types are indicated by asterisks.—GLS]

### 28.1.5 Determining the Class Precedence List

The **defclass** form for a class provides a total ordering on that class and its direct superclasses. This ordering is called the *local precedence order*. It is an ordered list of the class and its direct superclasses. The *class precedence list* for a class  $C$  is a total ordering on  $C$  and its superclasses that is consistent with the local precedence orders for  $C$  and its superclasses.

A class precedes its direct superclasses, and a direct superclass precedes all other direct superclasses specified to its right in the superclasses list of the **defclass** form. For every class  $C$ , define

$$R_C = \{(C, C_1), (C_1, C_2), \dots, (C_{n-1}, C_n)\}$$

where  $C_1, \dots, C_n$  are the direct superclasses of  $C$  in the order in which they are mentioned in the **defclass** form. These ordered pairs generate the total ordering on the class  $C$  and its direct superclasses.

Let  $S_C$  be the set of  $C$  and its superclasses. Let  $R$  be

$$R = \bigcup_{c \in S_C} R_c$$

The set  $R$  may or may not generate a partial ordering, depending on whether the  $R_c$ ,  $c \in S_C$ , are consistent; it is assumed that they are consistent and that  $R$  generates a partial ordering. When the  $R_c$  are not consistent, it is said that  $R$  is inconsistent.

To compute the class precedence list for  $C$ , topologically sort the elements of  $S_C$  with respect to the partial ordering generated by  $R$ . When the topological sort must select a class from a set of two or more classes, none of which are preceded by other classes with respect to  $R$ , the class selected is chosen deterministically, as described below. If  $R$  is inconsistent, an error is signaled.

## Topological Sorting

Топологическая сортировка

Topological sorting proceeds by finding a class  $C$  in  $S_C$  such that no other class precedes that element according to the elements in  $R$ . The class  $C$  is placed first in the result. Remove  $C$  from  $S_C$ , and remove all pairs of the form  $(C, D)$ ,  $D \in S_C$ , from  $R$ . Repeat the process, adding classes with no predecessors to the end of the result. Stop when no element can be found that has no predecessor.

If  $S_C$  is not empty and the process has stopped, the set  $R$  is inconsistent. If every class in the finite set of classes is preceded by another, then  $R$  contains a loop. That is, there is a chain of classes  $C_1, \dots, C_n$  such that  $C_i$  precedes  $C_{i+1}$ ,  $1 \leq i < n$ , and  $C_n$  precedes  $C_1$ .

Sometimes there are several classes from  $S_C$  with no predecessors. In this case select the one that has a direct subclass rightmost in the class precedence list computed so far. If there is no such candidate class,  $R$  does not generate a partial ordering — the  $R_c$ ,  $c \in S_C$ , are inconsistent.

In more precise terms, let  $\{N_1, \dots, N_m\}$ ,  $m \geq 2$ , be the classes from  $S_C$  with no predecessors. Let  $(C_1 \dots C_n)$ ,  $n \geq 1$ , be the class precedence list constructed so far.  $C_1$  is the most specific class, and  $C_n$  is the least specific. Let  $1 \leq j \leq n$  be the largest number such that there exists an  $i$  where  $1 \leq i \leq m$  and  $N_i$  is a direct superclass of  $C_j$ ;  $N_i$  is placed next.

The effect of this rule for selecting from a set of classes with no predecessors is that classes in a simple superclass chain are adjacent in the class precedence list and that classes in each relatively separated subgraph are adjacent in the class precedence list. For example, let  $T_1$  and  $T_2$  be subgraphs whose only element in common is the class  $J$ . Suppose that no superclass of  $J$  appears in either  $T_1$  or  $T_2$ . Let  $C_1$  be the bottom of  $T_1$ ; and let  $C_2$  be the bottom of  $T_2$ . Suppose  $C$  is a class whose direct superclasses are  $C_1$  and  $C_2$  in that order; then the class precedence list for  $C$  will start with  $C$  and will be followed by all classes in  $T_1$  except  $J$ . All the classes of  $T_2$  will be next. The class  $J$  and its superclasses will appear last.

## Examples

This example determines a class precedence list for the class **pie**. The following classes are defined:

```
(defclass pie (apple cinnamon) ())
(defclass apple (fruit) ())
(defclass cinnamon (spice) ())
(defclass fruit (food) ())
(defclass spice (food) ())
(defclass food () ())
```

The set  $S = \{\text{pie, apple, cinnamon, fruit, spice, food, standard-object, t}\}$ . The set  $R = \{(\text{pie, apple}), (\text{apple, cinnamon}), (\text{cinnamon, standard-object}), (\text{apple, fruit}), (\text{fruit, standard-object}), (\text{cinnamon, spice}), (\text{spice, standard-object}), (\text{fruit, food}), (\text{food, standard-object}), (\text{spice, food}), (\text{standard-object, t})\}$ .

The class **pie** is not preceded by anything, so it comes first; the result so far is **(pie)**. Remove **pie** from  $S$  and pairs mentioning **pie** from  $R$  to get  $S = \{\text{apple, cinnamon, fruit, spice, food, standard-object, t}\}$  and  $R = \{(\text{apple, cinnamon}), (\text{cinnamon, standard-object}), (\text{apple, fruit}), (\text{fruit, standard-object}), (\text{cinnamon, spice}), (\text{spice, standard-object}), (\text{fruit, food}), (\text{food, standard-object}), (\text{spice, food}), (\text{standard-object, t})\}$ .

The class **apple** is not preceded by anything, so it is next; the result is **(pie apple)**. Removing **apple** and the relevant pairs results in  $S = \{\text{cinnamon, fruit, spice, food, standard-object, t}\}$  and  $R = \{(\text{cinnamon, standard-object}), (\text{fruit, standard-object}), (\text{cinnamon, spice}), (\text{spice, standard-object}), (\text{fruit, food}), (\text{food, standard-object}), (\text{spice, food}), (\text{standard-object, t})\}$ .

The classes **cinnamon** and **fruit** are not preceded by anything, so the one with a direct subclass rightmost in the class precedence list computed so far goes next. The class **apple** is a direct subclass of **fruit**, and the class **pie** is a direct subclass of **cinnamon**. Because **apple** appears to the right of **pie** in the precedence list, **fruit** goes next, and the result so far is **(pie apple fruit)**.  $S = \{\text{cinnamon, spice, food, standard-object, t}\}$ ;  $R = \{(\text{cinnamon, standard-object}), (\text{cinnamon, spice}), (\text{spice, standard-object}), (\text{food, standard-object}), (\text{spice, food}), (\text{standard-object, t})\}$ .

The class **cinnamon** is next, giving the result so far as **(pie apple fruit cinnamon)**. At this point  $S = \{\text{spice, food, standard-object, t}\}$ ;  $R = \{(\text{spice, standard-object}), (\text{food, standard-object}), (\text{spice, food}), (\text{standard-object, t})\}$ .

The classes **spice**, **food**, **standard-object**, and **t** are then added in that order, and the final class precedence list for **pie** is

```
(pie apple fruit cinnamon spice food standard-object t)
```

It is possible to write a set of class definitions that cannot be ordered. For example:

```
(defclass new-class (fruit apple) ())
(defclass apple (fruit) ())
```

The class **fruit** must precede **apple** because the local ordering of superclasses must be preserved. The class **apple** must precede **fruit** because a class always precedes its own superclasses. When this situation occurs, an error is signaled when the system tries to compute the class precedence list.

The following might appear to be a conflicting set of definitions:

```
(defclass pie (apple cinnamon) ())
(defclass pastry (cinnamon apple) ())
(defclass apple () ())
(defclass cinnamon () ())
```

The class precedence list for **pie** is

```
(pie apple cinnamon standard-object t)
```

The class precedence list for **pastry** is

```
(pastry cinnamon apple standard-object t)
```

It is not a problem for **apple** to precede **cinnamon** in the ordering of the superclasses of **pie** but not in the ordering for **pastry**. However, it is not possible to build a new class that has both **pie** and **pastry** as superclasses.

### 28.1.6 Generic Functions and Methods

A *generic function* is a function whose behavior depends on the classes or identities of the arguments supplied to it. The *methods* define the class-specific behavior and operations of the generic function. The following sections describe generic functions and methods.

## Introduction to Generic Functions

A generic function object contains a set of methods, a lambda-list, a method combination type, and other information.

Like an ordinary Lisp function, a generic function takes arguments, performs a series of operations, and perhaps returns useful values. An ordinary function has a single body of code that is always executed when the function is called. A generic function has a set of bodies of code of which a subset is selected for execution. The selected bodies of code and the manner of their combination are determined by the classes or identities of one or more of the arguments to the generic function and by its method combination type.

Ordinary functions and generic functions are called with identical function-call syntax.

Generic functions are true functions that can be passed as arguments, returned as values, used as the first argument to **funcall** and **apply**, and otherwise used in all the ways an ordinary function may be used.

The **generic-function** macro creates an anonymous generic function with the set of methods specified by the method definitions that appear in the **generic-function** form.

When a **defgeneric** form is evaluated, one of three actions is taken:

- If a generic function of the given name already exists, the existing generic function object is modified. Methods specified by the current **defgeneric** form are added, and any methods in the existing generic function that were defined by a previous **defgeneric** form are removed. Methods added by the current **defgeneric** form might replace methods defined by **defmethod** or **defclass**. No other methods in the generic function are affected or replaced.
- If the given name names a non-generic function, a macro, or a special operator, an error is signaled.
- Otherwise a generic function is created with the methods specified by the method definitions in the **defgeneric** form.

Some forms specify the options of a generic function, such as the type of method combination it uses or its argument precedence order. They will be referred to as “forms that specify generic function options.” These forms are **defgeneric**, **generic-function**.

Some forms define methods for a generic function. They will be referred to as “method-defining forms.” These forms are **defgeneric**, **defmethod**, **generic-function**, and **defclass**. Note that all the method-defining forms except **defclass** and **defmethod** are also forms that specify generic function options.

### Introduction to Methods

A method object contains a method function, a sequence of *parameter specializers* that specify when the given method is applicable, a lambda-list, and a sequence of *qualifiers* that are used by the method combination facility to distinguish among methods.

A method object is not a function and cannot be invoked as a function. Various mechanisms in the Object System take a method object and invoke its method function, as is the case when a generic function is invoked. When this occurs it is said that the method is invoked or called.

A method-defining form contains the code that is to be run when the arguments to the generic function cause the method that it defines to be invoked. When a method-defining form is evaluated, a method object is created and one of four actions is taken:

- If a generic function of the given name already exists and if a method object already exists that agrees with the new one on parameter specializers and qualifiers, the new method object replaces the old one. For a definition of one method agreeing with another on parameter specializers and qualifiers, see section 28.1.6.
- If a generic function of the given name already exists and if there is no method object that agrees with the new one on parameter specializers and qualifiers, the existing generic function object is modified to contain the new method object.
- If the given name names a non-generic function, a macro, or a special operator, an error is signaled.
- Otherwise a generic function is created with the methods specified by the method-defining form.

If the lambda-list of a new method is not congruent with the lambda-list of the generic function, an error is signaled. If a method-defining form

that cannot specify generic function options creates a new generic function, a lambda-list for that generic function is derived from the lambda-lists of the methods in the method-defining form in such a way as to be congruent with them. For a discussion of *congruence*, see section 28.1.6.

Each method has a *specialized lambda-list*, which determines when that method can be applied. A specialized lambda-list is like an ordinary lambda-list except that a *specialized parameter* may occur instead of the name of a required parameter. A specialized parameter is a list (***variable-name parameter-specializer-name***), where *parameter-specializer-name* is either a name that names a class or a list (***eql form***). A parameter specializer name denotes a parameter specializer as follows:

- A name that names a class denotes that class.
- The list (***eql form***) denotes the type specifier (***eql object***), where *object* is the result of evaluating *form*. The form *form* is evaluated in the lexical environment in which the method-defining form is evaluated. Note that *form* is evaluated only once, at the time the method is defined, not each time the generic function is called.

Parameter specializer names are used in macros intended as the user-level interface (***defmethod***), while parameter specializers are used in the functional interface.

[It is very important to understand clearly the distinction made in the preceding paragraph. A parameter specializer name has the form of a type specifier but is semantically quite different from a type specifier: a parameter specializer name of the form (***eql form***) is not a type specifier, for it contains a *form* to be evaluated. Type specifiers never contain forms to be evaluated. All parameter specializers (as opposed to parameter specializer names) are valid type specifiers, but not all type specifiers are valid parameter specializers. Macros such as ***defmethod*** take parameter specializer names and treat them as specifications for constructing certain type specifiers (parameter specializers) that may then be used with such functions as ***find-method***.—GLS]

Only required parameters may be specialized, and there must be a parameter specializer for each required parameter. For notational simplicity, if some required parameter in a specialized lambda-list in a method-defining form is simply a variable name, its parameter specializer defaults to the class named ***t***.

Given a generic function and a set of arguments, an *applicable method* is a method for that generic function whose parameter specializers are satisfied by their corresponding arguments. The following definition specifies what it means for a method to be applicable and for an argument to satisfy a parameter specializer.

Let  $\langle A_1, \dots, A_n \rangle$  be the required arguments to a generic function in order. Let  $\langle P_1, \dots, P_n \rangle$  be the parameter specializers corresponding to the required parameters of the method  $M$  in order. The method  $M$  is *applicable* when each  $A_i$  *satisfies*  $P_i$ . If  $P_i$  is a class, and if  $A_i$  is an instance of a class  $C$ , then it is said that  $A_i$  *satisfies*  $P_i$  when  $C = P_i$  or when  $C$  is a subclass of  $P_i$ . If  $P_i$  is of the form **(eql object)**, then it is said that  $A_i$  *satisfies*  $P_i$  when the function **eql** applied to  $A_i$  and *object* is true.

Because a parameter specializer is a type specifier, the function **typep** can be used during method selection to determine whether an argument satisfies a parameter specializer. In general a parameter specializer cannot be a type specifier list, such as **(vector single-float)**. The only parameter specializer that can be a list is **(eql object)**. This requires that Common Lisp define the type specifier **eql** as if the following were evaluated:

```
(deftype eql (object) '(member ,object))
```

[See section 4.3.—GLS]

A method all of whose parameter specializers are the class named **t** is called a *default method*; it is always applicable but may be shadowed by a more specific method.

Methods can have *qualifiers*, which give the method combination procedure a way to distinguish among methods. A method that has one or more qualifiers is called a *qualified method*. A method with no qualifiers is called an *unqualified method*. A qualifier is any object other than a list, that is, any non-**nil** atom. The qualifiers defined by standard method combination and by the built-in method combination types are symbols.

In this specification, the terms *primary method* and *auxiliary method* are used to partition methods within a method combination type according to their intended use. In standard method combination, primary methods are unqualified methods, and auxiliary methods are methods with a single qualifier that is one of **:around**, **:before**, or **:after**. When a method combination type is defined using the short form of **define-method-combination**, primary methods are methods qualified with the name of the type of method



combination, and auxiliary methods have the qualifier **:around**. Thus the terms *primary method* and *auxiliary method* have only a relative definition within a given method combination type.

### Agreement on Parameter Specializers and Qualifiers

Two methods are said to agree with each other on parameter specializers and qualifiers if the following conditions hold:

- Both methods have the same number of required parameters. Suppose the parameter specializers of the two methods are  $P_{1,1} \dots P_{1,n}$  and  $P_{2,1} \dots P_{2,n}$ .
- For each  $1 \leq i \leq n$ ,  $P_{1,i}$  agrees with  $P_{2,i}$ . The parameter specializer  $P_{1,i}$  agrees with  $P_{2,i}$  if  $P_{1,i}$  and  $P_{2,i}$  are the same class or if  $P_{1,i} = (\mathbf{eq}object_1)$ ,  $P_{2,i} = (\mathbf{eq}object_2)$ , and  $(\mathbf{eq} object_1 object_2)$ . Otherwise  $P_{1,i}$  and  $P_{2,i}$  do not agree.
- The lists of qualifiers of both methods contain the same non-**nil** atoms in the same order. That is, the lists are **equal**.

### Congruent Lambda-Lists for All Methods of a Generic Function

These rules define the congruence of a set of lambda-lists, including the lambda-list of each method for a given generic function and the lambda-list specified for the generic function itself, if given.

- Each lambda-list must have the same number of required parameters.
- Each lambda-list must have the same number of optional parameters. Each method can supply its own default for an optional parameter.
- If any lambda-list mentions **&rest** or **&key**, each lambda-list must mention one or both of them.
- If the generic function lambda-list mentions **&key**, each method must accept all of the keyword names mentioned after **&key**, either by accepting them explicitly, by specifying **&allow-other-keys**, or by specifying **&rest** but not **&key**. Each method can accept additional keyword arguments of its own. The checking of the validity of keyword

names is done in the generic function, not in each method. A method is invoked as if the keyword argument pair whose keyword is **:allow-other-keys** and whose value is **t** were supplied, though no such argument pair will be passed.

- The use of **&allow-other-keys** need not be consistent across lambda-lists. If **&allow-other-keys** is mentioned in the lambda-list of any applicable method or of the generic function, any keyword arguments may be mentioned in the call to the generic function.
- The use of **&aux** need not be consistent across methods.

If a method-defining form that cannot specify generic function options creates a generic function, and if the lambda-list for the method mentions keyword arguments, the lambda-list of the generic function will mention **&key** (but no keyword arguments).

### Keyword Arguments in Generic Functions and Methods

When a generic function or any of its methods mentions **&key** in a lambda-list, the specific set of keyword arguments accepted by the generic function varies according to the applicable methods. The set of keyword arguments accepted by the generic function for a particular call is the union of the keyword arguments accepted by all applicable methods and the keyword arguments mentioned after **&key** in the generic function definition, if any. A method that has **&rest** but not **&key** does not affect the set of acceptable keyword arguments. If the lambda-list of any applicable method or of the generic function definition contains **&allow-other-keys**, all keyword arguments are accepted by the generic function.

The lambda-list congruence rules require that each method accept all of the keyword arguments mentioned after **&key** in the generic function definition, by accepting them explicitly, by specifying **&allow-other-keys**, or by specifying **&rest** but not **&key**. Each method can accept additional keyword arguments of its own, in addition to the keyword arguments mentioned in the generic function definition.

If a generic function is passed a keyword argument that no applicable method accepts, an error is signaled.

For example, suppose there are two methods defined for **width** as follows:

```
(defmethod width ((c character-class) &key font) ...)
```

```
(defmethod width ((p picture-class) &key pixel-size) ...)
```

Assume that there are no other methods and no generic function definition for **width**. The evaluation of the following form will signal an error because the keyword argument **:pixel-size** is not accepted by the applicable method.

```
(width (make-instance 'character-class :char #\Q)
       :font 'baskerville :pixel-size 10)
```

The evaluation of the following form will signal an error.

```
(width (make-instance 'picture-class :glyph (glyph #\Q))
       :font 'baskerville :pixel-size 10)
```

The evaluation of the following form will not signal an error if the class named **character-picture-class** is a subclass of both **picture-class** and **character-class**.

```
(width (make-instance 'character-picture-class :char #\Q)
       :font 'baskerville :pixel-size 10)
```

### 28.1.7 Method Selection and Combination

When a generic function is called with particular arguments, it must determine the code to execute. This code is called the *effective method* for those arguments. The effective method is a *combination* of the applicable methods in the generic function. A combination of methods is a Lisp expression that contains calls to some or all of the methods. If a generic function is called and no methods apply, the generic function **no-applicable-method** is invoked.

When the effective method has been determined, it is invoked with the same arguments that were passed to the generic function. Whatever values it returns are returned as the values of the generic function.

### Determining the Effective Method

The effective method for a set of arguments is determined by the following three-step procedure:

1. Select the applicable methods.
2. Sort the applicable methods by precedence order, putting the most specific method first.
3. Apply method combination to the sorted list of applicable methods, producing the effective method.

**Selecting the Applicable Methods.** This step is described in section 28.1.6.

**Sorting the Applicable Methods by Precedence Order.** To compare the precedence of two methods, their parameter specializers are examined in order. The default examination order is from left to right, but an alternative order may be specified by the **:argument-precedence-order** option to **defgeneric** or to any of the other forms that specify generic function options.

The corresponding parameter specializers from each method are compared. When a pair of parameter specializers are equal, the next pair are compared for equality. If all corresponding parameter specializers are equal, the two methods must have different qualifiers; in this case, either method can be selected to precede the other.

If some corresponding parameter specializers are not equal, the first pair of parameter specializers that are not equal determines the precedence. If both parameter specializers are classes, the more specific of the two methods is the method whose parameter specializer appears earlier in the class precedence list of the corresponding argument. Because of the way in which the set of applicable methods is chosen, the parameter specializers are guaranteed to be present in the class precedence list of the class of the argument.

If just one parameter specializer is (**eql object**), the method with that parameter specializer precedes the other method. If both parameter specializers are **eql** forms, the specializers must be the same (otherwise the two methods would not both have been applicable to this argument).

The resulting list of applicable methods has the most specific method first and the least specific method last.

### Applying Method Combination to the Sorted List of Applicable Methods.

In the simple case—if standard method combination is used and all applicable methods are primary methods—the effective method is the most specific method. That method can call the next most specific method by using the function **call-next-method**. The method that **call-next-method** will call is referred to as the *next method*. The predicate **next-method-p** tests whether a next method exists. If **call-next-method** is called and there is no next most specific method, the generic function **no-next-method** is invoked.

In general, the effective method is some combination of the applicable methods. It is defined by a Lisp form that contains calls to some or all of the applicable methods, returns the value or values that will be returned as the value or values of the generic function, and optionally makes some of the methods accessible by means of **call-next-method**. This Lisp form is the body of the effective method; it is augmented with an appropriate lambda-list to make it a function.

The role of each method in the effective method is determined by its method qualifiers and the specificity of the method. A qualifier serves to mark a method, and the meaning of a qualifier is determined by the way that these marks are used by this step of the procedure. If an applicable method has an unrecognized qualifier, this step signals an error and does not include that method in the effective method.

When standard method combination is used together with qualified methods, the effective method is produced as described in section 28.1.7.

Another type of method combination can be specified by using the **:method-combination** option of **defgeneric** or of any of the other forms that specify generic function options. In this way this step of the procedure can be customized.

New types of method combination can be defined by using the **define-method-combination** macro.

The meta-object level also offers a mechanism for defining new types of method combination. The generic function **compute-effective-method** receives as arguments the generic function, the method combination object, and the sorted list of applicable methods. It returns the Lisp form that defines the effective method. A method for **compute-effective-method** can be defined directly by using **defmethod** or indirectly by using **define-method-combination**. A *method combination object* is an object that encapsu-

lates the method combination type and options specified by the **:method-combination** option to forms that specify generic function options.

---

**Implementation note:** In the simplest implementation, the generic function would compute the effective method each time it was called. In practice, this will be too inefficient for some implementations. Instead, these implementations might employ a variety of optimizations of the three-step procedure. Some illustrative examples of such optimizations are the following:

- Use a hash table keyed by the class of the arguments to store the effective method.
- Compile the effective method and save the resulting compiled function in a table.
- Recognize the Lisp form as an instance of a pattern of control structure and substitute a closure that implements that structure.
- Examine the parameter specializers of all methods for the generic function and enumerate all possible effective methods. Combine the effective methods, together with code to select from among them, into a single function and compile that function. Call that function whenever the generic function is called.

---

### Standard Method Combination

Standard method combination is supported by the class **standard-generic-function**. It is used if no other type of method combination is specified or if the built-in method combination type **standard** is specified.

*Primary methods* define the main action of the effective method, while *auxiliary methods* modify that action in one of three ways. A primary method has no method qualifiers.

An auxiliary method is a method whose method qualifier is **:before**, **:after**, or **:around**. Standard method combination allows no more than one qualifier per method; if a method definition specifies more than one qualifier per method, an error is signaled.

- A **:before** method has the keyword **:before** as its only qualifier. A **:before** method specifies code that is to be run before any primary method.

- An **:after** method has the keyword **:after** as its only qualifier. An **:after** method specifies code that is to be run after primary methods.
- An **:around** method has the keyword **:around** as its only qualifier. An **:around** method specifies code that is to be run instead of other applicable methods but that is able to cause some of them to be run.

The semantics of standard method combination are as follows:

- If there are any **:around** methods, the most specific **:around** method is called. It supplies the value or values of the generic function.
- Inside the body of an **:around** method, **call-next-method** can be used to call the next method. When the next method returns, the **:around** method can execute more code, perhaps based on the returned value or values. The generic function **no-next-method** is invoked if **call-next-method** is used and there is no applicable method to call. The function **next-method-p** may be used to determine whether a next method exists.
- If an **:around** method invokes **call-next-method**, the next most specific **:around** method is called, if one is applicable. If there are no **:around** methods or if **call-next-method** is called by the least specific **:around** method, the other methods are called as follows:
  - All the **:before** methods are called, in most-specific-first order. Their values are ignored. An error is signaled if **call-next-method** is used in a **:before** method.
  - The most specific primary method is called. Inside the body of a primary method, **call-next-method** may be used to call the next most specific primary method. When that method returns, the previous primary method can execute more code, perhaps based on the returned value or values. The generic function **no-next-method** is invoked if **call-next-method** is used and there are no more applicable primary methods. The function **next-method-p** may be used to determine whether a next method exists. If **call-next-method** is not used, only the most specific primary method is called.

- All the **:after** methods are called in most-specific-last order. Their values are ignored. An error is signaled if **call-next-method** is used in an **:after** method.
- If no **:around** methods were invoked, the most specific primary method supplies the value or values returned by the generic function. The value or values returned by the invocation of **call-next-method** in the least specific **:around** method are those returned by the most specific primary method.

In standard method combination, if there is an applicable method but no applicable primary method, an error is signaled.

The **:before** methods are run in most-specific-first order and the **:after** methods are run in least-specific-first order. The design rationale for this difference can be illustrated with an example. Suppose class  $C_1$  modifies the behavior of its superclass,  $C_2$ , by adding **:before** and **:after** methods. Whether the behavior of the class  $C_2$  is defined directly by methods on  $C_2$  or is inherited from its superclasses does not affect the relative order of invocation of methods on instances of the class  $C_1$ . Class  $C_1$ 's **:before** method runs before all of class  $C_2$ 's methods. Class  $C_1$ 's **:after** method runs after all of class  $C_2$ 's methods.

By contrast, all **:around** methods run before any other methods run. Thus a less specific **:around** method runs before a more specific primary method.

If only primary methods are used and if **call-next-method** is not used, only the most specific method is invoked; that is, more specific methods shadow more general ones.

### Declarative Method Combination

The macro **define-method-combination** defines new forms of method combination. It provides a mechanism for customizing the production of the effective method. The default procedure for producing an effective method is described in section 28.1.7. There are two forms of **define-method-combination**. The short form is a simple facility; the long form is more powerful and more verbose. The long form resembles **defmacro** in that the body is an expression that computes a Lisp form; it provides mechanisms for implementing arbitrary control structures within method combination and



for arbitrary processing of method qualifiers. The syntax and use of both forms of **define-method-combination** are explained in section 28.2.

### Built-in Method Combination Types

The Common Lisp Object System provides a set of built-in method combination types. To specify that a generic function is to use one of these method combination types, the name of the method combination type is given as the argument to the **:method-combination** option to **defgeneric** or to the **:method-combination** option to any of the other forms that specify generic function options.

The names of the built-in method combination types are **+**, **and**, **append**, **list**, **max**, **min**, **nconc**, **or**, **progn**, and **standard**.

The semantics of the **standard** built-in method combination type were described in section 28.1.7. The other built-in method combination types are called *simple built-in method combination types*.

The simple built-in method combination types act as though they were defined by the short form of **define-method-combination**. They recognize two roles for methods:

- An **:around** method has the keyword symbol **:around** as its sole qualifier. The meaning of **:around** methods is the same as in standard method combination. Use of the functions **call-next-method** and **next-method-p** is supported in **:around** methods.
- A primary method has the name of the method combination type as its sole qualifier. For example, the built-in method combination type **and** recognizes methods whose sole qualifier is **and**; these are primary methods. Use of the functions **call-next-method** and **next-method-p** is not supported in primary methods.

The semantics of the simple built-in method combination types are as follows:

- If there are any **:around** methods, the most specific **:around** method is called. It supplies the value or values of the generic function.
- Inside the body of an **:around** method, the function **call-next-method** can be used to call the next method. The generic function

**no-next-method** is invoked if **call-next-method** is used and there is no applicable method to call. The function **next-method-p** may be used to determine whether a next method exists. When the next method returns, the **:around** method can execute more code, perhaps based on the returned value or values.

- If an **:around** method invokes **call-next-method**, the next most specific **:around** method is called, if one is applicable. If there are no **:around** methods or if **call-next-method** is called by the least specific **:around** method, a Lisp form derived from the name of the built-in method combination type and from the list of applicable primary methods is evaluated to produce the value of the generic function. Suppose the name of the method combination type is *operator* and the call to the generic function is of the form

*(generic-function a<sub>1</sub> ... a<sub>n</sub>)*

Let  $M_1, \dots, M_k$  be the applicable primary methods in order; then the derived Lisp form is

*(operator <M<sub>1</sub> a<sub>1</sub> ... a<sub>n</sub>> ... <M<sub>k</sub> a<sub>1</sub> ... a<sub>n</sub>>)*

If the expression  $\langle M_i a_1 \dots a_n \rangle$  is evaluated, the method  $M_i$  will be applied to the arguments  $a_1 \dots a_n$ . For example, if *operator* is **or**, the expression  $\langle M_i a_1 \dots a_n \rangle$  is evaluated only if  $\langle M_j a_1 \dots a_n \rangle$ ,  $1 \leq j < i$ , returned **nil**.

The default order for the primary methods is **:most-specific-first**. However, the order can be reversed by supplying **:most-specific-last** as the second argument to the **:method-combination** option.

The simple built-in method combination types require exactly one qualifier per method. An error is signaled if there are applicable methods with no qualifiers or with qualifiers that are not supported by the method combination type. An error is signaled if there are applicable **:around** methods and no applicable primary methods.

### 28.1.8 Meta-objects

The implementation of the Object System manipulates classes, methods, and generic functions. The meta-object protocol specifies a set of generic functions defined by methods on classes; the behavior of those generic functions defines the behavior of the Object System. The instances of the classes on which those methods are defined are called *meta-objects*. Programming at the meta-object protocol level involves defining new classes of meta-objects along with methods specialized on these classes.

#### Metaclasses

The *metaclass* of an object is the class of its class. The metaclass determines the representation of instances of its instances and the forms of inheritance used by its instances for slot descriptions and method inheritance. The metaclass mechanism can be used to provide particular forms of optimization or to tailor the Common Lisp Object System for particular uses. The protocol for defining metaclasses is discussed in the third part of the CLOS specification, The Common Lisp Object System Meta-Object Protocol 30.

#### Standard Metaclasses

The Common Lisp Object System provides a number of predefined metaclasses. These include the classes **standard-class**, **built-in-class**, and **structure-class**:

- The class **standard-class** is the default class of classes defined by **defclass**.
- The class **built-in-class** is the class whose instances are classes that have special implementations with restricted capabilities. Any class that corresponds to a standard Common Lisp type might be an instance of **built-in-class**. The predefined Common Lisp type specifiers that are required to have corresponding classes are listed in table 28.1. It is implementation-dependent whether each of these classes is implemented as a built-in class.
- All classes defined by means of **defstruct** are instances of **structure-class**.

## Standard Meta-objects

The Object System supplies a standard set of meta-objects, called *standard meta-objects*. These include the class **standard-object** and instances of the classes **standard-method**, **standard-generic-function**, and **method-combination**.

- The class **standard-method** is the default class of methods that are defined by the forms **defmethod**, **defgeneric**, **generic-function**.
- The class **standard-generic-function** is the default class of generic functions defined by the forms **defmethod**, **defgeneric**, **generic-function**, and **defclass**.
- The class named **standard-object** is an instance of the class **standard-class** and is a superclass of every class that is an instance of **standard-class** except itself.
- Every method combination object is an instance of a subclass of the class **method-combination**.

### 28.1.9 Object Creation and Initialization

The generic function **make-instance** creates and returns a new instance of a class. The first argument is a class or the name of a class, and the remaining arguments form an *initialization argument* list.

The initialization of a new instance consists of several distinct steps, including the following: combining the explicitly supplied initialization arguments with default values for the unsupplied initialization arguments, checking the validity of the initialization arguments, allocating storage for the instance, filling slots with values, and executing user-supplied methods that perform additional initialization. Each step of **make-instance** is implemented by a generic function to provide a mechanism for customizing that step. In addition, **make-instance** is itself a generic function and thus also can be customized.

The Object System specifies system-supplied primary methods for each step and thus specifies a well-defined standard behavior for the entire initialization process. The standard behavior provides four simple mechanisms for controlling initialization:

- Declaring a symbol to be an initialization argument for a slot. An initialization argument is declared by using the **:initarg** slot option to **defclass**. This provides a mechanism for supplying a value for a slot in a call to **make-instance**.
- Supplying a default value form for an initialization argument. Default value forms for initialization arguments are defined by using the **:default-initargs** class option to **defclass**. If an initialization argument is not explicitly provided as an argument to **make-instance**, the default value form is evaluated in the lexical environment of the **defclass** form that defined it, and the resulting value is used as the value of the initialization argument.
- Supplying a default initial value form for a slot. A default initial value form for a slot is defined by using the **:initform** slot option to **defclass**. If no initialization argument associated with that slot is given as an argument to **make-instance** or is defaulted by **:default-initargs**, this default initial value form is evaluated in the lexical environment of the **defclass** form that defined it, and the resulting value is stored in the slot. The **:initform** form for a local slot may be used when creating an instance, when updating an instance to conform to a redefined class, or when updating an instance to conform to the definition of a different class. The **:initform** form for a shared slot may be used when defining or re-defining the class.
- Defining methods for **initialize-instance** and **shared-initialize**. The slot-filling behavior described above is implemented by a system-supplied primary method for **initialize-instance** which invokes **shared-initialize**. The generic function **shared-initialize** implements the parts of initialization shared by these four situations: when making an instance, when re-initializing an instance, when updating an instance to conform to a redefined class, and when updating an instance to conform to the definition of a different class. The system-supplied primary method for **shared-initialize** directly implements the slot-filling behavior described above, and **initialize-instance** simply invokes **shared-initialize**.

## Initialization Arguments

An initialization argument controls object creation and initialization. It is often convenient to use keyword symbols to name initialization arguments, but the name of an initialization argument can be any symbol, including **nil**. An initialization argument can be used in two ways: to fill a slot with a value or to provide an argument for an initialization method. A single initialization argument can be used for both purposes.

An *initialization argument list* is a list of alternating initialization argument names and values. Its structure is identical to a property list and also to the portion of an argument list processed for **&key** parameters. As in those lists, if an initialization argument name appears more than once in an initialization argument list, the leftmost occurrence supplies the value and the remaining occurrences are ignored. The arguments to **make-instance** (after the first argument) form an initialization argument list. Error checking of initialization argument names is disabled if the keyword argument pair whose keyword is **:allow-other-keys** and whose value is non-**nil** appears in the initialization argument list.

An initialization argument can be associated with a slot. If the initialization argument has a value in the initialization argument list, the value is stored into the slot of the newly created object, overriding any **:initform** form associated with the slot. A single initialization argument can initialize more than one slot. An initialization argument that initializes a shared slot stores its value into the shared slot, replacing any previous value.

An initialization argument can be associated with a method. When an object is created and a particular initialization argument is supplied, the generic functions **initialize-instance**, **shared-initialize**, and **allocate-instance** are called with that initialization argument's name and value as a keyword argument pair. If a value for the initialization argument is not supplied in the initialization argument list, the method's lambda-list supplies a default value.

Initialization arguments are used in four situations: when making an instance, when re-initializing an instance, when updating an instance to conform to a redefined class, and when updating an instance to conform to the definition of a different class.

Because initialization arguments are used to control the creation and initialization of an instance of some particular class, we say that an initialization argument is “an initialization argument for” that class.

## Declaring the Validity of Initialization Arguments

Initialization arguments are checked for validity in each of the four situations that use them. An initialization argument may be valid in one situation and not another. For example, the system-supplied primary method for **make-instance** defined for the class **standard-class** checks the validity of its initialization arguments and signals an error if an initialization argument is supplied that is not declared valid in that situation.

There are two means of declaring initialization arguments valid.

- Initialization arguments that fill slots are declared valid by the **:initarg** slot option to **defclass**. The **:initarg** slot option is inherited from superclasses. Thus the set of valid initialization arguments that fill slots for a class is the union of the initialization arguments that fill slots declared valid by that class and its superclasses. Initialization arguments that fill slots are valid in all four contexts.
- Initialization arguments that supply arguments to methods are declared valid by defining those methods. The keyword name of each keyword parameter specified in the method's lambda-list becomes an initialization argument for all classes for which the method is applicable. Thus method inheritance controls the set of valid initialization arguments that supply arguments to methods. The generic functions for which method definitions serve to declare initialization arguments valid are as follows:
  - Making an instance of a class: **allocate-instance**, **initialize-instance**, and **shared-initialize**. Initialization arguments declared valid by these methods are valid when making an instance of a class.
  - Re-initializing an instance: the functions **reinitialize-instance** and **shared-initialize**. Initialization arguments declared valid by these methods are valid when re-initializing an instance.
  - Updating an instance to conform to a redefined class: **update-instance-for-redefined-class** and **shared-initialize**. Initialization arguments declared valid by these methods are valid when updating an instance to conform to a redefined class.

- Updating an instance to conform to the definition of a different class: **update-instance-for-different-class** and **shared-initialize**. Initialization arguments declared valid by these methods are valid when updating an instance to conform to the definition of a different class.

The set of valid initialization arguments for a class is the set of valid initialization arguments that either fill slots or supply arguments to methods, along with the predefined initialization argument **:allow-other-keys**. The default value for **:allow-other-keys** is **nil**. The meaning of **:allow-other-keys** is the same here as when it is passed to an ordinary function.

### Defaulting of Initialization Arguments

A *default value form* can be supplied for an initialization argument by using the **:default-initargs** class option. If an initialization argument is declared valid by some particular class, its default value form might be specified by a different class. In this case **:default-initargs** is used to supply a default value for an inherited initialization argument.

The **:default-initargs** option is used only to provide default values for initialization arguments; it does not declare a symbol as a valid initialization argument name. Furthermore, the **:default-initargs** option is used only to provide default values for initialization arguments when making an instance.

The argument to the **:default-initargs** class option is a list of alternating initialization argument names and forms. Each form is the default value form for the corresponding initialization argument. The default value form of an initialization argument is used and evaluated only if that initialization argument does not appear in the arguments to **make-instance** and is not defaulted by a more specific class. The default value form is evaluated in the lexical environment of the **defclass** form that supplied it; the result is used as the initialization argument's value.

The initialization arguments supplied to **make-instance** are combined with defaulted initialization arguments to produce a *defaulted initialization argument list*. A defaulted initialization argument list is a list of alternating initialization argument names and values in which unsupplied initialization arguments are defaulted and in which the explicitly supplied initialization arguments appear earlier in the list than the defaulted initialization arguments. Defaulted initialization arguments are ordered according to the order



in the class precedence list of the classes that supplied the default values.

There is a distinction between the purposes of the **:default-initargs** and the **:initform** options with respect to the initialization of slots. The **:default-initargs** class option provides a mechanism for the user to give a default value form for an initialization argument without knowing whether the initialization argument initializes a slot or is passed to a method. If that initialization argument is not explicitly supplied in a call to **make-instance**, the default value form is used, just as if it had been supplied in the call. In contrast, the **:initform** slot option provides a mechanism for the user to give a default initial value form for a slot. An **:initform** form is used to initialize a slot only if no initialization argument associated with that slot is given as an argument to **make-instance** or is defaulted by **:default-initargs**.

The order of evaluation of default value forms for initialization arguments and the order of evaluation of **:initform** forms are undefined. If the order of evaluation matters, use **initialize-instance** or **shared-initialize** methods.

### Rules for Initialization Arguments

The **:initarg** slot option may be specified more than once for a given slot. The following rules specify when initialization arguments may be multiply defined:

- A given initialization argument can be used to initialize more than one slot if the same initialization argument name appears in more than one **:initarg** slot option.
- A given initialization argument name can appear in the lambda-list of more than one initialization method.
- A given initialization argument name can appear both in an **:initarg** slot option and in the lambda-list of an initialization method.

If two or more initialization arguments that initialize the same slot are given in the arguments to **make-instance**, the leftmost of these initialization arguments in the initialization argument list supplies the value, even if the initialization arguments have different names.

If two or more different initialization arguments that initialize the same slot have default values and none is given explicitly in the arguments to

**make-instance**, the initialization argument that appears in a **:default-initargs** class option in the most specific of the classes supplies the value. If a single **:default-initargs** class option specifies two or more initialization arguments that initialize the same slot and none is given explicitly in the arguments to **make-instance**, the leftmost argument in the **:default-initargs** class option supplies the value, and the values of the remaining default value forms are ignored.

Initialization arguments given explicitly in the arguments to **make-instance** appear to the left of defaulted initialization arguments. Suppose that the classes  $C_1$  and  $C_2$  supply the values of defaulted initialization arguments for different slots, and suppose that  $C_1$  is more specific than  $C_2$ ; then the defaulted initialization argument whose value is supplied by  $C_1$  is to the left of the defaulted initialization argument whose value is supplied by  $C_2$  in the defaulted initialization argument list. If a single **:default-initargs** class option supplies the values of initialization arguments for two different slots, the initialization argument whose value is specified farther to the left in the **default-initargs** class option appears farther to the left in the defaulted initialization argument list.

If a slot has both an **:initform** form and an **:initarg** slot option, and the initialization argument is defaulted using **:default-initargs** or is supplied to **make-instance**, the captured **:initform** form is neither used nor evaluated.

The following is an example of the preceding rules:

```
(defclass q () ((x :initarg a)))
```

```
(defclass r (q) ((x :initarg b)
  (:default-initargs a 1 b 2)))
```

Form	Defaulted Initialization Argument List	Contents of Slot
( <b>make-instance</b> 'r)	(a 1 b 2)	1
( <b>make-instance</b> 'r 'a 3)	(a 3 b 2)	3
( <b>make-instance</b> 'r 'b 4)	(b 4 a 1)	4
( <b>make-instance</b> 'r 'a 1 'a 2)	(a 1 a 2 b 2)	1

### Shared-Initialize

The generic function **shared-initialize** is used to fill the slots of an instance using initialization arguments and **:initform** forms when an instance

is created, when an instance is re-initialized, when an instance is updated to conform to a redefined class, and when an instance is updated to conform to a different class. It uses standard method combination. It takes the following arguments: the instance to be initialized, a specification of a set of names of slots accessible in that instance, and any number of initialization arguments. The arguments after the first two must form an initialization argument list.

The second argument to **shared-initialize** may be one of the following:

- It can be a list of slot names, which specifies the set of those slot names.
- It can be **nil**, which specifies the empty set of slot names.
- It can be the symbol **t**, which specifies the set of all of the slots.

There is a system-supplied primary method for **shared-initialize** whose first parameter specializer is the class **standard-object**. This method behaves as follows on each slot, whether shared or local:

- If an initialization argument in the initialization argument list specifies a value for that slot, that value is stored into the slot, even if a value has already been stored in the slot before the method is run. The affected slots are independent of which slots are indicated by the second argument to **shared-initialize**.
- Any slots indicated by the second argument that are still unbound at this point are initialized according to their **:initform** forms. For any such slot that has an **:initform** form, that form is evaluated in the lexical environment of its defining **defclass** form and the result is stored into the slot. For example, if a **:before** method stores a value in the slot, the **:initform** form will not be used to supply a value for the slot. If the second argument specifies a name that does not correspond to any slots accessible in the instance, the results are unspecified.
- The rules mentioned in section 28.1.9 are obeyed.

The generic function **shared-initialize** is called by the system-supplied primary methods for the generic functions **initialize-instance**, **reinitialize-instance**, **update-instance-for-different-class**, and **update-instance-for-redefined-class**. Thus methods can be written for **shared-initialize** to specify actions that should be taken in all of these contexts.

### Initialize-Instance

The generic function **initialize-instance** is called by **make-instance** to initialize a newly created instance. It uses standard method combination. Methods for **initialize-instance** can be defined in order to perform any initialization that cannot be achieved with the simple slot-filling mechanisms.

During initialization, **initialize-instance** is invoked after the following actions have been taken:

- The defaulted initialization argument list has been computed by combining the supplied initialization argument list with any default initialization arguments for the class.
- The validity of the defaulted initialization argument list has been checked. If any of the initialization arguments has not been declared valid, an error is signaled.
- A new instance whose slots are unbound has been created.

The generic function **initialize-instance** is called with the new instance and the defaulted initialization arguments. There is a system-supplied primary method for **initialize-instance** whose parameter specializer is the class **standard-object**. This method calls the generic function **shared-initialize** to fill in the slots according to the initialization arguments and the **:initform** forms for the slots; the generic function **shared-initialize** is called with the following arguments: the instance, **t**, and the defaulted initialization arguments.

Note that **initialize-instance** provides the defaulted initialization argument list in its call to **shared-initialize**, so the first step performed by the system-supplied primary method for **shared-initialize** takes into account both the initialization arguments provided in the call to **make-instance** and the defaulted initialization argument list.

Methods for **initialize-instance** can be defined to specify actions to be taken when an instance is initialized. If only **:after** methods for **initialize-instance** are defined, they will be run after the system-supplied primary method for initialization and therefore they will not interfere with the default behavior of **initialize-instance**.

The Object System provides two functions that are useful in the bodies of **initialize-instance** methods. The function **slot-boundp** returns a

boolean value that indicates whether a specified slot has a value; this provides a mechanism for writing **:after** methods for **initialize-instance** that initialize slots only if they have not already been initialized. The function **slot-makunbound** causes the slot to have no value.

### Definitions of Make-Instance and Initialize-Instance

The generic function **make-instance** behaves as if it were defined as follows, except that certain optimizations are permitted:

```
(defmethod make-instance ((class standard-class) &rest initargs)
  (setq initargs (default-initargs class initargs))
  ...
  (let ((instance (apply #'allocate-instance class initargs)))
    (apply #'initialize-instance instance initargs)
    instance))

(defmethod make-instance ((class-name symbol) &rest initargs)
  (apply #'make-instance (find-class class-name) initargs))
```

The elided code in the definition of **make-instance** checks the supplied initialization arguments to determine whether an initialization argument was supplied that neither filled a slot nor supplied an argument to an applicable method. This check could be implemented using the generic functions **class-prototype**, **compute-applicable-methods**, **function-keywords**, and **class-slot-initargs**. See the third part of the Common Lisp Object System specification for a description of this initialization argument check.

The generic function **initialize-instance** behaves as if it were defined as follows, except that certain optimizations are permitted:

```
(defmethod initialize-instance
  ((instance standard-object) &rest initargs)
  (apply #'shared-initialize instance t initargs)))
```

These procedures can be customized at either the Programmer Interface level, the meta-object level, or both.

Customizing at the Programmer Interface level includes using the **:init-form**, **:initarg**, and **:default-initargs** options to **defclass**, as well as defining methods for **make-instance** and **initialize-instance**. It is also possible to define methods for **shared-initialize**, which would be invoked

by the generic functions **reinitialize-instance**, **update-instance-for-redefined-class**, **update-instance-for-different-class**, and **initialize-instance**. The meta-object level supports additional customization by allowing methods to be defined on **make-instance**, **default-initargs**, and **allocate-instance**. Parts 2 and 3 of the Common Lisp Object System specification document each of these generic functions and the system-supplied primary methods. [The third part has not yet been approved by X3J13 for inclusion in the forthcoming Common Lisp standard and is not included in this book.—GLS]

Implementations are permitted to make certain optimizations to **initialize-instance** and **shared-initialize**. The description of **shared-initialize** in section 28.2 mentions the possible optimizations.

Because of optimization, the check for valid initialization arguments might not be implemented using the generic functions **class-prototype**, **compute-applicable-methods**, **function-keywords**, and **class-slot-initargs**. In addition, methods for the generic function **default-initargs** and the system-supplied primary methods for **allocate-instance**, **initialize-instance**, and **shared-initialize** might not be called on every call to **make-instance** or might not receive exactly the arguments that would be expected.

### 28.1.10 Redefining Classes

A class that is an instance of **standard-class** can be redefined if the new class will also be an instance of **standard-class**. Redefining a class modifies the existing class object to reflect the new class definition; it does not create a new class object for the class. Any method object created by a **:reader**, **:writer**, or **:accessor** option specified by the old **defclass** form is removed from the corresponding generic function. Methods specified by the new **defclass** form are added.

When the class *C* is redefined, changes are propagated to its instances and to instances of any of its subclasses. Updating such an instance occurs at an implementation-dependent time, but no later than the next time a slot of that instance is read or written. Updating an instance does not change its identity as defined by the **eq** function. The updating process may change the slots of that particular instance, but it does not create a new instance. Whether updating an instance consumes storage is implementation-dependent.

Note that redefining a class may cause slots to be added or deleted. If a class is redefined in a way that changes the set of local slots accessible

in instances, the instances will be updated. It is implementation-dependent whether instances are updated if a class is redefined in a way that does not change the set of local slots accessible in instances.

The value of a slot that is specified as shared both in the old class and in the new class is retained. If such a shared slot was unbound in the old class, it will be unbound in the new class. Slots that were local in the old class and that are shared in the new class are initialized. Newly added shared slots are initialized.

Each newly added shared slot is set to the result of evaluating the captured **:initform** form for the slot that was specified in the **defclass** form for the new class. If there is no **:initform** form, the slot is unbound.

If a class is redefined in such a way that the set of local slots accessible in an instance of the class is changed, a two-step process of updating the instances of the class takes place. The process may be explicitly started by invoking the generic function **make-instances-obsolete**. This two-step process can happen in other circumstances in some implementations. For example, in some implementations this two-step process will be triggered if the order of slots in storage is changed.

The first step modifies the structure of the instance by adding new local slots and discarding local slots that are not defined in the new version of the class. The second step initializes the newly added local slots and performs any other user-defined actions. These steps are further specified in the next two sections.

### Modifying the Structure of Instances

The first step modifies the structure of instances of the redefined class to conform to its new class definition. Local slots specified by the new class definition that are not specified as either local or shared by the old class are added, and slots not specified as either local or shared by the new class definition that are specified as local by the old class are discarded. The names of these added and discarded slots are passed as arguments to **update-instance-for-redefined-class** as described in the next section.

The values of local slots specified by both the new and old classes are retained. If such a local slot was unbound, it remains unbound.

The value of a slot that is specified as shared in the old class and as local in the new class is retained. If such a shared slot was unbound, the local slot will be unbound.

### Initializing Newly Added Local Slots

The second step initializes the newly added local slots and performs any other user-defined actions. This step is implemented by the generic function **update-instance-for-redefined-class**, which is called after completion of the first step of modifying the structure of the instance.

The generic function **update-instance-for-redefined-class** takes four required arguments: the instance being updated after it has undergone the first step, a list of the names of local slots that were added, a list of the names of local slots that were discarded, and a property list containing the slot names and values of slots that were discarded and had values. Included among the discarded slots are slots that were local in the old class and that are shared in the new class.

The generic function **update-instance-for-redefined-class** also takes any number of initialization arguments. When it is called by the system to update an instance whose class has been redefined, no initialization arguments are provided.

There is a system-supplied primary method for the generic function **update-instance-for-redefined-class** whose parameter specializer for its instance argument is the class **standard-object**. First this method checks the validity of initialization arguments and signals an error if an initialization argument is supplied that is not declared valid (see section 28.1.9.) Then it calls the generic function **shared-initialize** with the following arguments: the instance, the list of names of the newly added slots, and the initialization arguments it received.

### Customizing Class Redefinition

Methods for **update-instance-for-redefined-class** may be defined to specify actions to be taken when an instance is updated. If only **:after** methods for **update-instance-for-redefined-class** are defined, they will be run after the system-supplied primary method for initialization and therefore will not interfere with the default behavior of **update-instance-for-redefined-class**. Because no initialization arguments are passed to **update-instance-for-redefined-class** when it is called by the system, the **:initform** forms for slots that are filled by **:before** methods for **update-instance-for-redefined-class** will not be evaluated by **shared-initialize**.

Methods for **shared-initialize** may be defined to customize class redefi-



inition (see section 28.1.9).

## Extensions

There are two allowed extensions to class redefinition:

- The Object System may be extended to permit the new class to be an instance of a metaclass other than the metaclass of the old class.
- The Object System may be extended to support an updating process when either the old or the new class is an instance of a class other than **standard-class** that is not a built-in class.

### 28.1.11 Changing the Class of an Instance

The function **change-class** can be used to change the class of an instance from its current class,  $C_{from}$ , to a different class,  $C_{to}$ ; it changes the structure of the instance to conform to the definition of the class  $C_{to}$ .

Note that changing the class of an instance may cause slots to be added or deleted.

When **change-class** is invoked on an instance, a two-step updating process takes place. The first step modifies the structure of the instance by adding new local slots and discarding local slots that are not specified in the new version of the instance. The second step initializes the newly added local slots and performs any other user-defined actions. These steps are further described in the following two sections.

#### Modifying the Structure of an Instance

In order to make an instance conform to the class  $C_{to}$ , local slots specified by the class  $C_{to}$  that are not specified by the class  $C_{from}$  are added, and local slots not specified by the class  $C_{to}$  that are specified by the class  $C_{from}$  are discarded.

The values of local slots specified by both the class  $C_{to}$  and the class  $C_{from}$  are retained. If such a local slot was unbound, it remains unbound.

The values of slots specified as shared in the class  $C_{from}$  and as local in the class  $C_{to}$  are retained.

This first step of the update does not affect the values of any shared slots.

### Initializing Newly Added Local Slots

The second step of the update initializes the newly added slots and performs any other user-defined actions. This step is implemented by the generic function **update-instance-for-different-class**. The generic function **update-instance-for-different-class** is invoked by **change-class** after the first step of the update has been completed.

The generic function **update-instance-for-different-class** is invoked on two arguments computed by **change-class**. The first argument passed is a copy of the instance being updated and is an instance of the class  $C_{from}$ ; this copy has dynamic extent within the generic function **change-class**. The second argument is the instance as updated so far by **change-class** and is an instance of the class  $C_{to}$ .

The generic function **update-instance-for-different-class** also takes any number of initialization arguments. When it is called by **change-class**, no initialization arguments are provided.

There is a system-supplied primary method for the generic function **update-instance-for-different-class** that has two parameter specializers, each of which is the class **standard-object**. First this method checks the validity of initialization arguments and signals an error if an initialization argument is supplied that is not declared valid (see section 28.1.9). Then it calls the generic function **shared-initialize** with the following arguments: the instance, a list of names of the newly added slots, and the initialization arguments it received.

### Customizing the Change of Class of an Instance

Methods for **update-instance-for-different-class** may be defined to specify actions to be taken when an instance is updated. If only **:after** methods for **update-instance-for-different-class** are defined, they will be run after the system-supplied primary method for initialization and will not interfere with the default behavior of **update-instance-for-different-class**. Because no initialization arguments are passed to **update-instance-for-different-class** when it is called by **change-class**, the **:initform** forms for slots that are filled by **:before** methods for **update-instance-for-different-class** will not be evaluated by **shared-initialize**.

Methods for **shared-initialize** may be defined to customize class redefinition (see section 28.1.9).

### 28.1.12 Reinitializing an Instance

The generic function **reinitialize-instance** may be used to change the values of slots according to initialization arguments.

The process of reinitialization changes the values of some slots and performs any user-defined actions.

Reinitialization does not modify the structure of an instance to add or delete slots, and it does not use any **:initform** forms to initialize slots.

The generic function **reinitialize-instance** may be called directly. It takes one required argument, the instance. It also takes any number of initialization arguments to be used by methods for **reinitialize-instance** or for **shared-initialize**. The arguments after the required instance must form an initialization argument list.

There is a system-supplied primary method for **reinitialize-instance** whose parameter specializer is the class **standard-object**. First this method checks the validity of initialization arguments and signals an error if an initialization argument is supplied that is not declared valid (see section 28.1.9). Then it calls the generic function **shared-initialize** with the following arguments: the instance, **nil**, and the initialization arguments it received.

#### Customizing Reinitialization

Methods for the generic function **reinitialize-instance** may be defined to specify actions to be taken when an instance is updated. If only **:after** methods for **reinitialize-instance** are defined, they will be run after the system-supplied primary method for initialization and therefore will not interfere with the default behavior of **reinitialize-instance**.

Methods for **shared-initialize** may be defined to customize class redefinition (see section 28.1.9).

## 28.2 Functions in the Programmer Interface

This section describes the functions, macros, special operators, and generic functions provided by the Common Lisp Object System Programmer Interface. The Programmer Interface comprises the functions and macros that are sufficient for writing most object-oriented programs.

This section is reference material that requires an understanding of the

basic concepts of the Common Lisp Object System. The functions are arranged in alphabetical order for convenient reference.

The description of each function, macro, special operator, and generic function includes its purpose, its syntax, the semantics of its arguments and returned values, and often an example and cross-references to related functions.

The syntax description for a function, macro, or special operator describes its parameters. The description of a generic function includes descriptions of the methods that are defined on that generic function by the Common Lisp Object System. A *method signature* is used to describe the parameters and parameter specializers for each method.

The following is an example of the format for the syntax description of a generic function with the method signature for one primary method:

```
[Generic function] f x y &optional z &key :k
[Primary method] f (x class) (y t) &optional z &key :k
```

This description indicates that the generic function **f** has two required parameters, *x* and *y*. In addition, there is an optional parameter *z* and a keyword parameter **:k**.

The method signature indicates that this method on the generic function **f** has two required parameters, *x*, which must be an instance of the class **class**, and *y*, which can be any object. In addition, there is an optional parameter *z* and a keyword parameter **:k**. The signature also indicates that this method on **f** is a primary method and has no qualifiers.

The syntax description for a generic function describes the lambda-list of the generic function itself, while the method signatures describe the lambda-lists of the defined methods.

The generic functions described in this book are all standard generic functions. They all use standard method combination.

Any implementation of the Common Lisp Object System is allowed to provide additional methods on the generic functions described here.

It is useful to categorize the functions and macros according to their role in this standard:

- *Tools used for simple object-oriented programming*

These tools allow for defining new classes, methods, and generic functions and for making instances. Some tools used within method bodies

are also listed here. Some of the macros listed here have a corresponding function that performs the same task at a lower level of abstraction.

<b>call-next-method</b>	<b>initialize-instance</b>
<b>change-class</b>	<b>make-instance</b>
<b>defclass</b>	<b>next-method-p</b>
<b>defgeneric</b>	<b>slot-boundp</b>
<b>defmethod</b>	<b>slot-value</b>
	<b>with-accessors</b>
<b>generic-function</b>	
	<b>with-slots</b>

- *Functions underlying the commonly used macros*

<b>add-method</b>	<b>reinitialize-instance</b>
<b>class-name</b>	<b>remove-method</b>
<b>compute-applicable-methods</b>	<b>shared-initialize</b>
<b>ensure-generic-function</b>	<b>slot-exists-p</b>
<b>find-class</b>	<b>slot-makunbound</b>
<b>find-method</b>	<b>slot-missing</b>
<b>function-keywords</b>	<b>slot-unbound</b>
<b>make-instances-obsolete</b>	<b>update-instance-for-different-class</b>
<b>no-applicable-method</b>	<b>update-instance-for-redefined-class</b>
<b>no-next-method</b>	

- *Tools for declarative method combination*

<b>call-method</b>	<b>method-combination-error</b>
<b>define-method-combination</b>	<b>method-qualifiers</b>
<b>invalid-method-error</b>	

- *General Common Lisp support tools*

<b>class-of</b>	<b>print-object</b>
<b>documentation</b>	<b>symbol-macrolet</b>

[Note that **describe** appeared in this list in the original CLOS proposal [5, 7], but X3J13 voted in March 1989 not to make **describe** a generic function after all (see **describe-object**).—GLS]

[At this point the original CLOS report contained a description of the `[[ ]]` and `↓` notation; that description is omitted here. I have adopted the notation for use throughout this book. It is described in section 1.2.5.—GLS]

[*Generic function*] **add-method** *generic-function method*  
 [*Primary method*] **add-method**  
 (*generic-function* standard-generic-function) (*method* method)

The generic function **add-method** adds a method to a generic function. It destructively modifies the generic function and returns the modified generic function as its result.

The *generic-function* argument is a generic function object.

The *method* argument is a method object. The lambda-list of the method function must be congruent with the lambda-list of the generic function, or an error is signaled.

The modified generic function is returned. The result of **add-method** is **eq** to the *generic-function* argument.

If the given method agrees with an existing method of the generic function on parameter specializers and qualifiers, the existing method is replaced. See section 28.1.6 for a definition of agreement in this context.

If the method object is a method object of another generic function, an error is signaled.

See section 28.1.6 as well as **defmethod**, **defgeneric**, **find-method**, and **remove-method**.

[*Macro*] **call-method** *method next-method-list*

The macro **call-method** is used in method combination. This macro hides the implementation-dependent details of how methods are called. It can be used only within an effective method form, for the name **call-method** is defined only within the lexical scope of such a form.

The macro **call-method** invokes the specified method, supplying it with arguments and with definitions for **call-next-method** and for **next-method-p**. The arguments are the arguments that were supplied to the effective method form containing the invocation of **call-method**. The definitions of **call-next-method** and **next-method-p** rely on the list of method objects given as the second argument to **call-method**.

The **call-next-method** function available to the method that is the first subform will call the first method in the list that is the second subform. The **call-next-method** function available in that method, in turn, will call the second method in the list that is the second subform, and so on, until the list of next methods is exhausted.

The *method* argument is a method object; the *next-method-list* argument is a list of method objects.

A list whose first element is the symbol **make-method** and whose second element is a Lisp form can be used instead of a method object as the first subform of **call-method** or as an element of the second subform of **call-method**. Such a list specifies a method object whose method function has a body that is the given form.

The result of **call-method** is the value or values returned by the method invocation.

See **call-next-method**, **define-method-combination**, and **next-method-p**.

*[Function]* **call-next-method** &rest *args*

The function **call-next-method** can be used within the body of a method defined by a method-defining form to call the next method.

The function **call-next-method** returns the value or values returned by the method it calls. If there is no next method, the generic function **no-next-method** is called.

The type of method combination used determines which methods can invoke **call-next-method**. The standard method combination type allows **call-next-method** to be used within primary methods and **:around** methods.

The standard method combination type defines the next method according to the following rules:

- If **call-next-method** is used in an **:around** method, the next method is the next most specific **:around** method, if one is applicable.
- If there are no **:around** methods at all or if **call-next-method** is called by the least specific **:around** method, other methods are called as follows:

- All the **:before** methods are called, in most-specific-first order. The function **call-next-method** cannot be used in **:before** methods.
- The most specific primary method is called. Inside the body of a primary method, **call-next-method** may be used to pass control to the next most specific primary method. The generic function **no-next-method** is called if **call-next-method** is used and there are no more primary methods.
- All the **:after** methods are called in most-specific-last order. The function **call-next-method** cannot be used in **:after** methods.

For further discussion of the use of **call-next-method**, see sections 28.1.7 and 28.1.7.

When **call-next-method** is called with no arguments, it passes the current method's original arguments to the next method. Neither argument defaulting, nor using **setq**, nor rebinding variables with the same names as parameters of the method affects the values **call-next-method** passes to the method it calls.

When **call-next-method** is called with arguments, the next method is called with those arguments. When providing arguments to **call-next-method**, the following rule must be satisfied or an error is signaled: The ordered set of methods applicable for a changed set of arguments for **call-next-method** must be the same as the ordered set of applicable methods for the original arguments to the generic function. Optimizations of the error checking are possible, but they must not change the semantics of **call-next-method**.

If **call-next-method** is called with arguments but omits optional arguments, the next method called defaults those arguments.

The function **call-next-method** returns the value or values returned by the method it calls.

Further computation is possible after **call-next-method** returns.

The definition of the function **call-next-method** has lexical scope (for it is defined only within the body of a method defined by a method-defining form) and indefinite extent.

For generic functions using a type of method combination defined by the short form of **define-method-combination**, **call-next-method** can be used in **:around** methods only.



The function **next-method-p** can be used to test whether or not there is a next method.

If **call-next-method** is used in methods that do not support it, an error is signaled.

See sections 28.1.7, 28.1.7, and 28.1.7 as well as the functions **define-method-combination**, **next-method-p**, and **no-next-method**.

*[Generic function]* **change-class** *instance new-class*  
*[Primary method]* **change-class** (*instance* standard-object)  
(*new-class* standard-class)  
*[Primary method]* **change-class** (*instance* t) (*new-class* symbol)

The generic function **change-class** changes the class of an instance to a new class. It destructively modifies and returns the instance.

If in the old class there is any slot of the same name as a local slot in the new class, the value of that slot is retained. This means that if the slot has a value, the value returned by **slot-value** after **change-class** is invoked is **eq** to the value returned by **slot-value** before **change-class** is invoked. Similarly, if the slot was unbound, it remains unbound. The other slots are initialized as described in section 28.1.11.

The *instance* argument is a Lisp object.

The *new-class* argument is a class object or a symbol that names a class.

If the second of the preceding methods is selected, that method invokes **change-class** on *instance* and (**find-class** *new-class*).

The modified instance is returned. The result of **change-class** is **eq** to the *instance* argument.

Examples:

```
(defclass position () ())

(defclass x-y-position (position)
  ((x :initform 0 :initarg :x)
   (y :initform 0 :initarg :y)))

(defclass rho-theta-position (position)
  ((rho :initform 0)
   (theta :initform 0)))
```

```
(defmethod update-instance-for-different-class :before
  ((old x-y-position)
   (new rho-theta-position)
   &key)
  ;; Copy the position information from old to new to make new
  ;; be a rho-theta-position at the same position as old.
  (let ((x (slot-value old 'x))
        (y (slot-value old 'y)))
    (setf (slot-value new 'rho) (sqrt (+ (* x x) (* y y)))
          (slot-value new 'theta) (atan y x))))
```

```
;;; At this point an instance of the class x-y-position can be
;;; changed to be an instance of the class rho-theta-position
;;; using change-class:
```

```
(setq p1 (make-instance 'x-y-position :x 2 :y 0))
```

```
(change-class p1 'rho-theta-position)
```

```
;;; The result is that the instance bound to p1 is now
;;; an instance of the class rho-theta-position.
;;; The update-instance-for-different-class method
;;; performed the initialization of the rho and theta
;;; slots based on the values of the x and y slots,
;;; which were maintained by the old instance.
```

After completing all other actions, **change-class** invokes the generic function **update-instance-for-different-class**. The generic function **update-instance-for-different-class** can be used to assign values to slots in the transformed instance.

The generic function **change-class** has several semantic difficulties. First, it performs a destructive operation that can be invoked within a method on an instance that was used to select that method. When multiple methods are involved because methods are being combined, the methods currently executing or about to be executed may no longer be applicable. Second, some implementations might use compiler optimizations of slot access, and when the class of an instance is changed the assumptions the compiler made might be violated. This implies that a programmer must not

use **change-class** inside a method if any methods for that generic function access any slots, or the results are undefined.

See section 28.1.11 as well as **update-instance-for-different-class**.

*[Generic function]* **class-name** *class*  
*[Primary method]* **class-name** (*class* *class*)

The generic function **class-name** takes a class object and returns its name.

The *class* argument is a class object. The name of the given class is returned.

The name of an anonymous class is **nil**.

If *S* is a symbol such that  $S = (\mathbf{class-name} \ C)$  and  $C = (\mathbf{find-class} \ S)$ , then *S* is the proper name of *C* (see section 28.1.2).

See also section 28.1.2 and **find-class**.

*[Generic function]* (**setf class-name**) *new-value class*  
*[Primary method]* (**setf class-name**) *new-value (class class)*

The generic function (**setf class-name**) takes a class object and sets its name.

The *class* argument is a class object. The *new-value* argument is any object.

*[Function]* **class-of** *object*

The function **class-of** returns the class of which the given object is an instance. The argument to **class-of** may be any Common Lisp object.

*[Function]* **compute-applicable-methods** *generic-function*  
*function-arguments*

Given a generic function and a set of arguments, the function **compute-applicable-methods** returns the set of methods that are applicable for those arguments.

The methods are sorted according to precedence order. See section 28.1.7.

The *generic-function* argument must be a generic function object. The *function-arguments* argument is a list of the arguments to that generic function. The result is a list of the applicable methods in order of precedence. See section 28.1.7.

```
[Macro] defclass class-name ({superclass-name}*)
  (slot-specifier)* [[↓class-option]]
```

```
class-name ::= symbol
superclass-name ::= symbol
slot-specifier ::= slot-name | (slot-name [[↓slot-option]])
slot-name ::= symbol
slot-option ::= {:reader reader-function-name}*
  | {:writer writer-function-name}*
  | {:accessor reader-function-name}*
  | {:allocation allocation-type}
  | {:initarg initarg-name}*
  | {:initform form}
  | {:type type-specifier}
  | {:documentation string}

reader-function-name ::= symbol
writer-function-name ::= function-name
function-name ::= {symbol / (setf symbol)}
initarg-name ::= symbol
allocation-type ::= :instance | :class
class-option ::= (:default-initargs initarg-list)
  | (:documentation string)
  | (:metaclass class-name)
initarg-list ::= {initarg-name default-initial-value-form}*
```

The macro **defclass** defines a new named class. It returns the new class object as its result.

The syntax of **defclass** provides options for specifying initialization arguments for slots, for specifying default initialization values for slots, and for requesting that methods on specified generic functions be automatically generated for reading and writing the values of slots. No reader or writer functions are defined by default; their generation must be explicitly requested.

Defining a new class also causes a type of the same name to be defined. The predicate (**typep** *object class-name*) returns true if the class of the

given object is *class-name* itself or a subclass of the class *class-name*. A class object can be used as a type specifier. Thus (**typep** *object class*) returns true if the class of the *object* is *class* itself or a subclass of *class*.

The *class-name* argument is a non-**nil** symbol. It becomes the proper name of the new class. If a class with the same proper name already exists and that class is an instance of **standard-class**, and if the **defclass** form for the definition of the new class specifies a class of class **standard-class**, the definition of the existing class is replaced.

Each *superclass-name* argument is a non-**nil** symbol that specifies a direct superclass of the new class. The new class will inherit slots and methods from each of its direct superclasses, from their direct superclasses, and so on. See section 28.1.3 for a discussion of how slots and methods are inherited.

Each *slot-specifier* argument is the name of the slot or a list consisting of the slot name followed by zero or more slot options. The *slot-name* argument is a symbol that is syntactically valid for use as a variable name. If there are any duplicate slot names, an error is signaled.

The following slot options are available:

- The **:reader** slot option specifies that an unqualified method is to be defined on the generic function named *reader-function-name* to read the value of the given slot. The *reader-function-name* argument is a non-**nil** symbol. The **:reader** slot option may be specified more than once for a given slot.
- The **:writer** slot option specifies that an unqualified method is to be defined on the generic function named *writer-function-name* to write the value of the slot. The *writer-function-name* argument is a function-name. The **:writer** slot option may be specified more than once for a given slot.
- The **:accessor** slot option specifies that an unqualified method is to be defined on the generic function named *reader-function-name* to read the value of the given slot and that an unqualified method is to be defined on the generic function named (**setf** *reader-function-name*) to be used with **setf** to modify the value of the slot. The *reader-function-name* argument is a non-**nil** symbol. The **:accessor** slot option may be specified more than once for a given slot.
- The **:allocation** slot option is used to specify where storage is to be allocated for the given slot. Storage for a slot may be located in each

instance or in the class object itself, for example. The value of the *allocation-type* argument can be either the keyword **:instance** or the keyword **:class**. The **:allocation** slot option may be specified at most once for a given slot. If the **:allocation** slot option is not specified, the effect is the same as specifying **:allocation :instance**.

- If *allocation-type* is **:instance**, a local slot of the given name is allocated in each instance of the class.
  - If *allocation-type* is **:class**, a shared slot of the given name is allocated. The value of the slot is shared by all instances of the class. If a class  $C_1$  defines such a shared slot, any subclass  $C_2$  of  $C_1$  will share this single slot unless the **defclass** form for  $C_2$  specifies a slot of the same name or there is a superclass of  $C_2$  that precedes  $C_1$  in the class precedence list of  $C_2$  and that defines a slot of the same name.
- The **:initform** slot option is used to provide a default initial value form to be used in the initialization of the slot. The **:initform** slot option may be specified at most once for a given slot. This form is evaluated every time it is used to initialize the slot. The lexical environment in which this form is evaluated is the lexical environment in which the **defclass** form was evaluated. Note that the lexical environment refers both to variables and to functions. For local slots, the dynamic environment is the dynamic environment in which **make-instance** was called; for shared slots, the dynamic environment is the dynamic environment in which the **defclass** form was evaluated. See section 28.1.9.

No implementation is permitted to extend the syntax of **defclass** to allow (*slot-name form*) as an abbreviation for (*slot-name :initform form*).

- The **:initarg** slot option declares an initialization argument named *initarg-name* and specifies that this initialization argument initializes the given slot. If the initialization argument has a value in the call to **initialize-instance**, the value will be stored into the given slot, and the slot's **:initform** slot option, if any, is not evaluated. If none of the initialization arguments specified for a given slot has a value, the slot is initialized according to the **:initform** slot option, if specified. The

**:initarg** slot option can be specified more than once for a given slot. The *initarg-name* argument can be any symbol.

- The **:type** slot option specifies that the contents of the slot will always be of the specified data type. It effectively declares the result type of the reader generic function when applied to an object of this class. The result of attempting to store in a slot a value that does not satisfy the type of the slot is undefined. The **:type** slot option may be specified at most once for a given slot. The **:type** slot option is further discussed in section 28.1.3.
- The **:documentation** slot option provides a documentation string for the slot.

Each class option is an option that refers to the class as a whole or to all class slots. The following class options are available:

- The **:default-initargs** class option is followed by a list of alternating initialization argument names and default initial value forms. If any of these initialization arguments does not appear in the initialization argument list supplied to **make-instance**, the corresponding default initial value form is evaluated, and the initialization argument name and the form's value are added to the end of the initialization argument list before the instance is created (see section 28.1.9). The default initial value form is evaluated each time it is used. The lexical environment in which this form is evaluated is the lexical environment in which the **defclass** form was evaluated. The dynamic environment is the dynamic environment in which **make-instance** was called. If an initialization argument name appears more than once in a **:default-initargs** class option, an error is signaled. The **:default-initargs** class option may be specified at most once.
- The **:documentation** class option causes a documentation string to be attached to the class name. The documentation type for this string is **type**. The form (**documentation class-name 'type**) may be used to retrieve the documentation string. The **:documentation** class option may be specified at most once.
- The **:metaclass** class option is used to specify that instances of the class being defined are to have a different metaclass than the default

provided by the system (the class **standard-class**). The *class-name* argument is the name of the desired metaclass. The **:metaclass** class option may be specified at most once.

The new class object is returned as the result.

If a class with the same proper name already exists and that class is an instance of **standard-class**, and if the **defclass** form for the definition of the new class specifies a class of class **standard-class**, the existing class is redefined, and instances of it (and its subclasses) are updated to the new definition at the time that they are next accessed (see section 28.1.10).

Note the following rules of **defclass** for standard classes:

- It is not required that the superclasses of a class be defined before the **defclass** form for that class is evaluated.
- All the superclasses of a class must be defined before an instance of the class can be made.
- A class must be defined before it can be used as a parameter specializer in a **defmethod** form.

The Object System may be extended to cover situations where these rules are not obeyed.

Some slot options are inherited by a class from its superclasses, and some can be shadowed or altered by providing a local slot description. No class options except **:default-initargs** are inherited. For a detailed description of how slots and slot options are inherited, see section 28.1.3.

The options to **defclass** can be extended. An implementation must signal an error if it observes a class option or a slot option that is not implemented locally.

It is valid to specify more than one reader, writer, accessor, or initialization argument for a slot. No other slot option may appear more than once in a single slot description, or an error is signaled.

If no reader, writer, or accessor is specified for a slot, the slot can be accessed only by the function **slot-value**.

See sections 28.1.2, 28.1.3, 28.1.10, 28.1.5, 28.1.9 as well as **slot-value**, **make-instance**, and **initialize-instance**.

```
[Macro] defgeneric function-name lambda-list
  [[↓option | {method-description}*]]
```



```

function-name ::= {symbol / (setf symbol)}
lambda-list ::= ( {var}*
                  [Optional {var / (var)}*]
                  [Rest var]
                  [Key {keyword-parameter}* [allow-other-keys]])

keyword-parameter ::= var | ( {var / (keyword var)} )
option ::= (:argument-precedence-order {parameter-name}+)
| (declare {declaration}+)
| (:documentation string)
| (:method-combination symbol {arg}*)
| (:generic-function-class class-name)
| (:method-class class-name)
method-description ::= (:method {method-qualifier}*
specialized-lambda-list
[[ {declaration}* / documentation]]
{form}*)
method-qualifier ::= non-nil-atom
specialized-lambda-list ::=
({var / (var parameter-specializer-name)}*)
[Optional {var / (var [initform [supplied-p-parameter]])}*]
[Rest var]
[Key {specialized-keyword-parameter}* [allow-other-keys]]
[Aux {var / (var [initform])}*])
specialized-keyword-parameter ::=
var | ( {var / (keyword var)} [initform [supplied-p-parameter]])
parameter-specializer-name ::= symbol | (eql eql-specializer-form)

```

The macro **defgeneric** is used to define a generic function or to specify options and declarations that pertain to a generic function as a whole.

If (**fboundp** *function-name*) is **nil**, a new generic function is created. If (**fdefinition** *function-specifier*) is a generic function, that generic function is modified. If *function-name* names a non-generic function, a macro, or a special operator, an error is signaled.

[X3J13 voted in March 1989 to use **fdefinition** in the previous paragraph, as shown, rather than **symbol-function**, as it appeared in the original report on CLOS [5, 7]. The vote also changed all occurrences of *function-specifier* in the original report to *function-name*; this change is reflected here.—GLS]

Each *method-description* defines a method on the generic function. The lambda-list of each method must be congruent with the lambda-list specified by the *lambda-list* option. If this condition does not hold, an error is signaled. See section 28.1.6 for a definition of congruence in this context.

The macro **defgeneric** returns the generic function object as its result.

The *function-name* argument is a non-**nil** symbol or a list of the form (**setf** *symbol*).

The *lambda-list* argument is an ordinary function lambda-list with the following exceptions:

- The use of **&aux** is not allowed.
- Optional and keyword arguments may not have default initial value forms nor use supplied-p parameters. The generic function passes to the method all the argument values passed to it, and only those; default values are not supported. Note that optional and keyword arguments in method definitions, however, can have default initial value forms and can use supplied-p parameters.

The following options are provided. A given option may occur only once, or an error is signaled.

- The **:argument-precedence-order** option is used to specify the order in which the required arguments in a call to the generic function are tested for specificity when selecting a particular method. Each required argument, as specified in the *lambda-list* argument, must be included exactly once as a *parameter-name* so that the full and unambiguous precedence order is supplied. If this condition is not met, an error is signaled.
- The **declare** option is used to specify declarations that pertain to the generic function. The following standard Common Lisp declaration is allowed:
  - An **optimize** declaration specifies whether method selection should be optimized for speed or space, but it has no effect on methods. To control how a method is optimized, an **optimize** declaration must be placed directly in the **defmethod** form or method description. The optimization qualities **speed** and **space**

are the only qualities this standard requires, but an implementation can extend the Common Lisp Object System to recognize other qualities. A simple implementation that has only one method selection technique and ignores the **optimize** declaration is valid.

The **special**, **ftype**, **function**, **inline**, **notinline**, and **declaration** declarations are not permitted. Individual implementations can extend the **declare** option to support additional declarations. If an implementation notices a declaration that it does not support and that has not been proclaimed as a non-standard declaration name in a **declaration** proclamation, it should issue a warning.

- The **:documentation** argument associates a documentation string with the generic function. The documentation type for this string is **function**. The form (**documentation** *function-name* 'function) may be used to retrieve this string.
- The **:generic-function-class** option may be used to specify that the generic function is to have a different class than the default provided by the system (the class **standard-generic-function**). The *class-name* argument is the name of a class that can be the class of a generic function. If *function-name* specifies an existing generic function that has a different value for the **:generic-function-class** argument and the new generic function class is compatible with the old, **change-class** is called to change the class of the generic function; otherwise an error is signaled.
- The **:method-class** option is used to specify that all methods on this generic function are to have a different class from the default provided by the system (the class **standard-method**). The *class-name* argument is the name of a class that is capable of being the class of a method.
- The **:method-combination** option is followed by a symbol that names a type of method combination. The arguments (if any) that follow that symbol depend on the type of method combination. Note that the standard method combination type does not support any arguments. However, all types of method combination defined by the short form

of **define-method-combination** accept an optional argument named *order*, defaulting to **:most-specific-first**, where a value of **:most-specific-last** reverses the order of the primary methods without affecting the order of the auxiliary methods.

The *method-description* arguments define methods that will be associated with the generic function. The *method-qualifier* and *specialized-lambda-list* arguments in a method description are the same as for **defmethod**.

The *form* arguments specify the method body. The body of the method is enclosed in an implicit block. If *function-name* is a symbol, this block bears the same name as the generic function. If *function-name* is a list of the form (**setf** *symbol*), the name of the block is *symbol*.

The generic function object is returned as the result.

The effect of the **defgeneric** macro is as if the following three steps were performed: first, methods defined by previous **defgeneric** forms are removed; second, **ensure-generic-function** is called; and finally, methods specified by the current **defgeneric** form are added to the generic function.

If no method descriptions are specified and a generic function of the same name does not already exist, a generic function with no methods is created.

The *lambda-list* argument of **defgeneric** specifies the shape of lambda-lists for the methods on this generic function. All methods on the resulting generic function must have lambda-lists that are congruent with this shape. If a **defgeneric** form is evaluated and some methods for that generic function have lambda-lists that are not congruent with that given in the **defgeneric** form, an error is signaled. For further details on method congruence, see section 28.1.6.

Implementations can extend **defgeneric** to include other options. It is required that an implementation signal an error if it observes an option that is not implemented locally.

See section 28.1.6 as well as **defmethod**, **ensure-generic-function**, and **generic-function**.

```
[Macro] define-method-combination name [[↓short-form-option]]
[Macro] define-method-combination name lambda-list
({method-group-specifier}*)
[(:arguments . lambda-list)]
[(:generic-function generic-fn-symbol)]
[[{declaration}* | doc-string]]
{form}*
```

```

short-form-option ::= :documentation string
| :identity-with-one-argument boolean
| :operator operator
method-group-specifier ::= (variable { {qualifier-pattern}+ / predicate }
                             [[↓long-form-option]])
long-form-option ::= :description format-string
| :order order
| :required boolean

```

The macro **define-method-combination** is used to define new types of method combination.

There are two forms of **define-method-combination**. The short form is a simple facility for the cases that are expected to be most commonly needed. The long form is more powerful but more verbose. It resembles **defmacro** in that the body is an expression, usually using backquote, that computes a Lisp form. Thus arbitrary control structures can be implemented. The long form also allows arbitrary processing of method qualifiers.

In both the short and long forms, *name* is a symbol. By convention, non-keyword, non-**nil** symbols are usually used.

The short-form syntax of **define-method-combination** is recognized when the second subform is a non-**nil** symbol or is not present. When the short form is used, *name* is defined as a type of method combination that produces a Lisp form (*operator method-call method-call ...*). The *operator* is a symbol that can be the name of a function, macro, or special operator. The *operator* can be specified by a keyword option; it defaults to *name*.

Keyword options for the short form are the following:

- The **:documentation** option is used to document the method-combination type.
- The **:identity-with-one-argument** option enables an optimization when *boolean* is true (the default is false). If there is exactly one applicable method and it is a primary method, that method serves as the effective method and *operator* is not called. This optimization avoids the need to create a new effective method and avoids the overhead of a function call. This option is designed to be used with operators such as **progn**, **and**, **+**, and **max**.

- The **:operator** option specifies the name of the operator. The *operator* argument is a symbol that can be the name of a function, macro, or special operator. By convention, *name* and *operator* are often the same symbol. This is the default, but it is not required.

None of the subforms is evaluated.

These types of method combination require exactly one qualifier per method. An error is signaled if there are applicable methods with no qualifiers or with qualifiers that are not supported by the method combination type.

A method combination procedure defined in this way recognizes two roles for methods. A method whose one qualifier is the symbol naming this type of method combination is defined to be a primary method. At least one primary method must be applicable or an error is signaled. A method with **:around** as its one qualifier is an auxiliary method that behaves the same as an **:around** method in standard method combination. The function **call-next-method** can be used only in **:around** methods; it cannot be used in primary methods defined by the short form of the **define-method-combination** macro.

A method combination procedure defined in this way accepts an optional argument named *order*, which defaults to **:most-specific-first**. A value of **:most-specific-last** reverses the order of the primary methods without affecting the order of the auxiliary methods.

The short form automatically includes error checking and support for **:around** methods.

For a discussion of built-in method combination types, see section 28.1.7.

The long-form syntax of **define-method-combination** is recognized when the second subform is a list.

The *lambda-list* argument is an ordinary lambda-list. It receives any arguments provided after the name of the method combination type in the **:method-combination** option to **defgeneric**.

A list of method group specifiers follows. Each specifier selects a subset of the applicable methods to play a particular role, either by matching their qualifiers against some patterns or by testing their qualifiers with a predicate. These method group specifiers define all method qualifiers that can be used with this type of method combination. If an applicable method does not fall into any method group, the system signals the error that the method is invalid for the kind of method combination in use.

Each method group specifier names a variable. During the execution of the forms in the body of **define-method-combination**, this variable is bound to a list of the methods in the method group. The methods in this list occur in most-specific-first order.

A qualifier pattern is a list or the symbol **\***. A method matches a qualifier pattern if the method's list of qualifiers is **equal** to the qualifier pattern (except that the symbol **\*** in a qualifier pattern matches anything). Thus a qualifier pattern can be one of the following: the empty list **()**, which matches unqualified methods; the symbol **\***, which matches all methods; a true list, which matches methods with the same number of qualifiers as the length of the list when each qualifier matches the corresponding list element; or a dotted list that ends in the symbol **\*** (the **\*** matches any number of additional qualifiers).

Each applicable method is tested against the qualifier patterns and predicates in left-to-right order. As soon as a qualifier pattern matches or a predicate returns true, the method becomes a member of the corresponding method group and no further tests are made. Thus if a method could be a member of more than one method group, it joins only the first such group. If a method group has more than one qualifier pattern, a method need only satisfy one of the qualifier patterns to be a member of the group.

The name of a predicate function can appear instead of qualifier patterns in a method group specifier. The predicate is called for each method that has not been assigned to an earlier method group; it is called with one argument, the method's qualifier list. The predicate should return true if the method is to be a member of the method group. A predicate can be distinguished from a qualifier pattern because it is a symbol other than **nil** or **\***.

If there is an applicable method whose qualifiers are not valid for the method combination type, the function **invalid-method-error** is called.

Method group specifiers can have keyword options following the qualifier patterns or predicate. Keyword options can be distinguished from additional qualifier patterns because they are neither lists nor the symbol **\***. The keyword options are:

- The **:description** option is used to provide a description of the role of methods in the method group. Programming environment tools use (**apply #'format stream *format-string* (method-qualifiers *method*)**) to print this description, which is expected to be concise. This keyword option allows the description of a method qualifier to be

defined in the same module that defines the meaning of the method qualifier. In most cases, *format-string* will not contain any **format** directives, but they are available for generality. If **:description** is not specified, a default description is generated based on the variable name and the qualifier patterns and on whether this method group includes the unqualified methods. The argument *format-string* is not evaluated.

- The **:order** option specifies the order of methods. The *order* argument is a form that evaluates to **:most-specific-first** or **:most-specific-last**. If it evaluates to any other value, an error is signaled. This keyword option is a convenience and does not add any expressive power. If **:order** is not specified, it defaults to **:most-specific-first**.
- The **:required** option specifies whether at least one method in this method group is required. If the *boolean* argument is non-**nil** and the method group is empty (that is, no applicable methods match the qualifier patterns or satisfy the predicate), an error is signaled. This keyword option is a convenience and does not add any expressive power. If **:required** is not specified, it defaults to **nil**. The *boolean* argument is not evaluated.

The use of method group specifiers provides a convenient syntax to select methods, to divide them among the possible roles, and to perform the necessary error checking. It is possible to perform further filtering of methods in the body forms by using normal list-processing operations and the functions **method-qualifiers** and **invalid-method-error**. It is permissible to use **setq** on the variables named in the method group specifiers and to bind additional variables. It is also possible to bypass the method group specifier mechanism and do everything in the body forms. This is accomplished by writing a single method group with **\*** as its only qualifier pattern; the variable is then bound to a list of all of the applicable methods, in most-specific-first order.

The body *forms* compute and return the Lisp form that specifies how the methods are combined, that is, the effective method. The effective method uses the macro **call-method**. The definition of this macro has lexical scope and is available only in an effective method form. Given a method object in one of the lists produced by the method group specifiers and a list of next methods, the macro **call-method** will invoke the method so that **call-next-method** will have available the next methods.



When an effective method has no effect other than to call a single method, some implementations employ an optimization that uses the single method directly as the effective method, thus avoiding the need to create a new effective method. This optimization is active when the effective method form consists entirely of an invocation of the **call-method** macro whose first subform is a method object and whose second subform is **nil**. Each **define-method-combination** body is responsible for stripping off redundant invocations of **progn**, **and**, **multiple-value-prog1**, and the like, if this optimization is desired.

The list (**:arguments . lambda-list**) can appear before any declaration or documentation string. This form is useful when the method combination type performs some specific behavior as part of the combined method and that behavior needs access to the arguments to the generic function. Each parameter variable defined by *lambda-list* is bound to a form that can be inserted into the effective method. When this form is evaluated during execution of the effective method, its value is the corresponding argument to the generic function. If *lambda-list* is not congruent to the generic function's lambda-list, additional ignored parameters are automatically inserted until it is congruent. Thus it is permissible for *lambda-list* to receive fewer arguments than the number that the generic function expects.

Erroneous conditions detected by the body should be reported with **method-combination-error** or **invalid-method-error**; these functions add any necessary contextual information to the error message and will signal the appropriate error.

The body *forms* are evaluated inside the bindings created by the lambda-list and method group specifiers. Declarations at the head of the body are positioned directly inside bindings created by the lambda-list and outside the bindings of the method group variables. Thus method group variables cannot be declared.

Within the body *forms*, *generic-function-symbol* is bound to the generic function object.

If a *doc-string* argument is present, it provides the documentation for the method combination type.

The functions **method-combination-error** and **invalid-method-error** can be called from the body *forms* or from functions called by the body *forms*. The actions of these two functions can depend on implementation-dependent dynamic variables automatically bound before the generic function **compute-effective-method** is called.

Note that two methods with identical specializers, but with different qualifiers, are not ordered by the algorithm described in step 2 of the method selection and combination process described in section 28.1.7. Normally the two methods play different roles in the effective method because they have different qualifiers, and no matter how they are ordered in the result of step 2 the effective method is the same. If the two methods play the same role and their order matters, an error is signaled. This happens as part of the qualifier pattern matching in **define-method-combination**.

The value returned by the **define-method-combination** macro is the new method combination object.

Most examples of the long form of **define-method-combination** also illustrate the use of the related functions that are provided as part of the declarative method combination facility.

;;; Examples of the short form of define-method-combination

```
(define-method-combination and :identity-with-one-argument t)
```

```
(defmethod func and ((x class1) y)
  ...)
```

;;; The equivalent of this example in the long form is:

```
(define-method-combination and
  (&optional (order 'most-specific-first))
  ((around (:around))
   (primary (and) :order order :required t))
  (let ((form (if (rest primary)
                  '(and ,@(mapcar #'(lambda (method)
                                     '(call-method ,method ()))
                                primary))
                  '(call-method ,(first primary) ())))
        (if around
            '(call-method ,(first around)
                          (,@(rest around)
                            (make-method form)))
            form)))
```

;;; Examples of the long form of define-method-combination

;;; The default method-combination technique

```
(define-method-combination standard ()
  ((around (:around))
   (before (:before))
   (primary () :required t)
   (after (:after)))
 (flet ((call-methods (methods)
        (mapcar #'(lambda (method)
                    '(call-method ,method ()))
                methods)))
 (let ((form (if (or before after (rest primary))
                 '(multiple-value-prog1
                    (progn ,@(call-methods before)
                          (call-method ,(first primary)
                                       ,(rest primary)))
                    ,@(call-methods (reverse after)))
                 '(call-method ,(first primary) ())))
 (if around
     '(call-method ,(first around)
                   (,@(rest around)
                     (make-method form)))
     form))))
```

;;; A simple way to try several methods until one returns non-nil

```
(define-method-combination or ()
  ((methods (or)))
 '(or ,@(mapcar #'(lambda (method)
                   '(call-method ,method ()))
            methods)))
```

```

;;; A more complete version of the preceding

(define-method-combination or
  (&optional (order ' :most-specific-first))
  ((around (:around))
   (primary (or)))
  ;; Process the order argument
  (case order
    (:most-specific-first)
    (:most-specific-last (setq primary (reverse primary)))
    (otherwise (method-combination-error
      "~S is an invalid order. ~@"
      :most-specific-first and :most-specific-last ~
      are the possible values."
      order)))
  ;; Must have a primary method
  (unless primary
    (method-combination-error "A primary method is required."))
  ;; Construct the form that calls the primary methods
  (let ((form (if (rest primary)
    '(or ,@(mapcar #'(lambda (method)
      '(call-method ,method ()))
      primary))
    '(call-method ,(first primary) ())))))
  ;; Wrap the around methods around that form
  (if around
    '(call-method ,(first around)
      (,@(rest around)
      (make-method form)))
    form)))

;;; The same thing, using the :order and :required keyword options
(define-method-combination or
  (&optional (order ' :most-specific-first))
  ((around (:around))
   (primary (or) :order order :required t))

```

```
(let ((form (if (rest primary)
                '(or ,(mapcar #'(lambda (method)
                                '(call-method ,method ()))
                            primary))
                '(call-method ,(first primary) ())))
      (if around
          '(call-method ,(first around)
                        (,@(rest around)
                          (make-method form)))
          form)))
```

;;; This short-form call is behaviorally identical to the preceding.  
 (define-method-combination or :identity-with-one-argument t)

;;; Order methods by positive integer qualifiers; note that :around  
 ;;; methods are disallowed here in order to keep the example small.

```
(define-method-combination example-method-combination ()
  ((methods positive-integer-qualifier-p)
   '(progn ,(mapcar #'(lambda (method)
                       '(call-method ,method ()))
                 (stable-sort methods #'<
                               :key #'(lambda (method)
                                         (first (method-qualifiers
                                                method)))))))
```

```
(defun positive-integer-qualifier-p (method-qualifiers)
  (and (= (length method-qualifiers) 1)
        (typep (first method-qualifiers) '(integer 0 *))))
```

;;; Example of the use of :arguments

```
(define-method-combination progn-with-lock ()
  ((methods ()))
  (:arguments object))
```

```

‘(unwind-protect
  (progn (lock (object-lock ,object))
    ,@(mapcar #'(lambda (method)
      ‘(call-method ,method ()))
      methods))
  (unlock (object-lock ,object))))

```

The **:method-combination** option of **defgeneric** is used to specify that a generic function should use a particular method combination type. The argument to the **:method-combination** option is the name of a method combination type.

See sections 28.1.7 and 28.1.7 as well as **call-method**, **method-qualifiers**, **method-combination-error**, **invalid-method-error**, and **defgeneric**.

```

[Macro] defmethod function-name {method-qualifier}*
specialized-lambda-list
[[{declaration}* | doc-string]] {form}*

```

*function-name* ::= {symbol / (**setf** symbol)}

*method-qualifier* ::= non-nil-atom

*parameter-specializer-name* ::= symbol | (**eql eql-specializer-form**)

The macro **defmethod** defines a method on a generic function.

If (**fboundp** *function-name*) is **nil**, a generic function is created with default values for the argument precedence order (each argument is more specific than the arguments to its right in the argument list), for the generic function class (the class **standard-generic-function**), for the method class (the class **standard-method**), and for the method combination type (the standard method combination type). The lambda-list of the generic function is congruent with the lambda-list of the method being defined; if the **defmethod** form mentions keyword arguments, the lambda-list of the generic function will mention **&key** (but no keyword arguments). If *function-name* names a non-generic function, a macro, or a special operator, an error is signaled.

If a generic function is currently named by *function-name*, where *function-name* is a symbol or a list of the form (**setf** *symbol*), the lambda-list of the method must be congruent with the lambda-list of the generic function. If this condition does not hold, an error is signaled. See section 28.1.6 for a definition of congruence in this context.

The *function-name* argument is a non-**nil** symbol or a list of the form (**setf** *symbol*). It names the generic function on which the method is defined.

Each *method-qualifier* argument is an object that is used by method combination to identify the given method. A method qualifier is a non-**nil** atom. The method combination type may further restrict what a method qualifier may be. The standard method combination type allows for unqualified methods or methods whose sole qualifier is the keyword **:before**, the keyword **:after**, or the keyword **:around**.

A *specialized-lambda-list* is like an ordinary function lambda-list except that the name of a required parameter can be replaced by a specialized parameter, a list of the form (*variable-name* *parameter-specializer-name*). Only required parameters may be specialized. A parameter specializer name is a symbol that names a class or (**eql** *eql-specializer-form*). The parameter specializer name (**eql** *eql-specializer-form*) indicates that the corresponding argument must be **eql** to the object that is the value of *eql-specializer-form* for the method to be applicable. If no parameter specializer name is specified for a given required parameter, the parameter specializer defaults to the class named **t**. See section 28.1.6.

The *form* arguments specify the method body. The body of the method is enclosed in an implicit block. If *function-name* is a symbol, this block bears the same name as the generic function. If *function-name* is a list of the form (**setf** *symbol*), the name of the block is *symbol*.

The result of **defmethod** is the method object.

The class of the method object that is created is that given by the method class option of the generic function on which the method is defined.

If the generic function already has a method that agrees with the method being defined on parameter specializers and qualifiers, **defmethod** replaces the existing method with the one now being defined. See section 28.1.6 for a definition of agreement in this context.

The parameter specializers are derived from the parameter specializer names as described in section 28.1.6.

The expansion of the **defmethod** macro refers to each specialized parameter (see the **ignore** declaration specifier), including parameters that have an explicit parameter specializer name of **t**. This means that a compiler warning does not occur if the body of the method does not refer to a specialized parameter. Note that a parameter that specializes on **t** is not synonymous with an unspecialized parameter in this context.

See sections 28.1.6, 28.1.6, and 28.1.6.

[At this point the original CLOS report [5, 7] contained a specification for **describe** as a generic function. This specification is omitted here because X3J13 voted in March 1989 not to make **describe** a generic function after all (see **describe-object**).—GLS]

*[Generic function]* **documentation** *x* &optional *doc-type*  
*[Primary method]* **documentation** (*method* standard-method) &optional *doc-type*  
*[Primary method]* **documentation** (*generic-function* standard-generic-function) &optional *doc-type*  
*[Primary method]* **documentation** (*class* standard-class) &optional *doc-type*  
*[Primary method]* **documentation** (*method-combination* method-combination) &optional *doc-type*  
*[Primary method]* **documentation** (*slot-description* standard-slot-description) &optional *doc-type*  
*[Primary method]* **documentation** (*symbol* symbol) &optional *doc-type*  
*[Primary method]* **documentation** (*list* list) &optional *doc-type*

The ordinary function **documentation** (see section ??) is replaced by a generic function. The generic function **documentation** returns the documentation string associated with the given object if it is available; otherwise **documentation** returns **nil**.

The first argument of **documentation** is a symbol, a function-name list of the form (**setf** *symbol*), a method object, a class object, a generic function object, a method combination object, or a slot description object. Whether a second argument should be supplied depends on the type of the first argument.

- If the first argument is a method object, a class object, a generic function object, a method combination object, or a slot description object, the second argument must not be supplied, or an error is signaled.
- If the first argument is a symbol or a list of the form (**setf** *symbol*), the second argument must be supplied.

– The forms

(documentation *symbol* 'function)



and

(documentation '(setf *symbol*) 'function)

return the documentation string of the function, generic function, special operator, or macro named by the symbol or list.

- The form (**documentation** *symbol* 'variable) returns the documentation string of the special variable or constant named by the symbol.
- The form (**documentation** *symbol* 'structure) returns the documentation string of the **defstruct** structure named by the symbol.
- The form (**documentation** *symbol* 'type) returns the documentation string of the class object named by the symbol, if there is such a class. If there is no such class, it returns the documentation string of the type specifier named by the symbol.
- The form (**documentation** *symbol* 'setf) returns the documentation string of the **defsetf** or **define-setf-method** definition associated with the symbol.
- The form (**documentation** *symbol* 'method-combination) returns the documentation string of the method combination type named by the symbol.

An implementation may extend the set of symbols that are acceptable as the second argument. If a symbol is not recognized as an acceptable argument by the implementation, an error must be signaled.

The documentation string associated with the given object is returned unless none is available, in which case **documentation** returns **nil**.

[Generic function] (**setf documentation**) *new-value* *x* &optional *doc-type*

[Primary method] (**setf documentation**) *new-value*  
(*method* *standard-method*) &optional *doc-type*

[Primary method] (**setf documentation**) *new-value*  
(*generic-function* *standard-generic-function*) &optional *doc-type*

[Primary method] (**setf documentation**) *new-value*  
(*class* *standard-class*) &optional *doc-type*

```

[Primary method] (setf documentation) new-value
(method-combination method-combination) &optional doc-type
[Primary method] (setf documentation) new-value
(slot-description standard-slot-description) &optional doc-type
[Primary method] (setf documentation) new-value (symbol symbol)
&optional doc-type
[Primary method] (setf documentation) new-value (list list) &optional
doc-type

```

The generic function (**setf documentation**) is used to update the documentation.

The first argument of (**setf documentation**) is the new documentation.

The second argument of **documentation** is a symbol, a function-name list of the form (**setf *symbol***), a method object, a class object, a generic function object, a method combination object, or a slot description object. Whether a third argument should be supplied depends on the type of the second argument. See **documentation**.

```

[Function] ensure-generic-function function-name &key :lambda-list
:argument-precedence-order :declare :documentation :generic-function-class
:method-combination :method-class :environment

```

```

function-name ::= {symbol / (setf symbol)}

```

The function **ensure-generic-function** is used to define a globally named generic function with no methods or to specify or modify options and declarations that pertain to a globally named generic function as a whole.

If (**fboundp *function-name***) is **nil**, a new generic function is created. If (**fdefinition *function-name***) is a non-generic function, a macro, or a special operator, an error is signaled.

[X3J13 voted in March 1989 to use **fdefinition** in the previous paragraph, as shown, rather than **symbol-function**, as it appeared in the original report on CLOS [5, 7]. The vote also changed all occurrences of *function-specifier* in the original report to *function-name*; this change is reflected here.—GLS]

If *function-name* specifies a generic function that has a different value for any of the following arguments, the generic function is modified to have the new value: **:argument-precedence-order**, **:declare**, **:documentation**, **:method-combination**.

If *function-name* specifies a generic function that has a different value for the **:lambda-list** argument, and the new value is congruent with the lambda-lists of all existing methods or there are no methods, the value is changed; otherwise an error is signaled.

If *function-name* specifies a generic function that has a different value for the **:generic-function-class** argument and if the new generic function class is compatible with the old, **change-class** is called to change the class of the generic function; otherwise an error is signaled.

If *function-name* specifies a generic function that has a different **:method-class** value, the value is changed but any existing methods are not changed.

The *function-name* argument is a symbol or a list of the form (**setf** *symbol*).

The keyword arguments correspond to the *option* arguments of **def-generic**, except that the **:method-class** and **:generic-function-class** arguments can be class objects as well as names.

The **:environment** argument is the same as the **&environment** argument to macro expansion functions. It is typically used to distinguish between compile-time and run-time environments.

The **:method-combination** argument is a method combination object.

The generic function object is returned.

See **defgeneric**.

[Function] **find-class** *symbol* &optional *errorp* *environment*

The function **find-class** returns the class object named by the given symbol in the given environment.

The first argument to **find-class** is a symbol.

If there is no such class and the *errorp* argument is not supplied or is non-**nil**, **find-class** signals an error. If there is no such class and the *errorp* argument is **nil**, **find-class** returns **nil**. The default value of *errorp* is **t**.

The optional *environment* argument is the same as the **&environment** argument to macro expansion functions. It is typically used to distinguish between compile-time and run-time environments.

The result of **find-class** is the class object named by the given symbol.

The class associated with a particular symbol can be changed by using **setf** with **find-class**. The results are undefined if the user attempts to

change the class associated with a symbol that is defined as a type specifier in chapter 4. See section 28.1.4.

*[Generic function]* **find-method** *generic-function method-qualifiers  
specializers &optional errorp*  
*[Primary method]* **find-method**  
 (*generic-function* standard-generic-function) *method-qualifiers specializers  
&optional errorp*

The generic function **find-method** takes a generic function and returns the method object that agrees on method qualifiers and parameter specializers with the *method-qualifiers* and *specializers* arguments of **find-method**. See section 28.1.6 for a definition of agreement in this context.

The *generic-function* argument is a generic function.

The *method-qualifiers* argument is a list of the method qualifiers for the method. The order of the method qualifiers is significant.

The *specializers* argument is a list of the parameter specializers for the method. It must correspond in length to the number of required arguments of the generic function, or an error is signaled. This means that to obtain the default method on a given generic function, a list whose elements are the class named **t** must be given.

If there is no such method and the *errorp* argument is not supplied or is non-**nil**, **find-method** signals an error. If there is no such method and the *errorp* argument is **nil**, **find-method** returns **nil**. The default value of *errorp* is **t**.

The result of **find-method** is the method object with the given method qualifiers and parameter specializers.

See section 28.1.6.

*[Generic function]* **function-keywords** *method*  
*[Primary method]* **function-keywords** (*method* standard-method)

The generic function **function-keywords** is used to return the keyword parameter specifiers for a given method.

The *method* argument is a method object.

The generic function **function-keywords** returns two values: a list of the explicitly named keywords and a boolean that states whether **&allow-other-keys** had been specified in the method definition.

*[Macro]* **generic-function** lambda-list [[*↓option* | {method-description}\*]]

```

option ::= (:argument-precedence-order {parameter-name}+ )
| (declare {declaration}+)
| (:documentation string)
| (:method-combination symbol {arg}*)
| (:generic-function-class class-name)
| (:method-class class-name)

```

```

method-description ::= (:method {method-qualifier}* specialized-lambda-list {declaration / document

```

The **generic-function** macro creates an anonymous generic function. The generic function is created with the set of methods specified by its method descriptions.

The *option*, *method-qualifier*, and *specialized-lambda-list* arguments are the same as for **defgeneric**.

The generic function object is returned as the result.

If no method descriptions are specified, an anonymous generic function with no methods is created.

See **defgeneric**, and **defmethod**.

```

[Generic function] initialize-instance instance &rest initargs
[Primary method] initialize-instance (instance standard-object) &rest
initargs

```

The generic function **initialize-instance** is called by **make-instance** to initialize a newly created instance. The generic function **initialize-instance** is called with the new instance and the defaulted initialization arguments.

The system-supplied primary method on **initialize-instance** initializes the slots of the instance with values according to the initialization arguments and the **:initform** forms of the slots. It does this by calling the generic function **shared-initialize** with the following arguments: the instance, **t** (this indicates that all slots for which no initialization arguments are provided should be initialized according to their **:initform** forms) and the defaulted initialization arguments.

The *instance* argument is the object to be initialized.

The *initargs* argument consists of alternating initialization argument names and values.

The modified instance is returned as the result.

Programmers can define methods for **initialize-instance** to specify actions to be taken when an instance is initialized. If only **:after** methods

are defined, they will be run after the system-supplied primary method for initialization and therefore will not interfere with the default behavior of **initialize-instance**.

See sections 28.1.9, 28.1.9, and 28.1.9 as well as **shared-initialize**, **make-instance**, **slot-boundp**, and **slot-makunbound**.

*[Function]* **invalid-method-error** *method format-string &rest args*

The function **invalid-method-error** is used to signal an error when there is an applicable method whose qualifiers are not valid for the method combination type. The error message is constructed by using a **format** string and any arguments to it. Because an implementation may need to add additional contextual information to the error message, **invalid-method-error** should be called only within the dynamic extent of a method combination function.

The function **invalid-method-error** is called automatically when a method fails to satisfy every qualifier pattern and predicate in a **define-method-combination** form. A method combination function that imposes additional restrictions should call **invalid-method-error** explicitly if it encounters a method it cannot accept.

The *method* argument is the invalid method object.

The *format-string* argument is a control string that can be given to **format**, and *args* are any arguments required by that string.

Whether **invalid-method-error** returns to its caller or exits via **throw** is implementation-dependent.

See **define-method-combination**.

*[Generic function]* **make-instance** *class &rest initargs*

*[Primary method]* **make-instance** (*class* standard-class) *&rest initargs*

*[Primary method]* **make-instance** (*class* symbol) *&rest initargs*

The generic function **make-instance** creates a new instance of the given class.

The generic function **make-instance** may be used as described in section 28.1.9.

The *class* argument is a class object or a symbol that names a class. The remaining arguments form a list of alternating initialization argument names and values.

If the second of the preceding methods is selected, that method invokes **make-instance** on the arguments (**find-class** *class*) and *initargs*.

The initialization arguments are checked within **make-instance** (see section 28.1.9).

The new instance is returned.

The meta-object protocol can be used to define new methods on **make-instance** to replace the object-creation protocol.

See section 28.1.9 as well as **defclass**, **initialize-instance**, and **class-of**.

*[Generic function]* **make-instances-obsolete** *class*

*[Primary method]* **make-instances-obsolete** (*class* standard-class)

*[Primary method]* **make-instances-obsolete** (*class* symbol)

The generic function **make-instances-obsolete** is invoked automatically by the system when **defclass** has been used to redefine an existing standard class and the set of local slots accessible in an instance is changed or the order of slots in storage is changed. It can also be explicitly invoked by the user.

The function **make-instances-obsolete** has the effect of initiating the process of updating the instances of the class. During updating, the generic function **update-instance-for-redefined-class** will be invoked.

The *class* argument is a class object or symbol that names the class whose instances are to be made obsolete.

If the second of the preceding methods is selected, that method invokes **make-instances-obsolete** on (**find-class** *class*).

The modified class is returned. The result of **make-instances-obsolete** is **eq** to the *class* argument supplied to the first of the preceding methods.

See section 28.1.10 as well as **update-instance-for-redefined-class**.

*[Function]* **method-combination-error** *format-string* &rest *args*

The function **method-combination-error** is used to signal an error in method combination. The error message is constructed by using a **format** string and any arguments to it. Because an implementation may need to add additional contextual information to the error message, **method-combination-error** should be called only within the dynamic extent of a method combination function.

The *format-string* argument is a control string that can be given to **format**, and *args* are any arguments required by that string.

Whether **method-combination-error** returns to its caller or exits via **throw** is implementation-dependent.

See **define-method-combination**.

*[Generic function]* **method-qualifiers** *method*

*[Primary method]* **method-qualifiers** (*method* standard-method)

The generic function **method-qualifiers** returns a list of the qualifiers of the given method.

The *method* argument is a method object.

A list of the qualifiers of the given method is returned.

Example:

```
(setq methods (remove-duplicates methods
                                   :from-end t
                                   :key #'method-qualifiers
                                   :test #'equal))
```

See **define-method-combination**.

*[Function]* **next-method-p**

The locally defined function **next-method-p** can be used within the body of a method defined by a method-defining form to determine whether a next method exists.

The function **next-method-p** takes no arguments.

The function **next-method-p** returns true or false.

Like **call-next-method**, the function **next-method-p** has lexical scope (for it is defined only within the body of a method defined by a method-defining form) and indefinite extent.

See **call-next-method**.

*[Generic function]* **no-applicable-method** *generic-function* &rest  
*function-arguments*

*[Primary method]* **no-applicable-method** (*generic-function* t) &rest  
*function-arguments*

The generic function **no-applicable-method** is called when a generic function of the class **standard-generic-function** is invoked and no method on that generic function is applicable. The default method signals an error.

The generic function **no-applicable-method** is not intended to be called by programmers. Programmers may write methods for it.



The *generic-function* argument of **no-applicable-method** is the generic function object on which no applicable method was found.

The *function-arguments* argument is a list of the arguments to that generic function.

```
[Generic function] no-next-method generic-function method &rest args
[Primary method] no-next-method
(generic-function standard-generic-function) (method standard-method)
&rest args
```

The generic function **no-next-method** is called by **call-next-method** when there is no next method. The system-supplied method on **no-next-method** signals an error.

The generic function **no-next-method** is not intended to be called by programmers. Programmers may write methods for it.

The *generic-function* argument is the generic function object to which the method that is the second argument belongs.

The *method* argument is the method that contains the call to **call-next-method** for which there is no next method.

The *args* argument is a list of the arguments to **call-next-method**.

See **call-next-method**.

```
[Generic function] print-object object stream
[Primary method] print-object (object standard-object) stream
```

The generic function **print-object** writes the printed representation of an object to a stream. The function **print-object** is called by the print system; it should not be called by the user.

Each implementation must provide a method on the class **standard-object** and methods on enough other classes so as to ensure that there is always an applicable method. Implementations are free to add methods for other classes. Users can write methods for **print-object** for their own classes if they do not wish to inherit an implementation-supplied method.

The first argument is any Lisp object. The second argument is a stream; it cannot be **t** or **nil**.

The function **print-object** returns its first argument, the object.

Methods on **print-object** must obey the print control special variables named **\*print-xxx\*** for various *xxx*. The specific details are the following:

- Each method must implement **\*print-escape\***.
- The **\*print-pretty\*** control variable can be ignored by most methods other than the one for lists.
- The **\*print-circle\*** control variable is handled by the printer and can be ignored by methods.
- The printer takes care of **\*print-level\*** automatically, provided that each method handles exactly one level of structure and calls **write** (or an equivalent function) recursively if there are more structural levels. The printer's decision of whether an object has components (and therefore should not be printed when the printing depth is not less than **\*print-level\***) is implementation-dependent. In some implementations its **print-object** method is not called; in others the method is called, and the determination that the object has components is based on what it tries to write to the stream.
- Methods that produce output of indefinite length must obey **\*print-length\***, but most methods other than the one for lists can ignore it.
- The **\*print-base\***, **\*print-radix\***, **\*print-case\***, **\*print-gensym\***, and **\*print-array\*** control variables apply to specific types of objects and are handled by the methods for those objects.
- X3J13 voted in June 1989 to add the following point. All methods for **print-object** must obey **\*print-readably\***, which takes precedence over all other printer control variables. This includes both user-defined methods and implementation-defined methods.

If these rules are not obeyed, the results are undefined.

In general, the printer and the **print-object** methods should not rebound the print control variables as they operate recursively through the structure, but this is implementation-dependent.

In some implementations the stream argument passed to a **print-object** method is not the original stream but is an intermediate stream that implements part of the printer. Methods should therefore not depend on the identity of this stream.

All of the existing printing functions (**write**, **prin1**, **print**, **princ**, **pprint**, **write-to-string**, **prin1-to-string**, **princ-to-string**, the **~S** and **~A format** operations, and the **~B**, **~D**, **~E**, **~F**, **~G**, **~\$**, **~O**, **~R**, and **~X format** operations when they encounter a non-numeric value) are required to be changed to go through the **print-object** generic function. Each implementation is required to replace its former implementation of printing with one or more **print-object** methods. Exactly which classes have methods for **print-object** is not specified; it would be valid for an implementation to have one default method that is inherited by all system-defined classes.

*[Generic function]* **reinitialize-instance** *instance &rest initargs*  
*[Primary method]* **reinitialize-instance** (*instance* standard-object) *&rest initargs*

The generic function **reinitialize-instance** can be used to change the values of local slots according to initialization arguments. This generic function is called by the Meta-Object Protocol. It can also be called by users.

The system-supplied primary method for **reinitialize-instance** checks the validity of initialization arguments and signals an error if an initialization argument is supplied that is not declared valid. The method then calls the generic function **shared-initialize** with the following arguments: the instance, **nil** (which means no slots should be initialized according to their **:initform** forms) and the initialization arguments it received.

The *instance* argument is the object to be initialized.

The *initargs* argument consists of alternating initialization argument names and values.

The modified instance is returned as the result.

Initialization arguments are declared valid by using the **:initarg** option to **defclass**, or by defining methods for **reinitialize-instance** or **shared-initialize**. The keyword name of each keyword parameter specifier in the lambda-list of any method defined on **reinitialize-instance** or **shared-initialize** is declared a valid initialization argument name for all classes for which that method is applicable.

See sections 28.1.12, 28.1.9, 28.1.9 as well as **initialize-instance**, **slot-boundp**, **update-instance-for-redefined-class**, **update-instance-for-different-class**, **slot-makunbound**, and **shared-initialize**.

*[Generic function]* **remove-method** *generic-function method*

*[Primary method]* **remove-method**  
*(generic-function standard-generic-function) method*

The generic function **remove-method** removes a method from a generic function. It destructively modifies the specified generic function and returns the modified generic function as its result.

The *generic-function* argument is a generic function object.

The *method* argument is a method object. The function **remove-method** does not signal an error if the method is not one of the methods on the generic function.

The modified generic function is returned. The result of **remove-method** is **eq** to the *generic-function* argument.

See **find-method**.

*[Generic function]* **shared-initialize** *instance slot-names &rest initargs*  
*[Primary method]* **shared-initialize** (*instance standard-object*) *slot-names &rest initargs*

The generic function **shared-initialize** is used to fill the slots of an instance using initialization arguments and **:initform** forms. It is called when an instance is created, when an instance is re-initialized, when an instance is updated to conform to a redefined class, and when an instance is updated to conform to a different class. The generic function **shared-initialize** is called by the system-supplied primary method for **initialize-instance**, **reinitialize-instance**, **update-instance-for-redefined-class**, and **update-instance-for-different-class**.

The generic function **shared-initialize** takes the following arguments: the instance to be initialized, a specification of a set of names of slots accessible in that instance, and any number of initialization arguments. The arguments after the first two must form an initialization argument list. The system-supplied primary method on **shared-initialize** initializes the slots with values according to the initialization arguments and specified **:initform** forms. The second argument indicates which slots should be initialized according to their **:initform** forms if no initialization arguments are provided for those slots.

The system-supplied primary method behaves as follows, regardless of whether the slots are local or shared:

- If an initialization argument in the initialization argument list specifies

a value for that slot, that value is stored into the slot, even if a value has already been stored in the slot before the method is run.

- Any slots indicated by the second argument that are still unbound at this point are initialized according to their **:initform** forms. For any such slot that has an **:initform** form, that form is evaluated in the lexical environment of its defining **defclass** form and the result is stored into the slot. For example, if a **:before** method stores a value in the slot, the **:initform** form will not be used to supply a value for the slot.
- The rules mentioned in section 28.1.9 are obeyed.

The *instance* argument is the object to be initialized.

The *slot-names* argument specifies the slots that are to be initialized according to their **:initform** forms if no initialization arguments apply. It is supplied in one of three forms as follows:

- It can be a list of slot names, which specifies the set of those slot names.
- It can be **nil**, which specifies the empty set of slot names.
- It can be the symbol **t**, which specifies the set of all of the slots.

The *initargs* argument consists of alternating initialization argument names and values.

The modified instance is returned as the result.

Initialization arguments are declared valid by using the **:initarg** option to **defclass**, or by defining methods for **shared-initialize**. The keyword name of each keyword parameter specifier in the lambda-list of any method defined on **shared-initialize** is declared a valid initialization argument name for all classes for which that method is applicable.

Implementations are permitted to optimize **:initform** forms that neither produce nor depend on side effects by evaluating these forms and storing them into slots before running any **initialize-instance** methods, rather than by handling them in the primary **initialize-instance** method. (This optimization might be implemented by having the **allocate-instance** method copy a prototype instance.)

Implementations are permitted to optimize default initial value forms for initialization arguments associated with slots by not actually creating the

complete initialization argument list when the only method that would receive the complete list is the method on **standard-object**. In this case, default initial value forms can be treated like **:initform** forms. This optimization has no visible effects other than a performance improvement.

See sections 28.1.9, 28.1.9, 28.1.9 as well as **initialize-instance**, **reinitialize-instance**, **update-instance-for-redefined-class**, **update-instance-for-different-class**, **slot-boundp**, and **slot-makunbound**.

*[Function]* **slot-boundp** *instance slot-name*

The function **slot-boundp** tests whether a specific slot in an instance is bound.

The arguments are the instance and the name of the slot.

The function **slot-boundp** returns true or false.

This function allows for writing **:after** methods on **initialize-instance** in order to initialize only those slots that have not already been bound.

If no slot of the given name exists in the instance, **slot-missing** is called as follows:

```
(slot-missing (class-of instance)
              instance
              slot-name
              'slot-boundp)
```

The function **slot-boundp** is implemented using **slot-boundp-using-class**. See **slot-missing**.

*[Function]* **slot-exists-p** *object slot-name*

The function **slot-exists-p** tests whether the specified object has a slot of the given name.

The *object* argument is any object. The *slot-name* argument is a symbol.

The function **slot-exists-p** returns true or false.

The function **slot-exists-p** is implemented using **slot-exists-p-using-class**.

*[Function]* **slot-makunbound** *instance slot-name*

The function **slot-makunbound** restores a slot in an instance to the unbound state.

The arguments to **slot-makunbound** are the instance and the name of the slot.

The instance is returned as the result.

If no slot of the given name exists in the instance, **slot-missing** is called as follows:

```
(slot-missing (class-of instance)
              instance
              slot-name
              'slot-makunbound)
```

The function **slot-makunbound** is implemented using **slot-makunbound-using-class**. See **slot-missing**.

```
[Generic function] slot-missing class object slot-name operation
&optional new-value
[Primary method] slot-missing (class t) object slot-name operation
&optional new-value
```

The generic function **slot-missing** is invoked when an attempt is made to access a slot in an object whose metaclass is **standard-class** and the name of the slot provided is not a name of a slot in that class. The default method signals an error.

The generic function **slot-missing** is not intended to be called by programmers. Programmers may write methods for it.

The required arguments to **slot-missing** are the class of the object that is being accessed, the object, the slot name, and a symbol that indicates the operation that caused **slot-missing** to be invoked. The optional argument to **slot-missing** is used when the operation is attempting to set the value of the slot.

If a method written for **slot-missing** returns values, these values get returned as the values of the original function invocation.

The generic function **slot-missing** may be called during evaluation of **slot-value**, (**setf slot-value**), **slot-boundp**, and **slot-makunbound**. For each of these operations the corresponding symbol for the *operation* argument is **slot-value**, **setf**, **slot-boundp**, and **slot-makunbound**, respectively.

The set of arguments (including the class of the instance) facilitates defining methods on the metaclass for **slot-missing**.

*[Generic function]* **slot-unbound** *class instance slot-name*

*[Primary method]* **slot-unbound** (*class t*) *instance slot-name*

The generic function **slot-unbound** is called when an unbound slot is read in an instance whose metaclass is **standard-class**. The default method signals an error.

The generic function **slot-unbound** is not intended to be called by programmers. Programmers may write methods for it. The function **slot-unbound** is called only by the function **slot-value-using-class** and thus indirectly by **slot-value**.

The arguments to **slot-unbound** are the class of the instance whose slot was accessed, the instance itself, and the name of the slot.

If a method written for **slot-unbound** returns values, these values get returned as the values of the original function invocation.

An unbound slot may occur if no **:initform** form was specified for the slot and the slot value has not been set, or if **slot-makunbound** has been called on the slot.

See **slot-makunbound**.

*[Function]* **slot-value** *object slot-name*

The function **slot-value** returns the value contained in the slot *slot-name* of the given object. If there is no slot with that name, **slot-missing** is called. If the slot is unbound, **slot-unbound** is called.

The macro **setf** can be used with **slot-value** to change the value of a slot.

If an attempt is made to read a slot and no slot of the given name exists in the instance, **slot-missing** is called as follows:

```
(slot-missing (class-of instance)
              instance
              slot-name
              'slot-value)
```

If an attempt is made to write a slot and no slot of the given name exists in the instance, **slot-missing** is called as follows:

```
(slot-missing (class-of instance)
              instance
              slot-name)
```



```
'setf
  new-value)
```

The function **slot-value** is implemented using **slot-value-using-class**. Implementations may optimize **slot-value** by compiling it in-line.

See **slot-missing** and **slot-unbound**.

[At this point the original CLOS report [5, 7] contained a specification for **symbol-macrolet**. This specification is omitted here. Instead, a description of **symbol-macrolet** appears with those of related constructs in chapter 7.—GLS]

*[Generic function]* **update-instance-for-different-class** *previous current &rest initargs*

*[Primary method]* **update-instance-for-different-class**  
(*previous* standard-object) (*current* standard-object) *&rest initargs*

The generic function **update-instance-for-different-class** is not intended to be called by programmers. Programmers may write methods for it. This function is called only by the function **change-class**.

The system-supplied primary method on **update-instance-for-different-class** checks the validity of initialization arguments and signals an error if an initialization argument is supplied that is not declared valid. This method then initializes slots with values according to the initialization arguments and initializes the newly added slots with values according to their **:initform** forms. It does this by calling the generic function **shared-initialize** with the following arguments: the instance, a list of names of the newly added slots, and the initialization arguments it received. Newly added slots are those local slots for which no slot of the same name exists in the previous class.

Methods for **update-instance-for-different-class** can be defined to specify actions to be taken when an instance is updated. If only **:after** methods for **update-instance-for-different-class** are defined, they will be run after the system-supplied primary method for initialization and therefore will not interfere with the default behavior of **update-instance-for-different-class**.

The arguments to **update-instance-for-different-class** are computed by **change-class**. When **change-class** is invoked on an instance, a copy of that instance is made; **change-class** then destructively alters the original instance. The first argument to **update-instance-for-different-class**,

*previous*, is that copy; it holds the old slot values temporarily. This argument has dynamic extent within **change-class**; if it is referenced in any way once **update-instance-for-different-class** returns, the results are undefined. The second argument to **update-instance-for-different-class**, *current*, is the altered original instance.

The intended use of *previous* is to extract old slot values by using **slot-value** or **with-slots** or by invoking a reader generic function, or to run other methods that were applicable to instances of the original class.

The *initargs* argument consists of alternating initialization argument names and values.

The value returned by **update-instance-for-different-class** is ignored by **change-class**.

See the example for the function **change-class**.

Initialization arguments are declared valid by using the **:initarg** option to **defclass**, or by defining methods for **update-instance-for-different-class** or **shared-initialize**. The keyword name of each keyword parameter specifier in the lambda-list of any method defined on **update-instance-for-different-class** or **shared-initialize** is declared a valid initialization argument name for all classes for which that method is applicable.

Methods on **update-instance-for-different-class** can be defined to initialize slots differently from **change-class**. The default behavior of **change-class** is described in section 28.1.11.

See sections 28.1.11, 28.1.9, and 28.1.9 as well as **change-class** and **shared-initialize**.

*[Generic function]* **update-instance-for-redefined-class** *instance*  
*added-slots discarded-slots property-list &rest initargs*  
*[Primary method]* **update-instance-for-redefined-class**  
*(instance standard-object) added-slots discarded-slots property-list &rest*  
*initargs*

The generic function **update-instance-for-redefined-class** is not intended to be called by programmers. Programmers may write methods for it. The generic function **update-instance-for-redefined-class** is called by the mechanism activated by **make-instances-obsolete**.

The system-supplied primary method on **update-instance-for-redefined-class** checks the validity of initialization arguments and signals an error if an initialization argument is supplied that is not declared valid.

This method then initializes slots with values according to the initialization arguments and initializes the newly added slots with values according to their **:initform** forms. It does this by calling the generic function **shared-initialize** with the following arguments: the instance, a list of names of the newly added slots, and the initialization arguments it received. Newly added slots are those local slots for which no slot of the same name exists in the old version of the class.

When **make-instances-obsolete** is invoked or when a class has been redefined and an instance is being updated, a property list is created that captures the slot names and values of all the discarded slots with values in the original instance. The structure of the instance is transformed so that it conforms to the current class definition. The arguments to **update-instance-for-redefined-class** are this transformed instance, a list of the names of the new slots added to the instance, a list of the names of the old slots discarded from the instance, and the property list containing the slot names and values for slots that were discarded and had values. Included in this list of discarded slots are slots that were local in the old class and are shared in the new class.

The *initargs* argument consists of alternating initialization argument names and values.

The value returned by **update-instance-for-redefined-class** is ignored.

Initialization arguments are declared valid by using the **:initarg** option to **defclass** or by defining methods for **update-instance-for-redefined-class** or **shared-initialize**. The keyword name of each keyword parameter specifier in the lambda-list of any method defined on **update-instance-for-redefined-class** or **shared-initialize** is declared a valid initialization argument name for all classes for which that method is applicable.

See sections 28.1.10, 28.1.9, and 28.1.9 as well as **shared-initialize** and **make-instances-obsolete**.

```
(defclass position () ())
```

```
(defclass x-y-position (position)
  ((x :initform 0 :accessor position-x)
   (y :initform 0 :accessor position-y)))
```

```
;;; It turns out polar coordinates are used more than Cartesian
;;; coordinates, so the representation is altered and some new
;;; accessor methods are added.
```

```
(defmethod update-instance-for-redefined-class :before
  ((pos x-y-position) added deleted plist &key)
  ;; Transform the x-y coordinates to polar coordinates
  ;; and store into the new slots.
  (let ((x (getf plist 'x))
        (y (getf plist 'y)))
    (setf (position-rho pos) (sqrt (+ (* x x) (* y y)))
          (position-theta pos) (atan y x))))
```

```
(defclass x-y-position (position)
  ((rho :initform 0 :accessor position-rho)
   (theta :initform 0 :accessor position-theta)))
```

```
;;; All instances of the old x-y-position class will be updated
;;; automatically.
```

```
;;; The new representation has the look and feel of the old one.
```

```
(defmethod position-x ((pos x-y-position))
  (with-slots (rho theta) pos (* rho (cos theta))))
```

```
(defmethod (setf position-x) (new-x (pos x-y-position))
  (with-slots (rho theta) pos
    (let ((y (position-y pos)))
      (setq rho (sqrt (+ (* new-x new-x) (* y y)))
            theta (atan y new-x))
      new-x)))
```

```
(defmethod position-y ((pos x-y-position))
  (with-slots (rho theta) pos (* rho (sin theta))))
```

```
(defmethod (setf position-y) (new-y (pos x-y-position))
  (with-slots (rho theta) pos
    (let ((x (position-x pos)))
      (setq rho (sqrt (+ (* x x) (* new-y new-y)))
            theta (atan new-y x))
      new-y)))
```

*[Macro]* **with-accessors** (*{slot-entry}*<sup>\*</sup> *instance-form* *{declaration}*<sup>\*</sup> *{form}*<sup>\*</sup>)

The macro **with-accessors** creates a lexical environment in which specified slots are lexically available through their accessors as if they were variables. The macro **with-accessors** invokes the appropriate accessors to access the specified slots. Both **setf** and **setq** can be used to set the value of the slot.

The result returned is that obtained by executing the forms specified by the *body* argument.

Example:

```
(with-accessors ((x position-x) (y position-y)) p1
  (setq x y))
```

A **with-accessors** expression of the form

```
(with-accessors (slot1 ... slotn) instance
  declaration1 ... declarationm)
  form1 ... formk)
```

expands into the equivalent of

```
(let ((in instance))
  (symbol-macrolet ((variable1 (accessor1 in))
                    ...
                    (variablen (accessorn in)))
    declaration1 ... declarationm)
  form1 ... formk)
```

[X3J13 voted in March 1989 to modify the definition of **symbol-macrolet** substantially and also voted to allow declarations before the body

of **symbol-macrolet** but with peculiar treatment of **special** and type declarations. The syntactic changes are reflected in this definition of **with-accessors**.—GLS]

See **with-slots** and **symbol-macrolet**.

[*Macro*] **with-slots** ({slot-entry}\*) instance-form {declaration}\* {form}\*

*slot-entry* ::= *slot-name* | (*variable-name slot-name*)

The macro **with-slots** creates a lexical context for referring to specified slots as though they were variables. Within such a context the value of the slot can be specified by using its slot name, as if it were a lexically bound variable. Both **setf** and **setq** can be used to set the value of the slot.

The macro **with-slots** translates an appearance of the slot name as a variable into a call to **slot-value**.

The result returned is that obtained by executing the forms specified by the *body* argument.

Example:

```
(with-slots (x y) position-1
  (sqrt (+ (* x x) (* y y))))
```

```
(with-slots ((x1 x) (y1 y)) position-1
  (with-slots ((x2 x) (y2 y)) position-2
    (psetf x1 x2
           y1 y2))))
```

```
(with-slots (x y) position
  (setq x (1+ x)
        y (1+ y)))
```

A **with-slots** expression of the form:

```
(with-slots (slot-entry1 ... slot-entryn) instance
  declaration1 ... declarationm)
form1 ... formk)
```

expands into the equivalent of

```
(let ((in instance))
  (symbol-macrolet (Q1 ... Qn)
    declaration1 ... declarationm)
    form1 ... formk)
```

where *Q*<sub>*j*</sub> is

```
(slot-entryj (slot-value in 'slot-entryj))
```

if *slot-entry*<sub>*j*</sub> is a symbol and is

```
(variable-namej (slot-value in 'slot-namej))
```

if *slot-entry*<sub>*j*</sub> is of the form (*variable-name*<sub>*j*</sub> *slot-name*<sub>*j*</sub>).

[X3J13 voted in March 1989 to modify the definition of **symbol-macrolet** substantially and also voted to allow declarations before the body of **symbol-macrolet** but with peculiar treatment of **special** and type declarations. The syntactic changes are reflected in this definition of **with-slots**.—GLS]

See **with-accessors** and **symbol-macrolet**.

Table 28.1: Class Precedence Lists for Predefined Types

Predefined Common Lisp Type	Class Precedence List for Corresponding Class
array	(array t)
bit-vector	(bit-vector vector array sequence t)
character	(character t)
complex	(complex number t)
cons	(cons list sequence t)
float	(float number t)
function *	(function t)
hash-table *	(hash-table t)
integer	(integer rational number t)
list	(list sequence t)
null	(null symbol list sequence t)
number	(number t)
package *	(package t)
pathname *	(pathname t)
random-state *	(random-state t)
ratio	(ratio rational number t)
rational	(rational number t)
readtable *	(readtable t)
sequence	(sequence t)
stream *	(stream t)
string	(string vector array sequence t)
symbol	(symbol t)
t	(t)
vector	(vector array sequence t)

[An asterisk indicates a type added to this table as a consequence of a portion of the CLOS specification that was conditional on X3J13 voting to make that type disjoint from certain other built-in types.—GLS]



# Chapter 29

## Conditions

Author: Kent M. Pitman

This chapter presents the bulk of the Common Lisp Condition System proposal, written by Kent M. Pitman and amended by X3J13. I have edited it only very lightly to conform to the overall style of this book and have inserted a small number of bracketed remarks identified by the initials GLS. Please see the Acknowledgments to this second edition for the author’s acknowledgments to others who contributed to the Condition System proposal.

—Guy L. Steele Jr.

### 29.1 Introduction

Often we find it useful to describe a function in terms of its behavior in “normal situations.” For example, we may say informally that the function `+` returns the sum of its arguments or that the function `read-char` returns the next available character on a given input stream.

Sometimes, however, an “exceptional situation” will arise that does not fit neatly into such descriptions. For example, `+` might receive an argument that is not a number, or `read-char` might receive as a single argument a stream that has no more available characters. This distinction between normal and exceptional situations is in some sense arbitrary but is often very useful in practice.

For example, suppose a function `f` were defined to allow only integer arguments but also guaranteed to detect and signal an error for non-integer arguments. Such a description is in fact internally inconsistent (that is,

paradoxical) because the function's behavior is well-defined for non-integers. Yet we would not want this annoying paradox to force description of  $f$  as a function that accepts any kind of argument (just in case  $f$  is being called only as a quick way to signal an error, for example). Using the normal/exceptional distinction, we can say clearly that  $f$  accepts integers in the normal situation and signals an error in exceptional situations. Moreover, we can say that when we refer to the definition of a function informally, it is acceptable to speak only of its normal behavior. For example, we can speak informally about  $f$  as a function that accepts only integers without feeling that we are committing some awful fraud.

Not all exceptional situations are errors. For example, a program that is directing the typing of a long line of text may come to an end-of-line. It is possible that no real harm will result from failing to signal end-of-line to its caller because the operating system will simply force a carriage return on the output device, which will continue typing on the next line. However, it may still be interesting to establish a protocol whereby the printing program can inform its caller of end-of-line exceptions. The caller could then opt to deal with these situations in interesting ways at certain times. For example, a caller might choose to terminate printing, obtaining an end-of-line truncation. The important thing, however, is that the failure of the caller to provide advice about the situation need not prevent the printer program from operating correctly.

Mechanisms for dealing with exceptional situations vary widely. When an exceptional situation is encountered, a program may attempt to handle it by returning a distinguished value, returning an additional value, setting a variable, calling a function, performing a special transfer of control, or stopping the program altogether and entering the debugger.

For the most part, the facilities described in this chapter do not introduce any fundamentally new way of dealing with exceptional situations. Rather, they encapsulate and formalize useful patterns of data and control flow that have been seen to be useful in dealing with exceptional situations.

A proper conceptual approach to errors should perhaps begin from first principles, with a discussion of *conditions* in general, and eventually work up to the concept of an *error* as just one of the many kinds of conditions. However, given the primitive state of error-handling technology, a proper buildup may be as inappropriate as requiring that a beggar learn to cook a gourmet meal before being allowed to eat. Thus, we deal first with the essentials—error handling—and then go back later to fill in the missing details.

## 29.2 Changes in Terminology

In this section, we introduce changes to the terminology defined in section 1.2.4.

A *condition* is an interesting situation in a program that has been detected and announced. Later we allow this term also to refer to objects that programs use to represent such situations.

An *error* is a condition in which normal program execution may not continue without some form of intervention (either interactively by the user or under some sort of program control, as described below).

The process by which a condition is formally announced by a program is called *signaling*. The function **signal** is the primitive mechanism by which such announcement is done. Other abstractions, such as **error** and **cerror**, are built using **signal**.

The first edition is ambiguous about the reason why a particular program action “is an error.” There are two principal reasons why an action may be an error without being required to signal an error:

- Detecting the error might be prohibitively expensive.

For example, `(+ nil 3)` is an error. It is likely that the designers of Common Lisp believed this would be an error in all implementations but felt it might be excessively expensive to detect the problem in compiled code on stock hardware, so they did not require that it signal an error.

- Some implementations might implement the behavior as an extension.

For example, `(loop for x from 1 to 3 do (print x))` is an error because **loop** is not defined to take atoms in its body. In fact, however, some implementations offer an extension that makes this well-defined. In order to leave room for such extensions, the first edition used the “is an error” terminology to keep implementors from being forced to signal an error in the extended implementations.

[This example was written well before the vote by X3J13 in January 1989 to add exactly this extension to the forthcoming draft standard (see chapter 26).—GLS]

In this chapter, we use the following terminology. [Compare this to the terminology presented in section 28.1.1.—GLS]

- If the signaling of a condition or error is part of a function’s contract in all situations, we say that it “signals” or “must signal” that condition or error.
- If the signaling of a condition or error is optional for some important reason (such as performance), we say that the program “might signal” that condition or error. In this case, we are defining the operation to be illegal in all implementations, but allowing some implementations to fail to detect the error.
- If an action is left undefined for the sake of implementation-dependent extension, we say that it “is undefined” or “has undefined effect.” This means that it is not possible to depend portably upon the effects of that action. A program that has undefined effect may enter the debugger, transfer control, or modify data in unpredictable ways.
- In the special case where only the return value of an operation is not well defined but any side effect and transfer-of-control behavior is well defined, we say that it has “undefined value.” In this case, the number and nature of the return values is not defined, but the function can reasonably be expected to return. It is worth noting that under this description, there are some (though not many) legitimate ways in which such return value(s) can be used. For example, if the function **foo** has no side effects and undefined value, the expression **(length (list (foo)))** is completely well defined even for portable code. However, the effect of **(print (list (foo)))** is not well defined.

## 29.3 Survey of Concepts

This section discusses various aspects of the condition system by topic, illustrating them with extensive examples. The next section contains definitions of specific functions, macros, and other facilities.

### 29.3.1 Signaling Errors

Conceptually, signaling an error in a program is an admission by that program that it does not know how to continue and requires external interven-

tion. Once an error is signaled, any decision about how to continue must come from the “outside.”

The simplest way to signal an error is to use the **error** function with **format**-style arguments describing the error for the sake of the user interface. If **error** is called and there are no active handlers (described in sections 29.3.2 and 29.3.3), the debugger will be entered and the error message will be typed out. For example:

```
Lisp> (defun factorial (x)
      (cond ((or (not (typep x 'integer)) (minusp x))
             (error "~S is not a valid argument to FACTORIAL."
                    x))
            ((zerop x) 1)
            (t (* x (factorial (- x 1))))))
⇒ FACTORIAL
Lisp> (factorial 20)
⇒ 2432902008176640000
Lisp> (factorial -1)
Error: -1 is not a valid argument to FACTORIAL.
To continue, type :CONTINUE followed by an option number:
 1: Return to Lisp Toplevel.
Debug>
```

In general, a call to **error** cannot directly return. Unless special work has been done to override this behavior, the debugger will be entered and there will be no option to simply continue.

The only exception may be that some implementations may provide debugger commands for interactively returning from individual stack frames; even then, however, such commands should never be used except by someone who has read the erring code and understands the consequences of continuing from that point. In particular, the programmer should feel confident about writing code like this:

```
(defun wargames:no-win-scenario ()
  (when (true) (error "Pushing the button would be stupid."))
  (push-the-button))
```

In this scenario, there should be no chance that the function **error** will return and the button will be pushed.

---

**Remark:** It should be noted that the notion of “no chance” that the button will be pushed is relative only to the language model; it assumes that the language is accurately implemented. In practice, compilers have bugs, computers have glitches, and users have been known to interrupt at inopportune moments and use the debugger to return from arbitrary stack frames. Such violations of the language model are beyond the scope of the condition system but not necessarily beyond the scope of potential failures that the programmer should consider and defend against. The possibility of such unusual failures may of course also influence the design of code meant to handle less drastic situations, such as maintaining a database uncorrupted.—KMP and GLS

---

In some cases, the programmer may have a single, well-defined idea of a reasonable recovery strategy for this particular error. In that case, he can use the function **error**, which specifies information about what would happen if the user did simply continue from the call to **error**. For example:

```
Lisp> (defun factorial (x)
      (cond ((not (typep x 'integer))
            (error "~S is not a valid argument to FACTORIAL."
                  x))
            ((minusp x)
            (let ((x-magnitude (- x)))
              (error "Compute -(~D!) instead."
                    "~D! is not defined." x-magnitude)
              (- (factorial x-magnitude))))
            ((zerop x) 1)
            (t (* x (factorial (- x 1))))))
      => FACTORIAL
Lisp> (factorial -3)
Error: (-3)! is not defined.
To continue, type :CONTINUE followed by an option number:
1: Compute -(3!) instead.
2: Return to Lisp Toplevel.
Debug> :continue 1
=> -6
```

### 29.3.2 Trapping Errors

By default, a call to **error** will force entry into the debugger. You can override that behavior in a variety of ways. The simplest (and most blunt) tool for inhibiting entry to the debugger on an error is to use **ignore-errors**. In the normal situation, forms in the body of **ignore-errors** are evaluated sequentially and the last value is returned. If a condition of type **error** is signaled, **ignore-errors** immediately returns two values, namely **nil** and the condition that was signaled; the debugger is not entered and no error message is printed. For example:

```
Lisp> (setq filename "nosuchfile")
⇒ "nosuchfile"
Lisp> (ignore-errors (open filename :direction :input))
⇒ NIL and #<FILE-ERROR 3437523>
```

The second return value is an object that represents the kind of error. This is explained in greater detail in section 29.3.4.

In many cases, however, **ignore-errors** is not desirable because it deals with too many kinds of errors. Contrary to the belief of some, a program that does not enter the debugger is not necessarily better than one that does. Excessive use of **ignore-errors** may keep the program out of the debugger, but it may not increase the program's reliability, because the program may continue to run after encountering errors other than those you meant to work past. In general, it is better to attempt to deal only with the particular kinds of errors that you believe could legitimately happen. That way, if an unexpected error comes along, you will still find out about it.

**ignore-errors** is a useful special case built from a more general facility, **handler-case**, that allows the programmer to deal with particular kinds of conditions (including non-error conditions) without affecting what happens when other kinds of conditions are signaled. For example, an effect equivalent to that of **ignore-errors** above is achieved in the following example:

```
Lisp> (setq filename "nosuchfile")
⇒ "nosuchfile"
Lisp> (handler-case (open filename :direction :input)
      (error (condition)
              (values nil condition)))
⇒ NIL and #<FILE-ERROR 3437525>
```

However, using **handler-case**, one can indicate a more specific condition type than just “error.” Condition types are explained in detail later, but the syntax looks roughly like the following:

```
Lisp> (makunbound 'filename)
=> FILENAME
Lisp> (handler-case (open filename :direction :input)
      (file-error (condition)
                   (values nil condition)))
Error: The variable FILENAME is unbound.
To continue, type :CONTINUE followed by an option number:
1: Retry getting the value of FILENAME.
2: Specify a value of FILENAME to use this time.
3: Specify a value of FILENAME to store and use.
4: Return to Lisp Toplevel.
Debug>
```

### 29.3.3 Handling Conditions

Blind transfer of control to a **handler-case** is only one possible kind of recovery action that can be taken when a condition is signaled. The low-level mechanism offers great flexibility in how to continue once a condition has been signaled.

The basic idea behind condition handling is that a piece of code called the *signaler* recognizes and announces the existence of an exceptional situation using **signal** or some function built on **signal** (such as **error**).

The process of signaling involves the search for and invocation of a *handler*, a piece of code that will attempt to deal appropriately with the situation.

If a handler is found, it may either *handle* the situation, by performing some non-local transfer of control, or *decline* to handle it, by failing to perform a non-local transfer of control. If it declines, other handlers are sought.

Since the lexical environment of the signaler might not be available to handlers, a data structure called a *condition* is created to represent explicitly the relevant state of the situation. A condition either is created explicitly using **make-condition** and then passed to a function such as **signal**, or is created implicitly by a function such as **signal** when given appropriate non-condition arguments.



In order to handle the error, a handler is permitted to use any non-local transfer of control such as **go** to a tag in a **tagbody**, **return** from a **block**, or **throw** to a **catch**. In addition, structured abstractions of these primitives are provided for convenience in exception handling.

A handler can be made dynamically accessible to a program by use of **handler-bind**. For example, to create a handler for a condition of type **arithmetic-error**, one might write:

```
(handler-bind ((arithmetic-error handler))body)
```

The handler is a function of one argument, the condition. If a condition of the designated type is signaled while the *body* is executing (and there are no intervening handlers), the handler would be invoked on the given condition, allowing it the option of transferring control. For example, one might write a macro that executes a body, returning either its value(s) or the two values **nil** and the condition:

```
(defmacro without-arithmetic-errors (&body forms)
  (let ((tag (gensym)))
    `(block ,tag
      (handler-bind ((arithmetic-error
                      #'(lambda (c) ;Argument c is a condition
                          (return-from ,tag (values nil c))))))
      ,@body))))
```

The handler is executed in the dynamic context of the signaler, except that the set of available condition handlers will have been rebound to the value that was active at the time the condition handler was made active. If a handler declines (that is, it does not transfer control), other handlers are sought. If no handler is found and the condition was signaled by **error** or **cerror** (or some function such as **assert** that behaves like these functions), the debugger is entered, still in the dynamic context of the signaler.

### 29.3.4 Object-Oriented Basis of Condition Handling

Of course, the ability of the handler to usefully handle an exceptional situation is related to the quality of the information it is provided. For example, if all errors were signaled by

```
(error "some format string")
```

then the only piece of information that would be accessible to the handler would be an object of type **simple-error** that had a slot containing the format string.

If this were done, **string-equal** would be the preferred way to tell one error from another, and it would be very hard to allow flexibility in the presentation of error messages because existing handlers would tend to be broken by even tiny variations in the wording of an error message. This phenomenon has been the major failing of most error systems previously available in Lisp. It is fundamentally important to decouple the error message string (the human interface) from the objects that formally represent the error state (the program interface). We therefore have the notion of typed conditions, and of formal operations on those conditions that make them inspectable in a structured way.

This object-oriented approach to condition handling has the following important advantages over a text-based approach:

- Conditions are classified according to subtype relationships, making it easy to test for categories of conditions.
- Conditions have named slot values through which parameters are conveyed from the program that signals the condition to the program that handles it.
- Inheritance of methods and slots reduces the amount of explicit specification necessary to achieve various interesting effects.

Some condition types are defined by this document, but the set of condition types is extensible using **define-condition**. Common Lisp condition types are in fact CLOS classes, and condition objects are ordinary CLOS objects; **define-condition** merely provides an abstract interface that is a bit more convenient than **defclass** for defining conditions.

Here, as an example, we define a two-argument function called **divide** that is patterned after the `/` function but does some stylized error checking:

```
(defun divide (numerator denominator)
  (cond ((or (not (numberp numerator))
            (not (numberp denominator))))
        (error "(DIVIDE '~S '~S) - Bad arguments.")))
```

```

      numerator denominator))
((zerop denominator)
 (error 'division-by-zero
       :operator 'divide
       :operands (list numerator denominator)))
(t ...)))

```

Note that in the first clause we have used **error** with a string argument and in the second clause we have named a particular condition type, **division-by-zero**. In the case of a string argument, the condition type that will be signaled is **simple-error**.

The particular kind of error that is signaled may be important in cases where handlers are active. For example, **simple-error** inherits from type **error**, which in turn inherits from type **condition**. On the other hand, **division-by-zero** inherits from **arithmetic-error**, which inherits from **error**, which inherits from **condition**. So if a handler existed for **arithmetic-error** while a **division-by-zero** condition was signaled, that handler would be tried; however, if a **simple-error** condition were signaled in the same context, the handler for type **arithmetic-error** would not be tried.

### 29.3.5 Restarts

The Common Lisp Condition System creates a clear separation between the act of signaling an error of a particular type and the act of saying that a particular way of recovery is appropriate. In the **divide** example above, simply signaling an error does not imply a willingness on the part of the signaler to cooperate in any corrective action. For example, the following sample interaction illustrates that the only recovery action offered for this error is “Return to Lisp Toplevel”:

```

Lisp> (+ (divide 3 0) 7)
Error: Attempt to divide 3 by 0.
To continue, type :CONTINUE followed by an option number:
  1: Return to Lisp Toplevel.
Debug> :continue 1
Returned to Lisp Toplevel.
Lisp>

```

When an error is detected and the function **error** is called, execution cannot continue normally because **error** will not directly return. Control

can be transferred to other points in the program, however, by means of specially established “restarts.”

### 29.3.6 Anonymous Restarts

The simplest kind of restart involves structured transfer of control using a macro called **restart-case**. The **restart-case** form allows execution of a piece of code in a context where zero or more restarts are active, and where if one of those restarts is “invoked,” control will be transferred to the corresponding clause in the **restart-case** form. For example, we could rewrite the previous **divide** example as follows.

```
(defun divide (numerator denominator)
  (loop
    (restart-case
      (return
        (cond ((or (not (numberp numerator))
                   (not (numberp denominator)))
              (error "(DIVIDE '~S '~S) - Bad arguments."
                    numerator denominator))
              ((zerop denominator)
               (error 'division-by-zero
                     :operator 'divide
                     :operands (list numerator denominator)))
              (t ...)))
      (nil (arg1 arg2)
           :report "Provide new arguments for use by DIVIDE."
           :interactive
           (lambda ()
             (list (prompt-for 'number "Numerator: ")
                   (prompt-for 'number "Denominator: "))))
           (setq numerator arg1 denominator arg2))
      (nil (result)
           :report "Provide a value to return from DIVIDE."
           :interactive
           (lambda () (list (prompt-for 'number "Result: "))))
      (return result))))))
```

---

**Remark:** The function **prompt-for** used in this chapter in a number of places is not a part of Common Lisp. It is used in the examples in this chapter only to keep the presentation simple. It is assumed to accept a type specifier and optionally a format string and associated arguments. It uses the format string and associated arguments as part of an interactive prompt, and uses **read** to read a Lisp object; however, only an object of the type indicated by the type specifier is accepted.

The question of whether or not **prompt-for** (or something like it) would be a useful addition to Common Lisp is under consideration by X3J13, but as of January 1989 no action has been taken. In spite of its use in a number of examples, nothing in the Common Lisp Condition System depends on this function.

---

In the example, the **nil** at the head of each clause means that it is an “anonymous” restart. Anonymous restarts are typically invoked only from within the debugger. As we shall see later, it is possible to have “named restarts” that may be invoked from code without the need for user intervention.

If the arguments to anonymous restarts are not optional, then special information must be provided about what the debugger should use as arguments. Here the **:interactive** keyword is used to specify that information.

The **:report** keyword introduces information to be used when presenting the restart option to the user (by the debugger, for example).

Here is a sample interaction that takes advantage of the restarts provided by the revised definition of **divide**:

```
Lisp> (+ (divide 3 0) 7)
Error: Attempt to divide 3 by 0.
To continue, type :CONTINUE followed by an option number:
  1: Provide new arguments for use by the DIVIDE function.
  2: Provide a value to return from the DIVIDE function.
  3: Return to Lisp Toplevel.
Debug> :continue 1
1
Numerator: 4
Denominator: 2
⇒ 9
```

### 29.3.7 Named Restarts

In addition to anonymous restarts, one can have named restarts, which can be invoked by name from within code. As a trivial example, one could write

```
(restart-case (invoke-restart 'foo 3)
  (foo (x) (+ x 1)))
```

to add **3** to **1**, returning **4**. This trivial example is conceptually analogous to writing:

```
(+ (catch 'something (throw 'something 3)) 1)
```

For a more realistic example, the code for the function **symbol-value** might signal an unbound variable error as follows:

```
(restart-case (error "The variable ~S is unbound." variable)
  (continue ())
  :report
  (lambda (s) ;Argument s is a stream
    (format s "Retry getting the value of ~S." variable))
  (symbol-value variable))
  (use-value (value)
    :report
    (lambda (s) ;Argument s is a stream
      (format s "Specify a value of ~S to use this time."
              variable))
    value)
  (store-value (value)
    :report
    (lambda (s) ;Argument s is a stream
      (format s "Specify a value of ~S to store and use."
              variable))
    value)
  (setf (symbol-value variable) value)
  value))
```

If this were part of the implementation of **symbol-value**, then it would be possible for users to write a variety of automatic handlers for unbound variable errors. For example, to make unbound variables evaluate to themselves, one might write

```
(handler-bind ((unbound-variable
                #'(lambda (c) ;Argument c is a condition
                    (when (find-restart 'use-value)
                        (invoke-restart 'use-value
                                      (cell-error-name c)))))))
  body)
```

### 29.3.8 Restart Functions

For commonly used restarts, it is conventional to define a program interface that hides the use of **invoke-restart**. Such program interfaces to restarts are called *restart functions*.

The normal convention is for the function to share the name of the restart. The pre-defined functions **abort**, **continue**, **muffle-warning**, **store-value**, and **use-value** are restart functions. With **use-value** the above example of **handler-bind** could have been written more concisely as

```
(handler-bind ((unbound-variable
                #'(lambda (c) ;Argument c is a condition
                    (use-value (cell-error-name c))))))
  body)
```

### 29.3.9 Comparison of Restarts and Catch/Throw

One important feature that **restart-case** (or **restart-bind**) offers that **catch** does not is the ability to reason about the available points to which control might be transferred without actually attempting the transfer. One could, for example, write

```
(ignore-errors (throw ...))
```

which is a sort of poor man's variation of

```
(when (find-restart 'something)
  (invoke-restart 'something))
```

but there is no way to use **ignore-errors** and **throw** to simulate something like

```
(when (and (find-restart 'something)
           (find-restart 'something-else))
      (invoke-restart 'something))
```

or even just

```
(when (and (find-restart 'something)
           (yes-or-no-p "Do something? "))
      (invoke-restart 'something))
```

because the degree of inspectability that comes with simply writing

```
(ignore-errors (throw ...))
```

is too primitive—getting the desired information also forces transfer of control, perhaps at a time when it is not desirable.

Many programmers have previously evolved strategies like the following on a case-by-case basis:

```
(defvar *foo-tag-is-available* nil)
```

```
(defun fn-1 ()
  (catch 'foo
    (let ((*foo-tag-is-available* t))
      ... (fn-2) ...)))
```

```
(defun fn-2 ()
  ...
  (if *foo-tag-is-available* (throw 'foo t))
  ...)
```

The facility provided by **restart-case** and **find-restart** is intended to provide a standardized protocol for this sort of information to be communicated between programs that were developed independently so that individual variations from program to program do not thwart the overall modularity and debuggability of programs.

Another difference between the restart facility and the **catch/throw** facility is that a **catch** with any given tag completely shadows any outer pending **catch** that uses the same tag. Because of the presence of **compute-restarts**, however, it is possible to see shadowed restarts, which may be very useful in some situations (particularly in an interactive debugger).



### 29.3.10 Generalized Restarts

**restart-case** is a mechanism that allows only imperative transfer of control for its associated restarts. **restart-case** is built on a lower-level mechanism called **restart-bind**, which does not force transfer of control.

**restart-bind** is to **restart-case** as **handler-bind** is to **handler-case**. The syntax is

```
(restart-bind ((name function . options)) . body)
```

The *body* is executed in a dynamic context within which the *function* will be called whenever (**invoke-restart** '*name*) is executed. The *options* are keyword-style and are used to pass information such as that provided with the **:report** keyword in **restart-case**.

A **restart-case** expands into a call to **restart-bind** where the function simply does an unconditional transfer of control to a particular body of code, passing along “argument” information in a structured way.

It is also possible to write restarts that do not transfer control. Such restarts may be useful in implementing various special commands for the debugger that are of interest only in certain situations. For example, one might imagine a situation where file space was exhausted and the following was done in an attempt to free space in directory **dir**:

```
(restart-bind ((nil #'(lambda () (expunge-directory dir))
                  :report-function
                  #'(lambda (stream)
                     (format stream "Expunge ~A."
                               (directory-namestring dir))))))
  (error "Try this file operation again."
        'directory-full :directory dir))
```

In this case, the debugger might be entered and the user could first perform the expunge (which would not transfer control from the debugger context) and then retry the file operation:

```
Lisp> (open "FOO" :direction :output)
Error: The directory PS:<JDOE> is full.
To continue, type :CONTINUE followed by an option number:
1: Try this file operation again.
2: Expunge PS:<JDOE>.
```

```

3: Return to Lisp Toplevel.
Debug> :continue 2
Expunging PS:<JDOE> ... 3 records freed.
Debug> :continue 1
⇒ #<OUTPUT-STREAM "PS:<JDOE>FOO.LSP" 2323473>

```

### 29.3.11 Interactive Condition Handling

When a program does not know how to continue, and no active handler is able to advise it, the “interactive condition handler,” or “debugger,” can be entered. This happens implicitly through the use of functions such as **error** and **error**, or explicitly through the use of the function **invoke-debugger**.

The interactive condition handler never returns directly; it returns only through structured non-local transfer of control to specially defined restart points that can be set up either by the system or by user code. The mechanisms that support the establishment of such structured restart points for portable code are outlined in sections 29.3.5 through 29.3.10.

Actually, implementations may also provide extended debugging facilities that allow return from arbitrary stack frames. Although such commands are frequently useful in practice, their effects are implementation-dependent because they violate the Common Lisp program abstraction. The effect of using such commands is undefined with respect to Common Lisp.

### 29.3.12 Serious Conditions

The **ignore-errors** macro will trap conditions of type **error**. There are, however, conditions that are not of type **error**.

Some conditions are not considered errors but are still very serious, so we call them *serious conditions* and we use the type **serious-condition** to represent them. Conditions such as those that might be signaled for “stack overflow” or “storage exhausted” are in this category.

The type **error** is a subtype of **serious-condition**, and it would technically be correct to use the term “serious condition” to refer to all serious conditions whether errors or not. However, normally we use the term “serious condition” to refer to things of type **serious-condition** but not of type **error**.

The point of the distinction between errors and other serious conditions is that some conditions are known to occur for reasons that are beyond the scope

of Common Lisp to specify clearly. For example, we know that a stack will generally be used to implement function calling, and we know that stacks tend to be of finite size and are prone to overflow. Since the available stack size may vary from implementation to implementation, from session to session, or from function call to function call, it would be confusing to have expressions such as (**ignore-errors** (+ **a** **b**)) return a number sometimes and **nil** other times if **a** and **b** were always bound to numbers and the stack just happened to overflow on a particular call. For this reason, only conditions of type **error** and not all conditions of type **serious-condition** are trapped by **ignore-errors**. To trap other conditions, a lower-level facility must be used (such as **handler-bind** or **handler-case**).

By convention, the function **error** is preferred over **signal** to signal conditions of type **serious-condition** (including those of type **error**). It is the use of the function **error**, and not the type of the condition being signaled, that actually causes the debugger to be entered.

### 29.3.13 Non-Serious Conditions

Some conditions are neither errors nor serious conditions. They are signaled to give other programs a chance to intervene, but if no action is taken, computation simply continues normally.

For example, an implementation might choose to signal a non-serious (and implementation-dependent) condition called **end-of-line** when output reaches the last character position on a line of character output. In such an implementation, the signaling of this condition might allow a convenient way for other programs to intervene, producing output that is truncated at the end of a line.

By convention, the function **signal** is used to signal conditions that are not serious. It would be possible to signal serious conditions using **signal**, and the debugger would not be entered if the condition went unhandled. However, by convention, handlers will generally tend to assume that serious conditions and errors were signaled by calling the **error** function (and will therefore force entry to the interactive condition handler) and that they should work to avoid this.

### 29.3.14 Condition Types

Some types of conditions are predefined by the system. All types of conditions are subtypes of **condition**. That is, **(typep x 'condition)** is true if and only if the value of *x* is a condition.

Implementations supporting multiple (or non-hierarchical) type inheritance are expressly permitted to exploit multiple inheritance in the tree of condition types as implementation-dependent extensions, as long as such extensions are compatible with the specifications in this chapter. [X3J13 voted in March 1989 to integrate the Condition System and the Object System, so multiple inheritance is always available for condition types.—GLS]

In order to avoid problems in portable code that runs both in systems with multiple type inheritance and in systems without it, programmers are explicitly warned that while all correct Common Lisp implementations will ensure that **(typep c 'condition)** is true for all conditions *c* (and all subtype relationships indicated in this chapter will also be true), it should *not* be assumed that two condition types specified to be subtypes of the same third type are disjoint. (In some cases, disjoint subtypes are identified explicitly, but such disjointness is not to be assumed by default.) For example, it follows from the subtype descriptions contained in this chapter that in all implementations **(typep c 'control-error)** implies **(typep c 'error)**, but note that **(typep c 'control-error)** does *not* imply **(not (typep c 'cell-error))**.

### 29.3.15 Signaling Conditions

When a condition is signaled, the system tries to locate the most appropriate handler for the condition and to invoke that handler.

Handlers are established dynamically using **handler-bind** or abstractions built on **handler-bind**.

If an appropriate handler is found, it is called. In some circumstances, the handler may *decline* simply by returning without performing a non-local transfer of control. In such cases, the search for an appropriate handler is picked up where it left off, as if the called handler had never been present.

If no handler is found, or if all handlers that were found decline, **signal** returns **nil**.

Although it follows from the description above, it is perhaps worth noting explicitly that the lookup procedure described here will prefer a general but

more (dynamically) local handler over a specific but less (dynamically) local handler. Experience with existing condition systems suggests that this is a reasonable approach and works adequately in most situations. Some care should be taken when binding handlers for very general kinds of conditions, such as is done in **ignore-errors**. Often, binding for a more specific condition type than **error** is more appropriate.

### 29.3.16 Resignaling Conditions

[The contents of this section are still a subject of some debate within X3J13. The reader may wish to take this section with a grain of salt.—GLS]

Note that signaling a condition has no side effect on that condition, and that there is no dynamic state contained in a condition object. As such, it may at times be reasonable and appropriate to consider caching condition objects for repeated use, re-signaling conditions from within handlers, or saving conditions away somewhere and re-signaling them later.

For example, it may be desirable for the system to pre-allocate objects of type **storage-condition** so that they can be signaled when needed without attempting to allocate more storage.

### 29.3.17 Condition Handlers

A *handler* is a function of one argument, the condition to be handled. The handler may inspect the object to be sure it is “interested” in handling the condition.

A handler is executed in the dynamic context of the signaler, except that the set of available condition handlers will have been rebound to the value that was active at the time the condition handler was made active. The intent of this is to prevent infinite recursion because of errors in a condition handler.

After inspecting the condition, the handler should take one of the following actions:

- It might *decline* to handle the condition (by simply returning). When this happens, the returned values are ignored and the effect is the same as if the handler had been invisible to the mechanism seeking to find a handler. The next handler in line will be tried, or if no such handler exists, the condition will go unhandled.

- It might *handle* the condition (by performing some non-local transfer of control). This may be done either primitively using **go**, **return**, or **throw**, or more abstractly using a function such as **abort** or **invoke-restart**.
- It might signal another condition.
- It might invoke the interactive debugger.

In fact, the latter two actions (signaling another condition or entering the debugger) are really just ways of putting off the decision to either handle or decline, or trying to get someone else to make such a decision. Ultimately, all a handler can do is to handle or decline to handle.

### 29.3.18 Printing Conditions

When **\*print-escape\*** is **nil** (for example, when the **princ** function or the **~A** directive is used with **format**), the report method for the condition will be invoked. This will be done automatically by functions such as **invoke-debugger**, **break**, and **warn**, but there may still be situations in which it is desirable to have a condition report under explicit user control. For example,

```
(let ((form '(open "nosuchfile")))
  (handler-case (eval form)
    (serious-condition (c)
      (format t "~&Evaluation of ~S failed:~%~A" form c))))

might print something like
```

```
Evaluation of (OPEN "nosuchfile") failed:
The file "nosuchfile" was not found.
```

Some suggestions about the form of text typed by report methods:

- The message should generally be a complete sentence, beginning with a capital letter and ending with appropriate punctuation (usually a period).
- The message should *not* include any introductory text such as “**Error:**” or “**Warning:**” and should not be followed by a trailing newline. Such text will be added as may be appropriate to context by the routine invoking the report method.

- Except where unavoidable, the tab character (which is only semi-standard anyway) should not be used in error messages. Its effect may vary from one implementation to another and may cause problems even within an implementation because it may do different things depending on the column at which the error report begins.
- Single-line messages are preferred, but newlines in the middle of long messages are acceptable.
- If any program (for example, the debugger) displays messages indented from the prevailing left margin (for example, indented seven spaces because they are prefixed by the seven-character herald “**Error:**”), then that program will take care of inserting the appropriate indentation into the extra lines of a multi-line error message. Similarly, a program that prefixes error messages with semicolons so that they appear to be comments should take care of inserting a semicolon at the beginning of each line in a multi-line error message. (These rules are important because, even within a single implementation, there may be more than one program that presents error messages to the user, and they may use different styles of presentation. The caller of **error** cannot anticipate all such possible styles, and so it is incumbent upon the presenter of the message to make any necessary adjustments.)

When **\*print-escape\*** is not **nil**, the object should print in some useful (but usually fairly abbreviated) fashion according to the style of the implementation. It is not expected that a condition will be printed in a form suitable for **read**. Something like **#<ARITHMETIC-ERROR 1734>** is fine.

X3J13 voted in March 1989 to integrate the Condition System and the Object System. In the original Condition System proposal, no function was provided for directly accessing or setting the printer for a condition type, or for invoking it; the techniques described above were the sole interface to reporting. The vote specified that, in CLOS terms, condition reporting is mediated through the **print-object** method for the condition type (that is, class) in question, with **\*print-escape\*** bound to **nil**.

Specifying **(:report fn)** to **define-condition** when defining condition type *C* is equivalent to a separate method definition:

```
(defmethod print-object ((x C) stream)
  (if *print-escape*
      (call-next-method)
      (funcall #'fn x stream)))
```

Note that the method uses *fn* to print the condition only when **\*print-escape\*** has the value **nil**.

## 29.4 Program Interface to the Condition System

This section describes functions, macros, variables, and condition types associated with the Common Lisp Condition System.

### 29.4.1 Signaling Conditions

The functions in this section provide various mechanisms for signaling warnings, breaks, continuable errors, and fatal errors.

*[Function]* **error** *datum* &*rest arguments*

Invokes the signal facility on a condition. If the condition is not handled, (**invoke-debugger** *condition*) is executed. As a consequence of calling **invoke-debugger**, **error** never directly returns to its caller; the only exit from this function can come by non-local transfer of control in a handler or by use of an interactive debugging command.

If *datum* is a condition, then that condition is used directly. In this case, it is an error for the list of *arguments* to be non-empty; that is, **error** must have been called with exactly one argument, the condition.

If *datum* is a condition type (a class or class name), then the condition used is effectively the result of (**apply** #'**make-condition** *datum* *arguments*).

If *datum* is a string, then the condition used is effectively the result of

```
(make-condition 'simple-error
  :format-string datum
  :format-arguments arguments)
```



[Function] **cerror** *continue-format-string datum &rest arguments*

The function **cerror** invokes the error facility on a condition. If the condition is not handled, (**invoke-debugger** *condition*) is executed. While signaling is going on, and while control is in the debugger (if it is reached), it is possible to continue program execution (thereby returning from the call to **cerror**) using the **continue** restart.

If *datum* is a condition, then that condition is used directly. In this case, the list of *arguments* need not be empty, but will be used only with the *continue-format-string* and will not be used to initialize *datum*.

If *datum* is a condition type (a class or class name), then the condition used is effectively the result of (**apply** #'**make-condition** *datum arguments*).

If *datum* is a string, then the condition used is effectively the result of

```
(make-condition 'simple-error
               :format-string datum
               :format-arguments arguments)
```

The *continue-format-string* must be a string. Note that if *datum* is not a string, then the format arguments used by the *continue-format-string* will still be the list of *arguments* (which is in keyword format if *datum* is a condition type). In this case, some care may be necessary to set up the *continue-format-string* correctly. The **format** directive `~*`, which ignores and skips over **format** arguments, may be particularly useful in this situation.

The value returned by **cerror** is **nil**.

[Function] **signal** *datum &rest arguments*

Invokes the signal facility on a condition. If the condition is not handled, **signal** returns **nil**.

If *datum* is a condition, then that condition is used directly. In this case, it is an error for the list of *arguments* to be non-empty; that is, **signal** must have been called with exactly one argument, the condition.

If *datum* is a condition type (a class or class name), then the condition used is effectively the result of (**apply** #'**make-condition** *datum arguments*).

If *datum* is a string, then the condition used is effectively the result of

```
(make-condition 'simple-error
               :format-string datum
               :format-arguments arguments)
```

Note that if (**typep** *condition* **\*break-on-signals\***) is true, then the debugger will be entered prior to beginning the process of signaling. The **continue** restart function may be used to continue with the signaling process; the restart is associated with the signaled condition as if by use of **with-condition-restarts**. This is true also for all other functions and macros that signal conditions, such as **warn**, **error**, **cerror**, **assert**, and **check-type**.

During the dynamic extent of a call to **signal** with a particular condition, the effect of calling **signal** again on that condition object for a distinct abstract event is not defined. For example, although a handler *may* resignal a condition in order to allow outer handlers first shot at handling the condition, two distinct asynchronous keyboard events must not signal an the same (**eq**) condition object at the same time.

For further details about signaling and handling, see the discussion of condition handlers in section 29.3.17.

[*Variable*] **\*break-on-signals\***

This variable is intended primarily for use when the user is debugging programs that do signaling. The value of **\*break-on-signals\*** should be suitable as a second argument to **typep**, that is, a type or type specifier.

When (**typep** *condition* **\*break-on-signals\***) is true, then calls to **signal** (and to other advertised functions such as **error** that implicitly call **signal**) will enter the debugger prior to signaling that *condition*. The **continue** restart may be used to continue with the normal signaling process; the restart is associated with the signaled condition as if by use of **with-condition-restarts**.

Note that **nil** is a valid type specifier. If the value of **\*break-on-signals\*** is **nil**, then **signal** will never enter the debugger in this implicit manner.

When setting this variable, the user is encouraged to choose the most restrictive specification that suffices. Setting this flag effectively violates the modular handling of condition signaling that this chapter seeks to establish. Its complete effect may be unpredictable in some cases, since the user may not be aware of the variety or number of calls to **signal** that are used in programs called only incidentally.

By default—and certainly in any “production” use—the value of this variable should be **nil**, both for reasons of performance and for reasons of modularity and abstraction.

### 29.4.2 Assertions

These facilities are designed to make it convenient for the user to insert error checks into code.

*[Macro]* **check-type** *place* *typespec* [*string*]

A **check-type** form signals an error of type **type-error** if the contents of *place* are not of the desired type.

If a condition is signaled, handlers of this condition can use the functions **type-error-datum** and **type-error-expected-type** to access the contents of *place* and the *typespec*, respectively.

This function can return only if the **store-value** restart is invoked, either explicitly from a handler or implicitly as one of the options offered by the debugger. The restart is associated with the signaled condition as if by use of **with-condition-restarts**.

If **store-value** is called, **check-type** will store the new value that is the argument to **store-value** (or that is prompted for interactively by the debugger) in *place* and start over, checking the type of the new value and signaling another error if it is still not the desired type. Subforms of *place* may be evaluated multiple times because of the implicit loop generated. **check-type** returns **nil**.

The *place* must be a generalized variable reference acceptable to **setf**. The *typespec* must be a type specifier; it is not evaluated. The **string** should be an English description of the type, starting with an indefinite article (“a” or “an”); it is evaluated. If the *string* is not supplied, it is computed automatically from the *typespec*. (The optional *string* argument is allowed because some applications of **check-type** may require a more specific description of what is wanted than can be generated automatically from the type specifier.)

The error message will mention the *place*, its contents, and the desired type.

---

**Implementation note:** An implementation may choose to generate a somewhat differently worded error message if it recognizes that *place* is of a particular form, such as one of the arguments to the function that called **check-type**.

---

```

Lisp> (setq aardvarks '(sam harry fred))
⇒ (SAM HARRY FRED)
Lisp> (check-type aardvarks (array * (3)))
Error: The value of AARDVARKS, (SAM HARRY FRED),
      is not a 3-long array.
To continue, type :CONTINUE followed by an option number:
  1: Specify a value to use instead.
  2: Return to Lisp Toplevel.
Debug> :continue 1
Use Value: #(sam fred harry)
⇒ NIL
Lisp> aardvarks
⇒ #<ARRAY-3 13571>
Lisp> (map 'list #'identity aardvarks)
⇒ (SAM FRED HARRY)
Lisp> (setq aaccount 'foo)
⇒ FOO
Lisp> (check-type aaccount (integer 0 *) "a non-negative integer")
Error: The value of AACOUNT, FOO, is not a non-negative integer.
To continue, type :CONTINUE followed by an option number:
  1: Specify a value to use instead.
  2: Return to Lisp Toplevel.
Debug> :continue 2
Lisp>

```

*[Macro]* **assert** test-form [(*{place}*\*) [*datum {argument}*\*]]

An **assert** form signals an error if the value of the *test-form* is **nil**. Continuing from this error using the **continue** restart will allow the user to alter the values of some variables, and **assert** will then start over, evaluating the *test-form* again. (The restart is associated with the signaled condition as if by use of **with-condition-restarts**.) **assert** returns **nil**.

The *test-form* may be any form. Each *place* (there may be any number of them, or none) must be a generalized variable reference acceptable to **setf**. These should be variables on which *test-form* depends, whose values may sensibly be changed by the user in attempting to correct the error. Subforms of each *place* are evaluated only if an error is signaled, and may be re-evaluated if the error is re-signaled (after continuing without actually fixing the problem).

The *datum* and *arguments* are evaluated only if an error is to be signaled, and re-evaluated if the error is to be signaled again.

If *datum* is a condition, then that condition is used directly. In this case, it is an error to specify any *arguments*.

If *datum* is a condition type (a class or class name), then the condition used is effectively the result of **(apply #'make-condition datum (list {argument}\*))**.

If *datum* is a string, then the condition used is effectively the result of

```
(make-condition 'simple-error
  :format-string datum
  :format-arguments (list {argument}*))
```

If *datum* is omitted, then a condition of type **simple-error** is constructed using the *test-form* as data. For example, the following might be used:

```
(make-condition 'simple-error
  :format-string "The assertion ~S failed."
  :format-arguments '(test-form))
```

Note that the *test-form* itself, and not its value, is used as the format argument.

---

**Implementation note:** The debugger need not include the *test-form* in the error message, and any *places* should not be included in the message, but they should be made available for the user's perusal. If the user gives the "continue" command, an opportunity should be presented to alter the values of any or all of the references. The details of this depend on the implementation's style of user interface, of course.

---

Here is an example of the use of **assert**:

```
(setq x (make-array '(3 5) :initial-element 3))
(setq y (make-array '(3 5) :initial-element 7))

(defun matrix-multiply (a b)
  (let ((*print-array* nil))
    (assert (and (= (array-rank a) (array-rank b) 2)
                 (= (array-dimension a 1)
                    (array-dimension b 0))))
    (a b)
    "Cannot multiply ~S by ~S." a b)
  (really-matrix-multiply a b)))
```

```
(matrix-multiply x y)
Error: Cannot multiply #<ARRAY-3-5 12345> by #<ARRAY-3-5 12364>.
To continue, type :CONTINUE followed by an option number:
1: Specify new values.
2: Return to Lisp Toplevel.
Debug> :continue 1
Value for A: x
Value for B: (make-array '(5 3) :initial-element 6)
⇒ #2A((54 54 54 54 54)
      (54 54 54 54 54)
      (54 54 54 54 54)
      (54 54 54 54 54)
      (54 54 54 54 54))
```

### 29.4.3 Exhaustive Case Analysis

The syntax for **etypecase** and **ctypecase** is the same as for **typecase**, except that no **otherwise** clause is permitted. Similarly, the syntax for **ecase** and **ccase** is the same as for **case** except for the **otherwise** clause.

**etypecase** and **ecase** are similar to **typecase** and **case**, respectively, but signal a non-continuable error rather than returning **nil** if no clause is selected.

**ctypecase** and **ccase** are also similar to **typecase** and **case**, respectively, but signal a continuable error if no clause is selected.

*[Macro]* **etypecase** keyform  $\{(type \{form\}^*)\}^*$

This control construct is similar to **typecase**, but no explicit **otherwise** or **t** clause is permitted. If no clause is satisfied, **etypecase** signals an error (of type **type-error**) with a message constructed from the clauses. It is not permissible to continue from this error. To supply an error message, the user should use **typecase** with an **otherwise** clause containing a call to **error**. The name of this function stands for “exhaustive type case” or “error-checking type case.”

Example:

```
Lisp> (setq x 1/3)
⇒ 1/3
```

```
Lisp> (etypecase x
      (integer (* x 4))
      (symbol (symbol-value x)))
Error: The value of X, 1/3, is neither an integer nor a symbol.
To continue, type :CONTINUE followed by an option number:
 1: Return to Lisp Toplevel.
Debug>
```

[Macro] **ctypecase** *keyplace* {(type {form}\*)}\*

This control construct is similar to **typecase**, but no explicit **otherwise** or **t** clause is permitted.

The *keyplace* must be a generalized variable reference acceptable to **setf**. If no clause is satisfied, **ctypecase** signals an error (of type **type-error**) with a message constructed from the clauses. This error may be continued using the **store-value** restart. The argument to **store-value** is stored in *keyplace* and then **ctypecase** starts over, making the type tests again. Subforms of *keyplace* may be evaluated multiple times. If the **store-value** restart is invoked interactively, the user will be prompted for the value to be used.

The name of this function is mnemonic for “continuable (exhaustive) type case.”

Example:

```
Lisp> (setq x 1/3)
=> 1/3
Lisp> (ctypecase x
      (integer (* x 4))
      (symbol (symbol-value x)))
Error: The value of X, 1/3, is neither an integer nor a symbol.
To continue, type :CONTINUE followed by an option number:
 1: Specify a value to use instead.
 2: Return to Lisp Toplevel.
Debug> :continue 1
Use value: 3.7
Error: The value of X, 3.7, is neither an integer nor a symbol.
To continue, type :CONTINUE followed by an option number:
 1: Specify a value to use instead.
 2: Return to Lisp Toplevel.
```

```
Debug> :continue 1
Use value: 12
⇒ 48
```

*[Macro]* **ecase** keyform {{{({key}\*) | key} {form}\*)}\*}

This control construct is similar to **case**, but no explicit **otherwise** or **t** clause is permitted. If no clause is satisfied, **ecase** signals an error (of type **type-error**) with a message constructed from the clauses. It is not permissible to continue from this error. To supply an error message, the user should use **case** with an **otherwise** clause containing a call to **error**. The name of this function stands for “exhaustive case” or “error-checking case.”

Example:

```
Lisp> (setq x 1/3)
⇒ 1/3
Lisp> (ecase x
      (alpha (foo))
      (omega (bar))
      ((zeta phi) (baz)))
```

Error: The value of X, 1/3, is not ALPHA, OMEGA, ZETA, or PHI.

To continue, type :CONTINUE followed by an option number:

1: Return to Lisp Toplevel.

```
Debug>
```

*[Macro]* **ccase** keyplace {{{({key}\*) | key} {form}\*)}\*}

This control construct is similar to **case**, but no explicit **otherwise** or **t** clause is permitted.

The *keyplace* must be a generalized variable reference acceptable to **setf**. If no clause is satisfied, **ccase** signals an error (of type **type-error**) with a message constructed from the clauses. This error may be continued using the **store-value** restart. The argument to **store-value** is stored in *keyplace* and then **ccase** starts over, making the type tests again. Subforms of *keyplace* may be evaluated multiple times. If the **store-value** restart is invoked interactively, the user will be prompted for the value to be used.

The name of this function is mnemonic for “continuable (exhaustive) case.”

---

**Implementation note:** The **type-error** signaled by **ccase** and **ecase** is free to choose any representation of the acceptable argument type that it wishes for



placement in the expected-type slot. It will always work to use type (**member . keys**), but in some cases it may be more efficient, for example, to use a type that represents an integer subrange or a type composed using the **or** type specifier.

---

### 29.4.4 Handling Conditions

These macros allow a program to gain control when a condition is signaled.

[*Macro*] **handler-case** *expression* {(typespec ([var]) {form}\*)}\*<sup>\*</sup>

Executes the given *expression* in a context where various specified handlers are active.

Each *typespec* may be any type specifier. If during the execution of the *expression* a condition is signaled for which there is an appropriate clause—that is, one for which (**typep condition 'typespec**) is true—and if there is no intervening handler for conditions of that type, then control is transferred to the body of the relevant clause (unwinding the dynamic state appropriately in the process) and the given variable **var** is bound to the condition that was signaled. If no such condition is signaled and the computation runs to completion, then the values resulting from the *expression* are returned by the **handler-case** form.

If more than one case is provided, those cases are made accessible in parallel. That is, in

```
(handler-case expression
  (type1 (var1) form1)
  (type2 (var2) form2))
```

if the first clause (containing *form*<sub>1</sub>) has been selected, the handler for the second is no longer visible (and vice versa).

The cases are searched sequentially from top to bottom. If a signaled condition matches more than one case (possible if there is type overlap) the earlier of the two cases will be selected.

If the variable *var* is not needed, it may be omitted. That is, a clause such as

```
(type (var) (declare (ignore var)) form)
```

may be written using the following shorthand notation:

```
(type () form)
```

If there are no forms in a selected case, the case returns **nil**. Note that

```
(handler-case expression
  (type1 (var1) . body1)
  (type2 (var2) . body2)
  ...)
```

is approximately equivalent to

```
(block #1=#:block-1
  (let (#2=#:var-2)
    (tagbody
      (handler-bind ((type1 #'(lambda (temp)
                               (setq #2# temp)
                               (go #3=#:tag-3)))
                    (type2 #'(lambda (temp)
                               (setq #2# temp)
                               (go #4=#:tag-4)))
                    ...))
      (return-from #1# expression))
    #3# (return-from #1# (let ((var1 #2#)) . body1))
    #4# (return-from #1# (let ((var2 #2#)) . body2))
    ...)))
```

[Note the use of “gensyms” such as **#:block-1** as block names, variables, and **tagbody** tags in this example, and the use of **#n=** and **#n#** read-macro syntax to indicate that the very same gensym appears in multiple places.—GLS]

As a special case, the *typespec* can also be the symbol **:no-error** in the last clause. If it is, it designates a clause that will take control if the *expression* returns normally. In that case, a completely general lambda-list may follow the symbol **:no-error**, and the arguments to which the lambda-list parameters are bound are like those for **multiple-value-call** on the return value of the *expression*. For example,

```
(handler-case expression
  (type1 (var1) . body1)
  (type2 (var2) . body2)
  ...
  (typen (varn) . bodyn)
  (:no-error (nvar1 nvar2 ... nvarm) . nbody))
```

is approximately equivalent to

```
(block #1=#:error-return
  (multiple-value-call #'(lambda (nvar1 nvar2 ... nvarm) . nbody)
    (block #2=#:normal-return
      (return-from #1#
        (handler-case (return-from #2# expression)
          (type1 (var1) . body1)
          (type2 (var2) . body2)
          ...
          (typen (varn) . bodyn))))))
```

Examples of the use of **handler-case**:

```
(handler-case (/ x y)
  (division-by-zero () nil))
```

```
(handler-case (open *the-file* :direction :input)
  (file-error (condition) (format t "~&Foey: ~A~%" condition)))
```

```
(handler-case (some-user-function)
  (file-error (condition) condition)
  (division-by-zero () 0)
  ((or unbound-variable undefined-function) () 'unbound))
```

```
(handler-case (intern x y)
  (error (condition) condition)
  (:no-error (symbol status)
    (declare (ignore symbol))
    status))
```

*[Macro]* **ignore-errors** {form}\*

Executes its body in a context that handles conditions of type **error** by returning control to this form. If no such condition is signaled, any values returned by the last form are returned by **ignore-errors**. Otherwise, two values are returned: **nil** and the **error** condition that was signaled.

**ignore-errors** could be defined by

```
(defmacro ignore-errors (&body forms)
  '(handler-case (progn ,@forms)
    (error (c) (values nil c))))
```

*[Macro]* **handler-bind** ({(typespec handler)}\*) {form}\*

Executes body in a dynamic context where the given handler bindings are in effect. Each *typespec* may be any type specifier. Each *handler* form should evaluate to a function to be used to handle conditions of the given type(s) during execution of the *forms*. This function should take a single argument, the condition being signaled.

If more than one binding is specified, the bindings are searched sequentially from top to bottom in search of a match (by visual analogy with **type-case**). If an appropriate *typespec* is found, the associated handler is run in a context where none of the handler bindings are visible (to avoid recursive errors). For example, in the case of

```
(handler-bind ((unbound-variable #'(lambda ...))
              (error #'(lambda ...))))
...)
```

if an unbound variable error is signaled in the body (and not handled by an intervening handler), the first function will be called. If any other kind of error is signaled, the second function will be called. In either case, neither handler will be active while executing the code in the associated function.

### 29.4.5 Defining Conditions

[The contents of this section are still a subject of some debate within X3J13. The reader may wish to take this section with a grain of salt, two aspirin tablets, and call a hacker in the morning.—GLS]

*[Macro]* **define-condition** name ({parent-type}\*)  
[({slot-specifier}\*) {option}\*]

Defines a new condition type called *name*, which is a subtype of each given *parent-type*. Except as otherwise noted, the arguments are not evaluated.

Objects of this condition type will have all of the indicated *slots*, plus any additional slots inherited from the parent types (its superclasses). If the *slots* list is omitted, the empty list is assumed.

A *slot* must have the form

*slot-specifier* ::= *slot-name* | (*slot-name* [ $\Downarrow$  *slot-option*])

For the syntax of a *slot-option*, see **defclass**. The slots of a condition object are normal CLOS slots. Note that **with-slots** may be used instead of accessor functions to access slots of a condition object.

**make-condition** will accept keywords (in the keyword package) with the print name of any of the designated slots, and will initialize the corresponding slots in conditions it creates.

Accessors are created according to the same rules as used by **defclass**.

The valid *options* are as follows:

(**:documentation** *doc-string*) The *doc-string* should be either **nil** or a string that describes the purpose of the condition type. If this option is omitted, **nil** is assumed. Calling (**documentation** '*name*' *type*) will retrieve this information.

(**:report** *exp*) If *exp* is not a literal string, it must be a suitable argument to the **function** special operator. The expression (**function** *exp*) will be evaluated in the current lexical environment. It should produce a function of two arguments, a condition and a stream, that prints on the stream a description of the condition. This function is called whenever the condition is printed while **\*print-escape\*** is **nil**.

If *exp* is a literal string, it is shorthand for

```
(lambda (c s)
  (declare (ignore c))
  (write-string exp s))
```

[That is, a function is provided that will simply write the given string literally to the stream, regardless of the particular condition object supplied.—GLS]

The **:report** option is processed *after* the new condition type has been defined, so use of the slot accessors within the report function is permitted. If this option is not specified, information about how to report this type of condition will be inherited from the *parent-type*.

[X3J13 voted in March 1989 to integrate the Condition System and the Object System. In the original Condition System proposal, **define-condition** allowed only one *parent-type* (the inheritance structure was a simple hierarchy). Slot descriptions were much simpler, even simpler than those for **defstruct**:

*slot ::= slot-name | (slot-name) | (slot-name default-value)*

Similarly, **define-condition** allowed a **:conc-name** option similar to that of **defstruct**:

**(:conc-name *symbol-or-string*)** **Not now part of Common Lisp.** As with **defstruct**, this sets up automatic prefixing of the names of slot accessors. Also as in **defstruct**, the default behavior is to use the name of the new type, *name*, followed by a hyphen. (Generated names are interned in the package that is current at the time that the **define-condition** is processed).

One consequence of the vote was to make **define-condition** slot descriptions like those of **defclass**.—GLS]

Here are some examples of the use of **define-condition**.

The following form defines a condition of type **peg/hole-mismatch** that inherits from a condition type called **blocks-world-error**:

```
(define-condition peg/hole-mismatch (blocks-world-error)
  (peg-shape hole-shape)
  (:report
   (lambda (condition stream)
     (with-slots (peg-shape hole-shape) condition
       (format stream "A ~A peg cannot go in a ~A hole."
                 peg-shape hole-shape))))))
```

The new type has slots **peg-shape** and **hole-shape**, so **make-condition** will accept **:peg-shape** and **:hole-shape** keywords. The **with-slots** macro may be used to access the **peg-shape** and **hole-shape** slots, as illustrated in the **:report** information.

Here is another example. This defines a condition called **machine-error** that inherits from **error**:

```
(define-condition machine-error (error)
  ((machine-name
    :reader machine-error-machine-name))
  (:report (lambda (condition stream)
             (format stream "There is a problem with ~A."
                       (machine-error-machine-name condition))))))
```

Building on this definition, we can define a new error condition that is a subtype of **machine-error** for use when machines are not available:

```
(define-condition machine-not-available-error (machine-error) ()
  (:report (lambda (condition stream)
             (format stream "The machine ~A is not available."
                       (machine-error-machine-name condition))))))
```

We may now define a still more specific condition, built upon **machine-not-available-error**, that provides a default for **machine-name** but does not provide any new slots or report information. It just gives the **machine-name** slot a default initialization:

```
(define-condition my-favorite-machine-not-available-error
  (machine-not-available-error)
  ((machine-name :initform "MC.LCS.MIT.EDU")))
```

Note that since no **:report** clause was given, the information inherited from **machine-not-available-error** will be used to report this type of condition.

## 29.4.6 Creating Conditions

The function **make-condition** is the basic means for creating condition objects.

*[Function]* **make-condition** *type* &rest *slot-initializations*

Constructs a condition object of the given *type* using *slot-initializations* as a specification of the initial value of the slots. The newly created condition is returned.

The *slot-initializations* are alternating keyword/value pairs. For example:

```
(make-condition 'peg/hole-mismatch
  :peg-shape 'square :hole-shape 'round)
```

### 29.4.7 Establishing Restarts

The lowest-level form that creates restart points is called **restart-bind**. The **restart-case** macro is an abstraction that addresses many common needs for **restart-bind** while offering a more palatable syntax. See also **with-simple-restart**. The function that transfers control to a restart point established by one of these macros is called **invoke-restart**.

All restarts have dynamic extent; a restart does not survive execution of the form that establishes it.

```
/Macro/ with-simple-restart (name format-string {format-argument}*)
  {form}*
```

This is shorthand for one of the most common uses of **restart-case**.

If the restart designated by *name* is not invoked while executing the *forms*, all values returned by the last *form* are returned. If that restart is invoked, control is transferred to the **with-simple-restart** form, which immediately returns the two values **nil** and **t**.

The *name* may be **nil**, in which case an anonymous restart is established.

**with-simple-restart** could be defined by

```
(defmacro with-simple-restart ((restart-name format-string
                               &rest format-arguments)
                              &body forms)
  '(restart-case (progn ,@forms)
    (,restart-name ()
     :report
     (lambda (stream)
       (format stream format-string ,@format-arguments))
     (values nil t))))
```

Here is an example of the use of **with-simple-restart**.



```
Lisp> (defun read-eval-print-loop (level)
      (with-simple-restart
        (abort "Exit command level ~D." level)
      (loop
        (with-simple-restart
          (abort "Return to command level ~D." level)
        (let ((form (prog2 (fresh-line)
                          (read)
                          (fresh-line))))
          (prin1 (eval form))))))
      ⇒ READ-EVAL-PRINT-LOOP
Lisp> (read-eval-print-loop 1)
(+ 'a 3)
Error: The argument, A, to the function + was of the wrong type.
      The function expected a number.
To continue, type :CONTINUE followed by an option number:
1: Specify a value to use this time.
2: Return to command level 1.
3: Exit command level 1.
4: Return to Lisp Toplevel.
Debug>
```

---

**Remark:** Some readers may wonder what ought to be done by the “abort” key (or whatever the implementation’s interrupt key is—Control-C or Control-G, for example). Such interrupts, whether synchronous or asynchronous in nature, are beyond the scope of this chapter and indeed are not currently addressed by Common Lisp at all. This may be a topic worth standardizing under separate cover. Here is some speculation about some possible things that might happen.

An implementation might simply call **abort** or **break** directly without signaling any condition.

Another implementation might signal some condition related to the fact that a key had been pressed rather than to the action that should be taken. This is one way to allow user customization. Perhaps there would be an implementation-dependent **keyboard-interrupt** condition type with a slot containing the key that was pressed—or perhaps there would be such a condition type, but rather than its having slots, different subtypes of that type with names like **keyboard-abort**, **keyboard-break**, and so on might be signaled. That implementation would then

document the action it would take if user programs failed to handle the condition, and perhaps ways for user programs to usefully dismiss the interrupt.

---

**Implementation note:** Implementors are encouraged to make sure that there is always a restart named **abort** around any user code so that user code can call **abort** at any time and expect something reasonable to happen; exactly what the reasonable thing is may vary somewhat. Typically, in an interactive program, invoking **abort** should return the user to top level, though in some batch or multi-processing situations killing the running process might be more appropriate.

---

```
/Macro restart-case expression {(case-name arglist
  {keyword value})*
  {form}*)}*

```

The *expression* is evaluated in a dynamic context where the clauses have special meanings as points to which control may be transferred. If the *expression* finishes executing and returns any values, all such values are simply returned by the **restart-case** form. While the *expression* is running, any code may transfer control to one of the clauses (see **invoke-restart**). If a transfer occurs, the *forms* in the body of that clause will be evaluated and any values returned by the last such *form* will be returned by the **restart-case** form.

As a special case, if the *expression* is a list whose *car* is **signal**, **error**, **error**, or **warn**, then **with-condition-restarts** is implicitly used to associate the restarts with the condition to be signaled. For example,

```
(restart-case (signal weird-error)
  (become-confused ...)
  (rewind-line-printer ...)
  (halt-and-catch-fire ...))

```

is equivalent to

```
(restart-case (with-condition-restarts
  weird-error
  (list (find-restart 'become-confused)
        (find-restart 'rewind-line-printer)
        (find-restart 'halt-and-catch-fire))
  (signal weird-error))
  (become-confused ...)
  (rewind-line-printer ...)
  (halt-and-catch-fire ...))

```

If there are no *forms* in a selected clause, **restart-case** returns **nil**.

The *case-name* may be **nil** or a symbol naming this restart.

It is possible to have more than one clause use the same *case-name*. In this case, the first clause with that name will be found by **find-restart**. The other clauses are accessible using **compute-restarts**. [In this respect, **restart-case** is rather different from **case!**—GLS]

Each *arglist* is a normal lambda-list containing parameters to be bound during the execution of its corresponding *forms*. These parameters are used to pass any necessary data from a call to **invoke-restart** to the **restart-case** clause.

By default, **invoke-restart-interactively** will pass no arguments and all parameters must be optional in order to accommodate interactive restarting. However, the parameters need not be optional if the **:interactive** keyword has been used to inform **invoke-restart-interactively** about how to compute a proper argument list.

The valid *keyword value* pairs are the following:

**:test *fn*** The *fn* must be a suitable argument for the **function** special operator. The expression (**function *fn***) will be evaluated in the current lexical environment. It should produce a function of one argument, a condition. If this function returns **nil** when given some condition, functions such as **find-restart**, **compute-restart**, and **invoke-restart** will not consider this restart when searching for restarts associated with that condition. If this pair is not supplied, it is as if

```
(lambda (c) (declare (ignore c)) t)
```

were used for the *fn*.

**:interactive *fn*** The *fn* must be a suitable argument for the **function** special operator. The expression (**function *fn***) will be evaluated in the current lexical environment. It should produce a function of no arguments that returns arguments to be used by **invoke-restart-interactively** when invoking this function. This function will be called in the dynamic environment available prior to any restart attempt. It may interact with the user on the stream in **\*query-io\***.

If a restart is invoked interactively but no **:interactive** option was supplied, the argument list used in the invocation is the empty list.

**:report *exp*** If *exp* is not a literal string, it must be a suitable argument to the **function** special operator. The expression (**function *exp***) will be evaluated in the current lexical environment. It should produce a function of one argument, a stream, that prints on the stream a description of the restart. This function is called whenever the restart is printed while **\*print-escape\*** is **nil**.

If *exp* is a literal string, it is shorthand for

```
(lambda (s) (write-string exp s))
```

[That is, a function is provided that will simply write the given string literally to the stream.—GLS]

If a named restart is asked to report but no report information has been supplied, the name of the restart is used in generating default report text.

When **\*print-escape\*** is **nil**, the printer will use the report information for a restart. For example, a debugger might announce the action of typing “**:continue**” by executing the equivalent of

```
(format *debug-io* "~&~S - ~A~%" ':continue some-restart)
```

which might then display as something like

```
:CONTINUE – Return to command level.
```

It is an error if an unnamed restart is used and no report information is provided.

**Rationale:** Unnamed restarts are required to have report information on the grounds that they are generally only useful interactively, and an interactive option that has no description is of little value.

**Implementation note:** Implementations are encouraged to warn about this error at compilation time.

At run time, this error might be noticed when entering the debugger. Since signaling an error would probably cause recursive entry into the debugger (causing yet another recursive error, and so on), it is suggested that the debugger print some indication of such problems when they occur, but not actually signal errors.

Note that

```
(restart-case expression
  (name1 arglist1 options1 . body1)
  (name2 arglist2 options2 . body2)
  ...)
```

is essentially equivalent to

```
(block #1=#:block-1
  (let ((#2=#:var-2 nil))
    (tagbody
      (restart-bind ((name1 #'(lambda (&rest temp)
                              (setq #2# temp)
                              (go #3=#:tag-3))
                    <slightly transformed options1>))
                (name2 #'(lambda (&rest temp)
                              (setq #2# temp)
                              (go #4=#:tag-4))
                    <slightly transformed options2>))
                ...))
      (return-from #1# expression))
    #3# (return-from #1#
          (apply #'(lambda arglist1 . body1) #2#))
    #4# (return-from #1#
          (apply #'(lambda arglist2 . body2) #2#))
    ...)))
```

[Note the use of “gensyms” such as `#:block-1` as block names, variables, and `tagbody` tags in this example, and the use of `#n=` and `#n#` read-macro syntax to indicate that the very same gensym appears in multiple places.—GLS]

Here are some examples of the use of `restart-case`.

```
(loop
  (restart-case (return (apply function some-args))
    (new-function (new-function)
      :report "Use a different function."
      :interactive
      (lambda ()
        (list (prompt-for 'function "Function: "))))
    (setq function new-function))))
```

```
(loop
  (restart-case (return (apply function some-args))
    (nil (new-function)
      :report "Use a different function."
      :interactive
      (lambda ()
        (list (prompt-for 'function "Function: "))))
    (setq function new-function))))
```

```
(restart-case (a-command-loop)
  (return-from-command-level ()
    :report
      (lambda (s) ;Argument s is a stream
        (format s "Return from command level ~D." level))
    nil))
```

```
(loop
  (restart-case (another-random-computation)
    (continue () nil)))
```

The first and second examples are equivalent from the point of view of someone using the interactive debugger, but they differ in one important aspect for non-interactive handling. If a handler “knows about” named restarts, as in, for example,

```
(when (find-restart 'new-function)
  (invoke-restart 'new-function the-replacement))
```

then only the first example, and not the second, will have control transferred to its correction clause, since only the first example uses a restart named **new-function**.

Here is a more complete example:

```
(let ((my-food 'milk)
      (my-color 'greenish-blue))
  (do ()
    ((not (bad-food-color-p my-food my-color)))
    (restart-case (error 'bad-food-color
                        :food my-food :color my-color)
                  (use-food (new-food)
                            :report "Use another food."
                            (setq my-food new-food))
                  (use-color (new-color)
                              :report "Use another color."
                              (setq my-color new-color))))))
;; We won't get to here until MY-FOOD
;; and MY-COLOR are compatible.
(list my-food my-color))
```

Assuming that **use-food** and **use-color** have been defined as

```
(defun use-food (new-food)
  (invoke-restart 'use-food new-food))

(defun use-color (new-color)
  (invoke-restart 'use-color new-color))
```

a handler can then restart from the error in either of two ways. It may correct the color or correct the food. For example:

```
#'(lambda (c) ... (use-color 'white) ...) ;Corrects color

#'(lambda (c) ... (use-food 'cheese) ...) ;Corrects food
```

Here is an example using **handler-bind** and **restart-case** that refers to a condition type **foo-error**, presumably defined elsewhere:

```
(handler-bind ((foo-error #'(lambda (ignore) (use-value 7))))
  (restart-case (error 'foo-error)
                (use-value (x) (* x x))))
⇒ 49
```

*[Macro]* **restart-bind** ({(name function {keyword value}\*)}\*) {form}\*

Executes a body of forms in a dynamic context where the given restart bindings are in effect.

Each *name* may be **nil** to indicate an anonymous restart, or some other symbol to indicate a named restart.

Each *function* is a form that should evaluate to a function to be used to perform the restart. If invoked, this function may either perform a non-local transfer of control or it may return normally. The function may take whatever arguments the programmer feels are appropriate; it will be invoked only if **invoke-restart** is used from a program, or if a user interactively asks the debugger to invoke it. In the case of interactive invocation, the **:interactive-function** option is used.

The valid *keyword value* pairs are as follows:

**:test-function form** The *form* will be evaluated in the current lexical environment and should return a function of one argument, a condition. If this function returns **nil** when given some condition, functions such as **find-restart**, **compute-restart**, and **invoke-restart** will not consider this restart when searching for restarts associated with that condition. If this pair is not supplied, it is as if

```
#'(lambda (c) (declare (ignore c)) t)
```

were used for the *form*.

**:interactive-function form** The *form* will be evaluated in the current lexical environment and should return a function of no arguments that constructs a list of arguments to be used by **invoke-restart-interactively** when invoking this restart. The function may prompt interactively using **\*query-io\*** if necessary.

**:report-function form** The *form* will be evaluated in the current lexical environment and should return a function of one argument, a stream, that prints on the stream a summary of the action this restart will take. This function is called whenever the restart is printed while **\*print-escape\*** is **nil**.

*[Macro]* **with-condition-restarts** condition-form restarts-form  
{declaration}\* {form}\*

The value of *condition-form* should be a condition *C* and the value of *restarts-form* should be a list of restarts (**R1 R2 ...**). The *forms* of the



body are evaluated as an implicit **progn**. While in the dynamic context of the body, an attempt to find a restart associated with a particular condition  $C'$  will consider the restarts  $R1, R2, \dots$  if  $C'$  is **eq** to  $C$ .

Usually this macro is not used explicitly in code, because **restart-case** handles most of the common uses in a way that is syntactically more concise.

[The X3J13 vote left it unclear whether **with-condition-restarts** permits declarations to appear at the heads of its body. I believe that was the intent, but this is only my interpretation.—GLS]

### 29.4.8 Finding and Manipulating Restarts

The following functions determine what restarts are active and invoke restarts.

*[Function]* **compute-restarts** &optional *condition*

Uses the dynamic state of the program to compute a list of the restarts that are currently active. See **restart-bind**.

If *condition* is **nil** or not supplied, all outstanding restarts are returned. If *condition* is not **nil**, only restarts associated with that condition are returned.

Each restart represents a function that can be called to perform some form of recovery action, usually a transfer of control to an outer point in the running program. Implementations are free to implement these objects in whatever manner is most convenient; the objects need have only dynamic extent (relative to the scope of the binding form that instantiates them).

The list that results from a call to **compute-restarts** is ordered so that the inner (that is, more recently established) restarts are nearer the head of the list.

Note, too, that **compute-restarts** returns all valid restarts, including anonymous ones, even if some of them have the same name as others and would therefore not be found by **find-restart** when given a symbol argument.

Implementations are permitted, but not required, to return different (that is, non-**eq**) lists from repeated calls to **compute-restarts** while in the same dynamic environment. It is an error to modify the list that is returned by **compute-restarts**.

*[Function]* **restart-name** *restart*

Returns the name of the given *restart*, or **nil** if it is not named.

*[Function]* **find-restart** *restart-identifier* &optional *condition*

Searches for a particular restart in the current dynamic environment.

If *condition* is **nil** or not supplied, all outstanding restarts are considered. If *condition* is not **nil**, only restarts associated with that condition are considered.

If the *restart-identifier* is a non-**nil** symbol, then the innermost (that is, most recently established) restart with that name is returned; **nil** is returned if no such restart is found.

If *restart-identifier* is a restart object, then it is simply returned, unless it is not currently active, in which case **nil** is returned.

Although anonymous restarts have a name of **nil**, it is an error for the symbol **nil** to be given as the *restart-identifier*. Applications that would seem to require this should be rewritten to make appropriate use of **compute-restarts** instead.

*[Function]* **invoke-restart** *restart-identifier* &rest *arguments*

Calls the function associated with the given *restart-identifier*, passing any given *arguments*. The *restart-identifier* must be a restart or the non-null name of a restart that is valid in the current dynamic context. If the argument is not valid, an error of type **control-error** will be signaled.

---

**Implementation note:** Restart functions call this function, not vice versa.

---

*[Function]* **invoke-restart-interactively** *restart-identifier*

Calls the function associated with the given *restart-identifier*, prompting for any necessary arguments. The *restart-identifier* must be a restart or the non-null name of a restart that is valid in the current dynamic context. If the argument is not valid, an error of type **control-error** will be signaled.

The function **invoke-restart-interactively** will prompt for arguments by executing the code provided in the **:interactive** keyword to **restart-case** or **:interactive-function** keyword to **restart-bind**.

If no **:interactive** or **:interactive-function** option has been supplied in the corresponding **restart-case** or **restart-bind**, then it is an error if the restart takes required arguments. If the arguments are optional, an empty argument list will be used in this case.

Once **invoke-restart-interactively** has calculated the arguments, it simply performs (**apply #'invoke-restart restart-identifier arguments**).

**invoke-restart-interactively** is used internally by the debugger and may also be useful in implementing other portable, interactive debugging tools.

### 29.4.9 Warnings

Warnings are a subclass of errors that are conventionally regarded as “mild.”

[Function] **warn datum &rest arguments**

Warns about a situation, by signaling a condition of type **warning**.

If *datum* is a condition, then that condition is used directly. In this case, if the condition is not of type **warning** or arguments is non-**nil**, an error of type **type-error** is signaled.

If *datum* is a condition type (a class or class name), then the condition used is effectively the result of (**apply #'make-condition datum arguments**). This result must be of type **warning** or an error of type **type-error** is signaled.

If *datum* is a string, then the condition used is effectively the result of

```
(make-condition 'simple-error
  :format-string datum
  :format-arguments arguments)
```

The precise mechanism for warning is as follows.

1. The warning condition is signaled.

While the **warning** condition is being signaled, the **muffle-warning** restart is established for use by a handler to bypass further action by **warn** (that is, to cause **warn** to immediately return **nil**).

As part of the signaling process, if (**typep condition \*break-on-signals\***) is true, then a **break** will occur prior to beginning the signaling process.

2. If no handlers for the warning condition are found, or if all such handlers decline, then the condition will be reported to **\*error-output\*** by

the **warn** function (with possible implementation-specific extra output such as motion to a fresh line before or after the display of the warning, or supplying some introductory text mentioning the name of the function that called **warn** or the fact that this is a warning).

3. The value returned by **warn** (if it returns) is **nil**.

### 29.4.10 Restart Functions

Common Lisp has the following restart functions built in.

*[Function]* **abort** &optional *condition*

This function transfers control to the restart named **abort**. If no such restart exists, **abort** signals an error of type **control-error**.

If *condition* is **nil** or not supplied, all outstanding restarts are considered. If *condition* is not **nil**, only restarts associated with that condition are considered.

The purpose of the **abort** restart is generally to allow control to return to the innermost “command level.”

*[Function]* **continue** &optional *condition*

This function transfers control to the restart named **continue**. If no such restart exists, **continue** returns **nil**.

If *condition* is **nil** or not supplied, all outstanding restarts are considered. If *condition* is not **nil**, only restarts associated with that condition are considered.

The **continue** restart is generally part of simple protocols where there is a single “obvious” way to continue, as with **break** and **error**. Some user-defined protocols may also wish to incorporate it for similar reasons. In general, however, it is more reliable to design a special-purpose restart with a name that better suits the particular application.

*[Function]* **muffle-warning** &optional *condition*

This function transfers control to the restart named **muffle-warning**. If no such restart exists, **muffle-warning** signals an error of type **control-error**.

If *condition* is **nil** or not supplied, all outstanding restarts are considered. If *condition* is not **nil**, only restarts associated with that condition are considered.

**warn** sets up this restart so that handlers of **warning** conditions have a way to tell **warn** that a **warning** has already been dealt with and that no further action is warranted.

*[Function]* **store-value** *value* &optional *condition*

This function transfers control (and one value) to the restart named **store-value**. If no such restart exists, **store-value** returns **nil**.

If *condition* is **nil** or not supplied, all outstanding restarts are considered. If *condition* is not **nil**, only restarts associated with that condition are considered.

The **store-value** restart is generally used by handlers trying to recover from errors of types such as **cell-error** or **type-error**, where the handler may wish to supply a replacement datum to be stored permanently.

*[Function]* **use-value** *value* &optional *condition*

This function transfers control (and one value) to the restart named **use-value**. If no such restart exists, **use-value** returns **nil**.

If *condition* is **nil** or not supplied, all outstanding restarts are considered. If *condition* is not **nil**, only restarts associated with that condition are considered.

The **use-value** restart is generally used by handlers trying to recover from errors of types such as **cell-error**, where the handler may wish to supply a replacement datum for one-time use.

### 29.4.11 Debugging Utilities

Common Lisp does not specify exactly what a debugger is or does, but it does provide certain means for indicating intent to transfer control to a supervisory or debugging facility.

[Function] **break** &optional *format-string* &rest *format-arguments*

The function **break** prints the message described by the *format-string* and *format-arguments* and then goes directly into the debugger without allowing any possibility of interception by programmed error-handling facilities.

If no *format-string* is supplied, a suitable default will be generated.

If continued, **break** returns **nil**.

Note that **break** is presumed to be used as a way of inserting temporary debugging “breakpoints” in a program, not as a way of signaling errors; it is expected that continuing from a **break** will not trigger any unusual recovery action. For this reason, **break** does not take the additional format control string that **error** takes as its first argument. This and the lack of any possibility of interception by programmed error handling are the only program-visible differences between **break** and **error**. The user interface aspects of these functions are permitted to vary more widely; for example, it is permissible for a read-eval-print loop to be entered by **break** rather than by the conventional debugger.

**break** could be defined by

```
(defun break (&optional (format-string "Break")
             &rest format-arguments)
  (with-simple-restart (continue "Return from BREAK.")
    (invoke-debugger
      (make-condition 'simple-condition
                     :format-string format-string
                     :format-arguments format-arguments))))
nil)
```

[Function] **invoke-debugger** *condition*

Attempts interactive handling of its argument, which must be a condition.

If the variable **\*debugger-hook\*** is not **nil**, it will be called as a function on two arguments: the *condition* being handled and the value of **\*debugger-hook\***. If a hook function returns normally, the standard debugger will be tried.

The standard debugger will never directly return. Return can occur only by a special transfer of control, such as the use of a restart.

---

**Remark:** The exact way in which the debugger interacts with users is expected to vary considerably from system to system. For example, some systems may use a keyboard interface, while others may use a mouse interface. Of those systems using keyboard commands, some may use single-character commands and others may use parsed line-at-a-time commands. The exact set of commands will vary as well. The important properties of a debugger are that it makes information about the error accessible and that it makes the set of apparent restarts easily accessible.

It is desirable to have a mode where the debugger allows other features, such as the ability to inspect data, stacks, etc. However, it may sometimes be appropriate to have this kind of information hidden from users. Experience on the Lisp Machines has shown that some users who are not programmers develop a terrible phobia of debuggers. The reason for this usually may be traced to the fact that the debugger is very foreign to them and provides an overwhelming amount of information of interest only to programmers. With the advent of restarts, there is a clear mechanism for the construction of “friendly” debuggers. Programmers can be taught how to get to the information they need for debugging, but it should be possible to construct user interfaces to the debugger that are natural, convenient, intelligible, and friendly even to non-programmers.

---

*[Variable]* **\*debugger-hook\***

This variable should hold either **nil** or a function of two arguments, a condition and the value of **\*debugger-hook\***. This function may either handle the condition (transfer control) or return normally (allowing the standard debugger to run).

Note that, to minimize recursive errors while debugging, **\*debugger-hook\*** is bound to **nil** when calling this function. When evaluating code typed in by the user interactively, the hook function may want to bind **\*debugger-hook\*** to the function that was its second argument so that recursive errors can be handled using the same interactive facility.

## 29.5 Predefined Condition Types

[The proposal for the Common Lisp Condition System introduced a new notation for documenting types, treating them in the same syntactic manner as functions and variables. This notation is used in this section but is not reflected throughout the entire book.—GLS]

X3J13 voted in March 1989 to integrate the Condition System and the Object System.

All condition types are CLOS classes and all condition objects are ordinary CLOS objects.

*[Type]* **restart**

This is the data type used to represent a restart.

The Common Lisp condition type hierarchy is illustrated in table 29.1.

The types that are not leaves in the hierarchy (that is, **condition**, **warning**, **storage-condition**, **error**, **arithmetic-error**, **control-error**, and so on) are provided primarily for type inclusion purposes. Normally they would not be directly instantiated.

Implementations are permitted to support non-portable synonyms for these types, as well as to introduce other types that are above, below, or between the types shown in this tree as long as the indicated subtype relationships are not violated.

The types **simple-condition**, **serious-condition**, and **warning** are pairwise disjoint. The type **error** is also disjoint from types **simple-condition** and **warning**.

*[Type]* **condition**

All types of conditions, whether error or non-error, must inherit from this type.

*[Type]* **warning**

All types of warnings should inherit from this type. This is a subtype of **condition**.

*[Type]* **serious-condition**

All serious conditions (conditions serious enough to require interactive intervention if not handled) should inherit from this type. This is a subtype of **condition**.

This condition type is provided primarily for terminological convenience. In fact, signaling a condition that inherits from **serious-condition** does not force entry into the debugger. Rather, it is conventional to use **error** (or



something built on **error**) to signal conditions that are of this type, and to use **signal** to signal conditions that are not of this type.

*[Type]* **error**

All types of error conditions inherit from this condition. This is a subtype of **serious-condition**.

The default condition type for **signal** and **warn** is **simple-condition**. The default condition type for **error** and **cerror** is **simple-error**.

*[Type]* **simple-condition**

Conditions signaled by **signal** when given a format string as a first argument are of this type. This is a subtype of **condition**. The initialization keywords **:format-string** and **:format-arguments** are supported to initialize the slots, which can be accessed using **simple-condition-format-control** and **simple-condition-format-arguments**. If **:format-arguments** is not supplied to **make-condition**, the *format-arguments* slot defaults to **nil**.

*[Type]* **simple-warning**

Conditions signaled by **warn** when given a format string as a first argument are of this type. This is a subtype of **warning**. The initialization keywords **:format-string** and **:format-arguments** are supported to initialize the slots, which can be accessed using **simple-condition-format-control** and **simple-condition-format-arguments**. If **:format-arguments** is not supplied to **make-condition**, the *format-arguments* slot defaults to **nil**.

In implementations supporting multiple inheritance, this type will also be a subtype of **simple-condition**.

*[Type]* **simple-error**

Conditions signaled by **error** and **cerror** when given a format string as a first argument are of this type. This is a subtype of **error**. The initialization keywords **:format-string** and **:format-arguments** are supported to initialize the slots, which can be accessed using **simple-condition-format-control** and **simple-condition-format-arguments**. If **:format-arguments** is not supplied to **make-condition**, the *format-arguments* slot defaults to **nil**.

In implementations supporting multiple inheritance, this type will also be a subtype of **simple-condition**.

*[Function]* **simple-condition-format-control** *condition*

Accesses the format-string slot of a given *condition*, which must be of type **simple-condition**, **simple-warning**, **simple-error**, or **simple-type-error**.

*[Function]* **simple-condition-format-arguments** *condition*

Accesses the format-arguments slot of a given *condition*, which must be of type **simple-condition**, **simple-warning**, **simple-error**, or **simple-type-error**.

*[Type]* **storage-condition**

Conditions that relate to storage overflow should inherit from this type. This is a subtype of **serious-condition**.

*[Type]* **type-error**

Errors in the transfer of data in a program should inherit from this type. This is a subtype of **error**. For example, conditions to be signaled by **check-type** should inherit from this type. The initialization keywords **:datum** and **:expected-type** are supported to initialize the slots, which can be accessed using **type-error-datum** and **type-error-expected-type**.

*[Function]* **type-error-datum** *condition*

Accesses the datum slot of a given *condition*, which must be of type **type-error**.

*[Function]* **type-error-expected-type** *condition*

Accesses the expected-type slot of a given *condition*, which must be of type **type-error**. Users of **type-error** conditions are expected to fill this slot with an object that is a valid Common Lisp type specifier.

*[Type]* **simple-type-error**

Conditions signaled by facilities similar to **check-type** may want to use this type. The initialization keywords **:format-string** and **:format-arguments** are supported to initialize the slots, which can be accessed using **simple-condition-format-control** and **simple-condition-format-arguments**. If **:format-arguments** is not supplied to **make-condition**, the format-arguments slot defaults to **nil**.

In implementations supporting multiple inheritance, this type will also be a subtype of **simple-condition**.

*[Type]* **program-error**

Errors relating to incorrect program syntax that are statically detectable should inherit from this type (regardless of whether they are in fact statically detected). This is a subtype of **error**. This is *not* a subtype of **control-error**.

*[Type]* **control-error**

Errors in the dynamic transfer of control in a program should inherit from this type. This is a subtype of **error**. This is *not* a subtype of **program-error**.

The errors that result from giving **throw** a tag that is not active or from giving **go** or **return-from** a tag that is no longer dynamically available are control errors.

On the other hand, the errors that result from naming a **go** tag or **return-from** tag that is not lexically apparent are not control errors. They are program errors. See **program-error**.

*[Type]* **package-error**

Errors that occur during operations on packages should inherit from this type. This is a subtype of **error**. The initialization keyword **:package** is supported to initialize the slot, which can be accessed using **package-error-package**.

*[Function]* **package-error-package** *condition*

Accesses the package (or package name) that was being modified or manipulated in a *condition* of type **package-error**.

*[Type]* **stream-error**

Errors that occur during input from, output to, or closing a stream should inherit from this type. This is a subtype of **error**. The initialization keyword **:stream** is supported to initialize the slot, which can be accessed using **stream-error-stream**.

*[Function]* **stream-error-stream** *condition*

Accesses the offending stream of a *condition* of type **stream-error**.

*[Type]* **end-of-file**

The error that results when a read operation is done on a stream that has no more tokens or characters should inherit from this type. This is a subtype of **stream-error**.

*[Type]* **file-error**

Errors that occur during an attempt to open a file, or during some low-level transaction with a file system, should inherit from this type. This is a subtype of **error**. The initialization keyword **:pathname** is supported to initialize the slot, which can be accessed using **file-error-pathname**.

*[Function]* **file-error-pathname** *condition*

Accesses the offending pathname of a *condition* of type **file-error**.

*[Type]* **cell-error**

Errors that occur while accessing a location should inherit from this type. This is a subtype of **error**. The initialization keyword **:name** is supported to initialize the slot, which can be accessed using **cell-error-name**.

*[Function]* **cell-error-name** *condition*

Accesses the offending cell name of a *condition* of type **cell-error**.

*[Type]* **unbound-variable**

The error that results from trying to access the value of an unbound variable should inherit from this type. This is a subtype of **cell-error**.

*[Type]* **undefined-function**

The error that results from trying to access the value of an undefined function should inherit from this type. This is a subtype of **cell-error**.

*[Type]* **arithmetic-error**

Errors that occur while doing arithmetic type operations should inherit from this type. This is a subtype of **error**. The initialization keywords **:operation** and **:operands** are supported to initialize the slots, which can be accessed using **arithmetic-error-operation** and **arithmetic-error-operands**.

*[Function]* **arithmetic-error-operation** *condition*

Accesses the offending operation of a condition of type **arithmetic-error**.

*[Function]* **arithmetic-error-operands** *condition*

Accesses a list of the offending operands in a condition of type **arithmetic-error**.

*[Type]* **division-by-zero**

Errors that occur because of division by zero should inherit from this type. This is a subtype of **arithmetic-error**.

*[Type]* **floating-point-overflow**

Errors that occur because of floating-point overflow should inherit from this type. This is a subtype of **arithmetic-error**.

*[Type]* **floating-point-underflow**

Errors that occur because of floating-point underflow should inherit from this type. This is a subtype of **arithmetic-error**.

Table 29.1: Condition Type Hierarchy

```
condition
  simple-condition
  serious-condition
    error
      simple-error
      arithmetic-error
        division-by-zero
        floating-point-overflow
        floating-point-underflow
      ...
      cell-error
        unbound-variable
        undefined-function
      ...
      control-error
      file-error
      package-error
      program-error
      stream-error
        end-of-file
      ...
      type-error
        simple-type-error
      ...
    ...
  storage-condition
  ...
warning
  simple-warning
  ...
...
```





# Chapter 30

## Metaobject Protocol

Book: Art Of Metaobject Protocol

Chapters 5,6

Authors: Gregor Kiczales, Jim des Rivieres, and Daniel G. Bobrow

<http://www.alu.org/mop/index.html>

### 30.1 Concepts

#### 30.1.1 Introduction

#### 30.1.2 Введение

The CLOS Specification 28 describes the standard Programmer Interface for the Common Lisp Object System (CLOS). This document extends that specification by defining a metaobject protocol for CLOS—that is, a description of CLOS itself as an extensible CLOS program. In this description, the fundamental elements of CLOS programs (classes, slot definitions, generic functions, methods, specializers and method combinations) are represented by first-class objects. The behavior of CLOS is provided by these objects, or, more precisely, by methods specialized to the classes of these objects.

Because these objects represent pieces of CLOS programs, and because their behavior provides the behavior of the CLOS language itself, they are considered meta-level objects or metaobjects. The protocol followed by the metaobjects to provide the behavior of CLOS is called the CLOS Metaobject Protocol (MOP).

CLOS спецификация 28 описывает API для Common Lisp'овой объектной системы. Данная глава дополняет эту спецификацию описанием метаобъектного протокола для CLOS — то. В этом описании, базовые элементы CLOS'а (классы, определения слотов, обобщённые функции, методы, специализаторы и комбинации методов) представлены в качестве представлены как объекты первого класса. Поведение CLOS'а регулируется этими объектами, или, если быть точнее, методами, специализированным для объектов этих классов.

Так как эти объекты представляют части CLOS программы, и так как их поведение задаёт поведение языка CLOS, они рассматриваются как объекты метауровня или метаобъекты. Протокол определения методов для метаобъектов называется Метаобъектным Протоколом CLOS (на английском MOP).

## Metaobjects

### Метаобъекты

For each kind of program element there is a corresponding basic metaobject class. These are the classes: **class**, **slot-definition**, **generic-function**, **method** and **method-combination**. A metaobject class is a subclass of exactly one of these classes. The results are undefined if an attempt is made to define a class that is a subclass of more than one basic metaobject class. A metaobject is an instance of a metaobject class.

Для каждого элемента CLOS программы существует соответствующий базовый метаобъектный класс. Все классы: **class**, **slot-definition**, **generic-function**, **method** и **method-combination**. Метаобъектный класс является подклассом только одного из вышеперечисленных. При попытке определить класс, которые наследует более одного базового метакласса поведение непредсказуемо. Метаобъект является экземпляром метакласса.

Each metaobject represents one program element. Associated with each metaobject is the information required to serve its role. This includes information that might be provided directly in a user interface macro such as **defclass** or **defmethod**. It also includes information computed indirectly from other metaobjects such as that computed from class inheritance or the full set of methods associated with a generic function.

Каждый метаобъект представляет один элемент CLOS программы.

С каждым метаобъектом связана информация, которая необходима для выполнения им своей роли. Она включает информацию, которая может быть предоставлена напрямую в пользовательский макрос, такой, например, как **defclass** или **defmethod**. Она также включает информацию, вычисляемую ненапрямую от других метаобъектов, так, например, вычисление информации из иерархии классов или полного множества методов связанных с обобщённой функцией.

Much of the information associated with a metaobject is in the form of connections to other metaobjects. This interconnection means that the role of a metaobject is always based on that of other metaobjects. As an introduction to this interconnected structure, this section presents a partial enumeration of the kinds of information associated with each kind of metaobject. More detailed information is presented later.

Много информации связанной с метаобъектом находится в виде виде связи с другими метаобъектами. Такая взаимосвязь означает, что роль метаобъекта всегда основана на других метаобъектах. В качестве введения структуру данных взаимосвязей, данный раздел предоставляет частичное перечисление типов информации связанной с каждым типов метаобъектов. Более подробная информация будет предоставлена позже.

## Classes

### Классы

A *class metaobject* determines the structure and the default behavior of its instances. The following information is associated with class metaobjects:

*Классовые метаобъекты* определяют структуру и поведение по умолчанию для их экземпляров. С классовыми метаобъектами связана следующая информация:

- The name, if there is one, is available as an object.
- Имя, если оно существует, доступно как объект.
- The direct subclasses, direct superclasses and class precedence list are available as lists of class metaobjects.

- Прямые подклассы, прямые суперклассы и список предшествования классов доступны как списки классовых метаобъектов.
- The slots defined directly in the class are available as a list of direct slot definition metaobjects. The slots which are accessible in instances of the class are available as a list of effective slot definition metaobjects.
- Слоты прямо определённые в классе доступны как список прямых слотовых метаобъектов. Слоты, которые доступны в экземплярах класса доступны как список действительных слотовых метаобъектов. FIXME
- The documentation is available as a string or **nil**.
- Документация доступна как строка или **nil**.
- The methods which use the class as a specializer, and the generic functions associated with those methods are available as lists of method and generic function metaobjects respectively.
- Методы, которые используют класс в качестве специализатора, и обобщённые функции, связанные с этими методами, доступны как списки методových или функциональных метаобъектов соответственно.

## Slot Definitions

### Определения слотов

A *slot definition metaobject* contains information about the definition of a slot. There are two kinds of slot definition metaobjects. A direct slot definition metaobject is used to represent the direct definition of a slot in a class. This corresponds roughly to the slot specifiers found in **defclass** forms. An effective slot definition metaobject is used to represent information, including inherited information, about a slot which is accessible in instances of a particular class.

*Слотовый метаобъект* содержит информацию об определении слота. Существуют два вида этих метаобъектов. Прямой слотовый метаобъект используется для представления определённых слотов

напрямую в классе. Он приблизительно отвечает за спецификаторы слотов, указанные в формах **defclass**. Метаобъект действующего слота отображает информацию, которая включает информацию об унаследованных свойствах слота, о слотах, которые доступны в экземплярах отдельно взятого класса.

Associated with each class metaobject is a list of direct slot definition metaobjects representing the slots defined directly in the class. Also associated with each class metaobject is a list of effective slot definition metaobjects representing the set of slots accessible in instances of that class.

The following information is associated with both direct and effective slot definitions metaobjects:

- The name, allocation, and type are available as forms that could appear in a **defclass** form.
- The initialization form, if there is one, is available as a form that could appear in a **defclass** form. The initialization form together with its lexical environment is available as a function of no arguments which, when called, returns the result of evaluating the initialization form in its lexical environment. This is called the *initfunction* of the slot.
- The slot filling initialization arguments are available as a list of symbols.
- The documentation is available as a string or **nil**.

Certain other information is only associated with direct slot definition metaobjects. This information applies only to the direct definition of the slot in the class (it is not inherited).

- The function names of those generic functions for which there are automatically generated reader and writer methods. This information is available as lists of function names. Any accessors specified in the **defclass** form are broken down into their equivalent readers and writers in the direct slot definition.

Information, including inherited information, which applies to the definition of a slot in a particular class in which it is accessible is associated only with effective slot definition metaobjects.

- For certain slots, the location of the slot in instances of the class is available.

## Generic Functions

A *generic function metaobject* contains information about a generic function over and above the information associated with each of the generic function's methods.

- The name is available as a function name.
- The methods associated with the generic function are available as a list of method metaobjects.
- The default class for this generic function's method metaobjects is available as a class metaobject.
- The lambda list is available as a list.
- The method combination is available as a method combination metaobject.
- The documentation is available as a string or **nil**.
- The argument precedence order is available as a permutation of those symbols from the lambda list which name the required arguments of the generic function.
- The declarations are available as a list of declarations.

**Terminology Note:** There is some ambiguity in Common Lisp about the terms used to identify the various parts of **declare** special operators. In this document, the term *declaration* is used to refer to an object that could be an argument to a **declare** special operator. For example, in the special form (**declare (special \*g1\*)**), the list (**special \*g1\***) is a declaration.

## Methods

A *method metaobject* contains information about a specific method.

- The qualifiers are available as a list of non-null atoms.
- The lambda list is available as a list.
- The specializers are available as a list of specializer metaobjects.

- The function is available as a function. This function can be applied to arguments and a list of next methods using *apply* or *funcall*.
- When the method is associated with a generic function, that generic function metaobject is available. A method can be associated with at most one generic function at a time.
- The documentation is available as a string or **nil**.

### Specializers

A *specializer metaobject* represents the specializers of a method. Class metaobjects are themselves specializer metaobjects. A special kind of specializer metaobject is used for *eql* specializers.

### Method Combinations

A *method combination metaobject* represents the information about the method combination being used by a generic function.

**Note:** This document does not specify the structure of method combination metaobjects.

## 30.1.3 Inheritance Structure of Metaobject Classes

The inheritance structure of the specified metaobject classes is shown in the table 30.1.

The classes **standard-class**, **standard-direct-slot-definition**, **standard-effective-slot-definition**, **standard-method**, **standard-reader-method**, **standard-writer-method** and **standard-generic-function** are called *standard metaobject classes*. For each kind of metaobject, this is the class the user interface macros presented in the CLOS Specification use by default. These are also the classes on which user specializations are normally based.

The classes **built-in-class**, **funcallable-standard-class** and **forward-referenced-class** are special-purpose class metaobject classes. Built-in classes are instances of the class **built-in-class**. The class **funcallable-standard-class** provides a special kind of instances described in the section 30.1.5. When the definition of a class references another class which has

not yet been defined, an instance of **forward-referenced-class** is used as a stand-in until the class is actually defined.

The class **standard-object** is the *default direct superclass* of the class **standard-class**. When an instance of the class **standard-class** is created, and no direct superclasses are explicitly specified, it defaults to the class **standard-object**. In this way, any behavior associated with the class **standard-object** will be inherited, directly or indirectly, by all instances of the class **standard-class**. A subclass of **standard-class** may have a different class as its default direct superclass, but that class must be a subclass of the class **standard-object**.

The same is true for **funcallable-standard-class** and **funcallable-standard-object**.

The class **specializer** captures only the most basic behavior of method specializers, and is not itself intended to be instantiated. The class **class** is a direct subclass of **specializer** reflecting the property that classes by themselves can be used as method specializers. The class **eql-specializer** is used for **eql** specializers.

## Implementation and User Specialization

The purpose of the Metaobject Protocol is to provide users with a powerful mechanism for extending and customizing the basic behavior of the Common Lisp Object System. As an object-oriented description of the basic CLOS behavior, the Metaobject Protocol makes it possible to create these extensions by defining specialized subclasses of existing metaobject classes.

The Metaobject Protocol provides this capability without interfering with the implementor's ability to develop high-performance implementations. This balance between user extensibility and implementor freedom is mediated by placing explicit restrictions on each. Some of these restrictions are general—they apply to the entire class graph and the applicability of all methods. These are presented in this section.

The following additional terminology is used to present these restrictions:

- Metaobjects are divided into three categories. Those defined in this document are called *specified*; those defined by an implementation but not mentioned in this document are called *implementation-specific*; and those defined by a portable program are called *portable*.



- A class  $I$  is *interposed* between two other classes  $C_1$  and  $C_2$  if and only if there is some path, following direct superclasses, from the class  $C_1$  to the class  $C_2$  which includes  $I$ .
- A method is *specialized* to a class if and only if that class is in the list of specializers associated with the method; and the method is in the list of methods associated with some generic function.
- In a given implementation, a specified method is said to have been promoted if and only if the specializers of the method,  $S_1 \dots S_n$ , are defined in this specification as the classes  $C_1 \dots C_n$ , but in the implementation, one or more of the specializers  $S_i$ , is a superclass of the class given in the specification  $C_i$ .
- For a given generic function and set of arguments, a method  $M_2$  extends a method  $M_1$  if and only if:
  - (i)  $M_1$  and  $M_2$  are both associated with the given generic function,
  - (ii)  $M_1$  and  $M_2$  are both applicable to the given arguments,
  - (iii) the specializers and qualifiers of the methods are such that when the generic function is called,  $M_2$  is executed before  $M_1$ ,
  - (iv)  $M_1$  will be executed if and only if **call-next-method** is invoked from within the body of  $M_2$  and
  - (v) **call-next-method** is invoked from within the body of  $M_2$ , thereby causing  $M_1$  to be executed.
- For a given generic function and set of arguments, a method  $M_2$  overrides a method  $M_1$  if and only if conditions i through iv above hold and
  - (v') **call-next-method** is not invoked from within the body of  $M_2$ , thereby preventing  $M_1$  from being executed.

### Restrictions on Implementations

Implementations are allowed latitude to modify the structure of specified classes and methods. This includes: the interposition of implementation-specific classes; the promotion of specified methods; and the consolidation of

two or more specified methods into a single method specialized to interposed classes.

Any such modifications are permitted only so long as for any portable class  $C_p$  that is a subclass of one or more specified classes  $C_0 \dots C_i$ , the following conditions are met:

- In the actual class precedence list of  $C_p$ , the classes  $C_0 \dots C_i$  must appear in the same order as they would have if no implementation-specific modifications had been made.
- The method applicability of any specified generic function must be the same in terms of behavior as it would have been had no implementation-specific changes been made. This includes specified generic functions that have had portable methods added. In this context, the expression “the same in terms of behavior” means that methods with the same behavior as those specified are applicable, and in the same order.
- No portable class  $C_p$  may inherit, by virtue of being a direct or indirect subclass of a specified class, any slot for which the name is a symbol accessible in the **common-lisp-user** package or exported by any package defined in the ANSI Common Lisp standard.
- Implementations are free to define implementation-specific before- and after-methods on specified generic functions. Implementations are also free to define implementation-specific around-methods with extending behavior.

### Restrictions on Portable Programs

Portable programs are allowed to define subclasses of specified classes, and are permitted to define methods on specified generic functions, with the following restrictions. The results are undefined if any of these restrictions is violated.

- Portable programs must not redefine any specified classes, generic functions, methods or method combinations. Any method defined by a portable program on a specified generic function must have at least one specializer that is neither a specified class nor an **eql** specializer whose associated value is an instance of a specified class.

- Portable programs may define methods that extend specified methods unless the description of the specified method explicitly prohibits this. Unless there is a specific statement to the contrary, these extending methods must return whatever value was returned by the call to **call-next-method**.
- Portable programs may define methods that override specified methods only when the description of the specified method explicitly allows this. Typically, when a method is allowed to be overridden, a small number of related methods will need to be overridden as well.
- An example of this is the specified methods on the generic functions **add-dependent**, **remove-dependent** and **map-dependents**. Overriding a specified method on one of these generic functions requires that the corresponding method on the other two generic functions be overridden as well.
- Portable methods on specified generic functions specialized to portable metaobject classes must be defined before any instances of those classes (or any subclasses) are created, either directly or indirectly by a call to **make-instance**. Methods can be defined after instances are created by **allocate-instance** however. Portable metaobject classes cannot be redefined.

**Implementation Note:** The purpose of this last restriction is to permit implementations to provide performance optimizations by analyzing, at the time the first instance of a metaobject class is initialized, what portable methods will be applicable to it. This can make it possible to optimize calls to those specified generic functions which would have no applicable portable methods.

**Note:** The specification technology used in this document needs further development. The concepts of object-oriented protocols and subclass specialization are intuitively familiar to programmers of object-oriented systems; the protocols presented here fit quite naturally into this framework. Nonetheless, in preparing this document, we have found it difficult to give specification-quality descriptions of the protocols in a way that makes it clear what extensions users can and cannot write. Object-oriented protocol specification is inherently about specifying leeway, and this seems difficult using current technology.

### 30.1.4 Processing of the User Interface Macros

A list in which the first element is one of the symbols **defclass**, **defmethod**, **defgeneric**, or **define-method-combination**, and which has proper syntax for that macro is called a *user interface macro form*. This document provides an extended specification of the **defclass**, **defmethod** and **defgeneric** macros.

The user interface macros **defclass**, **defgeneric** and **defmethod** can be used not only to define metaobjects that are instances of the corresponding standard metaobject class, but also to define metaobjects that are instances of appropriate portable metaobject classes. To make it possible for portable metaobject classes to properly process the information appearing in the macro form, this document provides a limited specification of the processing of these macro forms.

User interface macro forms can be *evaluated* or *compiled* and later *executed*. The effect of evaluating or executing a user interface macro form is specified in terms of calls to specified functions and generic functions which provide the actual behavior of the macro. The arguments received by these functions and generic functions are derived in a specified way from the macro form.

Converting a user interface macro form into the arguments to the appropriate functions and generic functions has two major aspects: the conversion of the macro argument syntax into a form more suitable for later processing, and the processing of macro arguments which are forms to be evaluated (including method bodies).

In the syntax of the **defclass** macro, the *initform* and *default-initarg-initial-value-form* arguments are forms which will be evaluated one or more times after the macro form is evaluated or executed. Special processing must be done on these arguments to ensure that the lexical scope of the forms is captured properly. This is done by building a function of zero arguments which, when called, returns the result of evaluating the form in the proper lexical environment.

In the syntax of the **defmethod** macro the *form\** argument is a list of forms that comprise the body of the method definition. This list of forms must be processed specially to capture the lexical scope of the macro form. In addition, the lexical functions available only in the body of methods must be introduced. To allow this and any other special processing (such as slot access optimization), a specializable protocol is used for processing the body

of methods. This is discussed in the section 30.1.4.

### Compile-file Processing of the User Interface Macros

It is common practice for Common Lisp compilers, while processing a file or set of files, to maintain information about the definitions that have been compiled so far. Among other things, this makes it possible to ensure that a global macro definition (**defmacro** form) which appears in a file will affect uses of the macro later in that file. This information about the state of the compilation is called the *compile-file environment*.

When compiling files containing CLOS definitions, it is useful to maintain certain additional information in the compile-file environment. This can make it possible to issue various kinds of warnings (e.g., lambda list congruence) and to do various performance optimizations that would not otherwise be possible.

At this time, there is such significant variance in the way existing Common Lisp implementations handle compile-file environments that it would be premature to specify this mechanism. Consequently, this document specifies only the behavior of evaluating or executing user interface macro forms. What functions and generic functions are called during compile-file processing of a user interface macro form is not specified. Implementations are free to define and document their own behavior. Users may need to check implementation-specific behavior before attempting to compile certain portable programs.

### The **defclass** Macro

A **defclass** form with standard slot and class options and an expansion of it that would result in the proper call to **ensure-class**.

```
(defclass plane (moving-object graphics-object)
  ((altitude :initform 0 :accessor plane-altitude)
   (speed))
  (:default-initargs :engine *jet*))
```

```
(ensure-class
  'plane
  :direct-superclasses
  '(moving-object graphics-object)
  :direct-slots (list (list 'name 'altitude
                          'initform '0
                          'initfunction #'(lambda () 0)
                          'readers '(plane-altitude)
                          'writers '((setf plane-altitude)))
                    (list 'name 'speed))
  :direct-default-initargs (list (list 'engine '*jet*
                                       #'(lambda () *jet*))))
```

A **defclass** form with non-standard class and slot options, and an expansion of it which results in the proper call to **ensure-class**.

Note that the order of the slot options has not affected the order of the properties in the canonicalized slot specification, but has affected the order of the elements in the lists which are the values of those properties.

```
(defclass sst (plane)
  ((mach mag-step 2
    locator sst-mach
    locator mach-location
    :reader mach-speed
    :reader mach))
  (:metaclass faster-class)
  (another-option foo bar))

(ensure-class 'sst
  :direct-superclasses
  '(plane)
  :direct-slots (list (list 'name 'mach
                          'readers '(mach-speed mach)
                          'mag-step '2
                          'locator '(sst-mach mach-location)))
  :metaclass 'faster-class
  'another-option '(foo bar))
```

The evaluation or execution of a **defclass** form results in a call to the **ensure-class** function. The arguments received by **ensure-class** are derived from the **defclass** form in a defined way. The exact macro-expansion of the **defclass** form is not defined, only the relationship between the arguments to the **defclass** macro and the arguments received by the **ensure-class** function. Examples of typical **defclass** forms and sample expansions are shown in precedence examples.

- The *name* argument to **defclass** becomes the value of the first argument to **ensure-class**. This is the only positional argument accepted by **ensure-class**; all other arguments are keyword arguments.
- The *direct-superclasses* argument to **defclass** becomes the value of the **:direct-superclasses** keyword argument to **ensure-class**.
- The *direct slots* argument to **defclass** becomes the value of the **:direct-slots** keyword argument to **ensure-class**. Special processing of this value is done to regularize the form of each slot specification and to properly capture the lexical scope of the initialization forms. This is done by converting each slot specification to a property list called a *canonicalized slot specification*. The resulting list of canonicalized slot specifications is the value of the **:direct-slots** keyword argument.

Canonicalized slot specifications are later used as the keyword arguments to a generic function which will, in turn, pass them to **make-instance** for use as a set of initialization arguments. Each canonicalized slot specification is formed from the corresponding slot specification as follows:

- The name of the slot is the value of the **:name** property. This property appears in every canonicalized slot specification.
- When the **:initform** slot option is present in the slot specification, then both the **:initform** and **:initfunction** properties are present in the canonicalized slot specification. The value of the **:initform** property is the initialization form. The value of the **:initfunction** property is a function of zero arguments which, when called, returns the result of evaluating the initialization form in its proper lexical environment.

- If the **:initform** slot option is not present in the slot specification, then either the **:initfunction** property will not appear, or its value will be false. In such cases, the value of the **:initform** property, or whether it appears, is unspecified.
- The value of the **:initargs** property is a list of the values of each **:initarg** slot option. If there are no **:initarg** slot options, then either the **:initargs** property will not appear or its value will be the empty list.
- The value of the **:readers** property is a list of the values of each **:reader** and **:accessor** slot option. If there are no **:reader** or **:accessor** slot options, then either the **:readers** property will not appear or its value will be the empty list.
- The value of the **:writers** property is a list of the values specified by each **:writer** and **:accessor** slot option. The value specified by a **:writer** slot option is just the value of the slot option. The value specified by an **:accessor** slot option is a two element list: the first element is the symbol `setf`, the second element is the value of the slot option. If there are no **:writer** or **:accessor** slot options, then either the **:writers** property will not appear or its value will be the empty list.
- The value of the **:documentation** property is the value of the **:documentation** slot option. If there is no **:documentation** slot option, then either the **:documentation** property will not appear or its value will be false.
- All other slot options appear as the values of properties with the same name as the slot option. Note that this includes not only the remaining standard slot options (**:allocation** and **:type**), but also any other options and values appearing in the slot specification. If one of these slot options appears more than once, the value of the property will be a list of the specified values.
- An implementation is free to add additional properties to the canonicalized slot specification provided these are not symbols accessible in the `common-lisp-user` package, or exported by any package defined in the ANSI Common Lisp standard.

Returning to the correspondence between arguments to the **defclass** macro and the arguments received by the **ensure-class** function:



- The *default initargs* class option, if it is present in the **defclass** form, becomes the value of the **:direct-default-initargs** keyword argument to **ensure-class**. Special processing of this value is done to properly capture the lexical scope of the default value forms. This is done by converting each default initarg in the class option into a canonicalized default initarg. The resulting list of canonicalized default initargs is the value of the **:direct-default-initargs** keyword argument to **ensure-class**.

A canonicalized default initarg is a list of three elements. The first element is the name; the second is the actual form itself; and the third is a function of zero arguments which, when called, returns the result of evaluating the default value form in its proper lexical environment.

- The *metaclass* class option, if it is present in the **defclass** form, becomes the value of the **:metaclass** keyword argument to **ensure-class**.
- The *documentation* class option, if it is present in the **defclass** form, becomes the value of the **:documentation** keyword argument to **ensure-class**.
- Any other class options become the value of keyword arguments with the same name. The value of the keyword argument is the tail of the class option. An error is signaled if any class option appears more than once in the **defclass** form.

In the call to **ensure-class**, every element of its arguments appears in the same left-to-right order as the corresponding element of the **defclass** form, except that the order of the properties of canonicalized slot specifications is unspecified. The values of properties in canonicalized slot specifications do follow this ordering requirement. Other ordering relationships in the keyword arguments to **ensure-class** are unspecified.

The result of the call to **ensure-class** is returned as the result of evaluating or executing the **defclass** form.

### The defmethod Macro

The evaluation or execution of a **defmethod** form requires first that the body of the method be converted to a method function. This process is described in the next section. The result of this process is a method function

and a set of additional initialization arguments to be used when creating the new method. Given these two values, the evaluation or execution of a **defmethod** form proceeds in three steps.

The first step ensures the existence of a generic function with the specified name. This is done by calling the function `ensure-generic-function`. The first argument in this call is the generic function name specified in the **defmethod** form.

The second step is the creation of the new method metaobject by calling `make-instance`. The class of the new method metaobject is determined by calling **generic-function-method-class** on the result of the call to **ensure-generic-function** from the first step.

The initialization arguments received by the call to **make-instance** are as follows:

- The value of the **:qualifiers** initialization argument is a list of the qualifiers which appeared in the **defmethod** form. No special processing is done on these values. The order of the elements of this list is the same as in the **defmethod** form.
- The value of the **:lambda-list** initialization argument is the unspecialized lambda list from the **defmethod** form.
- The value of the **:specializers** initialization argument is a list of the specializers for the method. For specializers which are classes, the specializer is the class metaobject itself. In the case of **eql** specializers, it will be an **eql-specializer** metaobject obtained by calling **intern-eql-specializer** on the result of evaluating the **eql** specializer form in the lexical environment of the **defmethod** form.
- The value of the **:function** initialization argument is the method function.
- The value of the **:declarations** initialization argument is a list of the declarations from the **defmethod** form. If there are no declarations in the macro form, this initialization argument either doesn't appear, or appears with a value of the empty list.
- The value of the **:documentation** initialization argument is the documentation string from the **defmethod** form. If there is no documenta-

tion string in the macro form this initialization argument either doesn't appear, or appears with a value of false.

- Any other initialization argument produced in conjunction with the method function are also included.
- The implementation is free to include additional initialization arguments provided these are not symbols accessible in the **common-lisp-user** package, or exported by any package defined in the ANSI Common Lisp standard.

In the third step, **add-method** is called to add the newly created method to the set of methods associated with the generic function metaobject.

The result of the call to **add-method** is returned as the result of evaluating or executing the **defmethod** form.

An example **defmethod** form and one possible correct expansion. In the expansion, method-lambda is the result of calling **make-method-lambda** as described in the section 30.1.4. The initargs appearing after :function are assumed to be additional initargs returned from the call to **make-method-lambda**.

An example showing a typical **defmethod** form and a sample expansion is shown in 30.1. The processing of the method body for this method is shown in 30.2.

### Processing Method Bodies

Before a method can be created, the list of forms comprising the method body must be converted to a method function. This conversion is a two step process.

**Note:** The body of methods can also appear in the **:initial-methods** option of **defgeneric** forms. Initial methods are not considered by any of the protocols specified in this document.

During macro-expansion of the **defmethod** macro shown in 30.1, code similar to this would be run to produce the method lambda and additional initargs. In this example, *environment* is the macroexpansion environment of the **defmethod** macro form.

The first step occurs during macro-expansion of the macro form. In this step, the method lambda list, declarations and body are converted to a lambda expression called a *method lambda*. This conversion is based on

Figure 30.1: Example 3

```

(defmethod move :before ((p position) (l (eql 0))
                        &optional (visiblyp t)
                        &key color)
  (set-to-origin p)
  (when visiblyp (show-move p 0 color)))

(let ((#:g001 (ensure-generic-function 'move)))
  (add-method #:g001
    (make-instance (generic-function-method-class #:g001)
      ':qualifiers '(:before)
      ':specializers (list (find-class 'position)
                          (intern-eql-specializer 0))
      ':lambda-list '(p l &optional (visiblyp t)
                          &key color)
      ':function (function method-lambda)
      ':additional-initarg-1 't
      ':additional-initarg-2 '39)))

```

Figure 30.2: Example 4

```

(let ((gf (ensure-generic-function 'move)))
  (make-method-lambda
    gf
    (class-prototype (generic-function-method-class gf))
    '(lambda (p l &optional (visiblyp t) &key color)
      (set-to-origin p)
      (when visiblyp (show-move p 0 color))))
  environment))

```

information associated with the generic function definition in effect at the time the macro form is expanded.

The generic function definition is obtained by calling **ensure-generic-function** with a first argument of the generic function name specified in the macro form. The **:lambda-list** keyword argument is not passed in this call.

Given the generic function, production of the method lambda proceeds by calling **make-method-lambda**. The first argument in this call is the generic function obtained as described above. The second argument is the result of calling **class-prototype** on the result of calling **generic-function-method-class** on the generic function. The third argument is a lambda expression formed from the method lambda list, declarations and body. The fourth argument is the macro-expansion environment of the macro form; this is the value of the **&environment** argument to the **defmethod** macro.

The generic function **make-method-lambda** returns two values. The first is the method lambda itself. The second is a list of initialization arguments and values. These are included in the initialization arguments when the method is created.

In the second step, the method lambda is converted to a function which properly captures the lexical scope of the macro form. This is done by having the method lambda appear in the macro-expansion as the argument of the function special form. During the subsequent evaluation of the macro-expansion, the result of the function special operator is the method function.

### The **defgeneric** Macro

The evaluation or execution of a **defgeneric** form results in a call to the **ensure-generic-function** function. The arguments received by **ensure-generic-function** are derived from the **defgeneric** form in a defined way. As with **defclass** and **defmethod**, the exact macro-expansion of the **defgeneric** form is not defined, only the relationship between the arguments to the macro and the arguments received by **ensure-generic-function**.

- The *function-name* argument to **defgeneric** becomes the first argument to **ensure-generic-function**. This is the only positional argument accepted by **ensure-generic-function**; all other arguments are keyword arguments.
- The *lambda-list* argument to **defgeneric** becomes the value of the **:lambda-list** keyword argument to **ensure-generic-function**.

- For each of the options **:argument-precedence-order**, **:documentation**, **:generic-function-class** and **:method-class**, the value of the option becomes the value of the keyword argument with the same name. If the option does not appear in the macro form, the keyword argument does not appear in the resulting call to `ensure-generic-function`.
- For the option `declare`, the list of declarations becomes the value of the **:declarations** keyword argument. If the `declare` option does not appear in the macro form, the **:declarations** keyword argument does not appear in the call to `ensure-generic-function`.
- The handling of the **:method-combination** option is not specified.

The result of the call to **ensure-generic-function** is returned as the result of evaluating or executing the `defgeneric` form.

### 30.1.5 Subprotocols

This section provides an overview of the Metaobject Protocols. The detailed behavior of each function, generic function and macro in the Metaobject Protocol is presented in the Generic Functions and Methods Dictionary. The remainder of this chapter is intended to emphasize connections among the parts of the Metaobject Protocol, and to provide some examples of the kinds of specializations and extensions the protocols are designed to support.

#### Metaobject Initialization Protocols

Like other objects, metaobjects can be created by calling **make-instance**. The initialization arguments passed to **make-instance** are used to initialize the metaobject in the usual way. The set of legal initialization arguments, and their interpretation, depends on the kind of metaobject being created. Implementations and portable programs are free to extend the set of legal initialization arguments. Detailed information about the initialization of each kind of metaobject are provided in Generic Functions and Methods Dictionary; this section provides an overview and examples of this behavior.

##### Initialization of Class Metaobjects

Class metaobjects created with **make-instance** are usually *anonymous*; that is, they have no proper name. An anonymous class metaobject can be given a proper name using **setf find-class** and **setf class-name**.

When a class metaobject is created with **make-instance**, it is initialized in the usual way. The initialization arguments passed to **make-instance** are used to establish the definition of the class. Each initialization argument is checked for errors and associated with the class metaobject. The initialization arguments correspond roughly to the arguments accepted by the **defclass** macro, and more closely to the arguments accepted by the **ensure-class** function.

Some class metaobject classes allow their instances to be redefined. When permissible, this is done by calling **reinitialize-instance**. This is discussed in the next section.

An example of creating an anonymous class directly using **make-instance** follows:

```
(flet ((zero () 0)
      (propellor () *propellor*))
  (make-instance 'standard-class
    :name '(my-class foo)
    :direct-superclasses (list (find-class 'plane)
                              another-anonymous-class)
    :direct-slots '((:name x
                    :initform 0
                    :initfunction ,#'zero
                    :initargs (:x)
                    :readers (position-x)
                    :writers ((setf position-x)))
                  (:name y
                    :initform 0
                    :initfunction ,#'zero
                    :initargs (:y)
                    :readers (position-y)
                    :writers ((setf position-y))))
    :direct-default-initargs '((:engine *propellor* ,#'propellor))))
```

### Reinitialization of Class Metaobjects

Some class metaobject classes allow their instances to be reinitialized. This is done by calling **reinitialize-instance**. The initialization arguments have the same interpretation as in class initialization.

If the class metaobject was finalized before the call to **reinitialize-instance**, **finalize-inheritance** will be called again once all the initialization arguments have been processed and associated with the class metaobject. In addition, once finalization is complete, any dependents of the class metaobject will be updated by calling **update-dependent**.

### Initialization of Generic Function and Method Metaobjects

An example of creating a generic function and a method metaobject, and then adding the method to the generic function is shown below. This example is comparable to the method definition shown in 30.1.

```
(let* ((gf (make-instance 'standard-generic-function
                        :lambda-list '(p l &optional visiblyp &key)))
      (method-class (generic-function-method-class gf)))
  (multiple-value-bind (lambda initargs)
    (make-method-lambda
     gf
     (class-prototype method-class)
     '(lambda (p l &optional (visiblyp t) &key color)
        (set-to-origin p)
        (when visiblyp (show-move p 0 color)))
     nil)
    (add-method gf
                (apply #'make-instance method-class
                       :function (compile nil lambda)
                       :specializers (list (find-class 'position)
                                           (intern-eql-specializer 0))
                       :qualifiers ()
                       :lambda-list '(p l &optional (visiblyp t)
                                                &key color)
                       initargs))))))
```

### Class Finalization Protocol

Class *finalization* is the process of computing the information a class inherits from its superclasses and preparing to actually allocate instances of the class. The class finalization process includes computing the class's class precedence list, the full set of slots accessible in instances of the class and the full set



of default initialization arguments for the class. These values are associated with the class metaobject and can be accessed by calling the appropriate reader. In addition, the class finalization process makes decisions about how instances of the class will be implemented.

To support forward-referenced superclasses, and to account for the fact that not all classes are actually instantiated, class finalization is not done as part of the initialization of the class metaobject. Instead, finalization is done as a separate protocol, invoked by calling the generic function **finalize-inheritance**. The exact point at which **finalize-inheritance** is called depends on the class of the class metaobject; for standard-class it is called sometime after all the classes superclasses are defined, but no later than when the first instance of the class is allocated (by **allocate-instance**).

The first step of class finalization is computing the class precedence list. Doing this first allows subsequent steps to access the class precedence list. This step is performed by calling the generic function **compute-class-precedence-list**. The value returned from this call is associated with the class metaobject and can be accessed by calling the **class-precedence-list** generic function.

The second step is computing the full set of slots that will be accessible in instances of the class. This step is performed by calling the generic function **compute-slots**. The result of this call is a list of effective slot definition metaobjects. This value is associated with the class metaobject and can be accessed by calling the **class-slots** generic function.

The behavior of **compute-slots** is itself layered, consisting of calls to **effective-slot-definition-class** and **compute-effective-slot-definition**.

The final step of class finalization is computing the full set of initialization arguments for the class. This is done by calling the generic function **compute-default-initargs**. The value returned by this generic function is associated with the class metaobject and can be accessed by calling **class-default-initargs**.

If the class was previously finalized, **finalize-inheritance** may call **make-instances-obsolete**. The circumstances under which this happens are describe in the section 28.1.10 of the CLOS specification.

Forward-referenced classes, which provide a temporary definition for a class which has been referenced but not yet defined, can never be finalized. An error is signalled if **finalize-inheritance** is called on a forward-referenced class.

### Instance Structure Protocol

The instance structure protocol is responsible for implementing the behavior of the slot access functions like `slot-value` and `(setf slot-value)`.

For each CLOS slot access function other than `slot-exists-p`, there is a corresponding generic function which actually provides the behavior of the function. When called, the slot access function finds the pertinent effective slot definition metaobject, calls the corresponding generic function and returns its result. The arguments passed on to the generic function include one additional value, the class of the *object* argument, which always immediately precedes the *object* argument

The correspondences between slot access function and underlying slot access generic function are as follows:

Slot Access Function	Corresponding Slot Access Generic Function
<code>slot-boundp</code>	<code>slot-boundp-using-class</code>
<code>slot-makunbound</code>	<code>slot-makunbound-using-class</code>
<code>slot-value</code>	<code>slot-value-using-class</code>
<code>(setf slot-value)</code>	<code>(setf slot-value-using-class)</code>

At the lowest level, the instance structure protocol provides only limited mechanisms for portable programs to control the implementation of instances and to directly access the storage associated with instances without going through the indirection of slot access. This is done to allow portable programs to perform certain commonly requested slot access optimizations.

In particular, portable programs can control the implementation of, and obtain direct access to, slots with allocation **:instance** and type **t**. These are called directly accessible slots.

The relevant specified around-method on **compute-slots** determines the implementation of instances by deciding how each slot in the instance will be stored. For each directly accessible slot, this method allocates a location and associates it with the effective slot definition metaobject. The location can be accessed by calling the `slot-definition-location` generic function. Locations are non-negative integers. For a given class, the locations increase consecutively, in the order that the directly accessible slots appear in the list of effective slots. (Note that here, the next paragraph, and the specification of this around-method are the only places where the value returned by **compute-slots** is described as a list rather than a set.)

Given the location of a directly accessible slot, the value of that slot in an instance can be accessed with the appropriate accessor. For

**standard-class**, this accessor is the function **standard-instance-access**. For **funcallable-standard-class**, this accessor is the function **funcallable-standard-instance-access**. In each case, the arguments to the accessor are the instance and the slot location, in that order. See the definition of each accessor in Chapter for additional restrictions on the use of these function.

Portable programs are permitted to affect and rely on the allocation of locations only in the following limited way: By first defining a portable primary method on **compute-slots** which orders the returned value in a predictable way, and then relying on the defined behavior of the specified around-method to assign locations to all directly accessible slots. Portable programs may compile-in calls to low-level accessors which take advantage of the resulting predictable allocation of slot locations.

The following example shows the use of this mechanism to implement a new class metaobject class, **ordered-class** and class option **:slot-order**. This option provides control over the allocation of slot locations. In this simple example implementation, the **:slot-order** option is not inherited by subclasses; it controls only instances of the class itself.

```
(defclass ordered-class (standard-class)
  ((slot-order :initform ()
               :initarg :slot-order
               :reader class-slot-order)))

(defmethod compute-slots ((class ordered-class))
  (let ((order (class-slot-order class)))
    (sort (copy-list (call-next-method))
          #'(lambda (a b) (< (position (slot-definition-name a) order)
                               (position (slot-definition-name b) order))))))
```

Following is the source code the user of this extension would write. Note that because the code above doesn't implement inheritance of the **:slot-order** option, the function **distance** must not be called on instances of subclasses of **point**; it can only be called on instances of **point** itself.

```
(defclass point ()
  ((x :initform 0)
   (y :initform 0))
  (:metaclass ordered-class)
  (:slot-order x y))

(defun distance (point)
  (sqrt (/ (+ (expt (standard-instance-access point 0) 2)
              (expt (standard-instance-access point 1) 2)) 2.0)))
```

In more realistic uses of this mechanism, the calls to the low-level instance structure accessors would not actually appear textually in the source program, but rather would be generated by a meta-level analysis program run during the process of compiling the source program.

### Funcallable Instances

Instances of classes which are themselves instances of **funcallable-standard-class** or one of its subclasses are called funcallable instances. Funcallable instances can only be created by **allocate-instance** (funcallable-standard-class).

Like standard instances, funcallable instances have slots with the normal behavior. They differ from standard instances in that they can be used as functions as well; that is, they can be passed to **funcall** and **apply**, and they can be stored as the definition of a function name. Associated with each funcallable instance is the function which it runs when it is called. This function can be changed with **set-funcallable-instance-function**.

The following simple example shows the use of funcallable instances to create a simple, **defstruct**-like facility. (Funcallable instances are useful when a program needs to construct and maintain a set of functions and information about those functions. They make it possible to maintain both as the same object rather than two separate objects linked, for example, by hash tables.)

```

(defclass constructor ()
  ((name :initarg :name :accessor constructor-name)
   (fields :initarg :fields :accessor constructor-fields))
  (:metaclass funcallable-standard-class))

(defmethod initialize-instance :after ((c constructor) &key)
  (with-slots (name fields) c
    (set-funcallable-instance-function
     c
     #'(lambda ()
         (let ((new (make-array (1+ (length fields)))))
           (setf (aref new 0) name) new))))))

(setq c1 (make-instance 'constructor :name 'position :fields '(x y)))
#<CONSTRUCTOR 262437>

(setq p1 (funcall c1))
#<ARRAY 3 263674>

```

### Generic Function Invocation Protocol

Associated with each generic function is its discriminating function. Each time the generic function is called, the discriminating function is called to provide the behavior of the generic function. The discriminating function receives the full set of arguments received by the generic function. It must lookup and execute the appropriate methods, and return the appropriate values.

The discriminating function is computed by the highest layer of the generic function invocation protocol, **compute-discriminating-function**. Whenever a generic function metaobject is initialized, reinitialized, or a method is added or removed, the discriminating function is recomputed. The new discriminating function is then stored with **set-funcallable-instance-function**.

Discriminating functions call **compute-applicable-methods** and **compute-applicable-methods-using-classes** to compute the methods applicable to the generic functions arguments. Applicable methods are combined by **compute-effective-method** to produce an *effective* method.

Provisions are made to allow memoization of the method applicability and effective methods computations. (See the description of **compute-discriminating-function** for details.)

The body of method definitions are processed by **make-method-lambda**. The result of this generic function is a lambda expression which is processed by either **compile** or the file compiler to produce a *method function*. The arguments received by the method function are controlled by the call-method forms appearing in the effective methods. By default, method functions accept two arguments: a list of arguments to the generic function, and a list of next methods. The list of next methods corresponds to the next methods argument to **call-method**. If **call-method** appears with additional arguments, these will be passed to the method functions as well; in these cases, **make-method-lambda** must have created the method lambdas to expect additional arguments.

### Dependent Maintenance Protocol

It is convenient for portable metaobjects to be able to memoize information about other metaobjects, portable or otherwise. Because class and generic function metaobjects can be reinitialized, and generic function metaobjects can be modified by adding and removing methods, a means must be provided to update this memoized information.

The dependent maintenance protocol supports this by providing a way to register an object which should be notified whenever a class or generic function is modified. An object which has been registered this way is called a dependent of the class or generic function metaobject. The dependents of class and generic function metaobjects are maintained with **add-dependent** and **remove-dependent**. The dependents of a class or generic function metaobject can be accessed with **map-dependents**. Dependents are notified about a modification by calling **update-dependent**. (See the specification of **update-dependent** for detailed description of the circumstances under which it is called.)

To prevent conflicts between two portable programs, or between portable programs and the implementation, portable code must not register metaobjects themselves as dependents. Instead, portable programs which need to record a metaobject as a dependent, should encapsulate that metaobject in some other kind of object, and record that object as the dependent. The results are undefined if this restriction is violated.

This example shows a general facility for encapsulating metaobjects before recording them as dependents. The facility defines a basic kind of encapsulating object: an updater. Specializations of the basic class can be defined with appropriate special updating behavior. In this way, information about the updating required is associated with each updater rather than with the metaobject being updated.

Updaters are used to encapsulate any metaobject which requires updating when a given class or generic function is modified. The function **record-updater** is called to both create an updater and add it to the dependents of the class or generic function. Methods on the generic function **update-dependent**, specialized to the specific class of updater do the appropriate update work.

```
(defclass updater ()
  ((dependent :initarg :dependent :reader dependent)))

(defun record-updater (class dependee dependent &rest initargs)
  (let ((updater (apply #'make-instance class :dependent dependent initargs)))
    (add-dependent dependee updater) updater))
```

A flush-cache-updater simply flushes the cache of the dependent when it is updated.

```
(defclass flush-cache-updater (updater) ())

(defmethod update-dependent (dependee (updater flush-cache-updater) &rest args)
  (declare (ignore args))
  (flush-cache (dependent updater)))
```

## 30.2 Generic Functions and Methods Dictionary

This chapter describes each of the functions and generic functions that make up the CLOS Metaobject Protocol. The descriptions appear in alphabetical order with the exception that all the reader generic functions for each kind of metaobject are grouped together. So, for example, **method-function** would be found with **method-qualifiers** and other method metaobject readers under section 30.2.7.

The description of functions follows the same form as used in the CLOS specification. The description of generic functions is similar to that in the CLOS specification, but some minor changes have been made in the way methods are presented.

The following is an example of the format for the syntax description of a generic function:

*[Generic Function]* **gfl** *x y &optional z &key k*

This description indicates that **gfl** is a generic function with two required parameters, *x* and *y*, an optional parameter *z* and a keyword parameter *k*.

The description of a generic function includes a description of its behavior. This provides the general behavior, or protocol of the generic function. All methods defined on the generic function, both portable and specified, must have behavior consistent with this description.

Every generic function described in this section is an instance of the class `standard-generic-function` and uses standard method combination.

The description of a generic function also includes descriptions of the specified methods for that generic function. In the description of these methods, a method signature is used to describe the parameters and parameter specializers of each method. The following is an example of the format for a method signature:

*[Primary Method]* **gfl** (*x class*) *y &optional z &key k*

This signature indicates that this primary method on the generic function **gfl** has two required parameters, named *x* and *y*. In addition, there is an optional parameter *z* and a keyword parameter *k*. This signature also indicates that the method's parameter specializers are the classes named *class* and *t*.

The description of each method includes a description of the behavior particular to that method.

An abbreviated syntax is used when referring to a method defined elsewhere in the document. This abbreviated syntax includes the name of the generic function, the qualifiers, and the parameter specializers. A reference to the method with the signature shown above is written as: **gfl (class t)**.

*[Generic Function]* **add-dependent** *metaobject dependent*

**Arguments:**



The *metaobject* argument is a class or generic function metaobject.

The *dependent* argument is an object.

**Values:**

The value returned by this generic function is unspecified.

**Purpose:**

This generic function adds *dependent* to the dependents of *metaobject*. If *dependent* is already in the set of dependents it is not added again (no error is signaled).

The generic function **map-dependents** can be called to access the set of dependents of a class or generic function. The generic function **remove-dependent** can be called to remove an object from the set of dependents of a class or generic function. The effect of calling **add-dependent** or **remove-dependent** while a call to **map-dependents** on the same class or generic function is in progress is unspecified.

The situations in which **add-dependent** is called are not specified.

**Methods:**

*[Primary Method]* **add-dependent** (*class* standard-class) *dependent*

No behavior is specified for this method beyond that which is specified for the generic function.

This method cannot be overridden unless the following methods are overridden as well:

**remove-dependent** (standard-class t)

**map-dependents** (standard-class t)

*[Primary Method]* **add-dependent** (*class* funcallable-standard-class)  
*dependent*

No behavior is specified for this method beyond that which is specified for the generic function.

This method cannot be overridden unless the following methods are overridden as well:

**remove-dependent** (funcallable-standard-class t)

**map-dependents** (funcallable-standard-class t)

*[Primary Method]* **add-dependent**  
 (*generic-function* standard-generic-function) *dependent*

No behavior is specified for this method beyond that which is specified for the generic function.

This method cannot be overridden unless the following methods are overridden as well:

**remove-dependent** (standard-generic-function t)

**map-dependents** (standard-generic-function t)

**Notes:**

See the section 30.1.5 for remarks about the use of this facility.

*[Generic Function]* **add-direct-method** *specializer method*

**Arguments:**

The *specializer* argument is a specializer metaobject.

The *method* argument is a method metaobject.

**Values:**

The value returned by this generic function is unspecified.

**Purpose:**

This generic function is called to maintain a set of backpointers from a specializer to the set of methods specialized to it. If *method* is already in the set, it is not added again (no error is signaled).

This set can be accessed as a list by calling the generic function **specializer-direct-methods**. Methods are removed from the set by **remove-direct-method**.

The generic function **add-direct-method** is called by **add-method** whenever a method is added to a generic function. It is called once for each of the specializers of the method. Note that in cases where a specializer appears more than once in the specializers of a method, this generic function will be called more than once with the same specializer as argument.

The results are undefined if the *specializer* argument is not one of the specializers of the *method* argument.

**Methods:**

*[Primary Method]* **add-direct-method** (*specializer* class)  
(*method* method)

This method implements the behavior of the generic function for class specializers. No behavior is specified for this method beyond that which is specified for the generic function.

This method cannot be overridden unless the following methods are overridden as well:

**remove-direct-method** (class method)  
**specializer-direct-generic-functions** (class)  
**specializer-direct-methods** (class)

*[Primary Method]* **add-direct-method** (*specializer* eql-specializer)  
(*method* method)

This method implements the behavior of the generic function for eql specializers. No behavior is specified for this method beyond that which is specified for the generic function.

*[Generic Function]* **add-direct-subclass** *superclass subclass*

**Arguments:**

The *superclass* argument is a class metaobject.

The *subclass* argument is a class metaobject.

**Values:**

The value returned by this generic function is unspecified.

**Purpose:**

This generic function is called to maintain a set of backpointers from a class to its direct subclasses. This generic function adds *subclass* to the set of direct subclasses of *superclass*.

When a class is initialized, this generic function is called once for each direct superclass of the class.

When a class is reinitialized, this generic function is called once for each added direct superclass of the class. The generic function **remove-direct-subclass** is called once for each deleted direct superclass of the class.

**Methods:**

[*Primary Method*] **add-direct-subclass** (*superclass* class) (*subclass* class)

No behavior is specified for this method beyond that which is specified for the generic function.

This method cannot be overridden unless the following methods are overridden as well:

**remove-direct-subclass** (class class)

**class-direct-subclasses** (class)

[*Generic Function*] **add-method** *generic-function* *method*

**Arguments:**

The *generic-function* argument is a generic function metaobject.

The *method* argument is a method metaobject.

**Values:**

The *generic-function* argument is returned.

**Purpose:**

This generic function associates an unattached method with a generic function.

An error is signaled if the lambda list of the method is not congruent with the lambda list of the generic function. An error is also signaled if the method is already associated with some other generic function.

If the given method agrees with an existing method of the generic function on parameter specializers and qualifiers, the existing method is removed by calling `remove-method` before the new method is added. See the section 28.1.6 of the CLOS Specification for a definition of agreement in this context.

Associating the method with the generic function then proceeds in four steps:

- (i) add *method* to the set returned by `generic-function-methods` and arrange for `method-generic-function` to return *generic-function*;
- (ii) call `add-direct-method` for each of the method's specializers;
- (iii) call **compute-discriminating-function** and install its result with `set-funcallable-instance-function`;
- and (iv) update the dependents of the generic function.

The generic function **add-method** can be called by the user or the implementation.

**Methods:**

[*Primary Method*] **add-method**  
 (*generic-function* standard-generic-function) (*method* standard-method)

No behavior is specified for this method beyond that which is specified for the generic function.

[*Generic Function*] **allocate-instance** *class* &rest *initargs*

**Arguments:**

The *class* argument is a class metaobject.

The *initargs* argument consists of alternating initialization argument names and values.

**Values:**

The value returned is a newly allocated instance of *class*.

**Purpose:**

This generic function is called to create a new, uninitialized instance of a class. The interpretation of the concept of an “uninitialized” instance depends on the class metaobject class.

Before allocating the new instance, *class-finalized-p* is called to see if *class* has been finalized. If it has not been finalized, **finalize-inheritance** is called before the new instance is allocated.

**Methods:**

[*Primary Method*] **allocate-instance** (*class* standard-class) &rest *initargs*

This method allocates storage in the instance for each slot with allocation **:instance**. These slots are unbound. Slots with any other allocation are ignored by this method (no error is signaled).

[*Primary Method*] **allocate-instance** (*class* funcallable-standard-class)  
 &rest *initargs*

This method allocates storage in the instance for each slot with allocation **:instance**. These slots are unbound. Slots with any other allocation are ignored by this method (no error is signaled).

The funcallable instance function of the instance is undefined—the results are undefined if the instance is applied to arguments before `set-funcallable-instance-function` has been used to set the funcallable instance function.

*[Primary Method]* **allocate-instance** (*class* built-in-class) &rest *initargs*

This method signals an error.

*[Generic Function]* **class-default-initargs**  
*[Generic Function]* **class-direct-default-initargs**  
*[Generic Function]* **class-direct-slots**  
*[Generic Function]* **class-direct-subclasses**  
*[Generic Function]* **class-direct-superclasses**  
*[Generic Function]* **class-finalized-p**  
*[Generic Function]* **class-name**  
*[Generic Function]* **class-precedence-list**  
*[Generic Function]* **class-prototype**

The following generic functions are described together under section 30.2.5: **class-default-initargs**, **class-direct-default-initargs**, **class-direct-slots**, **class-direct-subclasses**, **class-direct-superclasses**, **class-finalized-p**, **class-name**, **class-precedence-list**, **class-prototype** and **class-slots**.

*[Generic Function]* **compute-applicable-methods** *generic-function*  
*arguments*

**Arguments:**

The *generic-function* argument is a generic function metaobject.

The *arguments* argument is a list of objects.

**Values:**

This generic function returns a possibly empty list of method metaobjects.

**Purpose:**

This generic function determines the method applicability of a generic function given a list of required arguments. The returned list of method metaobjects is sorted by precedence order with the most specific method appearing first. If no methods are applicable to the supplied arguments the empty list is returned.

When a generic function is invoked, the discriminating function must determine the ordered list of methods applicable to the arguments. Depending on the generic function and the arguments, this is done in one of three ways: using a memoized value; calling **compute-applicable-methods-using-classes**; or calling **compute-applicable-methods**. (Refer to the description of **compute-discriminating-function** for the details of this process.)

The *arguments* argument is permitted to contain more elements than the generic function accepts required arguments; in these cases the extra arguments will be ignored. An error is signaled if *arguments* contains fewer elements than the generic function accepts required arguments.

The list returned by this generic function will not be mutated by the implementation. The results are undefined if a portable program mutates the list returned by this generic function.

**Methods:**

[*Primary Method*] **compute-applicable-methods**  
(*generic-function* standard-generic-function) *arguments*

This method signals an error if any method of the generic function has a specializer which is neither a class metaobject nor an **eql** specializer metaobject.

Otherwise, this method computes the sorted list of applicable methods according to the rules described in the section 28.1.7 of the CLOS Specification.

This method can be overridden. Because of the consistency requirements between this generic function and **compute-applicable-methods-using-classes**, doing so may require also overriding **compute-applicable-methods-using-classes** (**standard-generic-function t**).

[*Generic Function*] **compute-applicable-methods-using-classes**  
*generic-function classes*

**Arguments:**

The *generic-function* argument is a generic function metaobject.

The *classes* argument is a list of class metaobjects.

**Values:**

This generic function returns two values. The first is a possibly empty list of method metaobjects. The second is either true or false.

**Purpose:**

This generic function is called to attempt to determine the method applicability of a generic function given only the classes of the required arguments.

If it is possible to completely determine the ordered list of applicable methods based only on the supplied classes, this generic function returns that list as its first value and true as its second value. The returned list of method metaobjects is sorted by precedence order, the most specific method coming first. If no methods are applicable to arguments with the specified classes, the empty list and true are returned.

If it is not possible to completely determine the ordered list of applicable methods based only on the supplied classes, this generic function returns an unspecified first value and false as its second value.

When a generic function is invoked, the discriminating function must determine the ordered list of methods applicable to the arguments. Depending on the generic function and the arguments, this is done in one of three ways: using a memoized value; calling **compute-applicable-methods-using-classes**; or calling **compute-applicable-methods**. (Refer to the description of compute-discriminating-function for the details of this process.)

The following consistency relationship between **compute-applicable-methods-using-classes** and **compute-applicable-methods** must be maintained: for any given generic function and set of arguments, if **compute-applicable-methods-using-classes** returns a second value of true, the first value must be equal to the value that would be returned by a corresponding call to compute-applicable-methods. The results are undefined if a portable method on either of these generic functions causes this consistency to be violated.

The list returned by this generic function will not be mutated by the implementation. The results are undefined if a portable program mutates the list returned by this generic function.

**Methods:**

*[Primary Method]* **compute-applicable-methods-using-classes**  
(*generic-function* standard-generic-function) *classes*

If any method of the generic function has a specializer which is neither a class metaobject nor an **eql** specializer metaobject, this method signals an error.



In cases where the generic function has no methods with **eql** specializers, or has no methods with **eql** specializers that could be applicable to arguments of the supplied classes, this method returns the ordered list of applicable methods as its first value and true as its second value.

Otherwise this method returns an unspecified first value and false as its second value.

This method can be overridden. Because of the consistency requirements between this generic function and `compute-applicable-methods`, doing so may require also overriding **compute-applicable-methods** (standard-generic-function `t`).

**Notes:**

This generic function exists to allow user extensions which alter method lookup rules, but which base the new rules only on the classes of the required arguments, to take advantage of the class-based method lookup memoization found in many implementations. (There is of course no requirement for an implementation to provide this optimization.)

Such an extension can be implemented by two methods, one on this generic function and one on **compute-applicable-methods**. Whenever the user extension is in effect, the first method will return a second value of true. This should allow the implementation to absorb these cases into its own memoization scheme.

To get appropriate performance, other kinds of extensions may require methods on **compute-discriminating-function** which implement their own memoization scheme.

*[Generic Function]* **compute-class-precedence-list** *class*

**Arguments:**

The *class* argument is a class metaobject.

**Values:**

The value returned by this generic function is a list of class metaobjects.

**Purpose:**

This generic-function is called to determine the class precedence list of a class.

The result is a list which contains each of class and its superclasses once and only once. The first element of the list is class and the last element is the **class** named `t`.

All methods on this generic function must compute the class precedence list as a function of the ordered direct superclasses of the superclasses of class. The results are undefined if the rules used to compute the class precedence list depend on any other factors.

When a class is finalized, **finalize-inheritance** calls this generic function and associates the returned value with the class metaobject. The value can then be accessed by calling **class-precedence-list**.

The list returned by this generic function will not be mutated by the implementation. The results are undefined if a portable program mutates the list returned by this generic function.

**Methods:**

*[Primary Method]* **compute-class-precedence-list** (*class* class)

This method computes the class precedence list according to the rules described in the section 28.1.5 of the CLOS Specification.

This method signals an error if *class* or any of its superclasses is a forward referenced class.

This method can be overridden.

*[Generic Function]* **compute-default-initargs** *class*

**Arguments:**

The *class* argument is a class metaobject.

**Values:**

The value returned by this generic function is a list of canonicalized default initialization arguments.

**Purpose:**

This generic-function is called to determine the default initialization arguments for a class.

The result is a list of canonicalized default initialization arguments, with no duplication among initialization argument names.

All methods on this generic function must compute the default initialization arguments as a function of only: (i) the class precedence list of class, and (ii) the direct default initialization arguments of each class in that list. The results are undefined if the rules used to compute the default initialization arguments depend on any other factors.

When a class is finalized, **finalize-inheritance** calls this generic function and associates the returned value with the class metaobject. The value can then be accessed by calling **class-default-initargs**.

The list returned by this generic function will not be mutated by the implementation. The results are undefined if a portable program mutates the list returned by this generic function.

**Methods:**

[*Primary Method*] **compute-default-initargs** (*class* standard-class)  
*compute-default-initargs* (*class* funcallable-standard-class)

These methods compute the default initialization arguments according to the rules described in the section 28.1.9 of the CLOS Specification.

These methods signal an error if *class* or any of its superclasses is a forward referenced class.

These methods can be overridden.

[*Generic Function*] **compute-discriminating-function** *generic-function*

**Arguments:**

The *generic-function* argument is a generic function metaobject.

**Values:**

The value returned by this generic function is a function.

**Purpose:**

This generic function is called to determine the discriminating function for a generic function. When a generic function is called, the *installed* discriminating function is called with the full set of arguments received by the generic function, and must implement the behavior of calling the generic function: determining the ordered set of applicable methods, determining the effective method, and running the effective method.

To determine the ordered set of applicable methods, the discriminating function first calls **compute-applicable-methods-using-classes**. If **compute-applicable-methods-using-classes** returns a second value of false, the discriminating function then calls *compute-applicable-methods*.

When **compute-applicable-methods-using-classes** returns a second value of true, the discriminating function is permitted to memoize the first returned value as follows. The discriminating function may reuse the list of applicable methods without calling **compute-applicable-methods-using-classes** again provided that:

- (i) the generic function is being called again with required arguments which are instances of the same classes,
- (ii) the generic function has not been reinitialized,
- (iii) no method has been added to or removed from the generic function,
- (iv) for all the specializers of all the generic function's methods which are classes, their class precedence lists have not changed and
- (v) for any such memoized value, the class precedence list of the class of each of the required arguments has not changed.

Determination of the effective method is done by calling `compute-effective-method`. When the effective method is run, each method's function is called, and receives as arguments: (i) a list of the arguments to the generic function, and (ii) whatever other arguments are specified in the **call-method** form indicating that the method should be called. (See **make-method-lambda** for more information about how method functions are called.)

The generic function **compute-discriminating-function** is called, and its result installed, by **add-method**, **remove-method**, **initialize-instance** and **reinitialize-instance**.

**Methods:**

*[Primary Method]* **compute-discriminating-function**  
(*generic-function* standard-generic-function)

No behavior is specified for this method beyond that specified for the generic function.

This method can be overridden.

*[Generic Function]* **compute-effective-method** *generic-function*  
*method-combination methods*

**Arguments:**

The **generic-function** argument is a generic function metaobject.

The **method-combination** argument is a method combination metaobject.

The **methods** argument is a list of method metaobjects.

**Values:**

This generic function returns two values. The first is an effective method, the second is a list of effective method options.

**Purpose:**

This generic function is called to determine the effective method from a sorted list of method metaobjects.

An effective method is a form that describes how the applicable methods are to be combined. Inside of effective method forms are **call-method** forms which indicate that a particular method is to be called. The arguments to the **call-method** form indicate exactly how the method function of the method should be called. (See **make-method-lambda** for more details about method functions.)

An effective method option has the same interpretation and syntax as either the **:arguments** or the **:generic-function** option in the long form of **define-method-combination**.

More information about the form and interpretation of effective methods and effective method options can be found under the description of the **define-method-combination** macro in the CLOS specification.

This generic function can be called by the user or the implementation. It is called by discriminating functions whenever a sorted list of applicable methods must be converted to an effective method.

**Methods:**

*[Primary Method]* **compute-effective-method**  
(*generic-function* standard-generic-function) *method-combination methods*

This method computes the effective method according to the rules of the method combination type implemented by *method-combination*.

This method can be overridden.

*[Generic Function]* **compute-effective-slot-definition** *class name*  
*direct-slot-definitions*

**Arguments:**

The *class* argument is a class metaobject.

The *name* argument is a slot name.

The *direct-slot-definitions* argument is an ordered list of direct slot definition metaobjects. The most specific direct slot definition metaobject appears first in the list.

**Values:**

The value returned by this generic function is an effective slot definition metaobject.

**Purpose:**

This generic function determines the effective slot definition for a slot in a class. It is called by **compute-slots** once for each slot accessible in instances of *class*.

This generic function uses the supplied list of direct slot definition metaobjects to compute the inheritance of slot properties for a single slot. The returned effective slot definition represents the result of computing the inheritance. The name of the new effective slot definition is the same as the name of the direct slot definitions supplied.

The class of the effective slot definition metaobject is determined by calling *effective-slot-definition-class*. The effective slot definition is then created by calling **make-instance**. The initialization arguments passed in this call to *make-instance* are used to initialize the new effective slot definition metaobject. See section 30.2.4 for details.

**Methods:**

*[Primary Method]* **compute-effective-slot-definition**

(*class* standard-class) *name direct-slot-definitions*

This method implements the inheritance and defaulting of slot options following the rules described in the section 28.1.3 of the CLOS Specification.

This method can be extended, but the value returned by the extending method must be the value returned by this method.

*[Primary Method]* **compute-effective-slot-definition**

(*class* funcallable-standard-class) *name direct-slot-definitions*

This method implements the inheritance and defaulting of slot options following the rules described in the section 28.1.3 of the CLOS Specification.

This method can be extended, but the value returned by the extending method must be the value returned by this method.

*[Generic Function]* **compute-slots** *class*

**Arguments:**

The *class* argument is a class metaobject.

**Values:**

The value returned is a set of effective slot definition metaobjects.

**Purpose:**

This generic function computes a set of effective slot definition metaobjects for the class *class*. The result is a list of effective slot definition metaobjects: one for each slot that will be accessible in instances of *class*.

This generic function proceeds in 3 steps:

The first step collects the full set of direct slot definitions from the superclasses of *class*.

The direct slot definitions are then collected into individual lists, one list for each slot name associated with any of the direct slot definitions. The slot names are compared with **eql**. Each such list is then sorted into class precedence list order. Direct slot definitions coming from classes earlier in the class precedence list of *class* appear before those coming from classes later in the class precedence list. For each slot name, the generic function **compute-effective-slot-definition** is called to compute an effective slot definition. The result of **compute-slots** is a list of these effective slot definitions, in unspecified order.

In the final step, the location for each effective slot definition is set. This is done by specified around-methods; portable methods cannot take over this behavior. For more information on the slot definition locations, see the section 30.1.5.

The list returned by this generic function will not be mutated by the implementation. The results are undefined if a portable program mutates the list returned by this generic function.

**Methods:**

[*Primary Method*] **compute-slots** (*class* standard-class)

This method implements the specified behavior of the generic function.

This method can be overridden.

[*Primary Method*] **compute-slots** (*class* funcallable-standard-class)

This method implements the specified behavior of the generic function.

This method can be overridden.

*[Around Method]* **compute-slots** (*class* standard-class)

This method implements the specified behavior of computing and storing slot locations. This method cannot be overridden.

*[Around Method]* **compute-slots** (*class* funcallable-standard-class)

This method implements the specified behavior of computing and storing slot locations. This method cannot be overridden.

*[Generic Function]* **direct-slot-definition-class** *class* &rest *initargs*

**Arguments:**

The *class* argument is a class metaobject.

The *initargs* argument is a set of initialization arguments and values.

**Values:**

The value returned is a subclass of the class **direct-slot-definition**.

**Purpose:**

When a class is initialized, each of the canonicalized slot specifications must be converted to a direct slot definition metaobject. This generic function is called to determine the class of that direct slot definition metaobject.

The *initargs* argument is simply the canonicalized slot specification for the slot.

**Methods:**

*[Primary Method]* **direct-slot-definition-class** (*class* standard-class)  
&rest *initargs*

This method returns the class **standard-direct-slot-definition**.

This method can be overridden.

*[Primary Method]* **direct-slot-definition-class**  
(*class* funcallable-standard-class) &rest *initargs*

This method returns the class **standard-direct-slot-definition**.

This method can be overridden.

*[Generic Function]* **effective-slot-definition-class** *class* &rest *initargs*

**Arguments:**



The *class* argument is a class metaobject.

The *initargs* argument is a set of initialization arguments and values.

**Values:**

The value returned is a subclass of the class **effective-slot-definition**.

**Purpose:**

This generic function is called by **compute-effective-slot-definition** to determine the class of the resulting effective slot definition metaobject. The *initargs* argument is the set of initialization arguments and values that will be passed to **make-instance** when the effective slot definition metaobject is created.

**Methods:**

*[Primary Method]* **effective-slot-definition-class** (*class* standard-class)  
&rest *initargs*

This method returns the class standard-effective-slot-definition.

This method can be overridden.

*[Primary Method]* **effective-slot-definition-class**  
(*class* funcallable-standard-class) &rest *initargs*

This method returns the class standard-effective-slot-definition.

This method can be overridden.

*[Function]* **ensure-class** *name* &key &allow-other-keys

**Arguments:**

The *name* argument is a symbol.

Some of the keyword arguments accepted by this function are actually processed by **ensure-class-using-class**, others are processed during initialization of the class metaobject (as described in the section 30.2.1).

**Values:**

The result is a class metaobject.

**Purpose:**

This function is called to define or redefine a class with the specified name, and can be called by the user or the implementation. It is the functional equivalent of **defclass**, and is called by the expansion of the **defclass** macro.

The behavior of this function is actually implemented by the generic function **ensure-class-using-class**. When **ensure-class** is called, it immediately calls **ensure-class-using-class** and returns that result as its own.

The first argument to **ensure-class-using-class** is computed as follows:

- If *name* names a class (`find-class` returns a class when called with **name**) use that class.
- Otherwise use **nil**.

The second argument is **name**. The remaining arguments are the complete set of keyword arguments received by the **ensure-class** function.

*[Generic Function]* **ensure-class-using-class** *class name &key*  
*direct-default-initargs direct-slots direct-superclasses name metaclass*  
**&allow-other-keys**

**Arguments:**

The *class* argument is a class metaobject or nil.

The *name* argument is a class name.

The **:metaclass** argument is a class metaobject class or a class metaobject class name. If this argument is not supplied, it defaults to the class named **standard-class**. If a class name is supplied, it is interpreted as the class with that name. If a class name is supplied, but there is no such class, an error is signaled.

The **:direct-superclasses** argument is a list of which each element is a class metaobject or a class name. An error is signaled if this argument is not a proper list.

For the interpretation of additional keyword arguments, see section 30.2.1.

**Values:**

The result is a class metaobject.

**Purpose:**

This generic function is called to define or modify the definition of a named class. It is called by the **ensure-class** function. It can also be called directly.

The first step performed by this generic function is to compute the set of initialization arguments which will be used to create or reinitialize the named class. The initialization arguments are computed from the full set of keyword arguments received by this generic function as follows:

- The **:metaclass** argument is not included in the initialization arguments.
- If the **:direct-superclasses** argument was received by this generic function, it is converted into a list of class metaobjects. This conversion does not affect the structure of the supplied **:direct-superclasses** argument. For each element in the **:direct-superclasses** argument:
  - If the element is a class metaobject, that class metaobject is used.
  - If the element names a class, that class metaobject is used.
  - Otherwise an instance of the class **forward-referenced-class** is created and used. The proper name of the newly created forward referenced class metaobject is set to *name*.
- All other keyword arguments are included directly in the initialization arguments.

If the *class* argument is **nil**, a new class metaobject is created by calling the `make-instance` generic function with the value of the **:metaclass** argument as its first argument, and the previously computed initialization arguments. The proper name of the newly created class metaobject is set to *name*. The newly created class metaobject is returned.

If the *class* argument is a forward referenced class, **change-class** is called to change its class to the value specified by the **:metaclass** argument. The class metaobject is then reinitialized with the previously computed initialization arguments. (This is a documented violation of the general constraint that **change-class** not be used with class metaobjects.)

If the *class* of the class argument is not the same as the class specified by the **:metaclass** argument, an error is signaled.

Otherwise, the class metaobject *class* is redefined by calling the **reinitialize-instance** generic function with *class* and the initialization arguments. The *class* argument is then returned.

**Methods:**

*[Primary Method]* **ensure-class-using-class** (*class* class) *name* &key *metaclass* *direct-superclasses* &allow-other-keys

This method implements the behavior of the generic function in the case where the class argument is a class.

This method can be overridden.

*[Primary Method]* **ensure-class-using-class**  
 (*class* forward-referenced-class) *name* &key *metaclass* *direct-superclasses*  
 &allow-other-keys

This method implements the behavior of the generic function in the case where the class argument is a forward referenced class.

*[Primary Method]* **ensure-class-using-class** (*class* null) *name* &key  
*metaclass* *direct-superclasses* &allow-other-keys

This method implements the behavior of the generic function in the case where the class argument is **nil**.

*[Function]* **ensure-generic-function** *function-name* &key  
 &allow-other-keys

**Arguments:**

The *function-name* argument is a symbol or a list of the form (**setf symbol**).

Some of the keyword arguments accepted by this function are actually processed by **ensure-generic-function-using-class**, others are processed during initialization of the generic function metaobject (as described in the section 30.2.2).

**Values:**

The result is a generic function metaobject.

**Purpose:**

This function is called to define a globally named generic function or to specify or modify options and declarations that pertain to a globally named generic function as a whole. It can be called by the user or the implementation.

It is the functional equivalent of **defgeneric**, and is called by the expansion of the **defgeneric** and **defmethod** macros.

The behavior of this function is actually implemented by the generic function **ensure-generic-function-using-class**. When **ensure-generic-function** is called, it immediately calls **ensure-generic-function-using-class** and returns that result as its own.

The first argument to **ensure-generic-function-using-class** is computed as follows:

- If *function-name* names a non-generic function, a macro, or a special operator, an error is signaled.
- If *function-name* names a generic function, that generic function metaobject is used.
- Otherwise, **nil** is used.

The second argument is *function-name*. The remaining arguments are the complete set of keyword arguments received by **ensure-generic-function**.

[*Generic Function*] **ensure-generic-function-using-class**  
*generic-function function-name &key argument-precedence-order*  
*declarations documentation generic-function-class lambda-list method-class*  
*method-combination name &allow-other-keys*

**Arguments:**

The *generic-function* argument is a generic function metaobject or **nil**.

The *function-name* argument is a symbol or a list of the form (**setf symbol**).

The **:generic-function-class** argument is a class metaobject or a class name. If it is not supplied, it defaults to the class named **standard-generic-function**. If a class name is supplied, it is interpreted as the class with that name. If a class name is supplied, but there is no such class, an error is signaled.

For the interpretation of additional keyword arguments, see section 30.2.2.

**Values:**

The result is a generic function metaobject.

**Purpose:**

The generic function **ensure-generic-function-using-class** is called to define or modify the definition of a globally named generic function. It is called by the **ensure-generic-function** function. It can also be called directly.

The first step performed by this generic function is to compute the set of initialization arguments which will be used to create or reinitialize the globally named generic function. These initialization arguments are computed from the full set of keyword arguments received by this generic function as follows:

- The **:generic-function-class** argument is not included in the initialization arguments.
- If the **:method-class** argument was received by this generic function, it is converted into a class metaobject. This is done by looking up the class name with **find-class**. If there is no such class, an error is signalled.
- All other keyword arguments are included directly in the initialization arguments.

If the *generic-function* argument is nil, an instance of the class specified by the **:generic-function-class** argument is created by calling **make-instance** with the previously computed initialization arguments. The function name *function-name* is set to name the generic function. The newly created generic function metaobject is returned.

If the class of the *generic-function* argument is not the same as the class specified by the **:generic-function-class** argument, an error is signaled.

Otherwise the generic function *generic-function* is redefined by calling the **reinitialize-instance** generic function with *generic-function* and the initialization arguments. The *generic-function* argument is then returned.

#### Methods:

*[Primary Method]* **ensure-generic-function-using-class**  
 (*generic-function* generic-function) *function-name* &key  
*generic-function-class* &allow-other-keys

This method implements the behavior of the generic function in the case where *function-name* names an existing generic function.

This method can be overridden.

*[Primary Method]* **ensure-generic-function-using-class**  
 (*generic-function* null) *function-name* &key *generic-function-class*  
 &allow-other-keys

This method implements the behavior of the generic function in the case where *function-name* names no function, generic function, macro or special operator.

[Function] **eql-specializer-object** *eql-specializer*

**Arguments:**

The *eql-specializer* argument is an **eql** specializer metaobject.

**Values:**

The value returned by this function is an object.

**Purpose:**

This function returns the object associated with *eql-specializer* during initialization. The value is guaranteed to be **eql** to the value originally passed to **intern-eql-specializer**, but it is not necessarily **eq** to that value.

This function signals an error if *eql-specializer* is not an **eql** specializer.

[Function] **extract-lambda-list** *specialized-lambda-list*

**Arguments:**

The *specialized-lambda-list* argument is a specialized lambda list as accepted by **def-method**.

**Values:**

The result is an unspecialized lambda list.

**Purpose:**

This function takes a specialized lambda list and returns the lambda list with the specializers removed. This is a non-destructive operation. Whether the result shares any structure with the argument is unspecified.

If the *specialized-lambda-list* argument does not have legal syntax, an error is signaled. This syntax checking does not check the syntax of the actual specializer names, only the syntax of the lambda list and where the specializers appear.

**Examples:**

(extract-lambda-list '(p position)) ≡ (P)

(extract-lambda-list '(p position) x y) ≡ (P X Y)

(extract-lambda-list '(a (b (eql x)) c &rest i)) ≡ (A B C &OPTIONAL I)

[Function] **extract-specializer-names** *specialized-lambda-list*

**Arguments:**

The *specialized-lambda-list* argument is a specialized lambda list as accepted by `def-method`.

**Values:**

The result is a list of specializer names.

**Purpose:**

This function takes a specialized lambda list and returns its specializer names. This is a non-destructive operation. Whether the result shares structure with the argument is unspecified. The results are undefined if the result of this function is modified.

The result of this function will be a list with a number of elements equal to the number of required arguments in *specialized-lambda-list*. Specializers are defaulted to the symbol `t`.

If the *specialized-lambda-list* argument does not have legal syntax, an error is signaled. This syntax checking does not check the syntax of the actual specializer names, only the syntax of the lambda list and where the specializers appear.

**Examples:**

`(extract-specializer-names '((p position))) ⇒ (POSITION)`

`(extract-specializer-names '((p position) x y)) ⇒ (POSITION T T)`

`(extract-specializer-names '(a (b (eql x)) c &rest i)) ⇒ (T (EQL X) T)`

[*Generic Function*] **finalize-inheritance** *class*

**Arguments:**

The *class* argument is a class metaobject.

**Values:**

The value returned by this generic function is unspecified.

**Purpose:**

This generic function is called to finalize a class metaobject. This is described in the section 30.1.5.

After **finalize-inheritance** returns, the class metaobject is finalized and the result of calling **class-finalized-p** on the class metaobject will be true.

**Methods:**

[*Primary Method*] **finalize-inheritance** (*class* standard-class)



*[Primary Method]* **finalize-inheritance** (*class* funcallable-standard-class)

No behavior is specified for these methods beyond that which is specified for the generic function.

*[Primary Method]* **finalize-inheritance** (*class* forward-referenced-class)

This method signals an error.

*[Generic Function]* **find-method-combination** *generic-function*  
*method-combination-type-name* *method-combination-options*

**Arguments:**

The *generic-function* argument is a generic function metaobject.

The *method-combination-type-name* argument is a symbol which names a type of method combination.

The *method-combination-options* argument is a list of arguments to the method combination type.

**Values:**

The value returned by this generic function is a method combination metaobject.

**Purpose:**

This generic function is called to determine the method combination object used by a generic function.

**Notes:**

Further details of method combination metaobjects are not specified.

*[Function]* **funcallable-standard-instance-access** *instance* *location*

**Arguments:**

The *instance* argument is an object.

The *location* argument is a slot location.

**Values:**

The result of this function is an object.

**Purpose:**

This function is called to provide direct access to a slot in an instance. By usurping the normal slot lookup protocol, this function is intended to provide highly optimized access to the slots associated with an instance.

The following restrictions apply to the use of this function:

- The *instance* argument must be a funcallable instance (it must have been returned by **allocate-instance (funcallable-standard-class)**).
- The *instance* argument cannot be a non-updated obsolete instance.
- The *location* argument must be a location of one of the directly accessible slots of the instance's class.
- The slot must be bound.

The results are undefined if any of these restrictions are not met.

[*Generic Function*] **generic-function-argument-precedence-order**  
 [*Generic Function*] **generic-function-declarations**  
 [*Generic Function*] **generic-function-lambda-list**  
 [*Generic Function*] **generic-function-method-combination**  
 [*Generic Function*] **generic-function-methods**  
 [*Generic Function*] **generic-function-name**

The following generic functions are described together under section 30.2.6: **generic-function-argument-precedence-order**, **generic-function-declarations**, **generic-function-lambda-list**, **generic-function-method-class**, **generic-function-method-combination**, **generic-function-methods** and **generic-function-name**.

### 30.2.1 Initialization of Class Metaobjects

A class metaobject can be created by calling **make-instance**. The initialization arguments establish the definition of the class. A class metaobject can be redefined by calling **reinitialize-instance**. Some classes of class metaobject do not support redefinition; in these cases, **reinitialize-instance** signals an error.

Initialization of a class metaobject must be done by calling **make-instance** and allowing it to call **initialize-instance**. Reinitialization of a class metaobject must be done by calling **reinitialize-instance**. Portable programs must not call **initialize-instance** directly to initialize a class metaobject. Portable programs must not call **shared-initialize** directly to initialize or reinitialize a class metaobject. Portable programs must not call **change-class** to change the class of any class metaobject or to turn a non-class object into a class metaobject.

Since metaobject classes may not be redefined, no behavior is specified for the result of calls to **update-instance-for-redefined-class** on class metaobjects. Since the class of class metaobjects may not be changed, no behavior is specified for the result of calls to **update-instance-for-different-class** on class metaobjects.

During initialization or reinitialization, each initialization argument is checked for errors and then associated with the class metaobject. The value can then be accessed by calling the appropriate accessor as shown in table 30.2.

This section begins with a description of the error checking and processing of each initialization argument. This is followed by a table showing the generic functions that can be used to access the stored initialization arguments. Initialization behavior specific to the different specified class metaobject classes comes next. The section ends with a set of restrictions on portable methods affecting class metaobject initialization and reinitialization.

In these descriptions, the phrase “this argument defaults to *value*” means that when that initialization argument is not supplied, initialization or reinitialization is performed as if *value* had been supplied. For some initialization arguments this could be done by the use of default initialization arguments, but whether it is done this way is not specified. Implementations are free to define default initialization arguments for specified class metaobject classes. Portable programs are free to define default initialization arguments for portable subclasses of the class **class**.

Unless there is a specific note to the contrary, then during reinitialization, if an initialization argument is not supplied, the previously stored value is left unchanged.

- The **:direct-default-initargs** argument is a list of canonicalized default initialization arguments.

An error is signaled if this value is not a proper list, or if any element of the list is not a canonicalized default initialization argument.

If the class metaobject is being initialized, this argument defaults to the empty list.

- The **:direct-slots** argument is a list of canonicalized slot specifications.

An error is signaled if this value is not a proper list or if any element of the list is not a canonicalized slot specification.

After error checking, this value is converted to a list of direct slot definition metaobjects before it is associated with the class metaobject. Conversion of each canonicalized slot specification to a direct slot definition metaobject is a two-step process. First, the generic function **direct-slot-definition-class** is called with the class metaobject and the canonicalized slot specification to determine the class of the new direct slot definition metaobject; this permits both the class metaobject and the canonicalized slot specification to control the resulting direct slot definition metaobject class. Second, **make-instance** is applied to the direct slot definition metaobject class and the canonicalized slot specification. This conversion could be implemented as shown in the following code:

```
(defun convert-to-direct-slot-definition (class canonicalized-slot)
  (apply #'make-instance
    (apply #'direct-slot-definition-class
      class canonicalized-slot)
    canonicalized-slot))
```

If the class metaobject is being initialized, this argument defaults to the empty list.

Once the direct slot definition metaobjects have been created, the specified reader and writer methods are created. The generic functions **reader-method-class** and **writer-method-class** are called to determine the classes of the method metaobjects created.

- The **:direct-superclasses** argument is a list of class metaobjects. Classes which do not support multiple inheritance signal an error if the list contains more than one element.

An error is signaled if this value is not a proper list or if `validate-superclass` applied to class and any element of this list returns false.

When the class metaobject is being initialized, and this argument is either not supplied or is the empty list, this argument defaults as follows: if the class is an instance of **standard-class** or one of its subclasses the default value is a list of the class **standard-object**; if the class is an instance of **funcallable-standard-class** or one of its subclasses the default value is list of the class **funcallable-standard-object**.

After any defaulting of the value, the generic function **add-direct-subclass** is called once for each element of the list.

When the class metaobject is being reinitialized and this argument is supplied, the generic function **remove-direct-subclass** is called once for each class metaobject in the previously stored value but not in the new value; the generic function **add-direct-subclass** is called once for each class metaobject in the new value but not in the previously stored value.

- The **:documentation** argument is a string or **nil**.

An error is signaled if this value is not a string or **nil**.

If the class metaobject is being initialized, this argument defaults to **nil**.

- The **:name** argument is an object.

If the class is being initialized, this argument defaults to **nil**.

After the processing and defaulting of initialization arguments described above, the value of each initialization argument is associated with the class metaobject. These values can then be accessed by calling the corresponding generic function. The correspondences are as follows:

Instances of the class **standard-class** support multiple inheritance and reinitialization. Instances of the class **funcallable-standard-class** support multiple inheritance and reinitialization. For forward referenced classes, all of the initialization arguments default to **nil**.

Since built-in classes cannot be created or reinitialized by the user, an error is signaled if **initialize-instance** or **reinitialize-instance** are called to initialize or reinitialize a derived instance of the class **built-in-class**.

#### Methods:

It is not specified which methods provide the initialization and reinitialization behavior described above. Instead, the information needed to allow portable programs to specialize this behavior is presented as a set of restrictions on the methods a portable program can define. The model is that portable initialization methods have access to the class metaobject when either all or none of the specified initialization has taken effect.

These restrictions govern the methods that a portable program can define on the generic functions **initialize-instance**, **reinitialize-instance**, and

**shared-initialize.** These restrictions apply only to methods on these generic functions for which the first specializer is a subclass of the class **class**. Other portable methods on these generic functions are not affected by these restrictions.

- Portable programs must not define methods on **shared-initialize**.
- For **initialize-instance** and **reinitialize-instance**:
  - Portable programs must not define primary methods.
  - Portable programs may define around-methods, but these must be extending, not overriding methods.
  - Portable before-methods must assume that when they are run, none of the initialization behavior described above has been completed.
  - Portable after-methods must assume that when they are run, all of the initialization behavior described above has been completed.
 The results are undefined if any of these restrictions are violated.

### 30.2.2 Initialization of Generic Function Metaobjects

A generic function metaobject can be created by calling **make-instance**. The initialization arguments establish the definition of the generic function. A generic function metaobject can be redefined by calling **reinitialize-instance**. Some classes of generic function metaobject do not support redefinition; in these cases, **reinitialize-instance** signals an error.

Initialization of a generic function metaobject must be done by calling **make-instance** and allowing it to call **initialize-instance**. Reinitialization of a generic-function metaobject must be done by calling **reinitialize-instance**. Portable programs must not call **initialize-instance** directly to initialize a generic function metaobject. Portable programs must not call **shared-initialize** directly to initialize or reinitialize a generic function metaobject. Portable programs must not call **change-class** to change the class of any generic function metaobject or to turn a non-generic-function object into a generic function metaobject.

Since metaobject classes may not be redefined, no behavior is specified for the result of calls to **update-instance-for-redefined-class** on generic

function metaobjects. Since the class of a generic function metaobject may not be changed, no behavior is specified for the results of calls to **update-instance-for-different-class** on generic function metaobjects.

During initialization or reinitialization, each initialization argument is checked for errors and then associated with the generic function metaobject. The value can then be accessed by calling the appropriate accessor as shown in table 30.3.

This section begins with a description of the error checking and processing of each initialization argument. This is followed by a table showing the generic functions that can be used to access the stored initialization arguments. The section ends with a set of restrictions on portable methods affecting generic function metaobject initialization and reinitialization.

In these descriptions, the phrase “this argument defaults to *value*” means that when that initialization argument is not supplied, initialization or reinitialization is performed as if *value* had been supplied. For some initialization arguments this could be done by the use of default initialization arguments, but whether it is done this way is not specified. Implementations are free to define default initialization arguments for specified generic function metaobject classes. Portable programs are free to define default initialization arguments for portable subclasses of the class **generic-function**.

Unless there is a specific note to the contrary, then during reinitialization, if an initialization argument is not supplied, the previously stored value is left unchanged.

- The **:argument-precedence-order** argument is a list of symbols.

An error is signaled if this argument appears but the **:lambda-list** argument does not appear. An error is signaled if this value is not a proper list or if this value is not a permutation of the symbols from the required arguments part of the **:lambda-list** initialization argument.

When the generic function is being initialized or reinitialized, and this argument is not supplied, but the **:lambda-list** argument is supplied, this value defaults to the symbols from the required arguments part of the **:lambda-list** argument, in the order they appear in that argument. If neither argument is supplied, neither are initialized (see the description of **:lambda-list**.)

- The **:declarations** argument is a list of declarations.

An error is signaled if this value is not a proper list or if each of its elements is not a legal declaration.

When the generic function is being initialized, and this argument is not supplied, it defaults to the empty list.

- The **:documentation** argument is a string or **nil**.

An error is signaled if this value is not a string or **nil**.

If the generic function is being initialized, this argument defaults to **nil**.

- The **:lambda-list** argument is a lambda list.

An error is signaled if this value is not a proper generic function lambda list.

When the generic function is being initialized, and this argument is not supplied, the generic function's lambda list is not initialized. The lambda list will be initialized later, either when the first method is added to the generic function, or a later reinitialization of the generic function.

- The **:method-combination** argument is a method combination metaobject.

- The **:method-class** argument is a class metaobject.

An error is signaled if this value is not a subclass of the class **method**.

When the generic function is being initialized, and this argument is not supplied, it defaults to the class **standard-method**.

- The **:name** argument is an object.

If the generic function is being initialized, this argument defaults to **nil**.

After the processing and defaulting of initialization arguments described above, the value of each initialization argument is associated with the generic function metaobject. These values can then be accessed by calling the corresponding generic function. The correspondences are as follows:

**Methods:**



It is not specified which methods provide the initialization and reinitialization behavior described above. Instead, the information needed to allow portable programs to specialize this behavior is presented as a set of restrictions on the methods a portable program can define. The model is that portable initialization methods have access to the generic function metaobject when either all or none of the specified initialization has taken effect.

These restrictions govern the methods that a portable program can define on the generic functions `initialize-instance`, **`reinitialize-instance`**, and **`shared-initialize`**. These restrictions apply only to methods on these generic functions for which the first specializer is a subclass of the class **`generic-function`**. Other portable methods on these generic functions are not affected by these restrictions.

- Portable programs must not define methods on **`shared-initialize`**.
- For **`initialize-instance`** and **`reinitialize-instance`**:
  - Portable programs must not define primary methods.
  - Portable programs may define around-methods, but these must be extending, not overriding methods.
  - Portable before-methods must assume that when they are run, none of the initialization behavior described above has been completed.
  - Portable after-methods must assume that when they are run, all of the initialization behavior described above has been completed.

The results are undefined if any of these restrictions are violated.

### 30.2.3 Initialization of Method Metaobjects

A method metaobject can be created by calling **`make-instance`**. The initialization arguments establish the definition of the method. A method metaobject cannot be redefined; calling **`reinitialize-instance`** signals an error.

Initialization of a method metaobject must be done by calling **`make-instance`** and allowing it to call **`initialize-instance`**. Portable programs must not call **`initialize-instance`** directly to initialize a method metaobject. Portable programs must not call **`shared-initialize`** directly to initialize a method metaobject. Portable programs must not call **`change-class`** to

change the class of any method metaobject or to turn a non-method object into a method metaobject.

Since metaobject classes may not be redefined, no behavior is specified for the result of calls to **update-instance-for-redefined-class** on method metaobjects. Since the class of a method metaobject cannot be changed, no behavior is specified for the result of calls to **update-instance-for-different-class** on method metaobjects.

During initialization, each initialization argument is checked for errors and then associated with the method metaobject. The value can then be accessed by calling the appropriate accessor as shown in table 30.4.

This section begins with a description of the error checking and processing of each initialization argument. This is followed by a table showing the generic functions that can be used to access the stored initialization arguments. The section ends with a set of restrictions on portable methods affecting method metaobject initialization.

In these descriptions, the phrase “this argument defaults to *value*” means that when that initialization argument is not supplied, initialization is performed as if *value* had been supplied. For some initialization arguments this could be done by the use of default initialization arguments, but whether it is done this way is not specified. Implementations are free to define default initialization arguments for specified method metaobject classes. Portable programs are free to define default initialization arguments for portable subclasses of the class **method**.

- The **:qualifiers** argument is a list of method qualifiers. An error is signaled if this value is not a proper list, or if any element of the list is not a non-null atom. This argument defaults to the empty list.
- The **:lambda-list** argument is the unspecialized lambda list of the method. An error is signaled if this value is not a proper lambda list. If this value is not supplied, an error is signaled.
- The **:specializers** argument is a list of the specializer metaobjects for the method. An error is signaled if this value is not a proper list, or if the length of the list differs from the number of required arguments in the **:lambda-list** argument, or if any element of the list is not a specializer metaobject. If this value is not supplied, an error is signaled.
- The **:function** argument is a method function. It must be compatible with the methods on **compute-effective-method** defined for this

class of method and generic function with which it will be used. That is, it must accept the same number of arguments as all uses of **call-method** that will call it supply. (See **compute-effective-method** for more information.) An error is signaled if this argument is not supplied.

- When the method being initialized is an instance of a subclass of **standard-accessor-method**, the **:slot-definition** initialization argument must be provided. Its value is the direct slot definition metaobject which defines this accessor method. An error is signaled if the value is not an instance of a subclass of **direct-slot-definition**.
- The **:documentation** argument is a string or **nil**. An error is signaled if this value is not a string or **nil**. This argument defaults to **nil**.

After the processing and defaulting of initialization arguments described above, the value of each initialization argument is associated with the method metaobject. These values can then be accessed by calling the corresponding generic function. The correspondences are as follows:

**Methods:**

It is not specified which methods provide the initialization behavior described above. Instead, the information needed to allow portable programs to specialize this behavior is presented in as a set of restrictions on the methods a portable program can define. The model is that portable initialization methods have access to the method metaobject when either all or none of the specified initialization has taken effect.

These restrictions govern the methods that a portable program can define on the generic functions **initialize-instance**, **reinitialize-instance**, and **shared-initialize**. These restrictions apply only to methods on these generic functions for which the first specializer is a subclass of the class **method**. Other portable methods on these generic functions are not affected by these restrictions.

- Portable programs must not define methods on **shared-initialize** or **reinitialize-instance**.
- For **initialize-instance**:
  - Portable programs must not define primary methods.
  - Portable programs may define around-methods, but these must be extending, not overriding methods.

- Portable before-methods must assume that when they are run, none of the initialization behavior described above has been completed.
- Portable after-methods must assume that when they are run, all of the initialization behavior described above has been completed.

The results are undefined if any of these restrictions are violated.

### 30.2.4 Initialization of Slot Definition Metaobjects

A slot definition metaobject can be created by calling **make-instance**. The initialization arguments establish the definition of the slot definition. A slot definition metaobject cannot be redefined; calling **reinitialize-instance** signals an error.

Initialization of a slot definition metaobject must be done by calling **make-instance** and allowing it to call **initialize-instance**. Portable programs must not call **initialize-instance** directly to initialize a slot definition metaobject. Portable programs must not call **shared-initialize** directly to initialize a slot definition metaobject. Portable programs must not call **change-class** to change the class of any slot definition metaobject or to turn a non-slot-definition object into a slot definition metaobject.

Since metaobject classes may not be redefined, no behavior is specified for the result of calls to **update-instance-for-redefined-class** on slot definition metaobjects. Since the class of a slot definition metaobject cannot be changed, no behavior is specified for the result of calls to **update-instance-for-different-class** on slot definition metaobjects.

During initialization, each initialization argument is checked for errors and then associated with the slot definition metaobject. The value can then be accessed by calling the appropriate accessor as shown in table 30.5.

This section begins with a description of the error checking and processing of each initialization argument. This is followed by a table showing the generic functions that can be used to access the stored initialization arguments.

In these descriptions, the phrase “this argument defaults to *value*” means that when that initialization argument is not supplied, initialization is performed as if *value* had been supplied. For some initialization arguments this could be done by the use of default initialization arguments, but whether it is

done this way is not specified. Implementations are free to define default initialization arguments for specified slot definition metaobject classes. Portable programs are free to define default initialization arguments for portable subclasses of the class slot-definition.

- The **:name** argument is a slot name. An error is signaled if this argument is not a symbol which can be used as a variable name. An error is signaled if this argument is not supplied.
- The **:initform** argument is a form. The **:initform** argument defaults to nil. An error is signaled if the **:initform** argument is supplied, but the **:initfunction** argument is not supplied.
- The **:initfunction** argument is a function of zero arguments which, when called, evaluates the **:initform** in the appropriate lexical environment. The **:initfunction** argument defaults to false. An error is signaled if the **:initfunction** argument is supplied, but the **:initform** argument is not supplied.
- The **:type** argument is a type specifier name. An error is signaled otherwise. The **:type** argument defaults to the symbol **t**.
- The **:allocation** argument is a symbol. An error is signaled otherwise. The **:allocation** argument defaults to the symbol **:instance**.
- The **:initargs** argument is a list of symbols. An error is signaled if this argument is not a proper list, or if any element of this list is not a symbol. The **:initargs** argument defaults to the empty list.
- The **:readers** argument is a list of function names. An error is signaled if it is not a proper list, or if any element is not a valid function name. It defaults to the empty list. An error is signaled if this argument is supplied and the metaobject is not a direct slot definition.
- The **:writers** argument is a list of function names. An error is signaled if it is not a proper list, or if any element is not a valid function name. It defaults to the empty list. An error is signaled if this argument is supplied and the metaobject is not a direct slot definition.
- The **:documentation** argument is a string or **nil**. An error is signaled otherwise. The **:documentation** argument defaults to **nil**.

After the processing and defaulting of initialization arguments described above, the value of each initialization argument is associated with the slot definition metaobject. These values can then be accessed by calling the corresponding generic function. The correspondences are as follows:

**Methods:**

It is not specified which methods provide the initialization and reinitialization behavior described above. Instead, the information needed to allow portable programs to specialize this behavior is presented as a set of restrictions on the methods a portable program can define. The model is that portable initialization methods have access to the slot definition metaobject when either all or none of the specified initialization has taken effect.

These restrictions govern the methods that a portable program can define on the generic functions **initialize-instance**, **reinitialize-instance**, and **shared-initialize**. These restrictions apply only to methods on these generic functions for which the first specializer is a subclass of the class **slot-definition**. Other portable methods on these generic functions are not affected by these restrictions.

- Portable programs must not define methods on **shared-initialize** or **reinitialize-instance**.
- For **initialize-instance**:
  - Portable programs must not define primary methods.
  - Portable programs may define around-methods, but these must be extending, not overriding methods.
  - Portable before-methods must assume that when they are run, none of the initialization behavior described above has been completed.
  - Portable after-methods must assume that when they are run, all of the initialization behavior described above has been completed.

The results are undefined if any of these restrictions are violated.

*[Function]* **intern-eql-specializer** *object*

**Arguments:**

The *object* argument is any Lisp object.

**Values:**

The result is the **eql** specializer metaobject for object.

**Purpose:**

This function returns the unique **eql** specializer metaobject for object, creating one if necessary. Two calls to **intern-eql-specializer** with **eql** arguments will return the same (i.e., **eq**) value.

**Notes:**

The result of calling **eql-specializer-object** on the result of a call to **intern-eql-specializer** is only guaranteed to be **eql** to the original object argument, not necessarily **eq**.

[*Generic Function*] **make-instance** *class* &rest *initargs*

**Arguments:**

The *class* argument is a class metaobject or a class name.

The *initargs* argument is a list of alternating initialization argument names and values.

**Values:**

The result is a newly allocated and initialized instance of class.

**Purpose:**

The generic function **make-instance** creates and returns a new instance of the given class. Its behavior and use is described in the CLOS specification.

**Methods:**

[*Primary Method*] **make-instance** (*class* symbol) &rest *initargs*

This method simply invokes **make-instance** recursively on the arguments (**find-class** *class*) and *initargs*.

[*Primary Method*] **make-instance** (*class* standard-class) &rest *initargs*  
*make-instance* (*class* funcallable-standard-class) &rest *initargs*

These methods implement the behavior of **make-instance** described in the CLOS specification section 28.1.9.

[*Generic Function*] **make-method-lambda** *generic-function* *method*  
*lambda-expression* *environment*

**Arguments:**

The *generic-function* argument is a generic function metaobject.

The *method* argument is a (possibly uninitialized) method metaobject.

The *lambda-expression* argument is a lambda expression.

The *environment* argument is the same as the **&environment** argument to macro expansion functions.

**Values:**

This generic function returns two values. The first is a lambda expression, the second is a list of initialization arguments and values.

**Purpose:**

This generic function is called to produce a lambda expression which can itself be used to produce a method function for a method and generic function with the specified classes. The generic function and method the method function will be used with are not required to be the given ones. Moreover, the method metaobject may be uninitialized.

Either the function **compile**, the special operator **function** or the function **coerce** must be used to convert the lambda expression to a method function. The method function itself can be applied to arguments with **apply** or **funcall**.

When a method is actually called by an effective method, its first argument will be a list of the arguments to the generic function. Its remaining arguments will be all but the first argument passed to **call-method**. By default, all method functions must accept two arguments: the list of arguments to the generic function and the list of next methods.

For a given generic function and method class, the applicable methods on **make-method-lambda** and **compute-effective-method** must be consistent in the following way: each use of **call-method** returned by the method on **compute-effective-method** must have the same number of arguments, and the method lambda returned by the method on **make-method-lambda** must accept a corresponding number of arguments.

Note that the system-supplied implementation of **call-next-method** is not required to handle extra arguments to the method function. Users who define additional arguments to the method function must either redefine or forego **call-next-method**. (See the example below.)

When the method metaobject is created with **make-instance**, the method function must be the value of the **:function** initialization argument. The additional initialization arguments, returned as the second value of this generic function, must also be passed in this call to **make-instance**.

**Methods:**



*[Primary Method]* **make-method-lambda**  
 (*generic-function* standard-generic-function) (*method* standard-method)  
*lambda-expression environment*

This method returns a method lambda which accepts two arguments, the list of arguments to the generic function, and the list of next methods. What initialization arguments may be returned in the second value are unspecified.

This method can be overridden.

This example shows how to define a kind of method which, from within the body of the method, has access to the actual method metaobject for the method. This simplified code overrides whatever method combination is specified for the generic function, implementing a simple method combination supporting only primary methods, **call-next-method** and **next-method-p**. (In addition, its a simplified version of **call-next-method** which does no error checking.)

Notice that the extra lexical function bindings get wrapped around the body before **call-next-method** is called. In this way, the user's definition of **call-next-method** and **next-method-p** are sure to override the system's definitions.

```
(defclass my-generic-function (standard-generic-function)
  ()
  (:default-initargs :method-class (find-class 'my-method)))

(defclass my-method (standard-method) ())
```

```
(defmethod make-method-lambda ((gf my-generic-function) (method my-method)
                                lambda-expression environment)
  (declare (ignore environment))
  '(lambda (args next-methods this-method)
    (,(call-next-method gf method
      '(lambda ,(cadr lambda-expression)
        (flet ((this-method () this-method)
          (call-next-method (&rest cnm-args)
            (funcall (method-function (car next-methods))
              (or cnm-args args) (cdr next-methods) (car next-methods)))
          (next-method-p ()
            (not (null next-methods))))
        ,@(caddr lambda-expression))) environment) args next-methods)))

(defmethod compute-effective-method ((gf my-generic-function)
                                     method-combination methods)
  '(call-method ,(car methods) ,(cdr methods) ,(car methods)))
```

*[Generic Function]* **map-dependents** *metaobject function*

**Arguments:**

The *metaobject* argument is a class or generic function metaobject.

The *function* argument is a function which accepts one argument.

**Values:**

The value returned is unspecified.

**Purpose:**

This generic function applies function to each of the dependents of metaobject. The order in which the dependents are processed is not specified, but function is applied to each dependent once and only once. If, during the mapping, **add-dependent** or **remove-dependent** is called to alter the dependents of metaobject, it is not specified whether the newly added or removed dependent will have function applied to it.

**Methods:**

*[Primary Method]* **map-dependents** (*metaobject* standard-class) *function*

This method has no specified behavior beyond that which is specified for the generic function.

This method cannot be overridden unless the following methods are overridden as well:

**add-dependent** (standard-class t)  
**remove-dependent** (standard-class t)

*[Primary Method]* **map-dependents**  
 (*metaobject* funcallable-standard-class) *function*

This method has no specified behavior beyond that which is specified for the generic function.

This method cannot be overridden unless the following methods are overridden as well:

**add-dependent** (funcallable-standard-class t) **remove-dependent**  
 (funcallable-standard-class t)

*[Primary Method]* **map-dependents**  
 (*metaobject* standard-generic-function) *function*

This method has no specified behavior beyond that which is specified for the generic function.

This method cannot be overridden unless the following methods are overridden as well:

**add-dependent** (standard-generic-function t) **remove-dependent**  
 (standard-generic-function t)

**Notes:**

See the section 30.1.5 for remarks about the use of this facility.

*[Generic Function]* **method-function**  
*[Generic Function]* **method-generic-function**  
*[Generic Function]* **method-lambda-list**  
*[Generic Function]* **method-specializers**  
*[Generic Function]* **method-qualifiers**  
*[Generic Function]* **accessor-method-slot-definition**

The following generic functions are described together under 30.2.6: `method-function`, `method-generic-function`, `method-lambda-list`, `method-specializers`, `method-qualifiers` and `accessor-method-slot-definition`.

### 30.2.5 Readers for Class Metaobjects

In this and the immediately following sections, the “reader” generic functions which simply return information associated with a particular kind of metaobject are presented together. General information is presented first, followed by a description of the purpose of each, and ending with the specified methods for these generic functions.

The reader generic functions which simply return information associated with class metaobjects are presented together in this section.

Each of the reader generic functions for class metaobjects has the same syntax, accepting one required argument called *class*, which must be a class metaobject; otherwise, an error is signaled. An error is also signaled if the class metaobject has not been initialized.

These generic functions can be called by the user or the implementation.

For any of these generic functions which returns a list, such lists will not be mutated by the implementation. The results are undefined if a portable program allows such a list to be mutated.

*[Generic Function]* **class-default-initargs** *class*

Returns a list of the default initialization arguments for *class*. Each element of this list is a canonicalized default initialization argument. The empty list is returned if class has no default initialization arguments.

During finalization **finalize-inheritance** calls **compute-default-initargs** to compute the default initialization arguments for the class. That value is associated with the class metaobject and is returned by **class-default-initargs**.

This generic function signals an error if *class* has not been finalized.

*[Generic Function]* **class-direct-default-initargs** *class*

Returns a list of the direct default initialization arguments for class. Each element of this list is a canonicalized default initialization argument. The empty list is returned if class has no direct default initialization arguments. This is the defaulted value of the **:direct-default-initargs** initialization argument that was associated with the class during initialization or reinitialization.

*[Generic Function]* **class-direct-slots** *class*

Returns a set of the direct slots of *class*. The elements of this set are direct slot definition metaobjects. If the class has no direct slots, the empty set is returned. This is the defaulted value of the **:direct-slots** initialization argument that was associated with the class during initialization and reinitialization.

*[Generic Function]* **class-direct-subclasses** *class*

Returns a set of the direct subclasses of *class*. The elements of this set are class metaobjects that all mention this class among their direct superclasses. The empty set is returned if class has no direct subclasses. This value is maintained by the generic functions **add-direct-subclass** and **remove-direct-subclass**.

*[Generic Function]* **class-direct-superclasses** *class*

Returns a list of the direct superclasses of *class*. The elements of this list are class metaobjects. The empty list is returned if class has no direct superclasses. This is the defaulted value of the **:direct-superclasses** initialization argument that was associated with the class during initialization or reinitialization.

*[Generic Function]* **class-finalized-p** *class*

Returns true if *class* has been finalized. Returns false otherwise. Also returns false if the *class* has not been initialized.

*[Generic Function]* **class-name** *class*

Returns the name of *class*. This value can be any Lisp object, but is usually a symbol, or nil if the class has no name. This is the defaulted value of the **:name** initialization argument that was associated with the class during initialization or reinitialization. (Also see (**setf class-name**).)

*[Generic Function]* **class-precedence-list** *class*

Returns the class precedence list of *class*. The elements of this list are class metaobjects.

During class finalization **finalize-inheritance** calls **compute-class-precedence-list** to compute the class precedence list of the class. That value is associated with the class metaobject and is returned by **class-precedence-list**.

This generic function signals an error if *class* has not been finalized.

[*Generic Function*] **class-prototype** *class*

Returns a prototype instance of **class**. Whether the instance is initialized is not specified. The results are undefined if a portable program modifies the binding of any slot of prototype instance.

This generic function signals an error if *class* has not been finalized.

[*Generic Function*] **class-slots** *class*

Returns a possibly empty set of the slots accessible in instances of **class**. The elements of this set are effective slot definition metaobjects.

During class finalization **finalize-inheritance** calls **compute-slots** to compute the slots of the class. That value is associated with the class metaobject and is returned by **class-slots**.

This generic function signals an error if *class* has not been finalized.

#### **Methods:**

The specified methods for the class metaobject reader generic functions are presented below.

Each entry in the table indicates a method on one of the reader generic functions, specialized to a specified class. The number in each entry is a reference to the full description of the method. The full descriptions appear after the table.

1. This method returns the value which was associated with the class metaobject during initialization or reinitialization.
2. This method returns the value associated with the class metaobject by **finalize-inheritance** (standard-class) or **finalize-inheritance** (funcallable-standard-class).
3. This method signals an error.
4. This method returns the empty list.

5. This method returns true.
6. This method returns false.
7. This method returns a value derived from the information in table 30.1, except that implementation-specific modifications are permitted as described in section 30.1.3.
8. This method returns the name of the built-in class.
9. This methods returns a value which is maintained by **add-direct-subclass** (**class class**) and **remove-direct-subclass** (**class class**). This method can be overridden only if those methods are overridden as well.
10. No behavior is specified for this method beyond that specified for the generic function.

### 30.2.6 Readers for Generic Function Metaobjects

The reader generic functions which simply return information associated with generic function metaobjects are presented together in this section.

Each of the reader generic functions for generic function metaobjects has the same syntax, accepting one required argument called *generic-function*, which must be a generic function metaobject; otherwise, an error is signaled. An error is also signaled if the generic function metaobject has not been initialized.

These generic functions can be called by the user or the implementation.

The list returned by this generic function will not be mutated by the implementation. The results are undefined if a portable program mutates the list returned by this generic function.

*[Generic Function]* **generic-function-argument-precedence-order**  
*generic-function*

Returns the argument precedence order of the generic function. This value is a list of symbols, a permutation of the required parameters in the lambda list of the generic function. This is the defaulted value of the **:argument-precedence-order** initialization argument that was associated with the generic function metaobject during initialization or reinitialization.

*[Generic Function]* **generic-function-declarations** *generic-function*

Returns a possibly empty list of the declarations of the generic function. The elements of this list are declarations. This list is the defaulted value of the **:declarations** initialization argument that was associated with the generic function metaobject during initialization or reinitialization.

*[Generic Function]* **generic-function-lambda-list** *generic-function*

Returns the lambda list of the generic function. This is the defaulted value of the **:lambda-list** initialization argument that was associated with the generic function metaobject during initialization or reinitialization. An error is signaled if the lambda list has yet to be supplied.

*[Generic Function]* **generic-function-method-class** *generic-function*

Returns the default method class of the generic function. This class must be a subclass of the class **method**. This is the defaulted value of the **:method-class** initialization argument that was associated with the generic function metaobject during initialization or reinitialization.

*[Generic Function]* **generic-function-method-combination**  
*generic-function*

Returns the method combination of the generic function. This is a method combination metaobject. This is the defaulted value of the **:method-combination** initialization argument that was associated with the generic function metaobject during initialization or reinitialization.

*[Generic Function]* **generic-function-methods** *generic-function*

Returns the set of methods currently connected to the generic function. This is a set of method metaobjects. This value is maintained by the generic functions **add-method** and **remove-method**.

*[Generic Function]* **generic-function-name** *generic-function*

Returns the name of the generic function, or **nil** if the generic function has no name. This is the defaulted value of the **:name** initialization argument



that was associated with the generic function metaobject during initialization or reinitialization. (Also see (**setf generic-function-name**).)

**Methods:**

The specified methods for the generic function metaobject reader generic functions are presented below.

*[Primary Method]* **generic-function-argument-precedence-order**

(*generic-function* standard-generic-function)

*[Primary Method]* **generic-function-declarations**

(*generic-function* standard-generic-function)

*[Primary Method]* **generic-function-lambda-list**

(*generic-function* standard-generic-function)

*[Primary Method]* **generic-function-method-class**

(*generic-function* standard-generic-function)

*[Primary Method]* **generic-function-method-combination**

(*generic-function* standard-generic-function)

*[Primary Method]* **generic-function-name**

(*generic-function* standard-generic-function)

No behavior is specified for these methods beyond that which is specified for their respective generic functions.

*[Primary Method]* **generic-function-methods**

(*generic-function* standard-generic-function)

No behavior is specified for this method beyond that which is specified for their respective generic functions.

The value returned by this method is maintained by **add-method (standard-generic-function standard-method)** and **remove-method (standard-generic-function standard-method)**.

### 30.2.7 Readers for Method Metaobjects

The reader generic functions which simply return information associated with method metaobjects are presented together here in the format described under section 30.2.5.

Each of these reader generic functions have the same syntax, accepting one required argument called *method*, which must be a method metaob-

ject; otherwise, an error is signaled. An error is also signaled if the method metaobject has not been initialized.

These generic functions can be called by the user or the implementation.

For any of these generic functions which returns a list, such lists will not be mutated by the implementation. The results are undefined if a portable program allows such a list to be mutated.

*[Generic Function]* **method-function** *method*

Returns the method function of *method*. This is the defaulted value of the **:function** initialization argument that was associated with the method during initialization.

*[Generic Function]* **method-generic-function** *method*

Returns the generic function that *method* is currently connected to, or **nil** if it is not currently connected to any generic function. This value is either a generic function metaobject or **nil**. When a method is first created it is not connected to any generic function. This connection is maintained by the generic functions **add-method** and **remove-method**.

*[Generic Function]* **method-lambda-list** *method*

Returns the (unspecialized) lambda list of *method*. This value is a Common Lisp lambda list. This is the defaulted value of the **:lambda-list** initialization argument that was associated with the method during initialization.

*[Generic Function]* **method-specializers** *method*

Returns a list of the specializers of *method*. This value is a list of specializer metaobjects. This is the defaulted value of the **:specializers** initialization argument that was associated with the method during initialization.

*[Generic Function]* **method-qualifiers** *method*

Returns a (possibly empty) list of the qualifiers of *method*. This value is a list of non-**nil** atoms. This is the defaulted value of the **:qualifiers** initialization argument that was associated with the method during initialization.

*[Generic Function]* **accessor-method-slot-definition** *method*

This accessor can only be called on accessor methods. It returns the direct slot definition metaobject that defined this method. This is the value of the **:slot-definition** initialization argument associated with the method during initialization.

**Methods:**

The specified methods for the method metaobject readers are presented below.

*[Primary Method]* **method-function** (*method* standard-method)

*[Primary Method]* **method-lambda-list** (*method* standard-method)

*[Primary Method]* **method-specializers** (*method* standard-method)

*[Primary Method]* **method-qualifiers** (*method* standard-method)

No behavior is specified for these methods beyond that which is specified for their respective generic functions.

*[Primary Method]* **method-generic-function** (*method* standard-method)

No behavior is specified for this method beyond that which is specified for its generic function.

The value returned by this method is maintained by **add-method** (**standard-generic-function** standard-method) and **remove-method** (**standard-generic-function** standard-method).

*[Primary Method]* **accessor-method-slot-definition**  
(*method* standard-accessor-method)

No behavior is specified for this method beyond that which is specified for its generic function.

### 30.2.8 Readers for Slot Definition Metaobjects

The reader generic functions which simply return information associated with slot definition metaobjects are presented together here in the format described under section 30.2.5.

Each of the reader generic functions for slot definition metaobjects has the same syntax, accepting one required argument called *slot*, which must be

a slot definition metaobject; otherwise, an error is signaled. An error is also signaled if the slot definition metaobject has not been initialized.

These generic functions can be called by the user or the implementation.

For any of these generic functions which returns a list, such lists will not be mutated by the implementation. The results are undefined if a portable program allows such a list to be mutated.

Generic Functions:

*[Generic Function]* **slot-definition-allocation** *slot*

Returns the allocation of *slot*. This is a symbol. This is the defaulted value of the **:allocation** initialization argument that was associated with the slot definition metaobject during initialization.

*[Generic Function]* **slot-definition-initargs** *slot*

Returns the set of initialization argument keywords for *slot*. This is the defaulted value of the **:initargs** initialization argument that was associated with the slot definition metaobject during initialization.

*[Generic Function]* **slot-definition-initform** *slot*

Returns the initialization form of *slot*. This can be any form. This is the defaulted value of the **:initform** initialization argument that was associated with the slot definition metaobject during initialization. When *slot* has no initialization form, the value returned is unspecified (however, **slot-definition-initfunction** is guaranteed to return **nil**).

*[Generic Function]* **slot-definition-initfunction** *slot*

Returns the initialization function of *slot*. This value is either a function of no arguments, or **nil**, indicating that the slot has no initialization function. This is the defaulted value of the **:initfunction** initialization argument that was associated with the slot definition metaobject during initialization.

*[Generic Function]* **slot-definition-name** *slot*

Returns the name of *slot*. This value is a symbol that can be used as a variable name. This is the value of the **:name** initialization argument that was associated with the slot definition metaobject during initialization.

*[Generic Function]* **slot-definition-type** *slot*

Returns the type of *slot*. This is a type specifier name. This is the defaulted value of the **:type** initialization argument that was associated with the slot definition metaobject during initialization.

**Methods:**

The specified methods for the slot definition metaobject readers are presented below.

*[Primary Method]* **slot-definition-allocation**

(*slot-definition* standard-slot-definition)

*[Primary Method]* **slot-definition-initargs**

(*slot-definition* standard-slot-definition)

*[Primary Method]* **slot-definition-initform**

(*slot-definition* standard-slot-definition)

*[Primary Method]* **slot-definition-initfunction**

(*slot-definition* standard-slot-definition)

*[Primary Method]* **slot-definition-name**

(*slot-definition* standard-slot-definition)

*[Primary Method]* **slot-definition-type**

(*slot-definition* standard-slot-definition)

No behavior is specified for these methods beyond that which is specified for their respective generic functions.

**Direct Slot Definition Metaobjects:**

The following additional reader generic functions are defined for direct slot definition metaobjects.

*[Generic Function]* **slot-definition-readers** *direct-slot*

Returns a (possibly empty) set of readers of the direct *slot*. This value is a list of function names. This is the defaulted value of the **:readers** initialization argument that was associated with the direct slot definition metaobject during initialization.

*[Generic Function]* **slot-definition-writers** *direct-slot*

Returns a (possibly empty) set of writers of the direct *slot*. This value is a list of function names. This is the defaulted value of the **:writers** initializa-

tion argument that was associated with the direct slot definition metaobject during initialization.

*[Primary Method]* **slot-definition-readers**  
 (*direct-slot-definition* standard-direct-slot-definition)  
*[Primary Method]* **slot-definition-writers**  
 (*direct-slot-definition* standard-direct-slot-definition)

No behavior is specified for these methods beyond what is specified for their generic functions.

**Effective Slot Definition Metaobjects:**

The following reader generic function is defined for effective slot definition metaobjects.

*[Generic Function]* **slot-definition-location** *effective-slot-definition*

Returns the location of effective-slot-definition. The meaning and interpretation of this value is described in the section 30.1.5.

*[Primary Method]* **slot-definition-location**  
 (*effective-slot-definition* standard-effective-slot-definition)

This method returns the value stored by

*[Around Method]* **compute-slots** (*standard-class*)  
 compute-slots (funcallable-standard-class)

Stub

*[Generic Function]* **reader-method-class** *class direct-slot &rest initargs*

**Arguments:**

The *class* argument is a class metaobject.

The *direct-slot* argument is a direct slot definition metaobject.

The *initargs* argument consists of alternating initialization argument names and values.

**Values:**

The value returned is a class metaobject.

**Purpose:**

This generic function is called to determine the class of reader methods created during class initialization and reinitialization. The result must be a subclass of `standard-reader-method`.

The *initargs* argument must be the same as will be passed to **make-instance** to create the reader method. The *initargs* must include **:slot-definition** with `slot-definition` as its value.

**Methods:**

[*Primary Method*] **reader-method-class** (*class* `standard-class`)  
(*direct-slot* `standard-direct-slot-definition`) &rest *initargs*

[*Primary Method*] **reader-method-class** (*class* `funcallable-standard-class`)  
(*direct-slot* `standard-direct-slot-definition`) &rest *initargs*

These methods return the class **standard-reader-method**. These methods can be overridden.

[*Generic Function*] **remove-dependent** *metaobject dependent*

**Arguments:**

The *metaobject* argument is a class or generic function metaobject.

The *dependent* argument is an object.

**Values:**

The value returned by this generic function is unspecified.

**Purpose:**

This generic function removes *dependent* from the dependents of *metaobject*. If *dependent* is not one of the dependents of *metaobject*, no error is signaled.

The generic function **map-dependents** can be called to access the set of dependents of a class or generic function. The generic function **add-dependent** can be called to add an object from the set of dependents of a class or generic function. The effect of calling **add-dependent** or **remove-dependent** while a call to **map-dependents** on the same class or generic function is in progress is unspecified.

The situations in which **remove-dependent** is called are not specified.

**Methods:**

*[Primary Method]* **remove-dependent** (*class* standard-class) *dependent*

No behavior is specified for this method beyond that which is specified for the generic function.

This method cannot be overridden unless the following methods are overridden as well:

**add-dependent** (standard-class t)

**map-dependents** (standard-class t)

*[Primary Method]* **remove-dependent** (*class* funcallable-standard-class) *dependent*

No behavior is specified for this method beyond that which is specified for the generic function.

This method cannot be overridden unless the following methods are overridden as well:

**add-dependent** (funcallable-standard-class t)

**map-dependents** (funcallable-standard-class t)

*[Primary Method]* **remove-dependent**  
(*generic-function* standard-generic-function) *dependent*

No behavior is specified for this method beyond that which is specified for the generic function.

This method cannot be overridden unless the following methods are overridden as well:

**add-dependent** (standard-generic-function t)

**map-dependents** (standard-generic-function t)

**Notes:**

See the section 30.1.5 for remarks about the use of this facility.

*[Generic Function]* **remove-direct-method** *specializer method*

**Arguments:**

The *specializer* argument is a specializer metaobject.

The *method* argument is a method metaobject.



**Values:**

The value returned by `remove-direct-method` is unspecified.

**Purpose:**

This generic function is called to maintain a set of backpointers from a `specializer` to the set of methods specialized to it. If `method` is in the set it is removed. If it is not, no error is signaled.

This set can be accessed as a list by calling the generic function **`specializer-direct-methods`**. Methods are added to the set by **`add-direct-method`**.

The generic function **`remove-direct-method`** is called by **`remove-method`** whenever a method is removed from a generic function. It is called once for each of the `specializers` of the method. Note that in cases where a `specializer` appears more than once in the `specializers` of a method, this generic function will be called more than once with the same `specializer` as argument.

The results are undefined if the `specializer` argument is not one of the `specializers` of the `method` argument.

**Methods:**

*[Primary Method]* **`remove-direct-method`** (*specializer* class)  
(*method* method)

This method implements the behavior of the generic function for class `specializers`. No behavior is specified for this method beyond that which is specified for the generic function.

This method cannot be overridden unless the following methods are overridden as well:

`add-direct-method` (class method)  
`specializer-direct-generic-functions` (class)  
`specializer-direct-methods` (class)

*[Primary Method]* **`remove-direct-method`** (*specializer eql-specializer*)  
(*method* method)

This method implements the behavior of the generic function for `eql specializers`. No behavior is specified for this method beyond that which is specified for the generic function.

[*Generic Function*] **remove-direct-subclass** *superclass subclass*

**Arguments:**

The *superclass* argument is a class metaobject.

The *subclass* argument is a class metaobject.

**Values:**

The value returned by this generic function is unspecified.

**Purpose:**

This generic function is called to maintain a set of backpointers from a class to its direct subclasses. It removes subclass from the set of direct subclasses of *superclass*. No error is signaled if *subclass* is not in this set.

Whenever a class is reinitialized, this generic function is called once with each deleted direct superclass of the class.

**Methods:**

[*Primary Method*] **remove-direct-subclass** (*superclass class*)  
(*subclass class*)

No behavior is specified for this method beyond that which is specified for the generic function.

This method cannot be overridden unless the following methods are overridden as well:

add-direct-subclass (class class)

class-direct-subclasses (class)

[*Generic Function*] **remove-method** *generic-function method*

**Arguments:**

The *generic-function* argument is a generic function metaobject.

The *method* argument is a method metaobject.

**Values:**

The *generic-function* argument is returned.

**Purpose:**

This generic function breaks the association between a generic function and one of its methods.

No error is signaled if the method is not among the methods of the generic function.

Breaking the association between the method and the generic function proceeds in four steps:

- (i) remove method from the set returned by **generic-function-methods** and arrange for **method-generic-function** to return **nil**;
- (ii) call **remove-direct-method** for each of the method's specializers;
- (iii) call **compute-discriminating-function** and install its result with **set-funcallable-instance-function**;
- and (iv) update the dependents of the generic function.

The generic function **remove-method** can be called by the user or the implementation.

**Methods:**

*[Primary Method]* **remove-method** *generic-function*  
*standard-generic-function*) (*method* *standard-method*)

No behavior is specified for this method beyond that which is specified for the generic function.

*[Function]* **set-funcallable-instance-function** *funcallable-instance*  
*function*

**Arguments:**

The *funcallable-instance* argument is a funcallable instance (it must have been returned by **allocate-instance** (**funcallable-standard-class**)).

The function argument is a function.

**Values:**

The value returned by this function is unspecified.

**Purpose:**

This function is called to set or to change the function of a funcallable instance. After **set-funcallable-instance-function** is called, any subsequent calls to *funcallable-instance* will run the new function.

*[Function]* (**setf class-name**) *new-name class*

**Arguments:**

The *class* argument is a class metaobject.

The *new-name* argument is any Lisp object.

**Values:**

This function returns its *new-name* argument.

**Purpose:**

This function changes the name of *class* to *new-name*. This value is usually a symbol, or **nil** if the class has no name.

This function works by calling **reinitialize-instance** with *class* as its first argument, the symbol **:name** as its second argument and *new-name* as its third argument.

[Function] (**setf generic-function-name**) *new-name generic-function*

**Arguments:**

The *generic-function* argument is a generic function metaobject.

The *new-name* argument is a function name or **nil**.

**Values:**

This function returns its *new-name* argument.

**Purpose:**

This function changes the name of generic-function to *new-name*. This value is usually a function name (i.e., a symbol or a list of the form (**setf symbol**)) or **nil**, if the generic function is to have no name.

This function works by calling **reinitialize-instance** with *generic-function* as its first argument, the symbol **:name** as its second argument and *new-name* as its third argument.

[Generic Function] (**setf slot-value-using-class**) *new-value class object slot*

**Arguments:**

The *new-value* argument is an object.

The *class* argument is a class metaobject. It is the class of the *object* argument.

The *object* argument is an object.

The *slot* argument is an effective slot definition metaobject.

**Values:**

This generic function returns the *new-value* argument.

**Purpose:**

The generic function (**setf slot-value-using-class**) implements the behavior of the (**setf slot-value**) function. It is called by (**setf slot-value**) with the class of object as its second argument and the pertinent effective slot definition metaobject as its fourth argument.

The generic function (**setf slot-value-using-class**) sets the value contained in the given slot of the given object to the given new value; any previous value is lost.

The results are undefined if the *class* argument is not the class of the *object* argument, or if the slot argument does not appear among the set of effective slots associated with the *class* argument.

**Methods:**

[Primary Method] (**setf slot-value-using-class**) *new-value*  
(*class* standard-class) *object* (*slot* standard-effective-slot-definition)

[Primary Method] (**setf slot-value-using-class**) *new-value*  
(*class* funcallable-standard-class) *object*  
(*slot* standard-effective-slot-definition)

These methods implement the full behavior of this generic function for slots with allocation **:instance** and **:class**. If the supplied slot has an allocation other than **:instance** or **:class** an error is signaled.

Overriding these methods is permitted, but may require overriding other methods in the standard implementation of the slot access protocol.

[Primary Method] (**setf slot-value-using-class**) *new-value*  
(*class* built-in-class) *object slot*

This method signals an error.

[Generic Function] **slot-boundp-using-class** *class object slot*

**Arguments:**

The *class* argument is a class metaobject. It is the class of the *object* argument.

The *object* argument is an object.

The *slot* argument is an effective slot definition metaobject.

**Values:**

This generic function returns true or false.

**Purpose:**

This generic function implements the behavior of the **slot-boundp** function. It is called by **slot-boundp** with the class of *object* as its first argument and the pertinent effective slot definition metaobject as its third argument.

The generic function **slot-boundp-using-class** tests whether a specific slot in an instance is bound.

The results are undefined if the *class* argument is not the class of the *object* argument, or if the *slot* argument does not appear among the set of effective slots associated with the *class* argument.

**Methods:**

*[Primary Method]* **slot-boundp-using-class** (*class* standard-class) *object*  
(*slot* standard-effective-slot-definition)

*[Primary Method]* **slot-boundp-using-class**  
(*class* funcallable-standard-class) *object*  
(*slot* standard-effective-slot-definition)

These methods implement the full behavior of this generic function for slots with allocation **:instance** and **:class**. If the supplied slot has an allocation other than **:instance** or **:class** an error is signaled.

Overriding these methods is permitted, but may require overriding other methods in the standard implementation of the slot access protocol.

*[Primary Method]* **slot-boundp-using-class** (*class* built-in-class) *object*  
*slot*

This method signals an error.

**Notes:**

In cases where the class metaobject class does not distinguish unbound slots, true should be returned.

*[Generic Function]* **slot-definition-allocation**

*[Generic Function]* **slot-definition-initargs**

*[Generic Function]* **slot-definition-initform**

*[Generic Function]* **slot-definition-initfunction**

*[Generic Function]* **slot-definition-location**

*[Generic Function]* **slot-definition-name**

*[Generic Function]* **slot-definition-readers**

*[Generic Function]* **slot-definition-writers**

*[Generic Function]* **slot-definition-type**

The following generic functions are described together under section 30.2.8: slot-definition-allocation, slot-definition-initargs, slot-definition-

initform, slot-definition-initfunction, slot-definition-location, slot-definition-name, slot-definition-readers, slot-definition-writers and slot-definition-type.

[*Generic Function*] **slot-makunbound-using-class** *class object slot*

**Arguments:**

The *class* argument is a class metaobject. It is the class of the *object* argument.

The *object* argument is an object.

The *slot* argument is an effective slot definition metaobject.

**Values:**

This generic function returns its *object* argument.

**Purpose:**

This generic function implements the behavior of the **slot-makunbound** function. It is called by **slot-makunbound** with the class of *object* as its first argument and the pertinent effective slot definition metaobject as its third argument.

The generic function **slot-makunbound-using-class** restores a slot in an object to its unbound state. The interpretation of “restoring a slot to its unbound state” depends on the class metaobject class.

The results are undefined if the class argument is not the class of the *object* argument, or if the *slot* argument does not appear among the set of effective slots associated with the *class* argument.

**Methods:**

[*Primary Method*] **slot-makunbound-using-class** (*class* standard-class)  
*object* (*slot* standard-effective-slot-definition)

[*Primary Method*] **slot-makunbound-using-class**  
(*class* funcallable-standard-class) *object*  
(*slot* standard-effective-slot-definition)

These methods implement the full behavior of this generic function for slots with allocation **:instance** and **:class**. If the supplied slot has an allocation other than **:instance** or **:class** an error is signaled.

Overriding these methods is permitted, but may require overriding other methods in the standard implementation of the slot access protocol.

[*Primary Method*] **slot-makunbound-using-class** (*class* built-in-class)  
*object slot*

This method signals an error.

[*Generic Function*] **slot-value-using-class** *class object slot*

**Arguments:**

The *class* argument is a class metaobject. It is the class of the *object* argument.

The *object* argument is an object.

The slot argument is an effective slot definition metaobject.

**Values:**

The value returned by this generic function is an object.

**Purpose:**

This generic function implements the behavior of the **slot-value** function. It is called by **slot-value** with the class of *object* as its first argument and the pertinent effective slot definition metaobject as its third argument.

The generic function **slot-value-using-class** returns the value contained in the given slot of the given object. If the slot is unbound **slot-unbound** is called.

The results are undefined if the *class* argument is not the class of the *object* argument, or if the *slot* argument does not appear among the set of effective slots associated with the *class* argument.

**Methods:**

[*Primary Method*] **slot-value-using-class** (*class* standard-class) *object*  
 (*slot* standard-effective-slot-definition)

[*Primary Method*] **slot-value-using-class**  
 (*class* funcallable-standard-class) *object*  
 (*slot* standard-effective-slot-definition)

These methods implement the full behavior of this generic function for slots with allocation **:instance** and **:class**. If the supplied slot has an allocation other than **:instance** or **:class** an error is signaled.

Overriding these methods is permitted, but may require overriding other methods in the standard implementation of the slot access protocol.



*[Primary Method]* **slot-value-using-class** (*class* built-in-class) *object slot*

This method signals an error.

*[Generic Function]* **specializer-direct-generic-functions** *specializer*

**Arguments:**

The *specializer* argument is a specializer metaobject.

**Values:**

The result of this generic function is a possibly empty list of generic function metaobjects.

**Purpose:**

This generic function returns the possibly empty set of those generic functions which have a method with *specializer* as a specializer. The elements of this set are generic function metaobjects. This value is maintained by the generic functions **add-direct-method** and **remove-direct-method**.

**Methods:**

*[Primary Method]* **specializer-direct-generic-functions**  
(*specializer* class)

No behavior is specified for this method beyond that which is specified for the generic function.

This method cannot be overridden unless the following methods are overridden as well:

add-direct-method (class method) remove-direct-method (class method)  
specializer-direct-methods (class)

*[Primary Method]* **specializer-direct-generic-functions**  
(*specializer* **eql-specializer**)

No behavior is specified for this method beyond that which is specified for the generic function.

*[Generic Function]* **specializer-direct-methods** *specializer*

**Arguments:**

The *specializer* argument is a specializer metaobject.

**Values:**

The result of this generic function is a possibly empty list of method metaobjects.

**Purpose:**

This generic function returns the possibly empty set of those methods, connected to generic functions, which have *specializer* as a specializer. The elements of this set are method metaobjects. This value is maintained by the generic functions **add-direct-method** and **remove-direct-method**.

**Methods:**

*[Primary Method]* **specializer-direct-methods** (*specializer* class)

No behavior is specified for this method beyond that which is specified for the generic function.

This method cannot be overridden unless the following methods are overridden as well:

add-direct-method (class method)  
 remove-direct-method (class method)  
 specializer-direct-generic-functions (class)

*[Primary Method]* **specializer-direct-methods**  
 (*specializer* **eql-specializer**)

No behavior is specified for this method beyond that which is specified for the generic function.

*[Function]* **standard-instance-access** *instance location*

**Arguments:**

The *instance* argument is an object.

The *location* argument is a slot location.

**Values:**

The result of this function is an object.

**Purpose:**

This function is called to provide direct access to a slot in an instance. By usurping the normal slot lookup protocol, this function is intended to provide highly optimized access to the slots associated with an instance.

The following restrictions apply to the use of this function:

- The instance argument must be a standard instance (it must have been returned by **allocate-instance (standard-class)**).
- The *instance* argument cannot be a non-updated obsolete instance.
- The *location* argument must be a location of one of the directly accessible slots of the instance's class.
- The slot must be bound.

The results are undefined if any of these restrictions are not met.

[*Generic Function*] **update-dependent** *metaobject dependent &rest initargs*

**Arguments:**

The *metaobject* argument is a class or generic function metaobject. It is the metaobject being reinitialized or otherwise modified.

The *dependent* argument is an object. It is the dependent being updated.

The *initargs* argument is a list of the initialization arguments for the metaobject redefinition.

**Values:**

The value returned by **update-dependent** is unspecified.

**Purpose:**

This generic function is called to update a dependent of *metaobject*.

When a class or a generic function is reinitialized each of its dependents is updated. The *initargs* argument to **update-dependent** is the set of initialization arguments received by **reinitialize-instance**.

When a method is added to a generic function, each of the generic function's dependents is updated. The *initargs* argument is a list of two elements: the symbol **add-method**, and the method that was added.

When a method is removed from a generic function, each of the generic function's dependents is updated. The *initargs* argument is a list of two elements: the symbol **remove-method**, and the method that was removed.

In each case, **map-dependents** is used to call **update-dependent** on each of the dependents. So, for example, the update of a generic function's dependents when a method is added could be performed by the following code:

```
(map-dependents generic-function
  #'(lambda (dep)
      (update-dependent generic-function
        dep
        'add-method
        new-method
```

**Methods:**

There are no specified methods on this generic function.

**Notes:**

See the section 30.1.5 for remarks about the use of this facility.

*[Generic Function]* **validate-superclass** *class superclass*

**Arguments:**

The *class* argument is a class metaobject.

The *superclass* argument is a class metaobject.

**Values:**

This generic function returns true or false.

**Purpose:**

This generic function is called to determine whether the class *superclass* is suitable for use as a superclass of *class*.

This generic function can be called by the implementation or user code. It is called during class metaobject initialization and reinitialization, before the direct superclasses are stored. If this generic function returns false, the initialization or reinitialization will signal an error.

**Methods:**

*[Primary Method]* **validate-superclass** (*class class*) (*superclass class*)

This method returns true in three situations:

- (i) If the superclass argument is the class named *t*,
- (ii) if the class of the class argument is the same as the class of the superclass argument or
- (iii) if the classes one of the arguments is `standard-class` and the class of the other is `funcallable-standard-class`.

In all other cases, this method returns false.

This method can be overridden.

**Notes:**

Defining a method on **validate-superclass** requires detailed knowledge of the internal protocol followed by each of the two class metaobject classes. A method on **validate-superclass** which returns true for two different class metaobject classes declares that they are compatible.

[*Generic Function*] **writer-method-class** *class direct-slot &rest initargs*

**Arguments:**

The *class* argument is a class metaobject.

The *direct-slot* argument is a direct slot definition metaobject.

The *initargs* argument is a list of initialization arguments and values.

**Values:**

The value returned is a class metaobject.

**Purpose:**

This generic function is called to determine the class of writer methods created during class initialization and reinitialization. The result must be a subclass of **standard-writer-method**.

The *initargs* argument must be the same as will be passed to **make-instance** to create the reader method. The *initargs* must include **:slot-definition** with *slot-definition* as its value.

**Methods:**

[*Primary Method*] **writer-method-class** (*class* standard-class)

(*direct-slot* standard-direct-slot-definition) **&rest** *initargs*

[*Primary Method*] **writer-method-class** (*class* funcallable-standard-class)

(*direct-slot* standard-direct-slot-definition) **&rest** *initargs*

These methods returns the class **standard-writer-method**. These methods can be overridden.

Table 30.1: Direct superclass relationships among the specified metaobject classes

Metaobject Class	Direct Superclasses
standard-object	(t)
funcallable-standard-object	(standard-object function)
metaobject	(standard-object)
generic-function	(metaobject funcallable-standard-object)
standard-generic-function	(generic-function)
method	(metaobject)
standard-method	(method)
standard-accessor-method	(standard-method)
standard-reader-method	(standard-accessor-method)
standard-writer-method	(standard-accessor-method)
method-combination	(metaobject)
slot-definition	(metaobject)
direct-slot-definition	(slot-definition)
effective-slot-definition	(slot-definition)
standard-slot-definition	(slot-definition)
standard-direct-slot-definition	(standard-slot-definition direct-slot-definition)
standard-effective-slot-definition	(standard-slot-definition effective-slot-definition)
specializer	(metaobject)
eql-specializer	(specializer)
class	(specializer)
built-in-class	(class)
forward-referenced-class	(class)
standard-class	(class)
funcallable-standard-class	(class)

The class of every class shown is **standard-class** except for the class **t** which is an instance of the class **built-in-class** and the classes **generic-function** and **standard-generic-function** which are instances of the class **funcallable-standard-class**.

[Each class marked with a “\*” is an abstract class and is not intended to be instantiated. The results are undefined if an attempt is made to make an instance of one of these classes with **make-instance**.]

Table 30.2: Initialization arguments and accessors for class metaobjects

<b>Initialization Argument</b>	<b>Generic Function</b>
:direct-default-initargs	class-direct-default-initargs
:direct-slots	class-direct-slots
:direct-superclasses	class-direct-superclasses
:documentation	documentation
:name	class-name

Table 30.3: Initialization arguments and accessors for generic function metaobjects

<b>Initialization Argument</b>	<b>Generic Function</b>
:argument-precedence-order	generic-function-argument-precedence-order
:declarations	generic-function-declarations
:documentation	documentation
:lambda-list	generic-function-lambda-list
:method-combination	generic-function-method-combination
:method-class	generic-function-method-class
:name	generic-function-name

Table 30.4: Initialization arguments and accessors for method metaobjects

<b>Initialization Argument</b>	<b>Generic Function</b>
:qualifiers	method-qualifiers
:lambda-list	method-lambda-list
:specializers	method-specializers
:function	method-function
:slot-definition	accessor-method-slot-definition
:documentation	documentation

Table 30.5: Initialization arguments and accessors for slot definition metaobjects

<b>Initialization Argument</b>	<b>Generic Function</b>
:name	slot-definition-name
:initform	slot-definition-initform
:initfunction	slot-definition-initfunction
:type	slot-definition-type
:allocation	slot-definition-allocation
:initargs	slot-definition-initargs
:readers	slot-definition-readers
:writers	slot-definition-writers
:documentation	documentation

Table 30.6: Initialization arguments and accessors for slot definition metaobjects

	<b>standard-class and funcallable-standard-class</b>	<b>forward-r</b>
class-default-initargs	2	3
class-direct-default-initargs	1	4
class-direct-slots	1	4
class-direct-subclasses	9	9
class-direct-superclasses	1	4
class-finalized-p	2	6
class-name	1	1
<b>class-precedence-list</b>	2	3
class-prototype	10	10
<b>class-slots</b>	2	3



# Bibliography

- [1] Adobe Systems Incorporated. *PostScript Language Reference Manual*. Addison-Wesley (Reading, Massachusetts, 1985).
- [2] Alberga, Cyril N., Bosman-Clark, Chris, Mikelsons, Martin, Van Deusen, Mary S., and Padget, Julian. Experience with an uncommon Lisp. In *Proc. 1986 ACM Conference on Lisp and Functional Programming*. ACM SIGPLAN/SIGACT/SIGART (Cambridge, Massachusetts, August 1986), 39–53.
- [3] *American National Standard Programming Language FORTRAN*, ANSI X3.9-1978 edition. American National Standards Institute, Inc. (New York, 1978).
- [4] Bates, Raymond L., Dyer, David, and Feber, Mark. Recent developments in ISI-Interlisp. In *Proc. 1984 ACM Symposium on Lisp and Functional Programming*. ACM SIGPLAN/SIGACT/SIGART (Austin, Texas, August 1984), 129–139.
- [5] Bobrow, Daniel G., DiMichiel, Linda G., Gabriel, Richard P., Keene, Sonya E., Kiczales, Gregor, and Moon, David A. Common Lisp Object System Specification: X3J13 Document 88-002R. *SIGPLAN Notices* 23 (September 1988).
- [6] Bobrow, Daniel G., DiMichiel, Linda G., Gabriel, Richard P., Keene, Sonya E., Kiczales, Gregor, and Moon, David A. Common Lisp Object System specification: 1. Programmer interface concepts. *Lisp and Symbolic Computation* 1, 3/4 (January 1989), 245–298.
- [7] Bobrow, Daniel G., DiMichiel, Linda G., Gabriel, Richard P., Keene, Sonya E., Kiczales, Gregor, and Moon, David A. Common Lisp Object

- System specification: 2. Functions in the programmer interface. *Lisp and Symbolic Computation* 1, 3/4 (January 1989), 299–394.
- [8] Bobrow, Daniel G., and Kiczales, Gregor. The Common Lisp Object System metaobject kernel: A status report. In *Proc. 1988 ACM Conference on Lisp and Functional Programming*. ACM SIGPLAN/SIGACT/SIGART (Snowbird, Utah, July 1988), 309–315.
- [9] Brooks, Rodney A., and Gabriel, Richard P. A critique of Common Lisp. In *Proc. 1984 ACM Symposium on Lisp and Functional Programming*. ACM SIGPLAN/SIGACT/SIGART (Austin, Texas, August 1984), 1–8.
- [10] Brooks, Rodney A., Gabriel, Richard P., and Steele, Guy L., Jr. S-1 Common Lisp implementation. In *Proc. 1982 ACM Symposium on Lisp and Functional Programming*. ACM SIGPLAN/SIGACT/SIGART (Pittsburgh, Pennsylvania, August 1982), 108–113.
- [11] Brooks, Rodney A., Gabriel, Richard P., and Steele, Guy L., Jr. An optimizing compiler for lexically scoped lisp. In *Proc. 1982 Symposium on Compiler Construction*. ACM SIGPLAN (Boston, June 1982), 261–275. Proceedings published as *ACM SIGPLAN Notices* 17, 6 (June 1982).
- [12] Clinger, William (ed.) *The Revised Revised Report on Scheme; or, An Uncommon Lisp*. AI Memo 848. MIT Artificial Intelligence Laboratory (Cambridge, Massachusetts, August 1985).
- [13] Clinger, William (ed.) *The Revised Revised Report on Scheme; or, An Uncommon Lisp*. Computer Science Department Technical Report 174. Indiana University (Bloomington, Indiana, June 1985).
- [14] Cody, William J., Jr., and Waite, William. *Software Manual for the Elementary Functions*. Prentice-Hall (Englewood Cliffs, New Jersey, 1980).
- [15] Committee, ANSI X3J3. Draft proposed American National Standard Fortran. *ACM SIGPLAN Notices* 11, 3 (March 1976).
- [16] Coonen, Jerome T. Errata for “An implementation guide to a proposed standard for floating-point arithmetic.” *Computer* 14, 3 (March 1981), 62. These are errata for [17].

- [17] Coonen, Jerome T. An implementation guide to a proposed standard for floating-point arithmetic. *Computer* 13, 1 (January 1980), 68–79. Errata for this paper appeared as [16].
- [18] DiMichiel, Linda G. Overview: The Common Lisp Object System. *Lisp and Symbolic Computation* 1, 3/4 (January 1989), 227–244.
- [19] Fateman, Richard J. Reply to an editorial. *ACM SIGSAM Bulletin* 25 (March 1973), 9–11.
- [20] Goldberg, Adele, and Robson, David. *Smalltalk-80: The Language and Its Implementation*. Addison-Wesley (Reading, Massachusetts, 1983).
- [21] Griss, Martin L., Benson, Eric, and Hearn, Anthony C. Current status of a portable LISP compiler. In *Proc. 1982 Symposium on Compiler Construction*. ACM SIGPLAN (Boston, June 1982), 276–283. Proceedings published as *ACM SIGPLAN Notices* 17, 6 (June 1982).
- [22] Harrenstien, Kenneth L. *Time Server*. Request for Comments (RFC) 738 (NIC 42218). ARPANET Network Working Group (October 1977). Available from the ARPANET Network Information Center.
- [23] IEEE Computer Society Standard Committee, Floating-Point Working Group, Microprocessor Standards Subcommittee. A proposed standard for binary floating-point arithmetic. *Computer* 14, 3 (March 1981), 51–62.
- [24] ISO. *Information Processing—Coded Character Sets for Text Communication, Part 2: Latin Alphabetic and Non-alphabetic Graphic Characters*. ISO (1983).
- [25] Kahan, W. Branch cuts for complex elementary functions; or, Much ado about nothing’s sign bit. In Iserles, A., and Powell, M. (eds.), *The State of the Art in Numerical Analysis*. Clarendon Press (1987), 165–211.
- [26] Keene, Sonya E. *Object-Oriented Programming in Common Lisp: A Programmer’s Guide to CLOS*. Addison-Wesley (Reading, Massachusetts, 1989).
- [27] Knuth, Donald E. *Seminumerical Algorithms*. Volume 2 of *The Art of Computer Programming*. Addison-Wesley (Reading, Massachusetts, 1969).

- [28] Knuth, Donald E. *The TEXbook*. Volume A of *Computers and Typesetting*. Addison-Wesley (Reading, Massachusetts, 1986).
- [29] Knuth, Donald E. *TEX: The Program*. Volume B of *Computers and Typesetting*. Addison-Wesley (Reading, Massachusetts, 1986).
- [30] Lamport, Leslie. *LATEX: A Document Preparation System*. Addison-Wesley (Reading, Massachusetts, 1986).
- [31] Marti, J., Hearn, A. C., Griss, M. L., and Griss, C. Standard Lisp report. *ACM SIGPLAN Notices* 14, 10 (October 1979), 48–68.
- [32] McDonnell, E. E. The story of  $\circ$ . *APL Quote Quad* 8, 2 (December 1977), 48–54.
- [33] Moon, David. *MacLISP Reference Manual, Revision 0*. MIT Project MAC (Cambridge, Massachusetts, April 1974).
- [34] Moon, David; Stallman, Richard; and Weinreb, Daniel. *LISP Machine Manual, Fifth Edition*. MIT Artificial Intelligence Laboratory (Cambridge, Massachusetts, January 1983).
- [35] Padget, Julian, et al. Desiderata for the standardisation of Lisp. In *Proc. 1986 ACM Conference on Lisp and Functional Programming*. ACM SIGPLAN/SIGACT/SIGART (Cambridge, Massachusetts, August 1986), 54–66.
- [36] Penfield, Paul, Jr. Principal values and branch cuts in complex APL. In *APL 81 Conference Proceedings*. ACM SIGAPL (San Francisco, September 1981), 248–256. Proceedings published as *APL Quote Quad* 12, 1 (September 1981).
- [37] Pitman, Kent M. *The Revised MacLISP Manual*. MIT/LCS/TR 295. MIT Laboratory for Computer Science (Cambridge, Massachusetts, May 1983).
- [38] Pitman, Kent M. *Exceptional Situations in Lisp*. Working paper 268. MIT Artificial Intelligence Laboratory (Cambridge, Massachusetts).
- [39] Queinnec, Christian, and Cointe, Pierre. An open-ended data representation model for EU\_LISP. In *Proc. 1988 ACM Conference on Lisp and*

- Functional Programming*. ACM SIGPLAN/SIGACT/SIGART (Snowbird, Utah, July 1988), 298–308.
- [40] Rees, Jonathan, Clinger, William, et al. Revised<sup>3</sup> report on the algorithmic language Scheme. *ACM SIGPLAN Notices* 21, 12 (December 1986), 37–79.
- [41] Reiser, John F. *Analysis of Additive Random Number Generators*. Technical Report STAN-CS-77-601. Stanford University Computer Science Department (Palo Alto, California, March 1977).
- [42] Roylance, Gerald. Expressing mathematical subroutines constructively. In *Proc. 1988 ACM Conference on Lisp and Functional Programming*. ACM SIGPLAN/SIGACT/SIGART (Snowbird, Utah, July 1988), 8–13.
- [43] Steele, Guy L., Jr. An overview of Common Lisp. In *Proc. 1982 ACM Symposium on Lisp and Functional Programming*. ACM SIGPLAN/SIGACT/SIGART (Pittsburgh, Pennsylvania, August 1982), 98–107.
- [44] Steele, Guy L., Jr., and Hillis, W. Daniel. Connection Machine Lisp: Fine-grained parallel symbolic processing. In *Proc. 1986 ACM Conference on Lisp and Functional Programming*. ACM SIGPLAN/SIGACT/SIGART (Cambridge, Massachusetts, August 1986), 279–297.
- [45] Steele, Guy Lewis, Jr. *RABBIT: A Compiler for SCHEME (A Study in Compiler Optimization)*. Technical Report 474. MIT Artificial Intelligence Laboratory (Cambridge, Massachusetts, May 1978).
- [46] Steele, Guy Lewis, Jr., and Sussman, Gerald Jay. *The Revised Report on SCHEME: A Dialect of LISP*. AI Memo 452. MIT Artificial Intelligence Laboratory (Cambridge, Massachusetts, January 1978).
- [47] Suzuki, Norihisa. Analysis of pointer “rotation”. *Communications of the ACM* 25, 5 (May 1982), 330–335.
- [48] Swanson, Mark, Kessler, Robert, and Lindstrom, Gary. An implementation of Portable Standard Lisp on the BBN Butterfly. In *Proc. 1988 ACM Conference on Lisp and Functional Programming*. ACM SIGPLAN/SIGACT/SIGART (Snowbird, Utah, July 1988), 132–142.

- [49] Symbolics, Inc. *Signalling and Handling Conditions*. (Cambridge, Massachusetts, 1983).
- [50] Teitelman, Warren, et al. *InterLISP Reference Manual*. Xerox Palo Alto Research Center (Palo Alto, California, 1978). Third revision.
- [51] The Utah Symbolic Computation Group. *The Portable Standard LISP Users Manual*. Technical Report TR-10. Department of Computer Science, University of Utah (Salt Lake City, Utah, January 1982).
- [52] Waters, Richard C. *Optimization of Series Expressions, Part I: User's Manual for the Series Macro Package*. AI Memo 1082. MIT Artificial Intelligence Laboratory (Cambridge, Massachusetts, January 1989).
- [53] Waters, Richard C. *Optimization of Series Expressions, Part II: Overview of the Theory and Implementation*. AI Memo 1083. MIT Artificial Intelligence Laboratory (Cambridge, Massachusetts, January 1989).
- [54] Waters, Richard C. *XP: A Common Lisp Pretty Printing System*. AI Memo 1102. MIT Artificial Intelligence Laboratory (Cambridge, Massachusetts, March 1989).
- [55] Weinreb, Daniel, and Moon, David. *LISP Machine Manual, Fourth Edition*. MIT Artificial Intelligence Laboratory (Cambridge, Massachusetts, July 1981).
- [56] Wholey, Skef, and Fahlman, Scott E. The design of an instruction set for Common Lisp. In *Proc. 1984 ACM Symposium on Lisp and Functional Programming*. ACM SIGPLAN/SIGACT/SIGART (Austin, Texas, August 1984), 150–158.
- [57] Wholey, Skef, and Steele, Guy L., Jr. Connection Machine Lisp: A dialect of Common Lisp for data parallel programming. In Kartashev, Lana P., and Kartashev, Steven I. (eds.), *Proc. Second International Conference on Supercomputing*. Volume III. International Supercomputing Institute (Santa Clara, California, May 1987), 45–54.

**X3J13 Votes**

ADJUST-ARRAY-  
     DISPLACEMENT, 466  
 ADJUST-ARRAY-FILL-  
     POINTER, 465  
 ADJUST-ARRAY-NOT-  
     ADJUSTABLE, 451,  
     452, 460, 464, 465  
 ALLOW-LOCAL-INLINE, 240  
 APPLYHOOK-ENVIROMENT,  
     505, 506  
 ARGUMENTS-  
     UNDERSPECIFIED,  
     399, 443, 473, 564, 569  
 ARRAY-TYPE-ELEMENT-  
     TYPE-SEMANTICS, 54,  
     56, 57, 59, 99, 100, 450  
  
 CHARACTER-PROPOSAL, 131,  
     140, 278, 399, 469, 535,  
     556, 616  
 CLOS, 160, 482  
 CLOS-MACRO-COMPILATION,  
     718  
 CLOSE-CONSTRUCTED-  
     STREAM, 520  
 CLOSED-STREAM-  
     OPERATIONS, 519,  
     676, 678, 681-683, 691,  
     700  
 COLON-NUMBER, 542, 543  
 COMPILE-FILE-HANDLING-  
     OF-TOP-LEVEL-  
     FORMS, 715  
 COMPILE-FILE-PACKAGE, 705  
 COMPILE-FILE-SYMBOL-  
     HANDLING, 705, 720  
 COMPILER-DIAGNOSTICS,  
     704, 705  
 COMPILER-VERBOSITY, 694,  
     695, 704  
 COMPLEX-ATAN-BRANCH-  
     CUT, 312, 315  
 COMPLEX-RATIONAL-  
     RESULT, 303  
 CONDITION-RESTARTS, 971  
 CONSTANT-CIRCULAR-  
     COMPILATION, 120  
 CONSTANT-COLLAPSING, 722  
 CONSTANT-COMPILABLE-  
     TYPES, 120  
 CONSTANT-FUNCTION-  
     COMPILATION, 721  
 CONSTANT-MODIFICATION,  
     722  
 CONTAGION-ON-NUMERICAL-  
     COMPARISONS, 112,  
     293, 442  
 COPY-SYMBOL-COPY-PLIST,  
     255  
 COPY-SYMBOL-PRINT-NAME,  
     255  
  
 DATA-IO, 558, 563, 574-579, 602,  
     908  
 DATA-TYPES-HIERARCHY-  
     UNDERSPECIFIED, 490,  
     835, 922  
 DECLARATION-SCOPE, 228  
 DECLARE-ARRAY-  
     TYPE-ELEMENT-

- REFERENCES, 56
- DECLARE-FUNCTION-  
  AMBIGUITY, 237
- DECLARE-TYPE-FREE, 228,  
  231, 233
- DEFCONSTANT-SPECIAL, 90
- DEFINE-COMPILER-MACRO,  
  213, 273
- DEFINING-MACROS-NON-  
  TOP-LEVEL, 146, 150,  
  158, 216, 482
- DEFMACRO-LAMBDA-LIST,  
  204
- DEFSTRUCT-CONSTRUCTOR-  
  KEY-MIXTURE, 494
- DEFSTRUCT-DEFAULT-  
  VALUE-EVALUATION,  
  485
- DEFSTRUCT-PRINT-  
  FUNCTION-  
  INHERITANCE, 491
- DEFSTRUCT-REDEFINITION,  
  483
- DEFSTRUCT-SLOTS-  
  CONSTRAINTS-NAME,  
  481
- DEFVAR-INIT-TIME, 89
- DESCRIBE-UNDERSPECIFIED,  
  872, 898
- DESTRUCTURING-BIND, 215
- DO-SYMBOLS-DUPLICATES,  
  286, 287
- EQUAL-STRUCTURE, 111
- EVAL-WHEN-NON-TOP-  
  LEVEL, 216
- EXIT-EXTENT, 194
- FIXNUM-NON-PORTABLE, 379,
- 454
- FLET-DECLARATIONS, 160
- FLET-IMPLICIT-BLOCK, 146,  
  149, 214
- FLOAT-UNDERFLOW, 292, 380
- FORMAT-COLON-UPARROW-  
  SCOPE, 637
- FORMAT-COMMA-INTERVAL,  
  613
- FORMAT-E-EXPONENT-SIGN,  
  621
- FORMAT-OP-C, 616
- FORMAT-PRETTY-PRINT, 609,  
  617, 619, 621
- FUNCTION-NAME, 118, 124,  
  131, 133, 237, 239, 883,  
  900
- FUNCTION-TYPE, 55, 105, 120,  
  124, 151, 152, 178, 211,  
  394, 397, 505
- FUNCTION-TYPE-  
  ARGUMENT-TYPE-  
  SEMANTICS, 236, 237
- GENSYM-NAME-STICKINESS,  
  256
- GET-MACRO-CHARACTER-  
  READTABLE, 571
- GET-SETF-METHOD-  
  ENVIRONMENT, 144,  
  149–151
- HASH-TABLE-ACCESS, 446
- HASH-TABLE-PACKAGE-  
  GENERATORS, 445
- HASH-TABLE-SIZE, 442, 443
- HASH-TABLE-TESTS, 442
- IEEE-ATAN-BRANCH-CUT, 305,



- 307, 312–314
- IN-PACKAGE-FUNCTIONALITY, 717
- IN-SYNTAX, 694, 706
- LISP-SYMBOL-REDEFINITION, 273
- LOAD-OBJECTS, 695, 722
- LOAD-TRUENAME, 695, 707
- LOCALLY-TOP-LEVEL, 91
- LOOP-FACILITY, 739
- MACRO-CACHING, 211
- MACRO-ENVIRONMENT-EXTENT, 204, 211, 212
- MAPPING-DESTRUCTIVE-INTERACTION, 174, 178, 183, 286–288, 401–403, 406, 408–410, 412, 413, 415, 416, 420, 431–437, 439, 440, 445, 504, 517, 518
- MORE-CHARACTER-PROPOSAL, 522, 683, 687, 693
- NTH-VALUE, 188
- OPTIMIZE-DEBUG-INFO, 240
- PACKAGE-CLUTTER, 272
- PACKAGE-FUNCTION-CONSISTENCY, 262
- PATHNAME-COMPONENT-CASE, 652, 660, 678, 680, 681
- PATHNAME-COMPONENT-VALUE, 649, 658
- PATHNAME-LOGICAL, 664, 677, 678, 684, 689–692, 694, 701, 705
- PATHNAME-PRINT-READ, 560
- PATHNAME-STREAM, 675–678, 681–683, 688, 690–692, 694, 700, 705
- PATHNAME-SUBDIRECTORY-LIST, 655, 681
- PATHNAME-SYMBOL, 674, 676–678, 681, 682
- PATHNAME-SYNTAX-ERROR-TIME, 680, 682
- PATHNAME-UNSPECIFIC-COMPONENT, 648
- PATHNAME-WILD, 658, 677, 684, 688, 691, 692, 694, 705
- PEEK-CHAR-READ-CHAR-ECHO, 515, 593, 595, 597–599
- PRETTY-PRINT-INTERFACE, 582, 602, 603, 628, 629, 636, 638, 642, 797
- PRINC-CHARACTER, 603
- PRINT-CASE-PRINT-ESCAPE-INTERACTION, 575, 584
- PRINT-CIRCLE-STRUCTURE, 491
- PROCLAIM-ETC-IN-COMPILE-FILE, 717
- PROCLAIM-INLINE-WHERE, 238
- PUSH-EVALUATION-ORDER, 138, 253, 301
- QUOTE-SEMANTICS, 107, 119

- RANGE-OF-COUNT-
  - KEYWORD, 405, 406, 408
- RANGE-OF-START-AND-END-PARAMETERS, 395
- READ-CASE-SENSITIVITY, 535, 572, 575, 585
- REDUCE-ARGUMENT-EXTRACTION, 403
- REMF-DESTRUCTION-UNSPECIFIED, 251–253, 399, 407–409, 435–437
- REQUIRE-PATHNAME-DEFAULTS, 674
  
- SEQUENCE-TYPE-LENGTH, 399–401, 416
- SETF-MULTIPLE-STORE-VARIABLES, 134–137
- SETF-SUB-METHODS, 140
- SHARPSIGN-PLUS-MINUS-PACKAGE, 562
- SPECIAL-TYPE-SHADOWING, 231
- STANDARD-INPUT-INITIAL-BINDING, 513
- STREAM-ACCESS, 518, 683
- STREAM-CAPABILITIES, 521
- STRING-COERCION, 471–475
- SUBSEQ-OUT-OF-BOUNDS, 395
- SUBTYPEP-TOO-VAGUE, 99
- SYMBOL-MACROLET-
  - DECLARE, 160, 919, 921
- SYMBOL-MACROLET-SEMANTICS, 134, 160, 161, 188, 212, 919, 921
- SYNTACTIC-ENVIRONMENT-
  - ACCESS, 215
- UNREAD-CHAR-AFTER-PEEK-CHAR, 597
- VARIABLE-LIST-ASYMMETRY, 170
- WITH-OPEN-FILE-DOES-NOT-EXIST, 689
- ZLOS-CONDITIONS, 942, 945, 959, 978

## Symbols

- '
  - macro character, 548
- #
  - macro character, 553
- #\
  - macro character, 554
- "
  - macrocharacter, 549
- (
  - macro character, 546
- (setf class-name)
  - function, 1077
  - generic function, 877
  - primary method, 877
- (setf documentation)
  - generic function, 899
  - primary method, 899, 900
- (setf generic-function-name)
  - function, 1078
- (setf slot-value-using-class)
  - generic function, 1078
  - primary method, 1079
- )
  - macro character, 547
- \*
  - function, 299
  - variable, 508
- \*\*
  - variable, 508
- \*\*\*
  - variable, 508
- \*applyhook\*
  - variable, 504
- \*break-on-signals\*
  - variable, 948
- \*compile-file-pathname\*
  - variable, 707
- \*compile-file-truename\*
  - variable, 707
- \*compile-print\*
  - variable, 707
- \*compile-verbose\*
  - variable, 707
- \*debug-io\*
  - variable, 512
- \*debugger-hook\*
  - variable, 977
- \*default-pathname-defaults\*
  - variable, 680
- \*error-output\*
  - variable, 512
- \*evalhook\*
  - variable, 504
- \*features\*
  - variable, 735
- \*gensym-counter\*
  - variable, 256
- \*load-pathname\*
  - variable, 695
- \*load-print\*
  - variable, 695
- \*load-truename\*
  - variable, 695
- \*load-verbose\*
  - variable, 695
- \*macroexpand-hook\*
  - variable, 212
- \*package\*
  - variable, 948

- variable, 275
- \*print-array\*
  - variable, 589
- \*print-base\*
  - variable, 583
- \*print-case\*
  - variable, 583
- \*print-circle\*
  - variable, 582
- \*print-escape\*
  - variable, 581
- \*print-gensym\*
  - variable, 588
- \*print-length\*
  - variable, 588
- \*print-level\*
  - variable, 588
- \*print-lines\*
  - variable, 799
- \*print-miser-width\*
  - variable, 799
- \*print-pprint-dispatch\*
  - variable, 798
- \*print-pretty\*
  - variable, 582
- \*print-radix\*
  - variable, 583
- \*print-readably\*
  - variable, 580
- \*print-right-margin\*
  - variable, 798
- \*query-io\*
  - variable, 512
- \*random-state\*
  - variable, 377
- \*read-base\*
  - variable, 543
- \*read-default-float-format\*
  - variable, 593
- \*read-eval\*
  - variable, 545
- \*read-suppress\*
  - variable, 544
- \*readtable\*
  - variable, 563
- \*sample-variable\*
  - variable, 7
- \*standard-input\*
  - variable, 511
- \*standard-output\*
  - variable, 512
- \*terminal-io\*
  - variable, 512
- \*trace-output\*
  - variable, 513
- +
- function, 299
- variable, 508
- ++
- variable, 508
- +++
- variable, 508
- ,
- macro character, 553
- 
- function, 299
- variable, 508
- /
- function, 299
- variable, 509
- //
- variable, 509
- ///
- variable, 509
- /=
- function, 296

- ;
- macro character, 548
- ::
- macro character, 549
- :::
- macro character, 549
- ::::
- macro character, 549
- <
- function, 296
- <=
- function, 296
- =
- function, 296
- >
- function, 296
- >=
- function, 296
- ‘
- macro character, 549
- 1+
- function, 300
- 1-
- function, 300
- abort
- function, 974
- abs
- function, 306
- accessor-method-slot-definition
- generic function, 1061, 1068
- primary method, 1069
- acons
- function, 438
- acos
- function, 309
- acosh
- function, 311
- add-dependent
- generic function, 1018
- primary method, 1019, 1020
- add-direct-method
- generic function, 1020
- primary method, 1020, 1021
- add-direct-subclass
- generic function, 1021
- primary method, 1021
- add-method
- generic function, 1022
- generic function, 872
- primary method, 1023
- primary method, 872
- adjoin
- function, 433
- adjust-array
- function, 464
- adjustable-array-p
- function, 459
- allocate-instance
- generic function, 1023
- primary method, 1023, 1024
- alpha-char-p
- function, 385
- alphanumericp
- function, 387
- always
- loop clause, 767
- and
- macro, 113
- append
- function, 424
- loop clause, 773
- appending
- loop clause, 773
- apply
- function, 151
- applyhook

- function, 506
- apropos
  - function, 728
- apropos-list
  - function, 728
- aref
  - function, 454
- arithmetic-error
  - type, 983
- arithmetic-error-operands
  - function, 983
- arithmetic-error-operation
  - function, 983
- array, 32
- array-dimension
  - function, 456
- array-dimension-limit
  - constant, 453
- array-dimensions
  - function, 456
- array-displacement
  - function, 460
- array-element-type
  - function, 455
- array-has-fill-pointer-p
  - function, 463
- array-in-bounds-p
  - function, 457
- array-rank
  - function, 456
- array-rank-limit
  - constant, 453
- array-row-major-index
  - function, 457
- array-total-size
  - function, 456
- array-total-size-limit
  - constant, 454
- arrayp
  - function, 104
- as
  - loop clause, 757, 759–763
- ash
  - function, 371
- asin
  - function, 309
- asinh
  - function, 311
- assert
  - macro, 950
- assoc
  - function, 438
- assoc-if
  - function, 438
- assoc-if-not
  - function, 438
- atan
  - function, 310
- atanh
  - function, 311
- atom
  - function, 102
- augment-environment
  - function, 220
- bit
  - function, 460
- bit-and
  - function, 460
- bit-andc1
  - function, 461
- bit-andc2
  - function, 461
- bit-eqv
  - function, 461
- bit-ior
  - function, 461

- bit-nand
  - function, 461
- bit-nor
  - function, 461
- bit-not
  - function, 462
- bit-orc1
  - function, 461
- bit-orc2
  - function, 461
- bit-vector-p
  - function, 104
- bit-xor
  - function, 461
- block
  - special operator, 166
- boole
  - function, 369
- boole-1
  - constant, 369
- boole-2
  - constant, 369
- boole-and
  - constant, 369
- boole-andc1
  - constant, 369
- boole-andc2
  - constant, 369
- boole-c1
  - constant, 369
- boole-c2
  - constant, 369
- boole-clr
  - constant, 369
- boole-eqv
  - constant, 369
- boole-ior
  - constant, 369
- boole-nand
  - constant, 369
- boole-nor
  - constant, 369
- boole-orc1
  - constant, 370
- boole-orc2
  - constant, 370
- boole-set
  - constant, 369
- boole-xor
  - constant, 369
- both-case-p
  - function, 386
- boundp
  - function, 124
- break
  - function, 975
- broadcast-stream-streams
  - function, 521
- butlast
  - function, 428
- byte
  - function, 373
- byte-position
  - function, 373
- byte-size
  - function, 373
- caaaaar
  - function, 418
- caaaadr
  - function, 418
- caaar
  - function, 418
- caadar
  - function, 418
- caaddr
  - function, 418

- caadr
  - function, 418
- caar
  - function, 418
- cadaar
  - function, 418
- cadadr
  - function, 418
- cadar
  - function, 418
- caddar
  - function, 418
- cadddr
  - function, 418
- caddr
  - function, 418
- cadr
  - function, 418
- call-arguments-limit
  - constant, 152
- call-method
  - macro, 872
- call-next-method
  - function, 873
- car
  - function, 417
- case
  - macro, 164
- catch
  - special operator, 192
- ccase
  - macro, 954
- cdaaar
  - function, 418
- cdaadr
  - function, 418
- cdaar
  - function, 418
- cdadar
  - function, 418
- cdaddr
  - function, 418
- cdadr
  - function, 418
- cdar
  - function, 418
- cdbaar
  - function, 418
- cddadr
  - function, 418
- cddar
  - function, 418
- cdddar
  - function, 418
- cddddr
  - function, 418
- cdddr
  - function, 418
- cddr
  - function, 418
- cdr
  - function, 417
- ceiling
  - function, 361
- cell-error
  - type, 982
- cell-error-name
  - function, 982
- cerror
  - function, 947
- change-class
  - generic function, 875
  - primary method, 875
- char
  - function, 470
- char-code



- function, 390
- char-code-limit
  - constant, 383
- char-downcase
  - function, 390
- char-equal
  - function, 389
- char-greaterp
  - function, 389
- char-int
  - function, 391
- char-lessp
  - function, 389
- char-name
  - function, 391
- char-not-equal
  - function, 389
- char-not-greaterp
  - function, 389
- char-not-lessp
  - function, 389
- char-upcase
  - function, 390
- char/=
  - function, 387
- char<
  - function, 387
- char<=
  - function, 387
- char=
  - function, 387
- char>
  - function, 387
- char>=
  - function, 387
- character
  - function, 390
- characterp
  - function, 103
- check-type
  - macro, 949
- cis
  - function, 308
- class-default-initargs
  - generic function, 1024, 1062
- class-direct-default-initargs
  - generic function, 1024, 1062
- class-direct-slots
  - generic function, 1024, 1062
- class-direct-subclasses
  - generic function, 1024, 1063
- class-direct-superclasses
  - generic function, 1024, 1063
- class-finalized-p
  - generic function, 1024, 1063
- class-name
  - generic function, 1024, 1063
  - generic function, 877
  - primary method, 877
- class-of
  - function, 877
- class-precedence-list
  - generic function, 1024, 1063
- class-prototype
  - generic function, 1024, 1064
- class-slots
  - generic function, 1064
- cleanup handler, 192
- clear-input
  - function, 600
- clear-output
  - function, 605
- close
  - function, 519
- closure, 120
- clrhash

- function, 445
- code-char
  - function, 390
- coerce
  - function, 65
- collect
  - loop clause, 772
- collecting
  - loop clause, 772
- comments, 548
- compile
  - function, 703
- compile-file
  - function, 705
- compile-file-pathname
  - function, 669
- compiled-function-p
  - function, 105
- compiler-macro-function
  - function, 214
- compiler-macroexpand
  - function, 214
- compiler-macroexpand-1
  - function, 214
- complement
  - function, 397
- complex
  - function, 366
- complexp
  - function, 103
- compute-applicable-methods
  - function, 877
  - generic function, 1024
  - primary method, 1025
- compute-applicable-methods-using-classes
  - generic function, 1025
  - primary method, 1026
- compute-class-precedence-list
  - generic function, 1027
  - primary method, 1028
- compute-default-initargs
  - generic function, 1028
  - primary method, 1029
- compute-discriminating-function
  - generic function, 1029
  - primary method, 1030
- compute-effective-method
  - generic function, 1030
  - primary method, 1031
- compute-effective-slot-definition
  - generic function, 1031
  - primary method, 1032
- compute-restarts
  - function, 971
- compute-slots
  - around method, 1033, 1034, 1072
  - generic function, 1032
  - primary method, 1033
- concatenate
  - function, 400
- concatenated-stream-streams
  - function, 521
- cond
  - macro, 163
- condition
  - type, 978
- conjugate
  - function, 301
- cons, 30
  - function, 419
- consp
  - function, 102
- constantly
  - function, 735

- constantp
  - function, 507
- continue
  - function, 974
- control-error
  - type, 981
- copy-alist
  - function, 424
- copy-list
  - function, 424
- copy-pprint-dispatch
  - function, 816
- copy-readtable
  - function, 563
- copy-seq
  - function, 398
- copy-symbol
  - function, 255
- copy-tree
  - function, 424
- cos
  - function, 308
- cosh
  - function, 311
- count
  - function, 412
  - loop clause, 773
- count-if
  - function, 412
- count-if-not
  - function, 412
- counting
  - loop clause, 773
- ctypcase
  - macro, 953
- defc
  - macro, 300
- declaim
  - macro, 232
- declaration-information
  - function, 219
- declare
  - special operator, 225
- decode-float
  - function, 364
- decode-universal-time
  - function, 731
- defclass
  - macro, 878
- defconstant
  - macro, 88
- defgeneric
  - macro, 882
- define-compiler-macro
  - macro, 213
- define-condition
  - macro, 958
- define-declaration
  - macro, 221
- define-method-combination
  - macro, 886
- define-modify-macro
  - macro, 143
- define-setf-method
  - macro, 148
- define-symbol-macro
  - macro, 161
- defmacro
  - macro, 203
- defmethod
  - macro, 896
- defpackage
  - macro, 281
- defparameter
  - macro, 88
- defsetf
  - macro, 232

- macro, 144
- defstruct
  - macro, 480
- deftype
  - macro, 63
- defun
  - macro, 87
- defvar
  - macro, 88
- delete
  - function, 406
- delete-duplicates
  - function, 407
- delete-file
  - function, 690
- delete-if
  - function, 406
- delete-if-not
  - function, 406
- delete-package
  - function, 277
- denominator
  - function, 361
- deposit-field
  - function, 374
- describe
  - function, 724
- describe-object
  - generic function, 725
  - primary method, 725
- destructuring-bind
  - macro, 212
- digit-char
  - function, 391
- digit-char-p
  - function, 386
- direct-slot-definition-class
  - generic function, 1034
  - primary method, 1034
- directory
  - function, 700
- directory-namestring
  - function, 681
- disassemble
  - function, 709
- division-by-zero
  - type, 983
- do
  - loop clause, 786
  - macro, 169, 170
- do\*
  - macro, 169, 170
- do-all-symbols
  - macro, 287
- do-external-symbols
  - macro, 287
- do-symbols
  - macro, 286
- documentation
  - generic function, 898
  - primary method, 898
- doing
  - loop clause, 786
- dolist
  - macro, 174
- dotimes
  - macro, 174
- double-float-epsilon
  - constant, 381
- double-float-negative-epsilon
  - constant, 381
- dpb
  - function, 374
- dribble
  - function, 727
- dynamic exit, 192

- ecase
  - macro, 954
- echo-stream-input-stream
  - function, 521
- echo-stream-output-stream
  - function, 521
- ed
  - function, 726
- effective-slot-definition-class
  - generic function, 1034
  - primary method, 1035
- eighth
  - function, 422
- elt
  - function, 398
- enclose
  - function, 223
- encode-universal-time
  - function, 732
- end-of-file
  - type, 982
- endp
  - function, 420
- enough-namestring
  - function, 681
- ensure-class
  - function, 1035
- ensure-class-using-class
  - generic function, 1036
  - primary method, 1037, 1038
- ensure-directories-exist
  - function, 701
- ensure-generic-function
  - function, 900, 1038
- ensure-generic-function-using-class
  - generic function, 1039
  - primary method, 1040
- eq
  - function, 106
- eql
  - function, 108
- eql-specializer-object
  - function, 1040
- equal
  - function, 109
- equalp
  - function, 110
- error
  - function, 946
  - type, 979
- etypecase
  - macro, 952
- eval
  - function, 504
- eval-when
  - special operator, 91
- evalhook
  - function, 505
- evenp
  - function, 296
- every
  - function, 401
- exp
  - function, 303
- export
  - function, 279
- expt
  - function, 303
- extract-lambda-list
  - function, 1041
- extract-specializer-names
  - function, 1041
- f
  - generic function, 870
  - primary method, 870

- fboundp
  - function, 125
- fceiling
  - function, 363
- fdefinition
  - function, 124
- ffloor
  - function, 363
- fifth
  - function, 421
- file-author
  - function, 691
- file-error
  - type, 982
- file-error-pathname
  - function, 982
- file-length
  - function, 693
- file-namestring
  - function, 681
- file-position
  - function, 692
- file-string-length
  - function, 693
- file-write-date
  - function, 691
- fill
  - function, 404
- fill-pointer
  - function, 463
- finalize-inheritance
  - generic function, 1042
  - primary method, 1042, 1043
- finally
  - loop clause, 793
- find
  - function, 410
- find-all-symbols
  - function, 286
- find-class
  - function, 901
- find-if
  - function, 410
- find-if-not
  - function, 410
- find-method
  - generic function, 902
  - primary method, 902
- find-method-combination
  - generic function, 1043
- find-package
  - function, 275
- find-restart
  - function, 972
- find-symbol
  - function, 278
- finish-output
  - function, 604
- first
  - function, 421
- flet
  - special operator, 157
- float
  - function, 360
- float-digits
  - function, 364
- float-precision
  - function, 364
- float-radix
  - function, 364
- float-sign
  - function, 364
- floating-point-overflow
  - type, 983
- floating-point-underflow
  - type, 984

- floatp
  - function, 103
- floor
  - function, 361
- fmakunbound
  - function, 127
- for
  - loop clause, 757, 759–763
- force-output
  - function, 605
- format
  - function, 606
- formatter
  - macro, 815
- fourth
  - function, 421
- fresh-line
  - function, 604
- fround
  - function, 364
- ftruncate
  - function, 364
- funcall
  - function, 152
- funcallable-standard-instance-
  - access
  - function, 1043
- function
  - special operator, 120
- function-information
  - function, 217
- function-keywords
  - generic function, 902
  - primary method, 902
- function-lambda-expression
  - function, 709
- functionp
  - function, 105
- gcd
  - function, 301
- generic-function
  - macro, 902
- generic-function-argument-
  - precedence-order
  - generic function, 1044, 1065
  - primary method, 1067
- generic-function-declarations
  - generic function, 1044, 1066
  - primary method, 1067
- generic-function-lambda-list
  - generic function, 1044, 1066
  - primary method, 1067
- generic-function-method-class
  - generic function, 1066
  - primary method, 1067
- generic-function-method-
  - combination
  - generic function, 1044, 1066
  - primary method, 1067
- generic-function-methods
  - generic function, 1044, 1066
  - primary method, 1067
- generic-function-name
  - generic function, 1044, 1066
  - primary method, 1067
- gensym
  - function, 255
- gentemp
  - function, 256
- get
  - function, 250
- get-decoded-time
  - function, 731
- get-dispatch-macro-character
  - function, 569
- get-internal-real-time

- function, 732
- get-internal-run-time
  - function, 732
- get-macro-character
  - function, 565
- get-output-stream-string
  - function, 516
- get-properties
  - function, 253
- get-setf-method
  - function, 150
- get-setf-method-multiple-value
  - function, 150
- get-universal-time
  - function, 731
- getf
  - function, 252
- gethash
  - function, 443
- gf1
  - generic function, 1018
  - primary method, 1018
- go
  - special operator, 182
- graphic-char-p
  - function, 385
- handler-bind
  - macro, 958
- handler-case
  - macro, 955
- hash-table-count
  - function, 445
- hash-table-p
  - function, 443
- hash-table-rehash-size
  - function, 446
- hash-table-rehash-threshold
  - function, 446
- hash-table-size
  - function, 446
- hash-table-test
  - function, 446
- host-namestring
  - function, 681
- identity
  - function, 735
- if
  - loop clause, 781
  - special operator, 162
- ignore-errors
  - macro, 957
- imagpart
  - function, 366
- implicit **progn**, 117, 170
- import
  - function, 280
- in-package
  - macro, 275
- incf
  - macro, 300
- initialize-instance
  - generic function, 903
  - primary method, 903
- initially
  - loop clause, 793
- input-stream-p
  - function, 518
- inspect
  - function, 726
- integer, 17
- integer-decode-float
  - function, 364
- integer-length
  - function, 372
- integerp
  - function, 103



- interactive-stream-p
  - function, 521
- intern
  - function, 278
- intern-eql-specializer
  - function, 1056
- internal-time-units-per-second
  - constant, 732
- intersection
  - function, 435
- invalid-method-error
  - function, 904
- invoke-debugger
  - function, 976
- invoke-restart
  - function, 972
- invoke-restart-interactively
  - function, 972
- isqrt
  - function, 305
- iteration, 168
- keywordp
  - function, 257
- labels
  - special operator, 157
- lambda
  - macro, 736
- lambda-expression, 78
- lambda-list, 78
- lambda-list-keywords
  - constant, 85
- lambda-parameters-limit
  - constant, 86
- last
  - function, 422
- lcm
  - function, 301
- ldb
  - function, 373
- ldb-test
  - function, 373
- ldiff
  - function, 428
- least-negative-double-float
  - constant, 380
- least-negative-long-float
  - constant, 380
- least-negative-normalized-double-float
  - constant, 381
- least-negative-normalized-long-float
  - constant, 381
- least-negative-normalized-short-float
  - constant, 380
- least-negative-normalized-single-float
  - constant, 381
- least-negative-short-float
  - constant, 379
- least-negative-single-float
  - constant, 380
- least-positive-double-float
  - constant, 380
- least-positive-long-float
  - constant, 380
- least-positive-normalized-double-float
  - constant, 381
- least-positive-normalized-long-float
  - constant, 381
- least-positive-normalized-short-float
  - constant, 380

- least-positive-normalized-single-float
  - constant, 381
- least-positive-short-float
  - constant, 379
- least-positive-single-float
  - constant, 380
- length
  - function, 398
- let
  - special operator, 154
- let\*
  - special operator, 156
- lisp-implementation-type
  - function, 733
- lisp-implementation-version
  - function, 733
- list
  - function, 423
- list\*
  - function, 423
- list-all-packages
  - function, 277
- list-length
  - function, 420
- listen
  - function, 599
- listp
  - function, 102
- load
  - function, 693
- load-logical-pathname-translations
  - function, 669
- load-time-value
  - special operator, 707
- locally
  - special operator, 230
- log
  - function, 304
- logand
  - function, 368
- logandc1
  - function, 368
- logandc2
  - function, 368
- logbitp
  - function, 371
- logcount
  - function, 371
- logeqv
  - function, 368
- logical-pathname
  - class, 664
  - function, 667
- logical-pathname-translations
  - function, 668
- logior
  - function, 368
- lognand
  - function, 368
- lognor
  - function, 368
- lognot
  - function, 370
- logorc1
  - function, 368
- logorc2
  - function, 368
- logtest
  - function, 371
- logxor
  - function, 368
- long-float-epsilon
  - constant, 381
- long-float-negative-epsilon

- constant, 381
- long-site-name
  - function, 734
- loop
  - macro, 168
- loop-finish
  - macro, 770
- lower-case-p
  - function, 386
- machine-instance
  - function, 734
- machine-type
  - function, 733
- machine-version
  - function, 734
- macro character, 546
- macro-function
  - function, 202
- macroexpand
  - function, 211
- macroexpand-1
  - function, 211
- macrolet
  - special operator, 157
- make-array
  - function, 449
- make-broadcast-stream
  - function, 514
- make-concatenated-stream
  - function, 515
- make-condition
  - function, 961
- make-dispatch-macro-character
  - function, 569
- make-echo-stream
  - function, 515
- make-hash-table
  - function, 442
- make-instance
  - generic function, 1057
  - generic function, 904
  - primary method, 1057
  - primary method, 904
- make-instances-obsolete
  - generic function, 905
  - primary method, 905
- make-list
  - function, 424
- make-load-form
  - generic function, 696
- make-load-form-saving-slots
  - function, 699
- make-method-lambda
  - generic function, 1057
  - primary method, 1059
- make-package
  - function, 275
- make-pathname
  - function, 680
- make-random-state
  - function, 377
- make-sequence
  - function, 399
- make-string
  - function, 473
- make-string-input-stream
  - function, 516
- make-string-output-stream
  - function, 516
- make-symbol
  - function, 255
- make-synonym-stream
  - function, 514
- make-two-way-stream
  - function, 515
- makunbound

- function, 127
- map
  - function, 400
- map-dependents
  - generic function, 1060
  - primary method, 1060, 1061
- map-into
  - function, 401
- mapc
  - function, 176
- mapcan
  - function, 176
- mapcar
  - function, 176
- mapcon
  - function, 176
- maphash
  - function, 444
- mapl
  - function, 176
- maplist
  - function, 176
- mapping, 176
- mask-field
  - function, 374
- max
  - function, 298
- maximize
  - loop clause, 775
- maximizing
  - loop clause, 775
- member
  - function, 432
- member-if
  - function, 432
- member-if-not
  - function, 432
- merge
  - function, 415
- merge-pathnames
  - function, 678
- method-combination-error
  - function, 905
- method-function
  - generic function, 1061, 1068
  - primary method, 1069
- method-generic-function
  - generic function, 1061, 1068
  - primary method, 1069
- method-lambda-list
  - generic function, 1061, 1068
  - primary method, 1069
- method-qualifiers
  - generic function, 1061, 1068
  - generic function, 906
  - primary method, 1069
  - primary method, 906
- method-specializers
  - generic function, 1061, 1068
  - primary method, 1069
- min
  - function, 298
- minimize
  - loop clause, 775
- minimizing
  - loop clause, 775
- minusp
  - function, 295
- mismatch
  - function, 412
- mod
  - function, 363
- most-negative-double-float
  - constant, 380
- most-negative-fixnum
  - constant, 379

- most-negative-long-float
  - constant, 380
- most-negative-short-float
  - constant, 379
- most-negative-single-float
  - constant, 380
- most-positive-double-float
  - constant, 380
- most-positive-fixnum
  - constant, 379
- most-positive-long-float
  - constant, 380
- most-positive-short-float
  - constant, 379
- most-positive-single-float
  - constant, 380
- muffle-warning
  - function, 974
- multiple values, 185
- multiple-value-bind
  - macro, 188
- multiple-value-call
  - special operator, 187
- multiple-value-list
  - macro, 187
- multiple-value-prog1
  - special operator, 188
- multiple-value-setq
  - macro, 188
- multiple-values-limit
  - constant, 187
- name-char
  - function, 392
- named
  - loop clause, 794
- namestring
  - function, 681
- nbutlast
  - function, 428
- nconc
  - function, 425
  - loop clause, 773
- nconcing
  - loop clause, 773
- never
  - loop clause, 767
- next-method-p
  - function, 906
- nil
  - constant, 98
- nintersection
  - function, 435
- ninth
  - function, 422
- no-applicable-method
  - generic function, 906
  - primary method, 906
- no-next-method
  - generic function, 907
  - primary method, 907
- non-local exit, 192
- not
  - function, 113
- notany
  - function, 401
- notevery
  - function, 402
- nreconc
  - function, 426
- nreverse
  - function, 399
- nset-difference
  - function, 436
- nset-exclusive-or
  - function, 436
- nstring-capitalize

- function, 475
- nstring-downcase
  - function, 475
- nstring-upcase
  - function, 475
- nsublis
  - function, 432
- nsubst
  - function, 431
- nsubst-if
  - function, 431
- nsubst-if-not
  - function, 431
- nsubstitute
  - function, 409
- nsubstitute-if
  - function, 409
- nsubstitute-if-not
  - function, 409
- nth
  - function, 421
- nth-value
  - macro, 188
- nthcdr
  - function, 422
- null
  - function, 101
- numberp
  - function, 102
- numerator
  - function, 361
- nunion
  - function, 434
- oddp
  - function, 296
- open
  - function, 683
- open-stream-p
  - function, 518
- or
  - macro, 114
- output-stream-p
  - function, 519
- package-error
  - type, 981
- package-error-package
  - function, 981
- package-name
  - function, 276
- package-nicknames
  - function, 276
- package-shadowing-symbols
  - function, 277
- package-use-list
  - function, 276
- package-used-by-list
  - function, 276
- packagep
  - function, 105
- pairlis
  - function, 438
- parse-integer
  - function, 601
- parse-macro
  - function, 222
- parse-namestring
  - function, 677
- parsing, 546
- pathname
  - function, 675
- pathname-device
  - function, 681
- pathname-directory
  - function, 681
- pathname-host
  - function, 681

- pathname-match-p
  - function, 659
- pathname-name
  - function, 681
- pathname-type
  - function, 681
- pathname-version
  - function, 681
- pathnamep
  - function, 681
- peek-char
  - function, 599
- phase
  - function, 306
- pi
  - constant, 311
- plusp
  - function, 295
- pop
  - macro, 427
- position
  - function, 410
- position-if
  - function, 410
- position-if-not
  - function, 410
- pprint
  - function, 602
- pprint-dispatch
  - function, 817
- pprint-exit-if-list-exhausted
  - macro, 804
- pprint-fill
  - function, 806
- pprint-indent
  - function, 805
- pprint-linear
  - function, 806
- pprint-logical-block
  - macro, 802
- pprint-newline
  - function, 801
- pprint-pop
  - macro, 804
- pprint-tab
  - function, 805
- pprint-tabular
  - function, 806
- prin1
  - function, 602
- prin1-to-string
  - function, 603
- princ
  - function, 603
- princ-to-string
  - function, 603
- print
  - function, 602
- print name, 469
- print-object
  - generic function, 907
  - primary method, 907
- print-unreadable-object
  - macro, 605
- printed representation, 524
- printer, 524
- probe-file
  - function, 690
- proclaim
  - function, 230
- prog
  - macro, 180
- prog\*
  - macro, 180
- prog1
  - macro, 153

- prog2
  - macro, 154
- progn
  - special operator, 153
- program-error
  - type, 981
- progv
  - special operator, 157
- psetf
  - macro, 135
- psetq
  - macro, 126
- push
  - macro, 426
- pushnew
  - macro, 427
- quote
  - special operator, 119
- random
  - function, 375
- random-state-p
  - function, 379
- rassoc
  - function, 439
- rassoc-if
  - function, 439
- rassoc-if-not
  - function, 439
- ratio, 18
- rational, 18
  - function, 360
- rationalize
  - function, 360
- rationalp
  - function, 103
- read
  - function, 592
- read-byte
  - function, 601
- read-char
  - function, 597
- read-char-no-hang
  - function, 599
- read-delimited-list
  - function, 594
- read-from-string
  - function, 600
- read-line
  - function, 596
- read-preserving-whitespace
  - function, 593
- read-sequence
  - function, 601
- reader, 524, 526
- reader-method-class
  - generic function, 1072
  - primary method, 1073
- readtable-case
  - function, 571
- readtablep
  - function, 564
- realp
  - function, 103
- realpart
  - function, 366
- reduce
  - function, 402
- reinitialize-instance
  - generic function, 909
  - primary method, 909
- rem
  - function, 363
- remf
  - macro, 253
- remhash
  - function, 444



- remove
  - function, 405
- remove-dependent
  - generic function, 1073
  - primary method, 1073, 1074
- remove-direct-method
  - generic function, 1074
  - primary method, 1075
- remove-direct-subclass
  - generic function, 1076
  - primary method, 1076
- remove-duplicates
  - function, 407
- remove-if
  - function, 405
- remove-if-not
  - function, 405
- remove-method
  - generic function, 1076
  - generic function, 909
  - primary method, 1077
  - primary method, 909
- remprop
  - function, 251
- rename-file
  - function, 690
- rename-package
  - function, 276
- repeat
  - loop clause, 765
- replace
  - function, 404
- rest
  - function, 422
- restart
  - type, 978
- restart-bind
  - macro, 970
- restart-case
  - macro, 964
- restart-name
  - function, 971
- return
  - loop clause, 788
  - macro, 167
- return-from
  - special operator, 167
- revappend
  - function, 425
- reverse
  - function, 398
- room
  - function, 726
- rotatef
  - macro, 137
- round
  - function, 361
- row-major-aref
  - function, 457
- rplaca
  - function, 429
- rplacd
  - function, 429
- sample-constant
  - constant, 7
- sample-function
  - function, 7
- sample-macro
  - macro, 8
- sample-special-form
  - special operator, 8
- sbit
  - function, 460
- scale-float
  - function, 364
- schar

- function, 470
- search
  - function, 413
- second
  - function, 421
- serious-condition
  - type, 978
- set
  - function, 127
- set-difference
  - function, 436
- set-dispatch-macro-character
  - function, 569
- set-exclusive-or
  - function, 436
- set-funcallable-instance-function
  - function, 1077
- set-macro-character
  - function, 565
- set-pprint-dispatch
  - function, 817
- set-syntax-from-char
  - function, 564
- setf
  - macro, 129
- setq
  - special operator, 126
- seventh
  - function, 422
- shadow
  - function, 280
- shadowing-import
  - function, 280
- shared-initialize
  - generic function, 910
  - primary method, 910
- shiftf
  - macro, 135
- short-float-epsilon
  - constant, 381
- short-float-negative-epsilon
  - constant, 381
- short-site-name
  - function, 734
- signal
  - function, 947
- signum
  - function, 308
- simple-bit-vector-p
  - function, 104
- simple-condition
  - type, 979
- simple-condition-format-arguments
  - function, 980
- simple-condition-format-control
  - function, 980
- simple-error
  - type, 979
- simple-string-p
  - function, 104
- simple-type-error
  - type, 980
- simple-vector-p
  - function, 104
- simple-warning
  - type, 979
- sin
  - function, 308
- single-float-epsilon
  - constant, 381
- single-float-negative-epsilon
  - constant, 381
- sinh
  - function, 311
- sixth

- function, 422
- sleep
  - function, 733
- slot-boundp
  - function, 912
- slot-boundp-using-class
  - generic function, 1079
  - primary method, 1080
- slot-definition-allocation
  - generic function, 1070, 1080
  - primary method, 1071
- slot-definition-initargs
  - generic function, 1070, 1080
  - primary method, 1071
- slot-definition-initform
  - generic function, 1070, 1080
  - primary method, 1071
- slot-definition-initfunction
  - generic function, 1070, 1080
  - primary method, 1071
- slot-definition-location
  - generic function, 1072, 1080
  - primary method, 1072
- slot-definition-name
  - generic function, 1070, 1080
  - primary method, 1071
- slot-definition-readers
  - generic function, 1071, 1080
  - primary method, 1072
- slot-definition-type
  - generic function, 1071, 1080
  - primary method, 1071
- slot-definition-writers
  - generic function, 1071, 1080
  - primary method, 1072
- slot-exists-p
  - function, 912
- slot-makunbound
  - function, 912
- slot-makunbound-using-class
  - generic function, 1081
  - primary method, 1081
- slot-missing
  - generic function, 913
  - primary method, 913
- slot-unbound
  - generic function, 913
  - primary method, 914
- slot-value
  - function, 914
- slot-value-using-class
  - generic function, 1082
  - primary method, 1082
- software-type
  - function, 734
- software-version
  - function, 734
- some
  - function, 401
- sort
  - function, 413
- sorting, 413
- special-operator-p
  - function, 125
- specializer-direct-generic-functions
  - generic function, 1083
  - primary method, 1083
- specializer-direct-methods
  - generic function, 1083
  - primary method, 1084
- sqrt
  - function, 305
- stable-sort
  - function, 413
- standard-char-p

- function, 385
- standard-instance-access
  - function, 1084
- step
  - macro, 724
- storage-condition
  - type, 980
- store-value
  - function, 975
- stream-element-type
  - function, 519
- stream-error
  - type, 982
- stream-error-stream
  - function, 982
- stream-external-format
  - function, 522
- streamp
  - function, 518
- string
  - function, 475
- string-capitalize
  - function, 474
- string-downcase
  - function, 474
- string-equal
  - function, 471
- string-greaterp
  - function, 472
- string-left-trim
  - function, 473
- string-lessp
  - function, 472
- string-not-equal
  - function, 472
- string-not-greaterp
  - function, 472
- string-not-lessp
  - function, 472
- string-right-trim
  - function, 473
- string-trim
  - function, 473
- string-upcase
  - function, 474
- string/=
  - function, 472
- string<
  - function, 471
- string<=
  - function, 471
- string=
  - function, 470
- string>
  - function, 471
- string>=
  - function, 472
- stringp
  - function, 104
- sublis
  - function, 431
- subseq
  - function, 398
- subsetp
  - function, 437
- subst
  - function, 430
- subst-if
  - function, 430
- subst-if-not
  - function, 430
- substitute
  - function, 408
- substitute-if
  - function, 408
- substitute-if-not

- function, 408
- substitution, 430
- subtypep
  - function, 99
- sum
  - loop clause, 774
- summing
  - loop clause, 774
- svref
  - function, 455
- sxhash
  - function, 447
- symbol-function
  - function, 123
- symbol-macrolet
  - special operator, 160
- symbol-name
  - function, 254
- symbol-package
  - function, 257
- symbol-plist
  - function, 252
- symbol-value
  - function, 123
- symbolp
  - function, 102
- synonym-stream-symbol
  - function, 521
- t
  - constant, 98
- tagbody
  - special operator, 178
- tailp
  - function, 433
- tan
  - function, 308
- tanh
  - function, 311
- tenth
  - function, 422
- terpri
  - function, 604
- the
  - special operator, 246
- thereis
  - loop clause, 767
- third
  - function, 421
- throw
  - special operator, 197
- time
  - macro, 724
- trace
  - macro, 723
- translate-logical-pathname
  - function, 667
- translate-pathname
  - function, 659
- tree-equal
  - function, 419
- truename
  - function, 676
- truncate
  - function, 361
- two-way-stream-input-stream
  - function, 521
- two-way-stream-output-stream
  - function, 521
- type-error
  - type, 980
- type-error-datum
  - function, 980
- type-error-expected-type
  - function, 980
- type-of
  - function, 67

- typecase
  - macro, 165
- typep
  - function, 98
- unbound-variable
  - type, 983
- undefined-function
  - type, 983
- unexport
  - function, 279
- unintern
  - function, 279
- union
  - function, 434
- unless
  - loop clause, 781
  - macro, 162
- unread-char
  - function, 597
- until
  - loop clause, 767
- untrace
  - macro, 723
- unuse-package
  - function, 281
- unwind protection, 192
- unwind-protect
  - special operator, 192
- update-dependent
  - generic function, 1085
- update-instance-for-different-class
  - generic function, 915
  - primary method, 915
- update-instance-for-redefined-class
  - generic function, 916
  - primary method, 916
- upgraded-array-element-type
  - function, 68
- upgraded-complex-part-type
  - function, 69
- upper-case-p
  - function, 386
- use-package
  - function, 281
- use-value
  - function, 975
- user-homedir-pathname
  - function, 682
- validate-superclass
  - generic function, 1086
  - primary method, 1086
- values
  - function, 186
- values-list
  - function, 187
- variable-information
  - function, 216
- vector
  - function, 454
- vector-pop
  - function, 464
- vector-push
  - function, 463
- vector-push-extend
  - function, 463
- vectorp
  - function, 104
- warn
  - function, 973
- warning
  - type, 978
- when
  - loop clause, 781
  - macro, 162
- while

- loop clause, 767
- wild-pathname-p
  - function, 658
- with
  - loop clause, 779
- with-accessors
  - macro, 919
- with-compilation-unit
  - macro, 710
- with-condition-restarts
  - macro, 970
- with-hash-table-iterator
  - macro, 445
- with-input-from-string
  - macro, 517
- with-open-file
  - macro, 688
- with-open-stream
  - macro, 516
- with-output-to-string
  - macro, 517
- with-package-iterator
  - macro, 287
- with-simple-restart
  - macro, 962
- with-slots
  - macro, 920
- with-standard-io-syntax
  - macro, 589
- write
  - function, 602
- write-byte
  - function, 606
- write-char
  - function, 604
- write-line
  - function, 604
- write-sequence
  - function, 604
- write-string
  - function, 604
- write-to-string
  - function, 603
- writer-method-class
  - generic function, 1087
  - primary method, 1087
- y-or-n-p
  - function, 640
- yes-or-no-p
  - function, 640
- zerop
  - function, 295





# Colophon

Camera-ready copy for this book was created by the author (using  $\text{T}_{\text{E}}\text{X}$ ,  $\text{L}_{\text{A}}\text{T}_{\text{E}}\text{X}$ , and  $\text{T}_{\text{E}}\text{X}$  macros written by the author), proofed on an Apple Laser-Writer II, and printed on a Linotron 300 at Advanced Computer Graphics. The text of the first edition was converted from Scribe format to  $\text{T}_{\text{E}}\text{X}$  format by a throwaway program written in Common Lisp. The diagrams in chapter 12 were generated automatically as PostScript code (by a program written in Common Lisp) and integrated into the text by Textures, an implementation of  $\text{T}_{\text{E}}\text{X}$  by Blue Sky Research for the Apple Macintosh computer.

The body type is 10-point Times Roman. Chapter titles are in ITC Eras Demi; running heads and chapter subtitles are in ITC Eras Book. The monospace typeface used for program code in both displays and running text is 8.5-point Letter Gothic Bold, somewhat modified by the author through  $\text{T}_{\text{E}}\text{X}$  macros for improved legibility. The accent grave (‘), accent acute(’), circumflex (^), and tilde (~) characters are in 10-point Letter Gothic Bold and adjusted vertically to match the height of the 8.5-point characters. The hyphen (-) was replaced by an en dash (-). The equals sign (=) was replaced by a construction of two em dashes (=), one raised and one lowered, the better to match the other relational characters. The sharp sign (#) is overstruck with two hyphens, one raised and one lowered, to eliminate the vertical gap (#). Special mathematical characters such as square-root signs are in Computer Modern Math. The typefaces used in this book were digitized by Adobe Systems Incorporated, except for Computer Modern Math, which was designed by Donald E. Knuth.